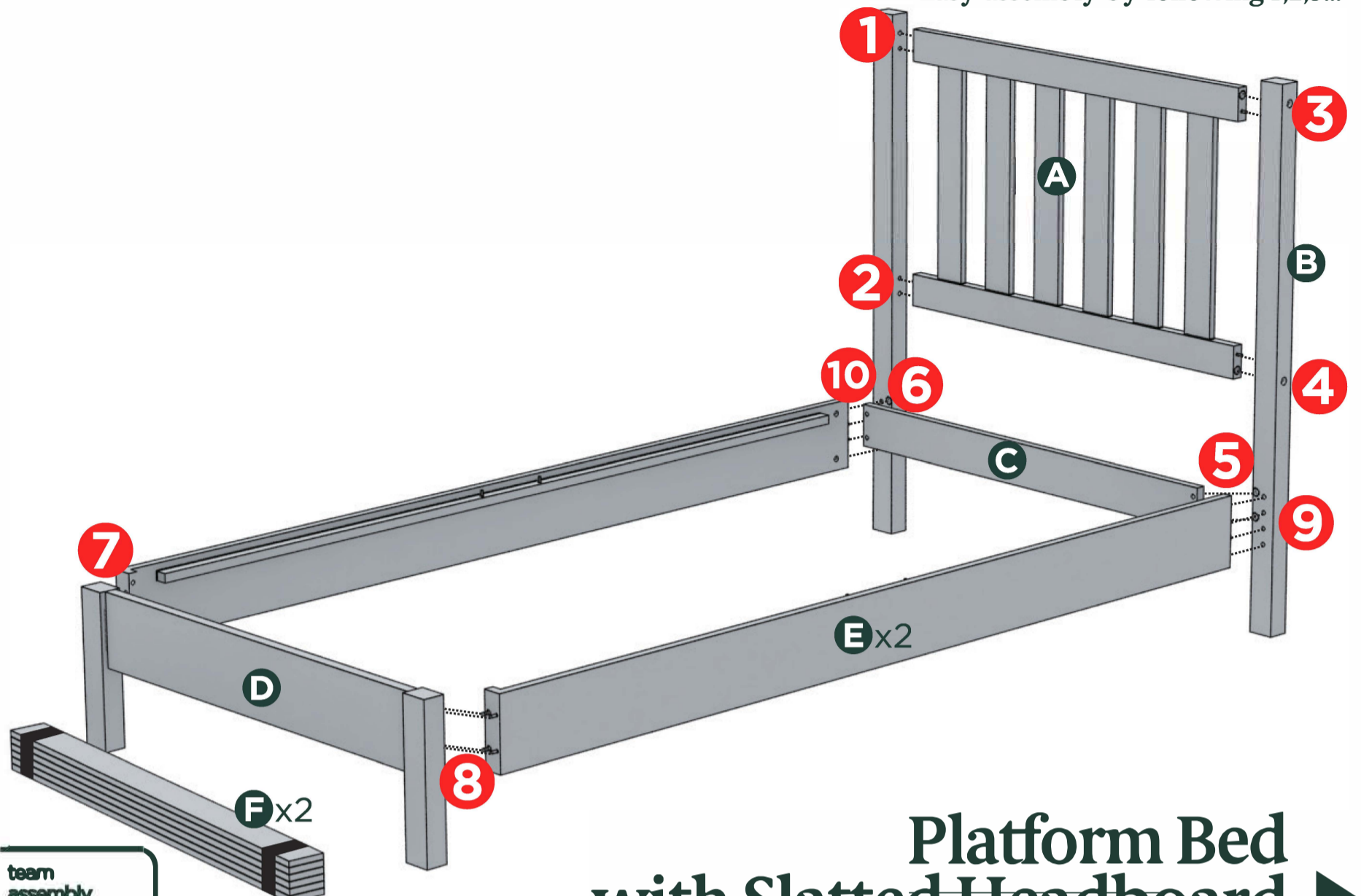


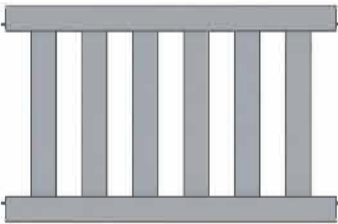









Numbering System

Easy assembly by following 1,2,3...



Platform Bed with Slatted Headboard

Components

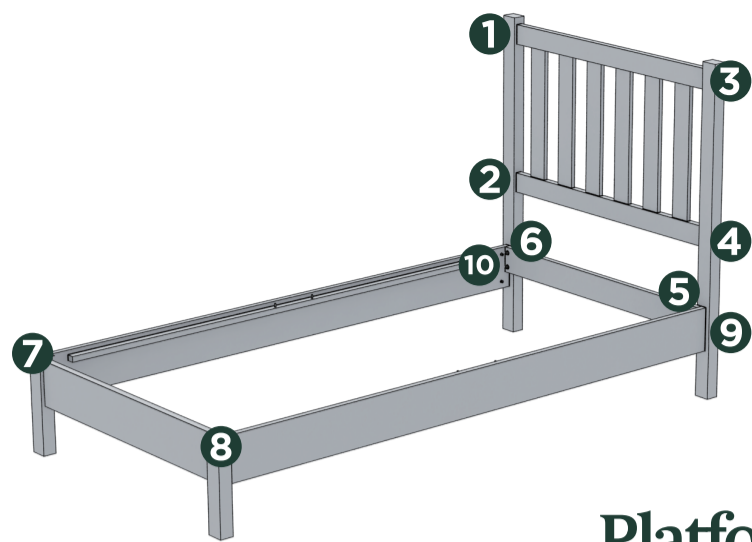
-  **A** x 1 pc
-  **B** x 1 set
-  **C** x 1 pc
-  **D** x 1 pc
-  **E** x 2 pcs
-  **F** x 2 pcs
-  **N** x 8 pcs
-  **M** x 4 pcs
-  **K** x 4 pcs
-  x 1 pc

Easy as 1 2 3

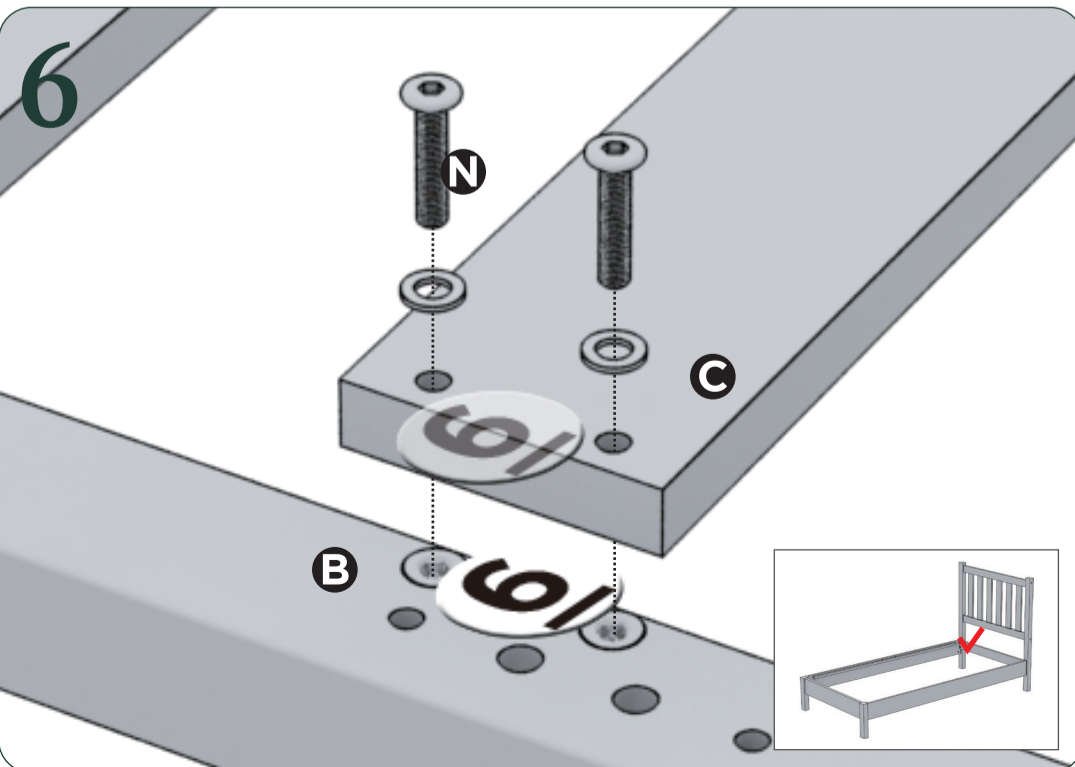
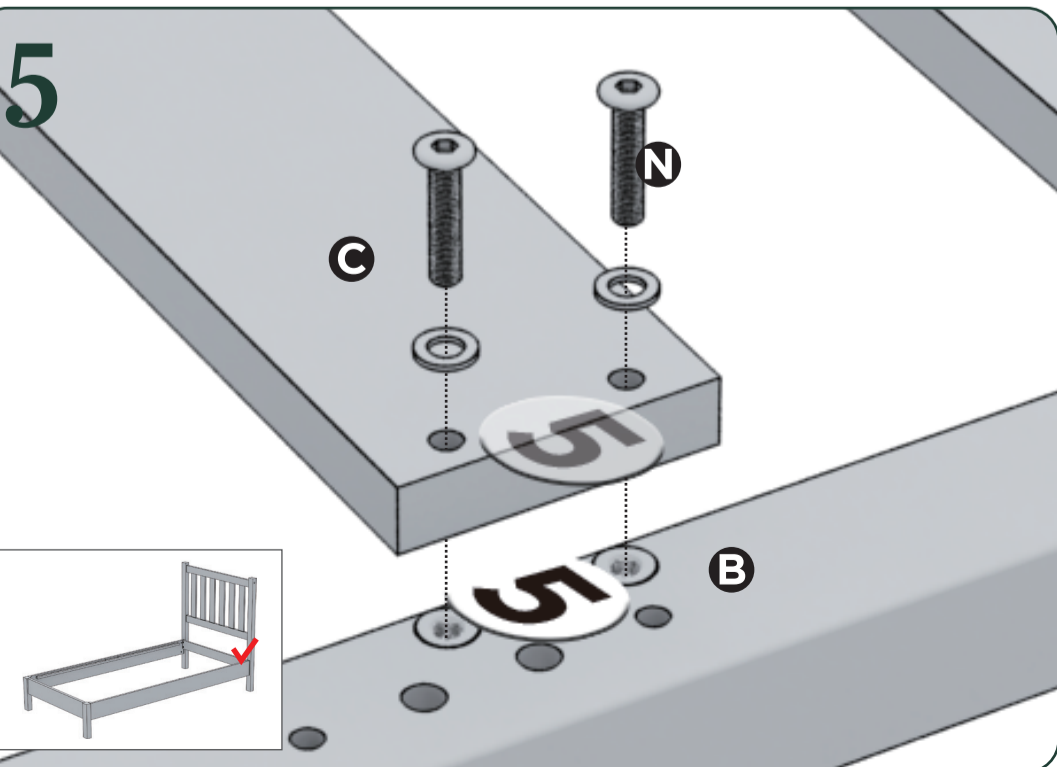
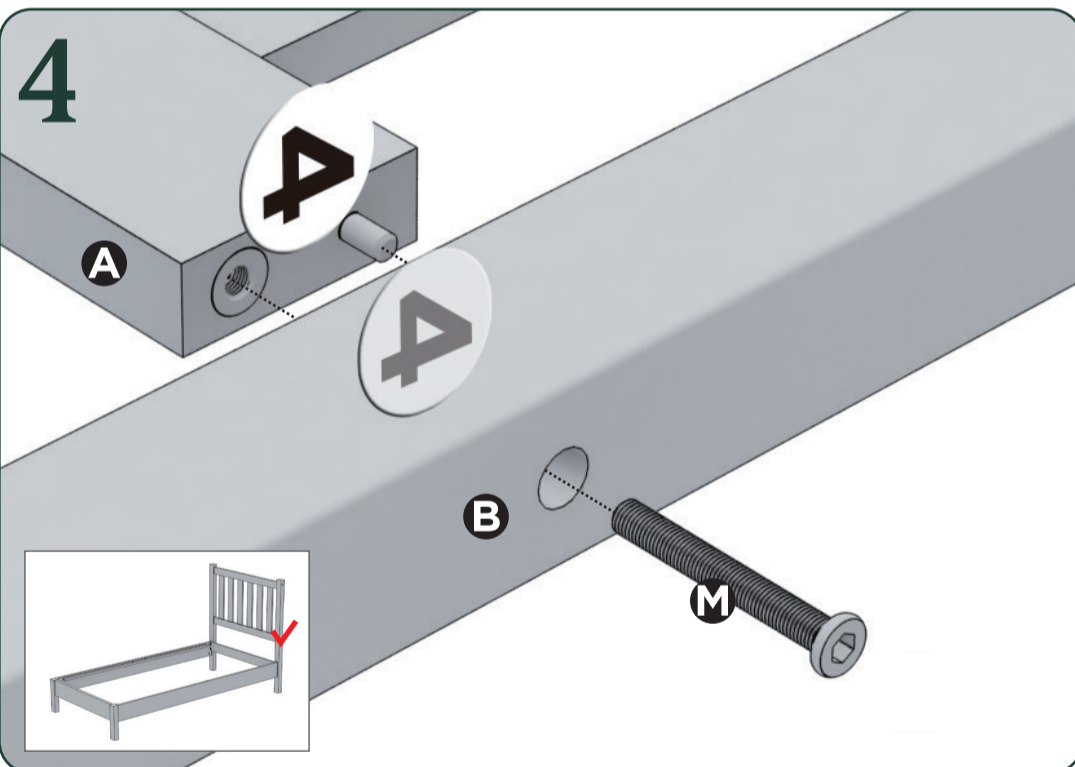
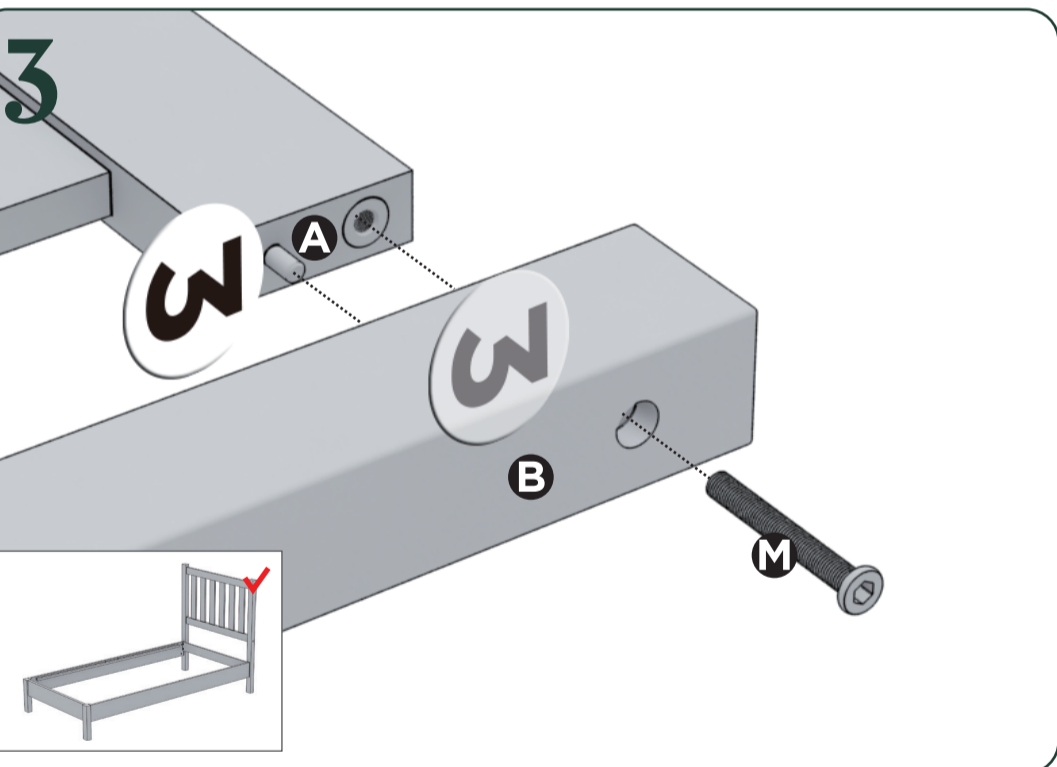
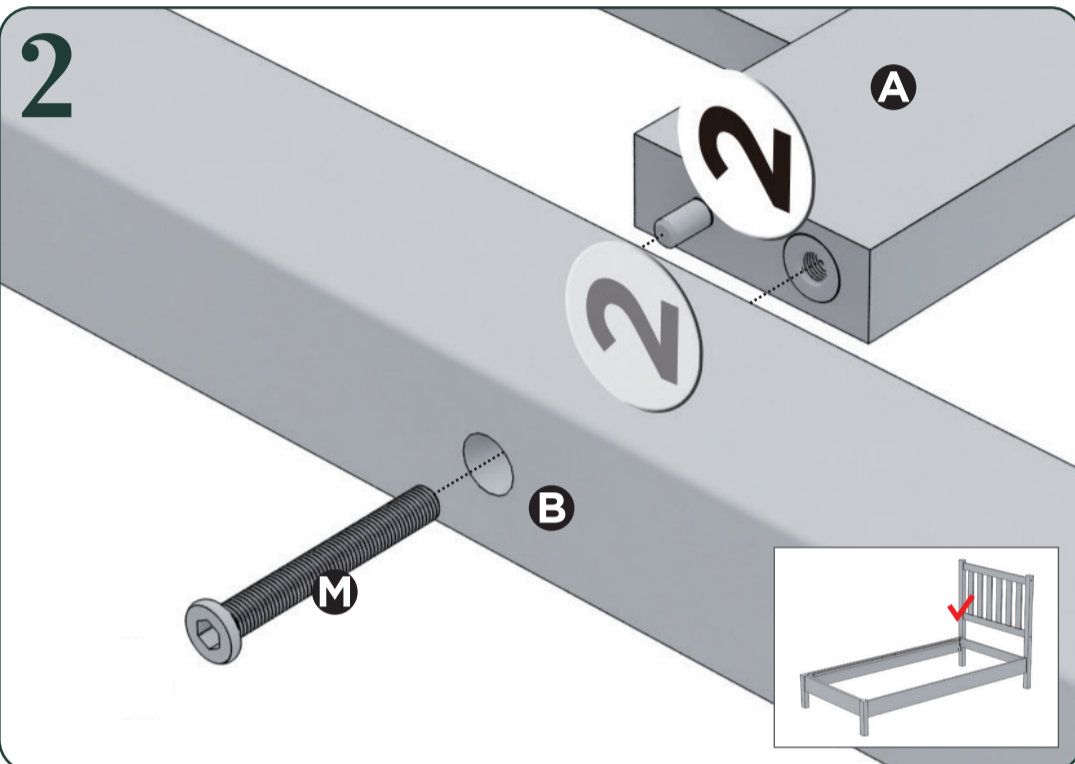
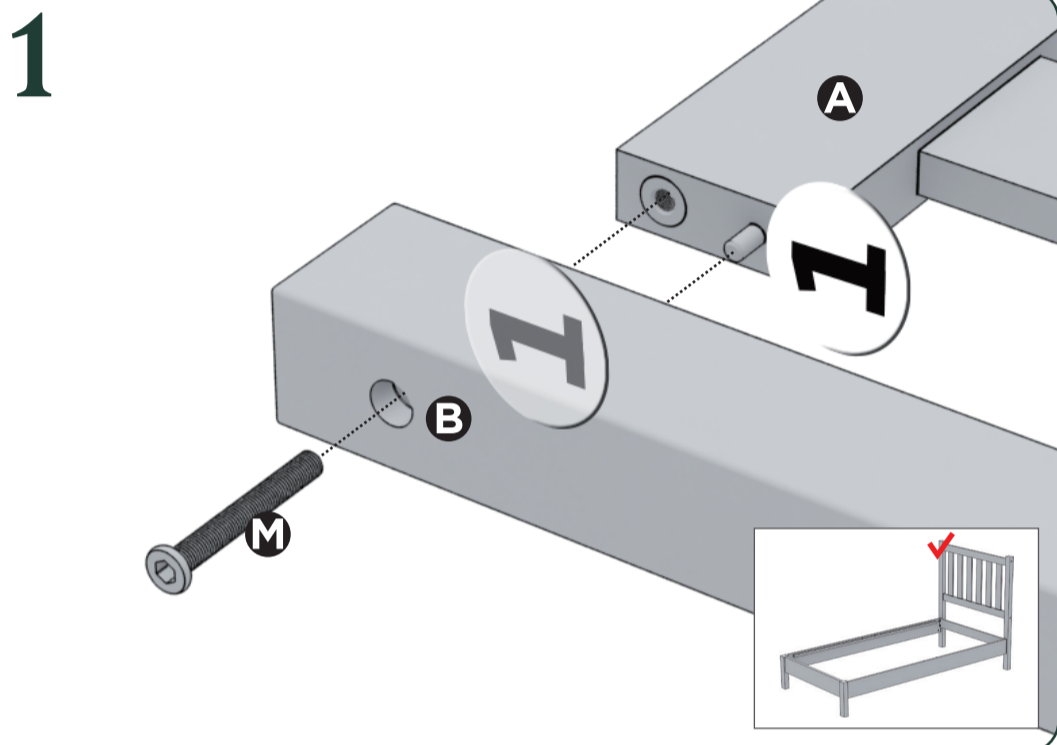
Assembly Instruction

Numbers must Match for Secure Assembly

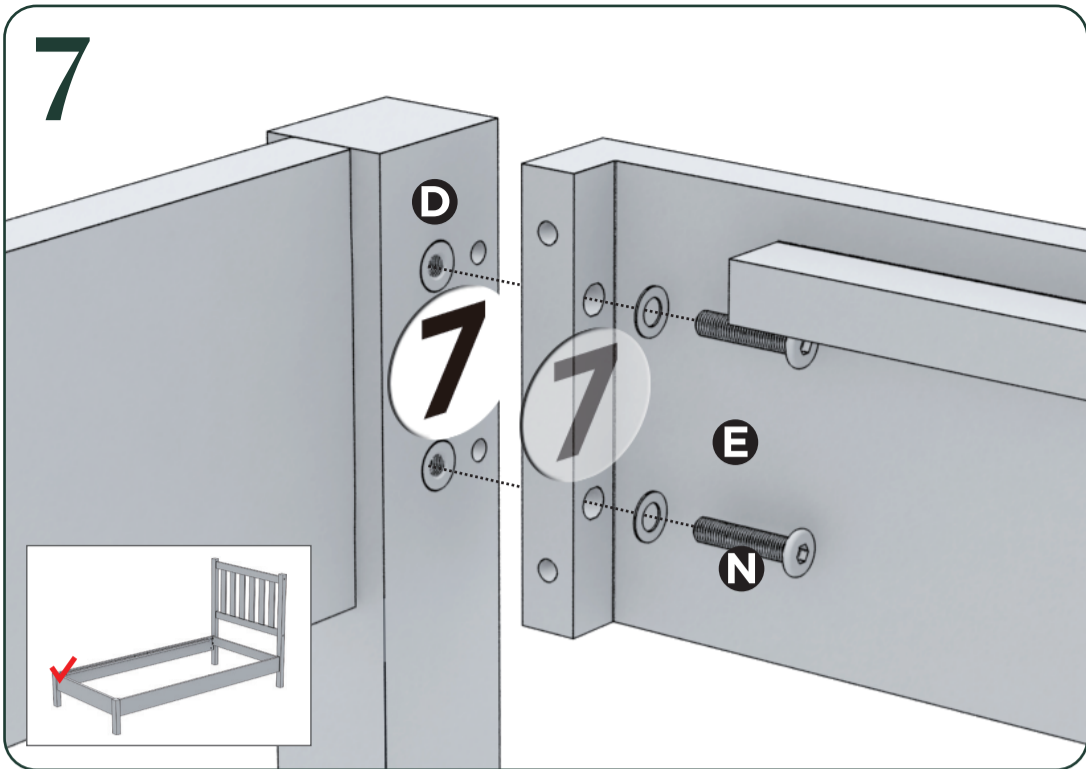
1 2 3 ... 10



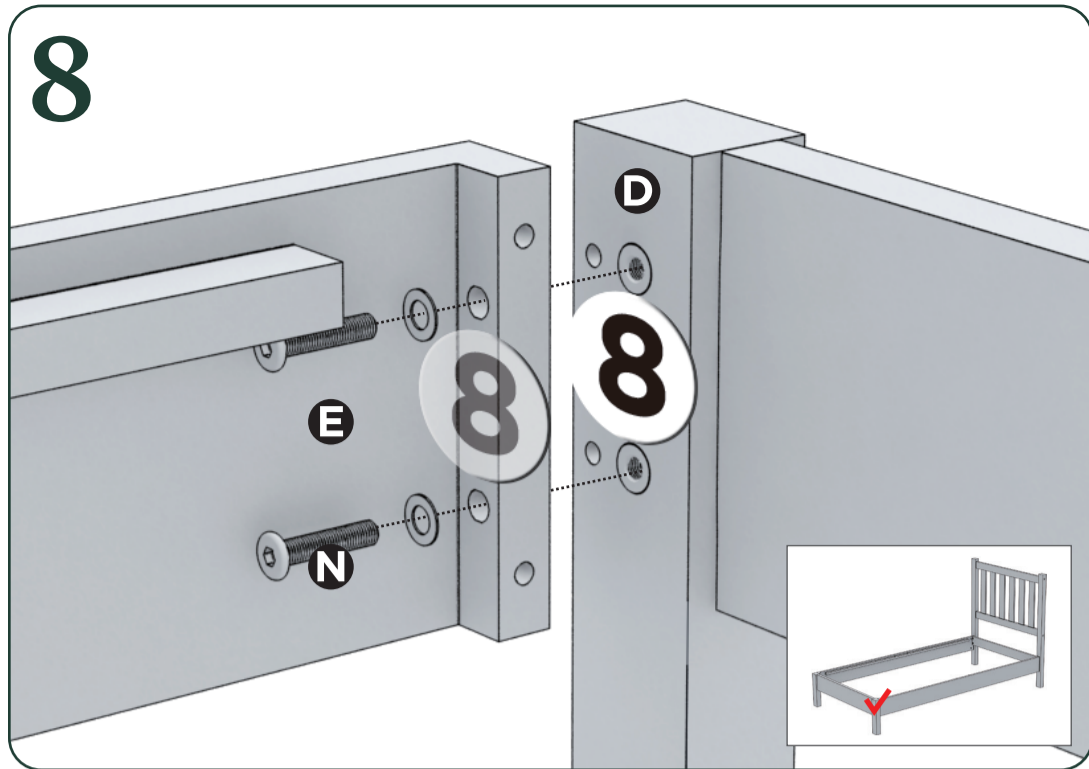
Platform
Bed with Slatted Headboard
T



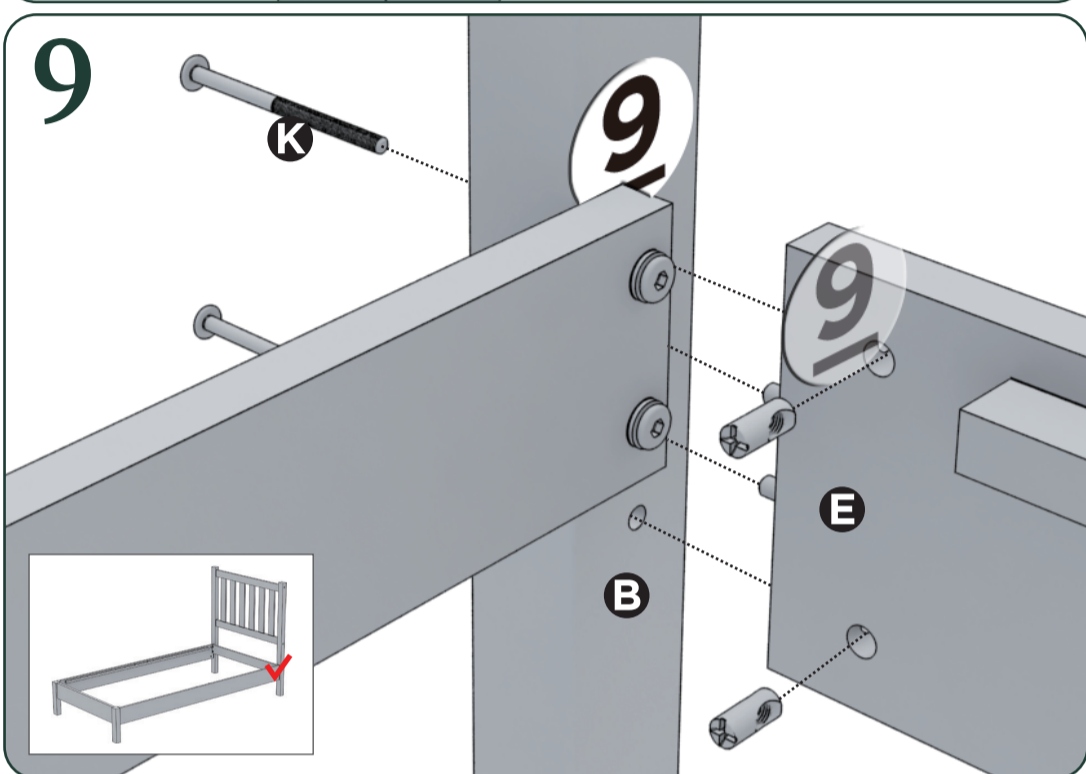
7



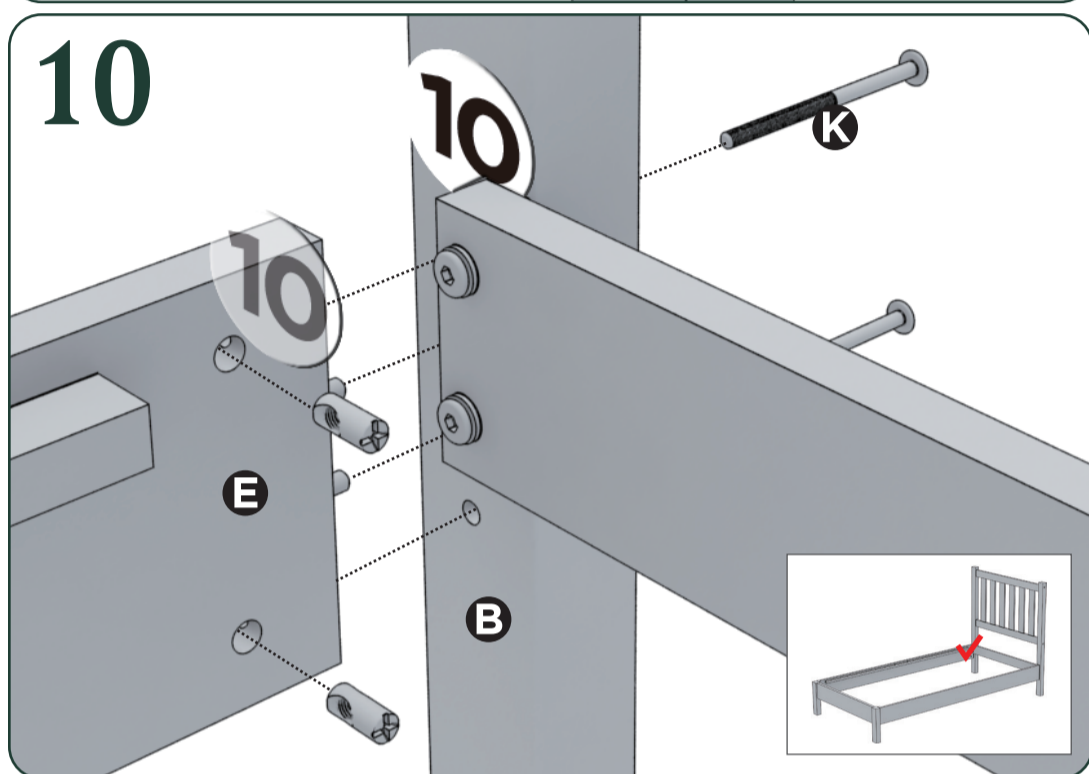
8



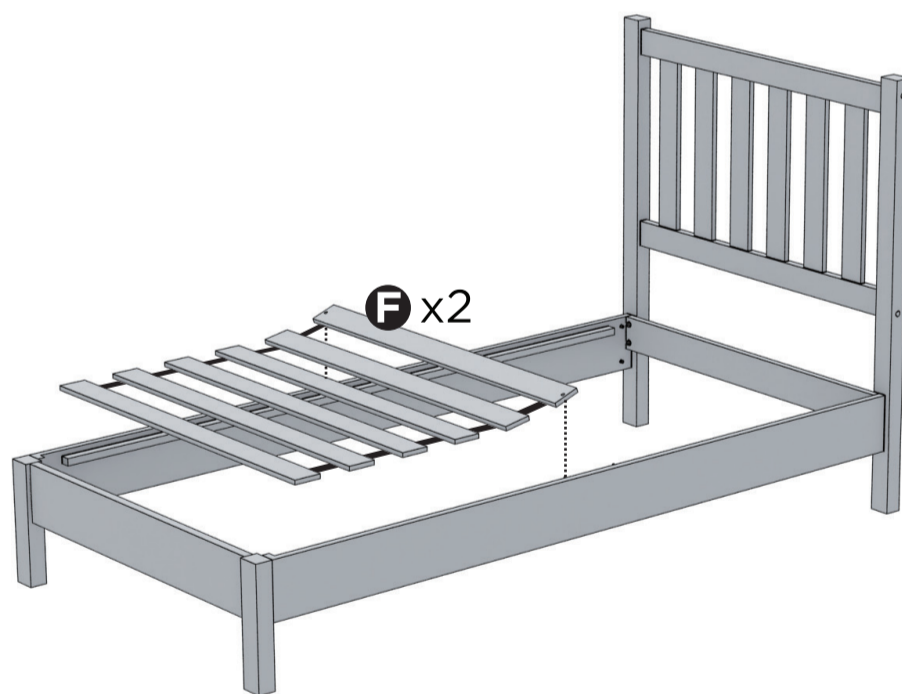
9



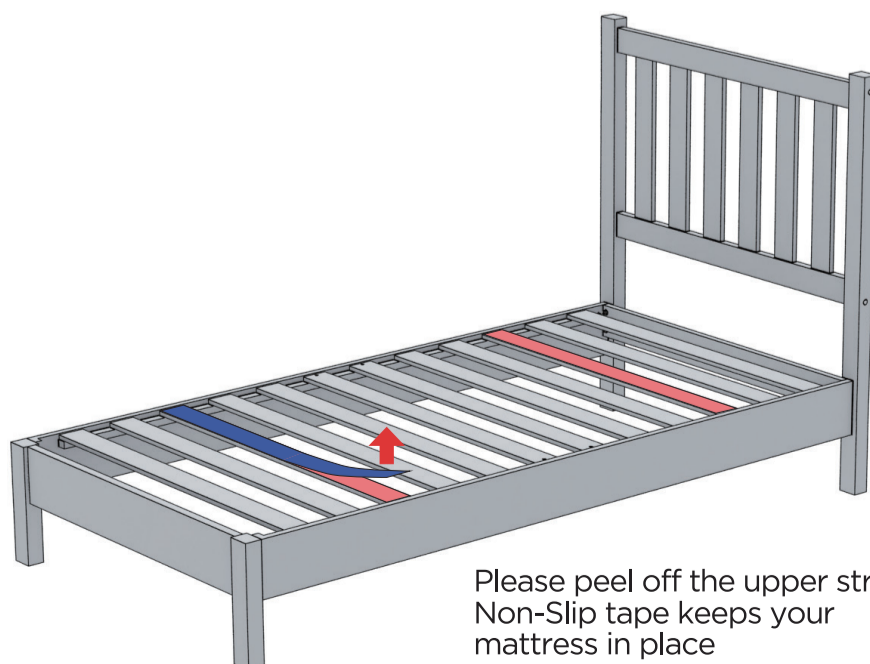
10



11



12



Please peel off the upper strip
Non-Slip tape keeps your
mattress in place