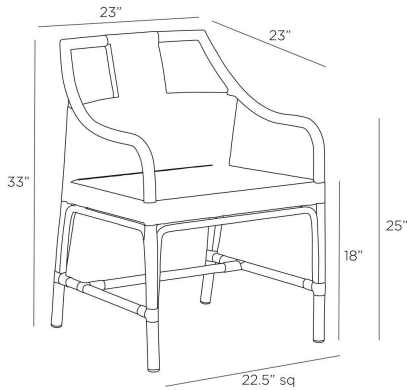


NEWTON OUTDOOR DINING CHAIR



FRS19

H: 33 IN, W: 23 IN, D: 23 IN,

Chartreaux Gray Synthetic Rattan

A casual style of traditional rush-woven synthetic rattan gets a stylish update in element-resistant chartreux gray wicker weave. It features a uniquely designed back detail that resembles a woven tapestry. The matching powder-coated aluminum gray frame is effortlessly balanced for maximum comfort. Finish will vary.

APPEARANCE

Material	Rattan, Aluminum
Material Type	Synthetic, Powder Coated
Finish	Chartreaux Gray, Gray
Finish Will Vary	Yes
Top Coat/Sealant	Yes

DIMENSIONS

Arm	H: 25 IN, W: 1.5 IN, D: 12 IN
Foot Print	W: 22.5 IN, D: 22.5 IN
Seat	H: 18 IN, W: 20 IN, D: 18 IN
Seat Back	H: 16 IN, W: 20 IN, D: 1 IN
Diagonal Dimension	39 IN
Clearance	5.5 IN, 14.5

SHIPPING

Product Weight	14.7 lbs
Gross Weight 1	25 lbs
Shipping Box 1	H: 34.25 IN, L: 25 IN, W: 25 IN

ADDITIONAL INFO

Swatch Number	CGSRBSW, CGSRSW, GPASW
Leg Or Foot Application	Non-Adjustable Nylon Glides

CONTRACT

Contract Suitable	Yes
-------------------	-----