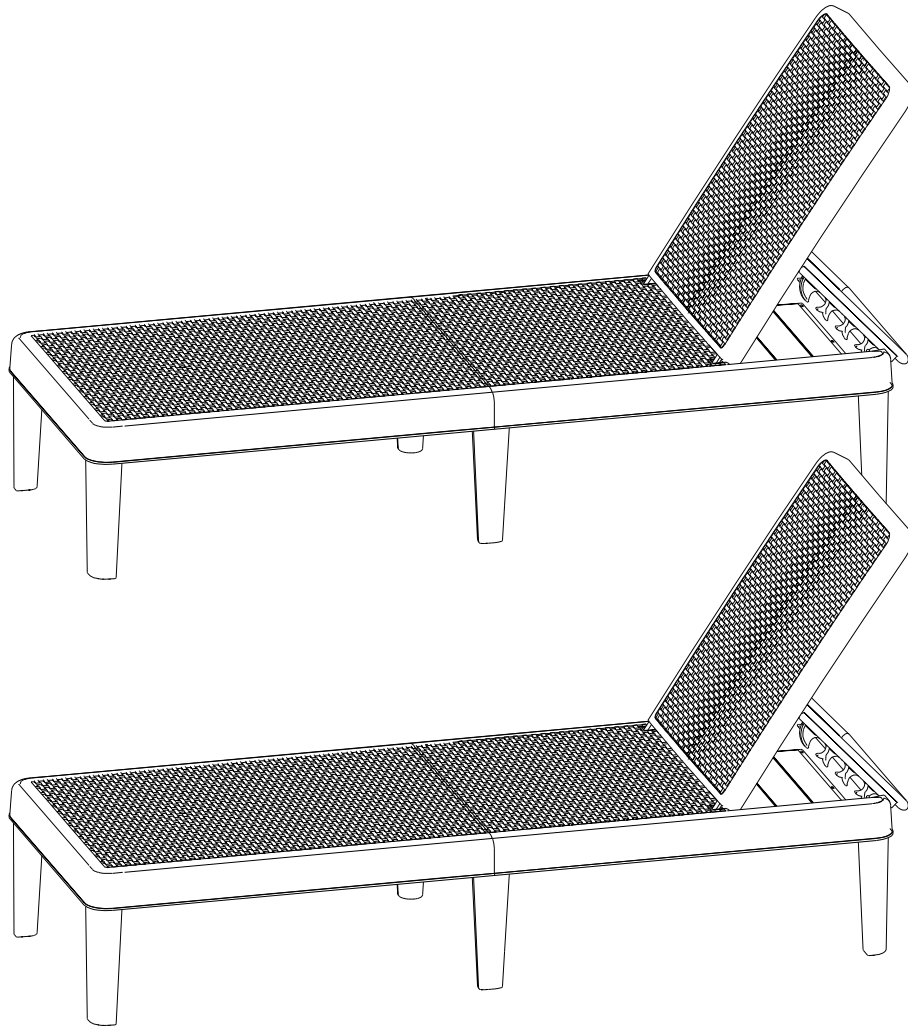




Patio Chaise Lounge



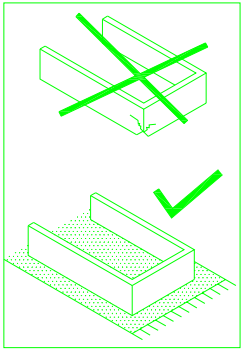
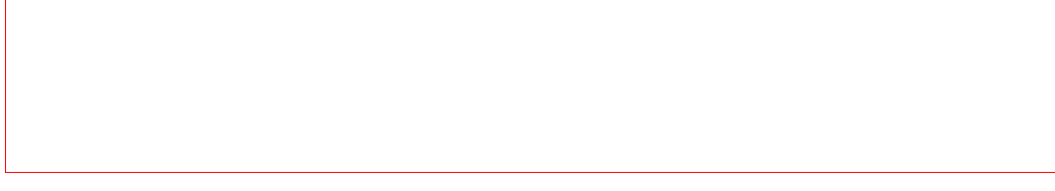
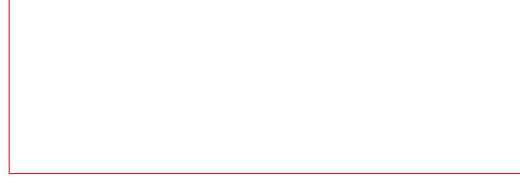
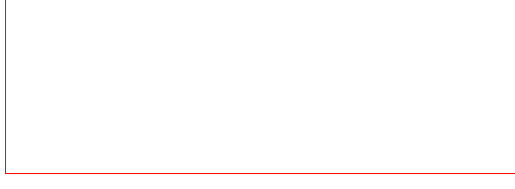
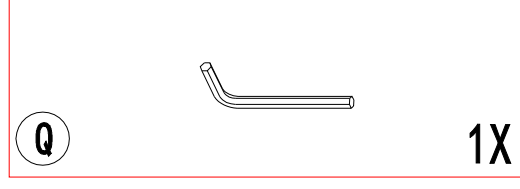
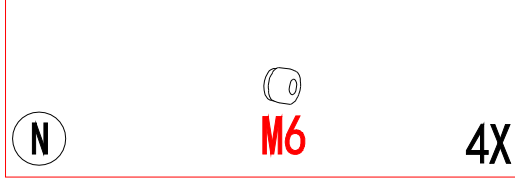
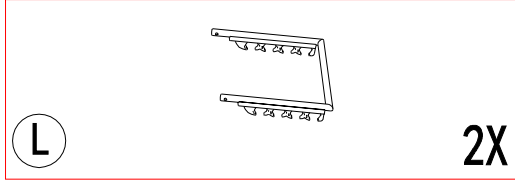
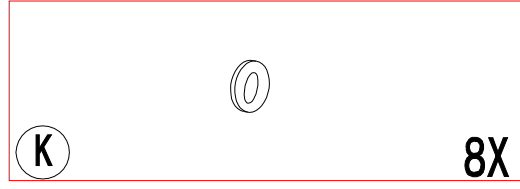
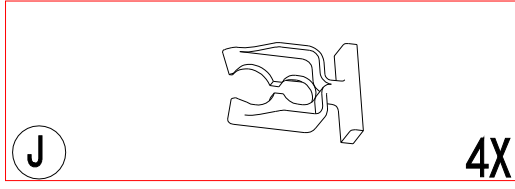
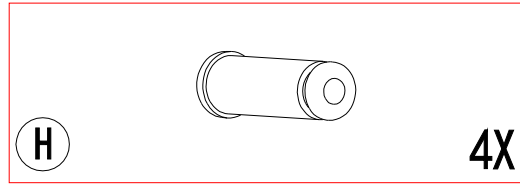
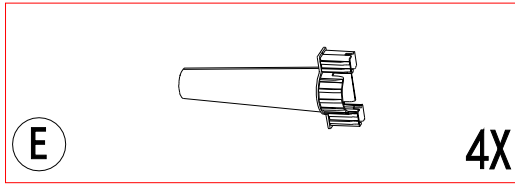
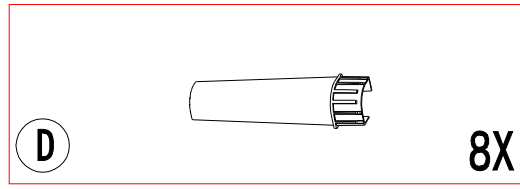
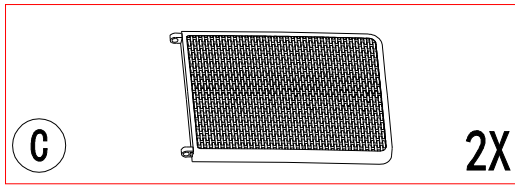
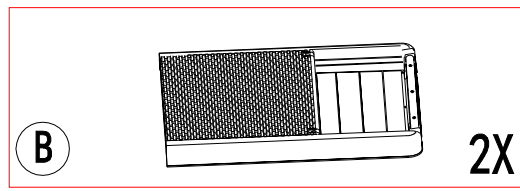
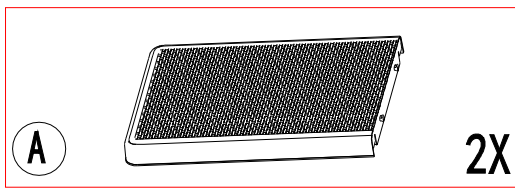
MODEL# :LLDZ0620

Missing part? Damaged? Contact us via email at

service@domioutdoorliving.com

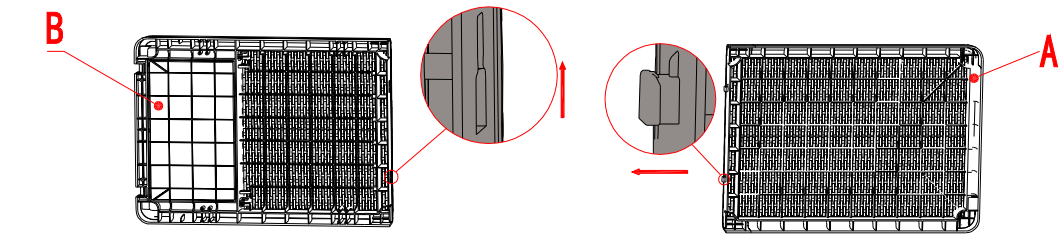
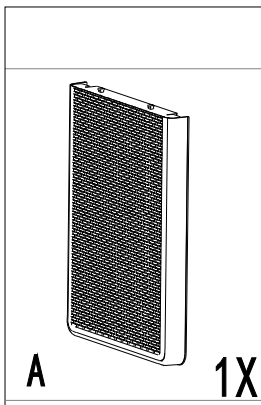
www.domioutdoorliving.com

© Copyright 2023–2025 domioutdoorliving LLC. All Rights Reserved.

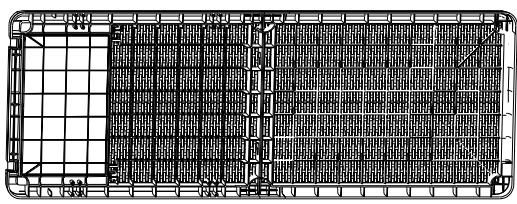
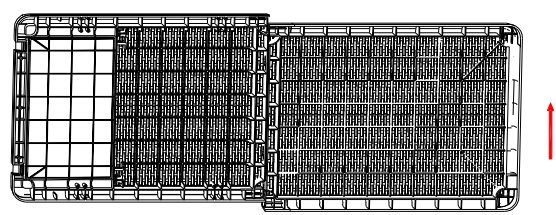
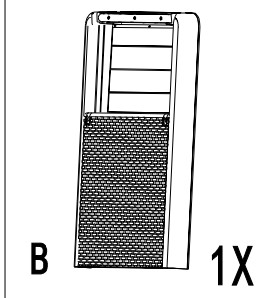


1

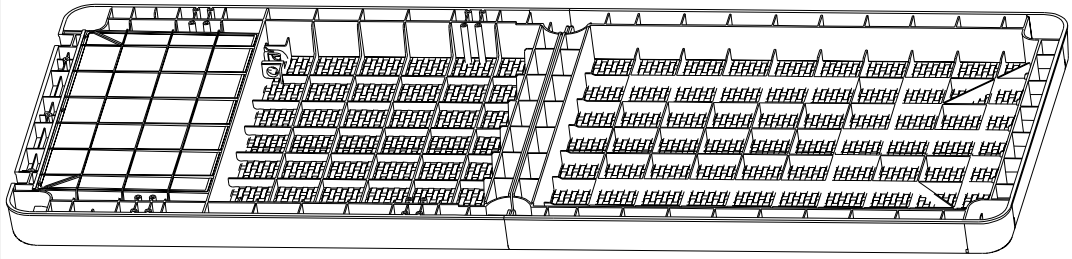
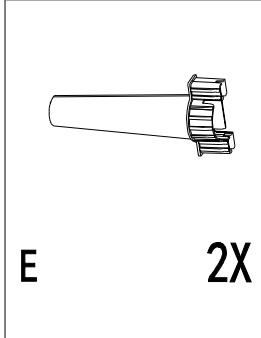
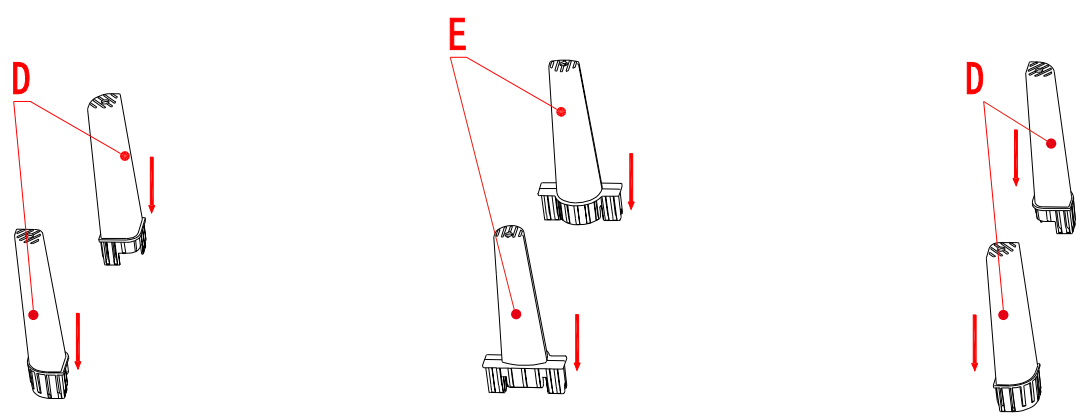
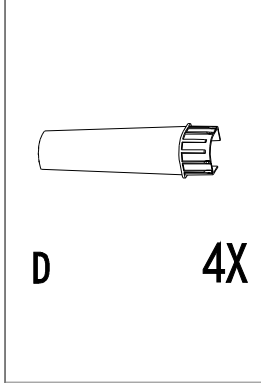
Note: Don't tighten the screws during assembly.
Tighten them all at once after all screws are in place.



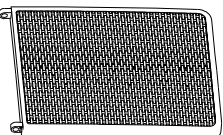
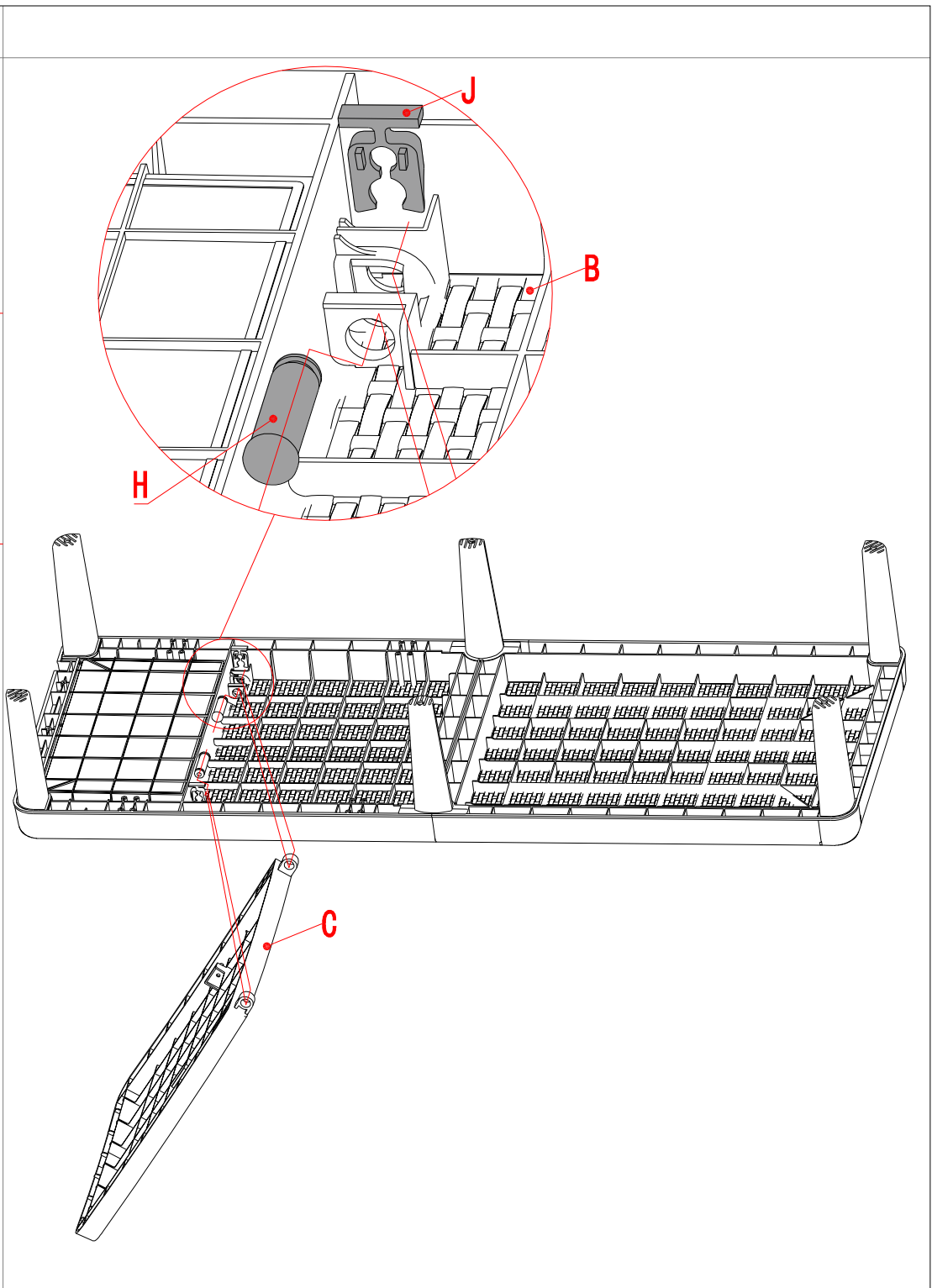
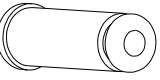
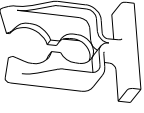
(1) Align chair seat #B with #A as shown, and secure #A to #B from bottom to top.

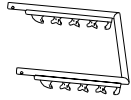


(2) Install 4 chair legs #D and 2 chair legs #E to seat #A & #B as shown.



2

 <p>C 1X</p>	
 <p>H 2X</p>	
 <p>J 2X</p>	
<p>3</p>	<p>Connect chair back #C to chair seat #B, install #H first, and then install #J to fix.</p>



L 1X



M6*45

M 2X



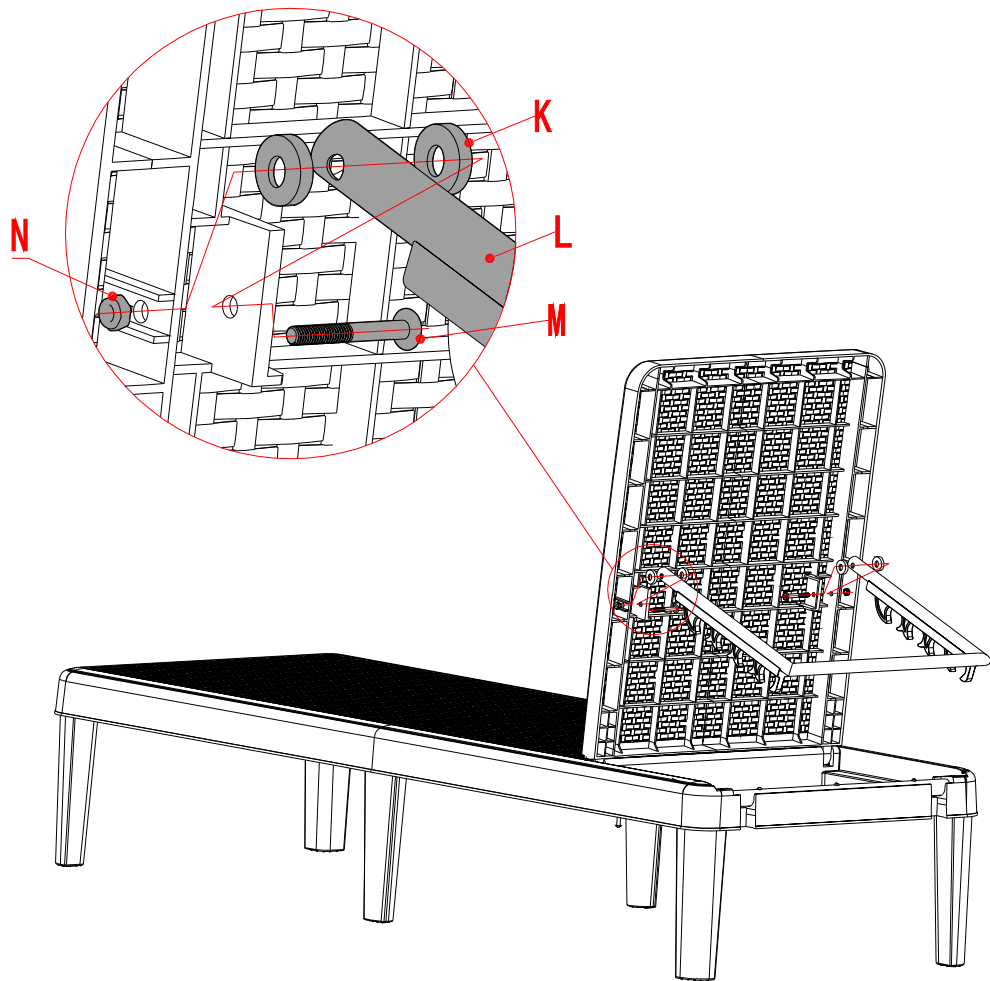
K 4X



M6

N 2X

4



Install #M, #K, #L, and #K on #C in sequence from the inside out, and secure them with #N as shown.

Repeat above procedures to assemble another chair.



Thanks for your purchase.

At domi outdoor living, we believe in our products.

That's why we provide a 12-month warranty and

friendly, easy-to-reach after-sales service. So if you

have any questions about our product and assembly-

,please feel free to contact us. We will be here for you.

Support:  

After-sales contact email:

service@domioutdoorliving.com

Business cooperation contact email:

marketing@domioutdoorliving.com

Please tell us your order ID when contact.

Attach photos of damaged part for instant reply.