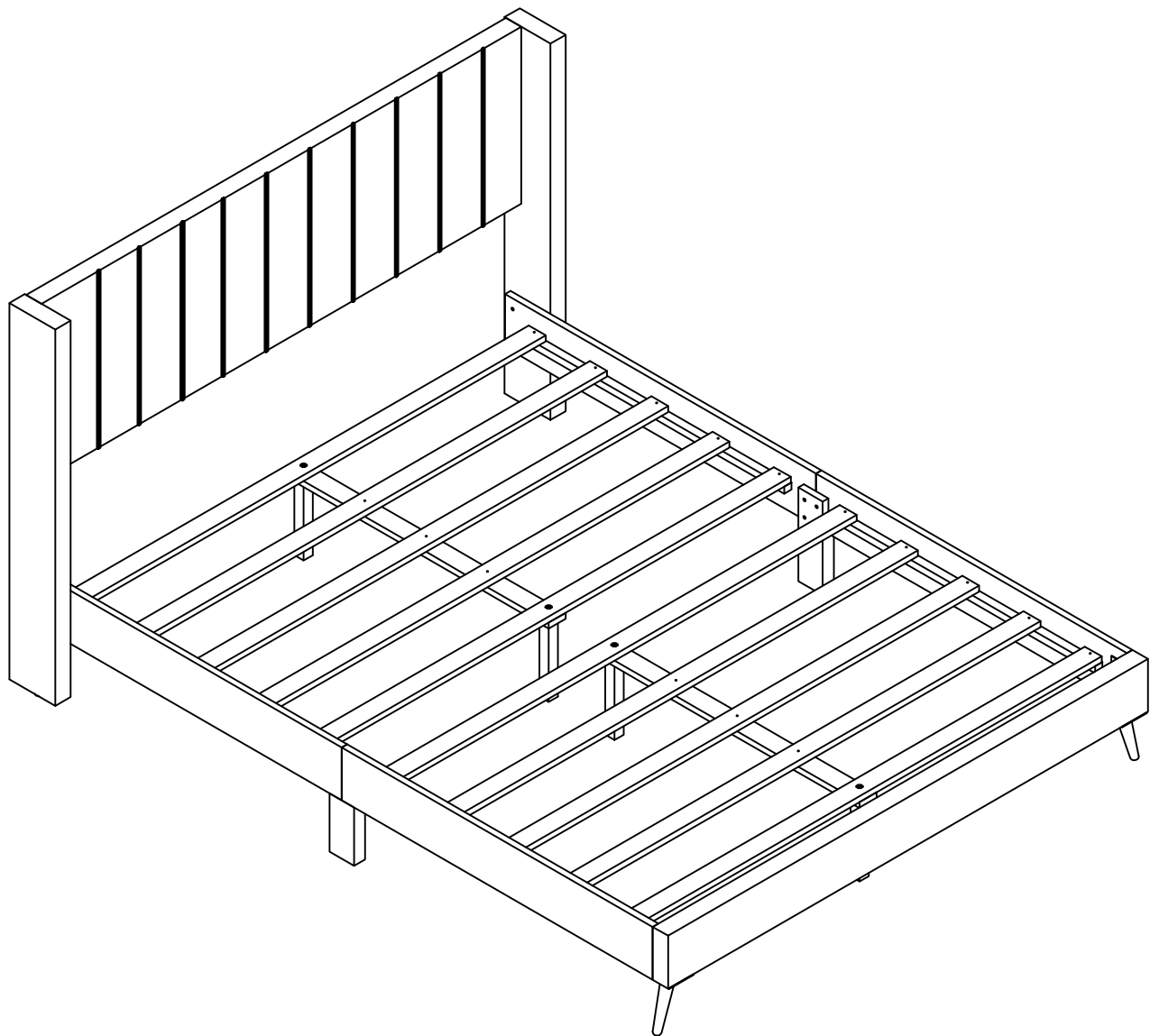
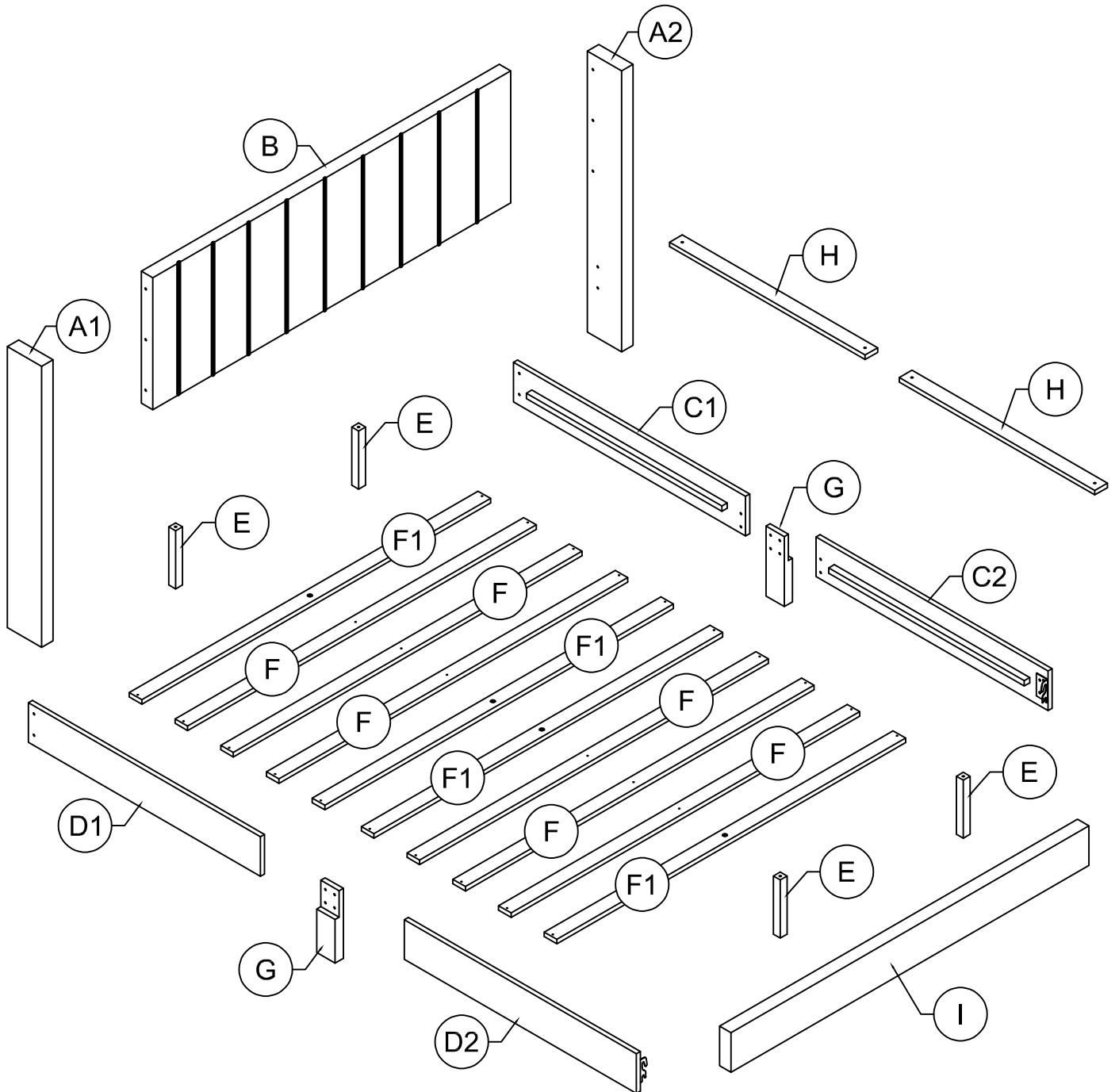


ASSEMBLY INSTRUCTION

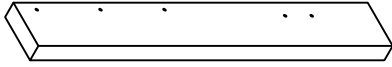


ASSEMBLY INSTRUCTION



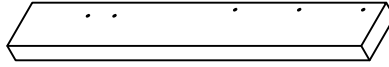
Part List

A1



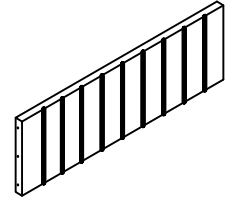
Leg (HB Font) - 1pcs

A2



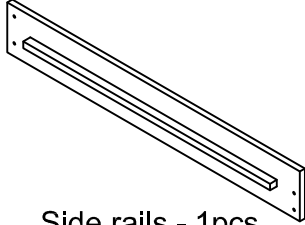
Leg (HB Font) - 1pcs

B



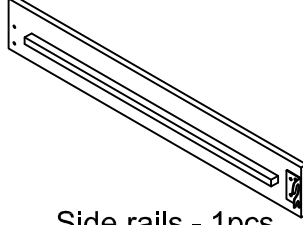
Headboard - 1pcs

C1



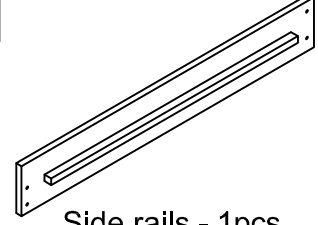
Side rails - 1pcs

C2



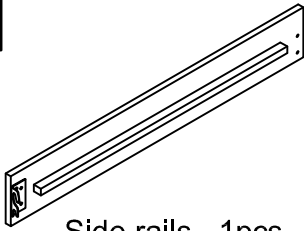
Side rails - 1pcs

D1



Side rails - 1pcs

D2



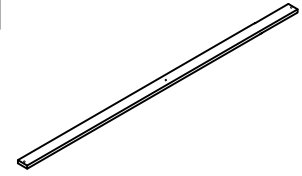
Side rails - 1pcs

E



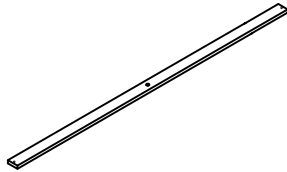
Legs - 4pcs

F



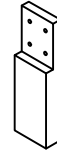
Slats - 6pcs

F1



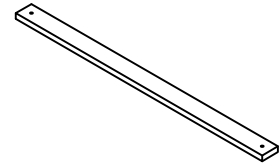
Slats - 4pcs

G



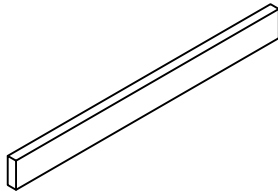
Legs side rails - 2pcs

H



Support bars slats - 2pcs

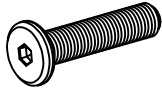
I



Footboard - 1pcs

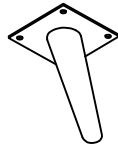
Hardware List

1



1/4" x 50mm
Hex-Head bolts 10pcs

2



Footboard 2pcs

3



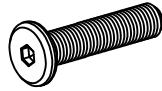
Allen Key 1pcs

4



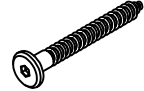
M4 x 20 mm
Wood Screws 8pcs

5



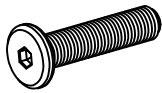
1/4" x 35mm
Hex-Head bolts 12pcs

6



Ø1/4" x 50 mm
Wood Screws 4pcs

7



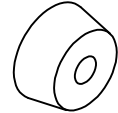
1/4" x 15mm
Hex-Head bolts 2pcs

8

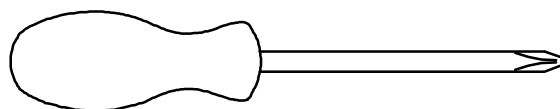


M4 x 30 mm
Wood Screws 26pcs

9

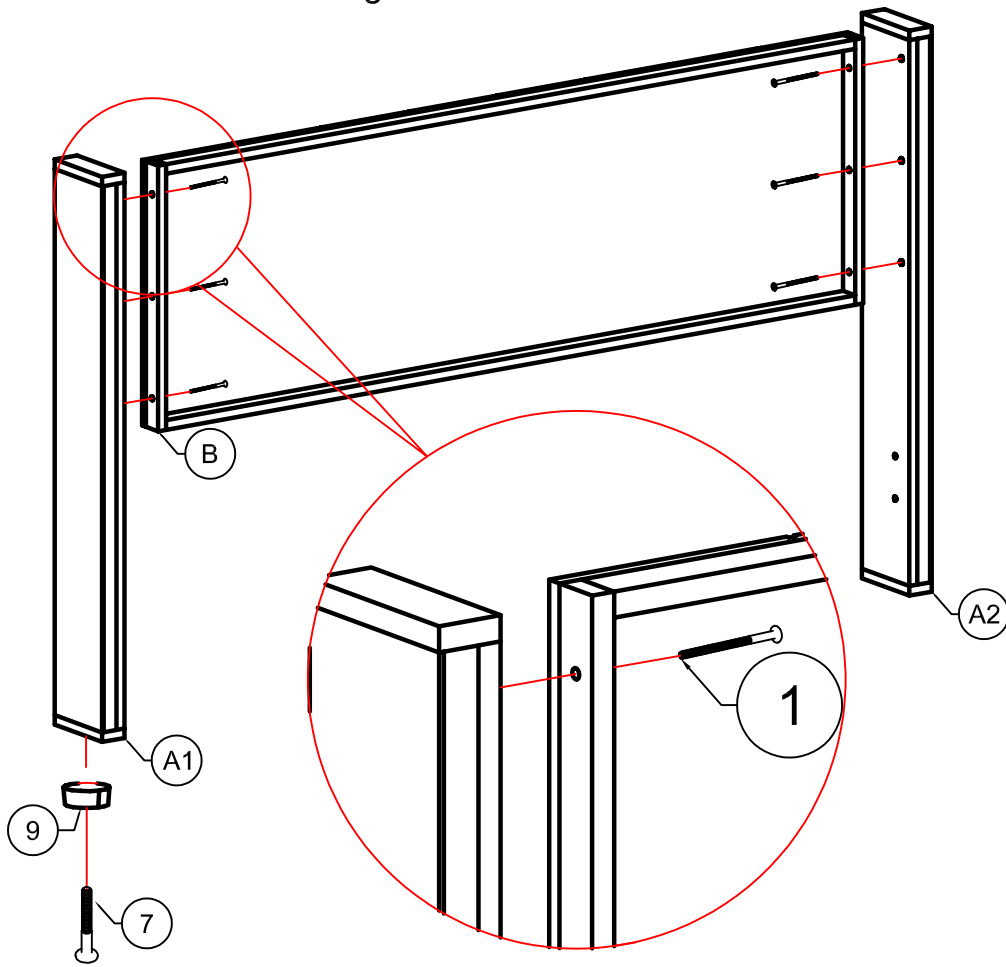



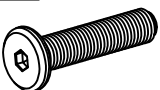
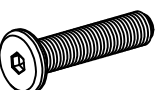
Plastic Feet(Ø32x16)
2pcs



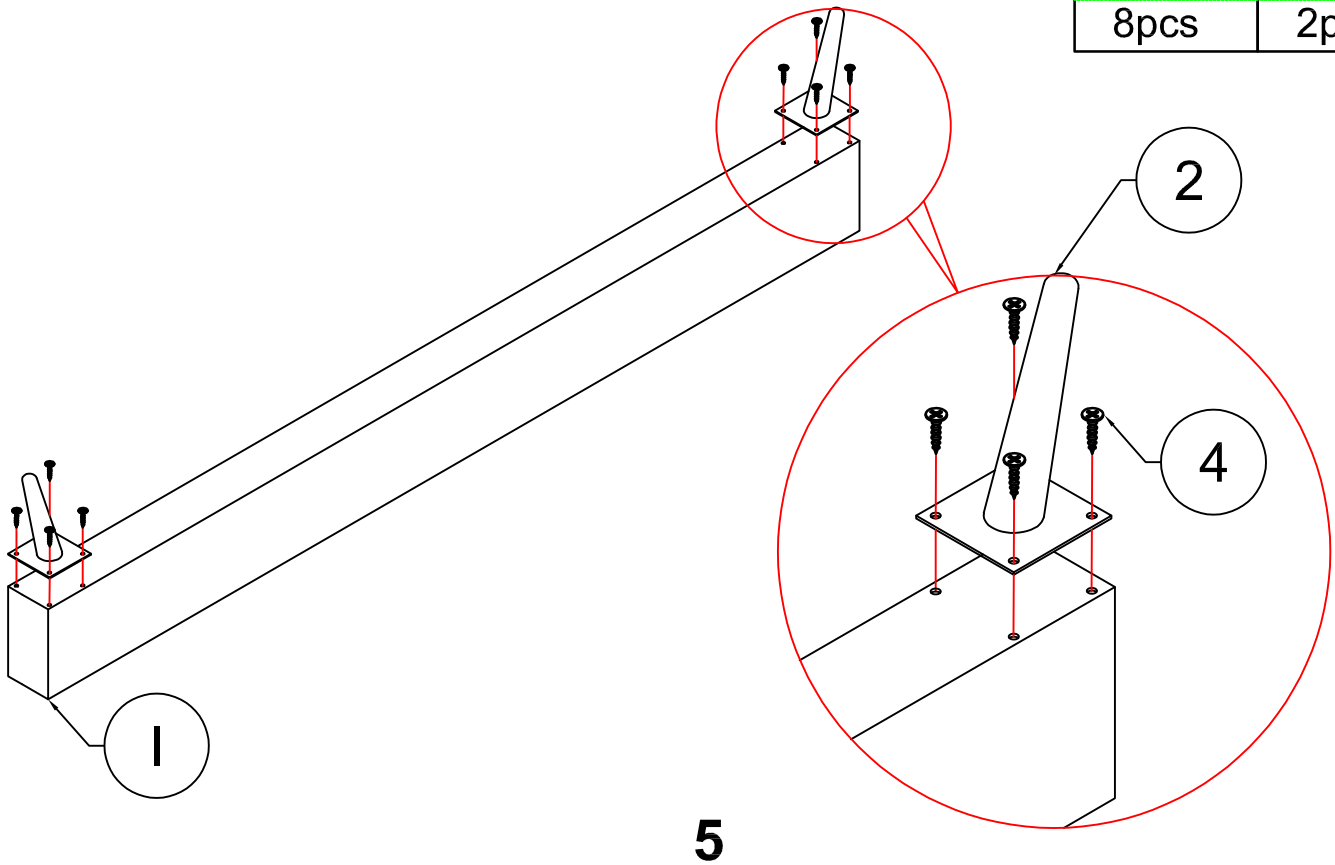
Assembly Tools Required (Not Included)


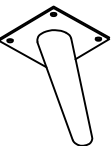
STEP 1: Following below illustration:



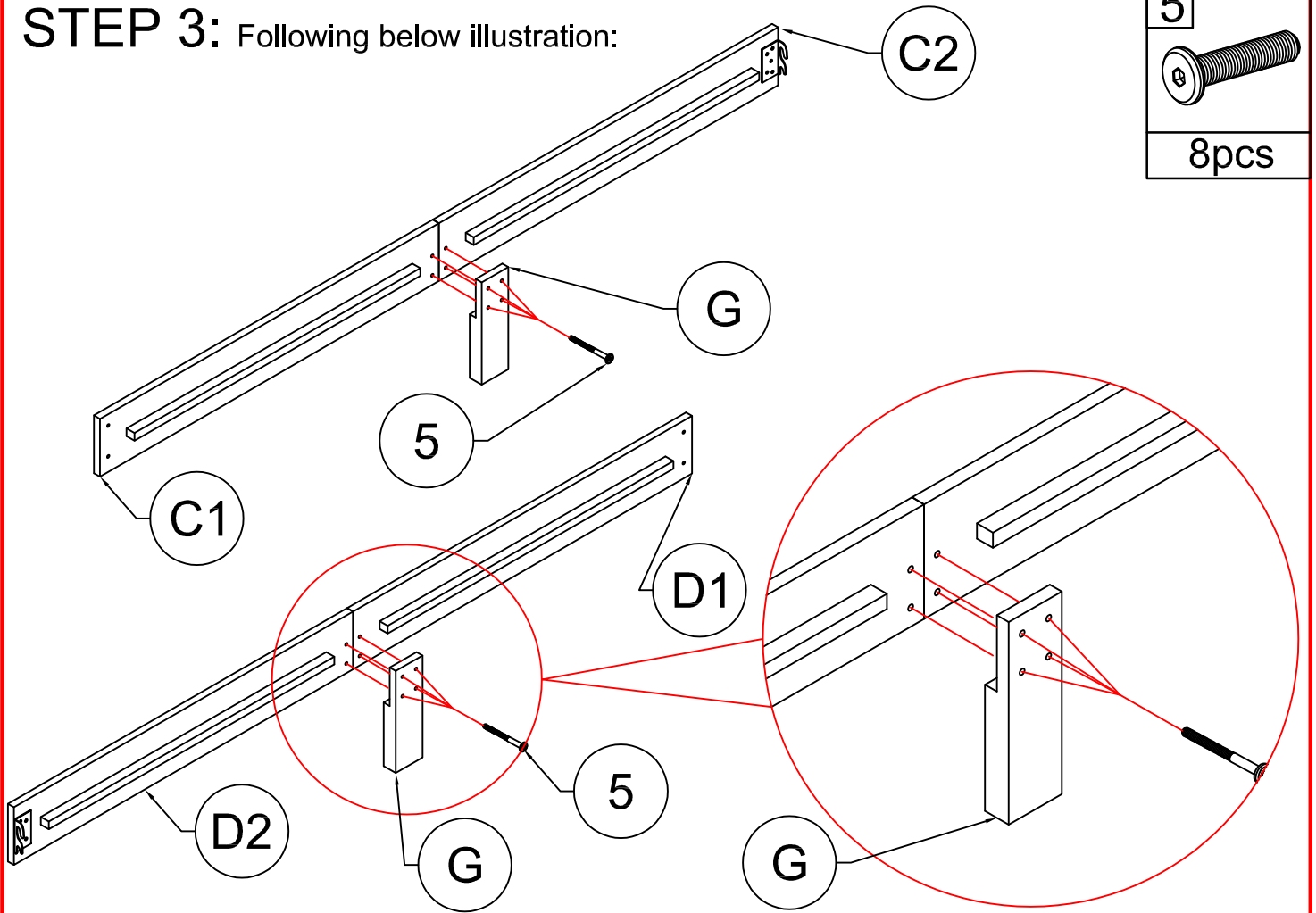
| | | | |
|------|---|------|---|
| 9 |  | 1 |  |
| 2pcs | | 6pcs | |
| | | 7 |  |
| | | 2pcs | |

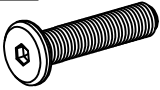
STEP 2: Following below illustration:



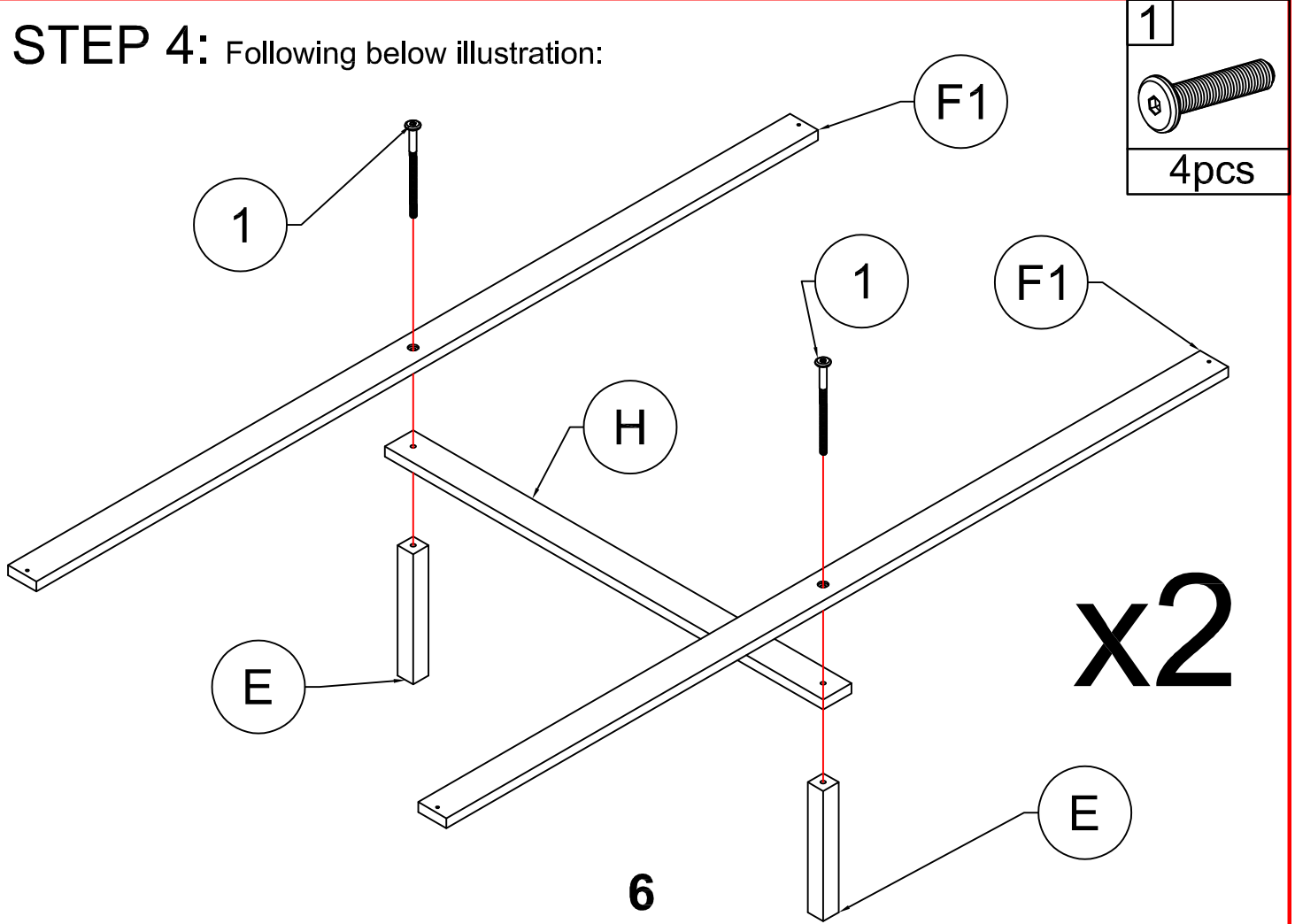
| | | | |
|------|---|------|---|
| 4 |  | 2 |  |
| 8pcs | | 2pcs | |

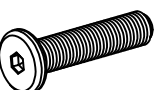
STEP 3: Following below illustration:



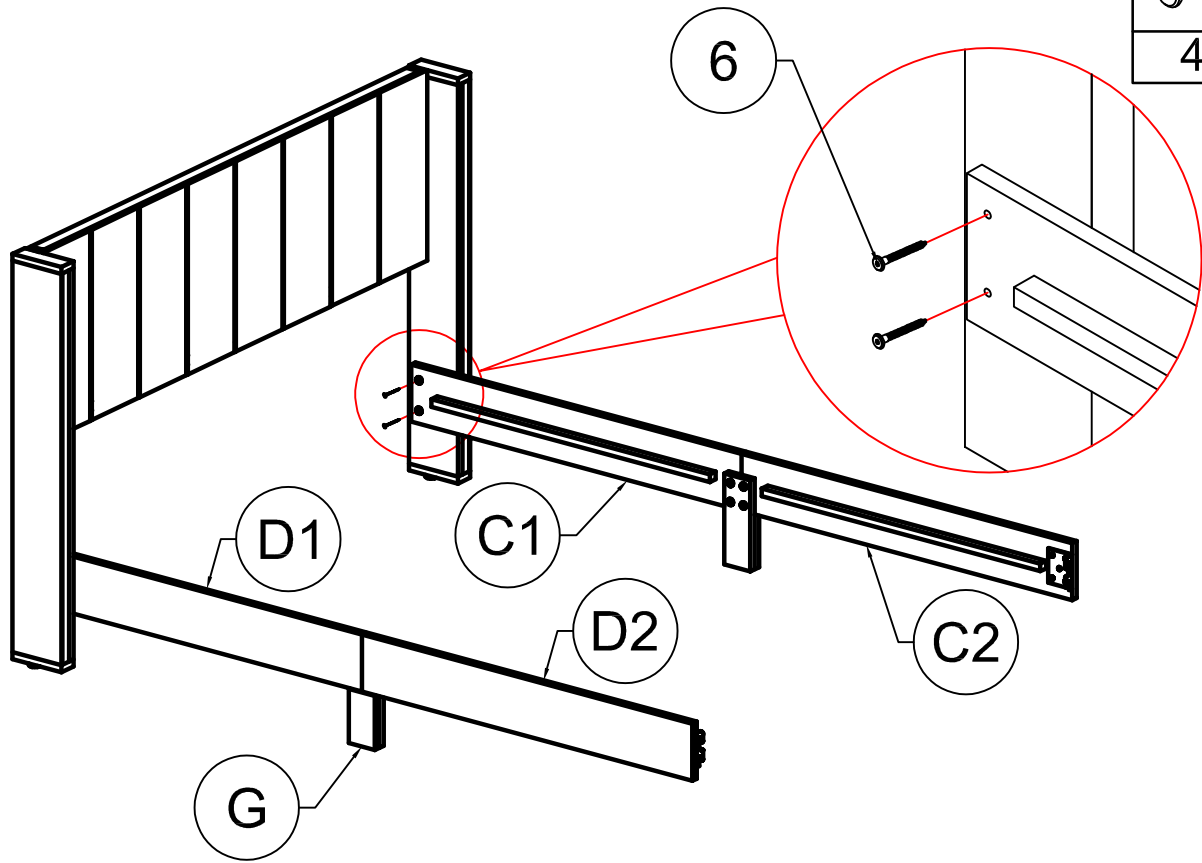
| |
|---|
| 5 |
|  |
| 8pcs |

STEP 4: Following below illustration:



| |
|---|
| 1 |
|  |
| 4pcs |

STEP 5: Following below illustration:

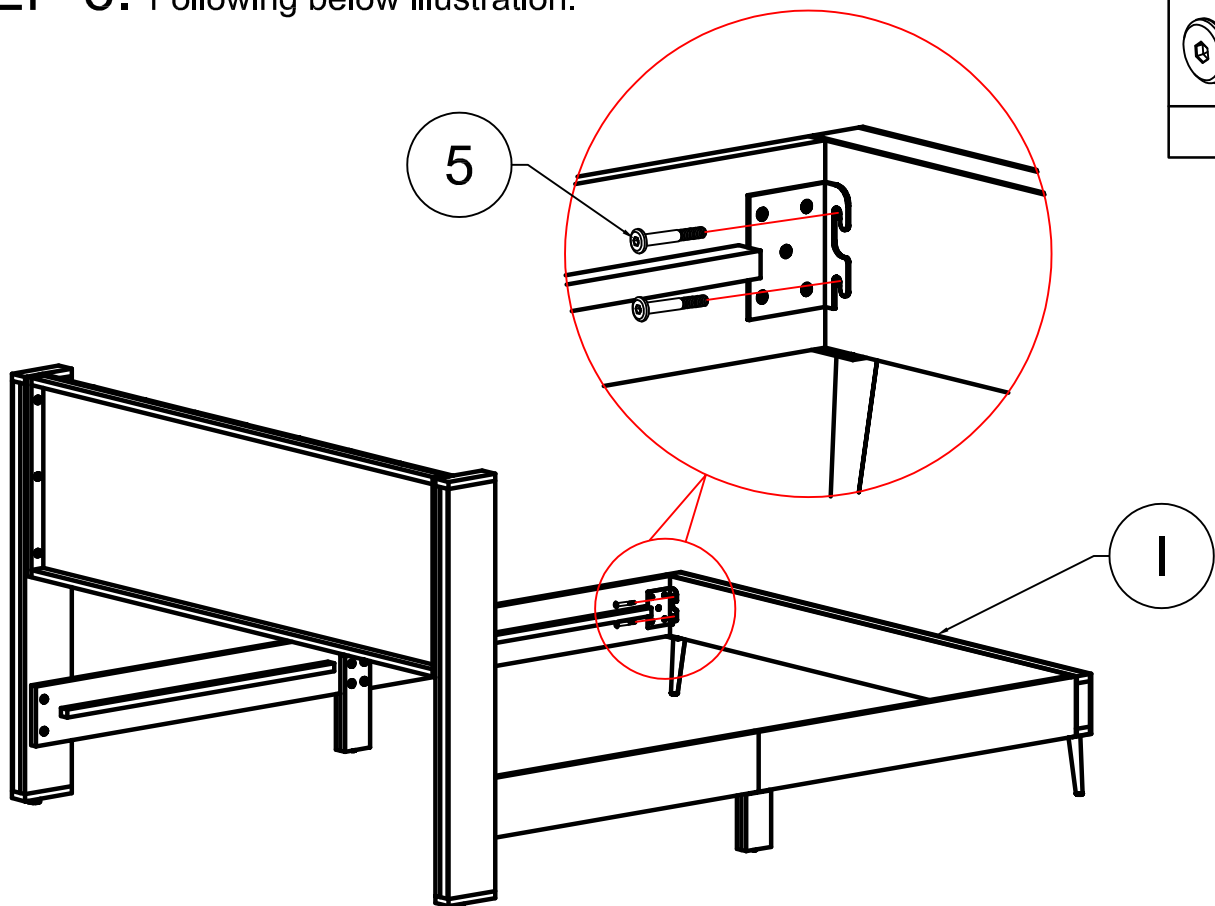


6

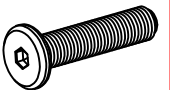


4pcs

STEP 6: Following below illustration:

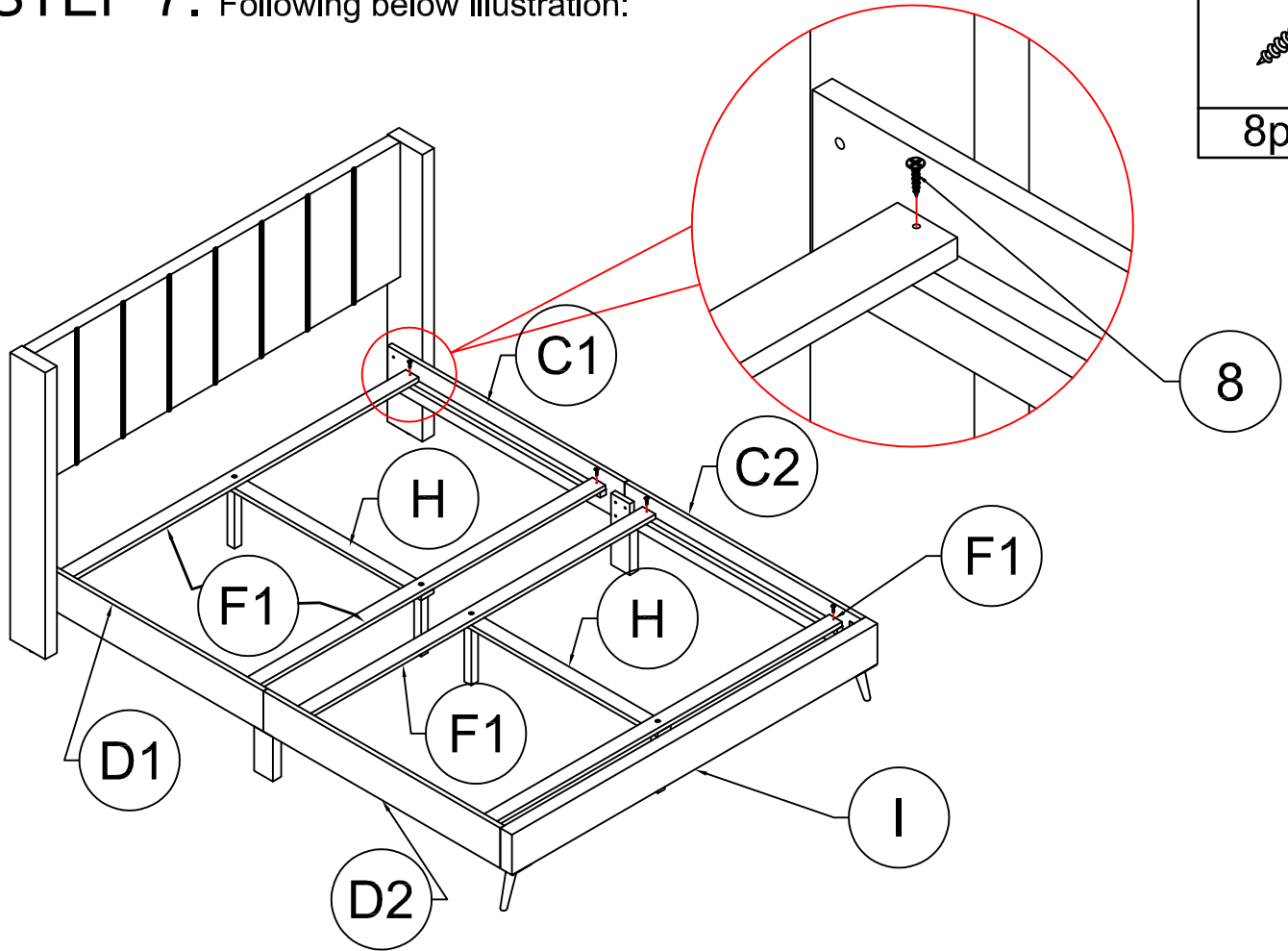


5

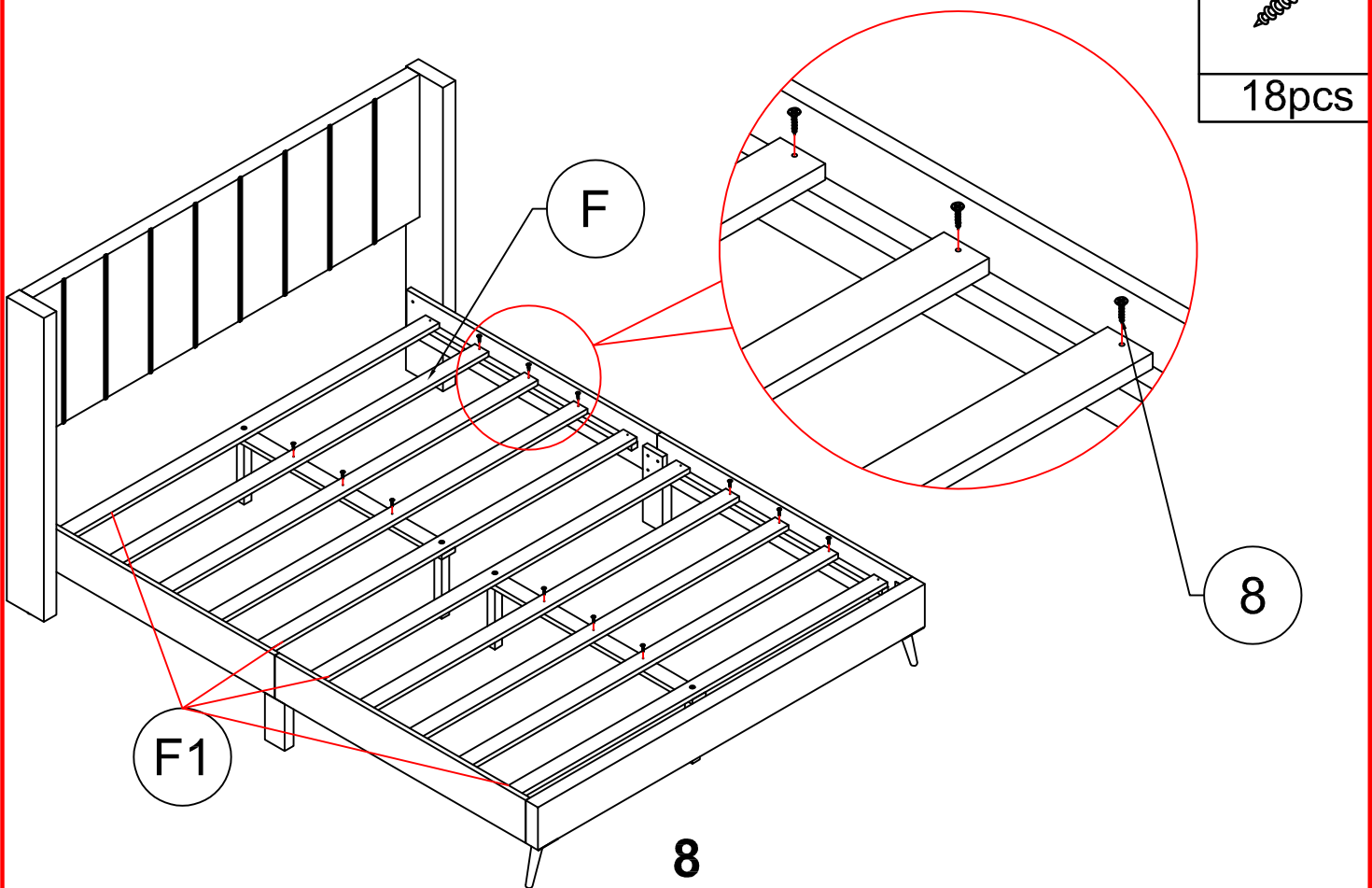


4pcs

STEP 7: Following below illustration:



STEP 8: Following below illustration:



FINISH

