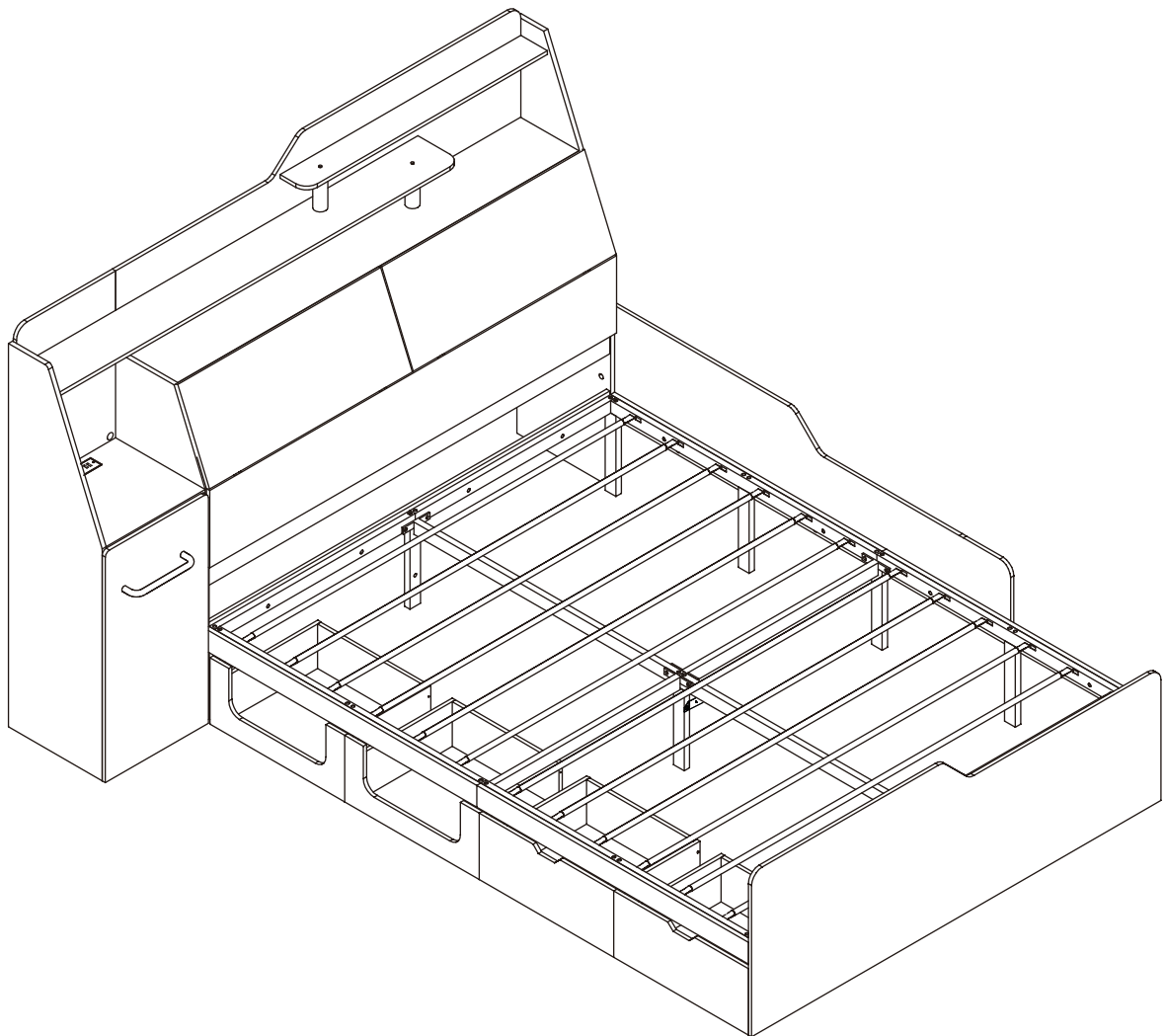


ASSEMBLY INSTRUCTIONS



1.Thank you for choosing our products.

2.Return Policy



DO NOT RETURN TO THE STORE! Avoid the hassle of returning your product by contacting us directly for a replacement.

If you find that parts of your order are missing or damaged, we will gladly ship any needed replacement parts free of charge.

If your product's quality does not meet your expectations or you have found any sort of defect, Contact our customer service department with your order details and any issues you've encountered.

We will do our best to provide a solution.Feel free to also directly contact our manufacturer concerning needed replacement parts and they will be happy to help provide you with a solution or answer any questions you may have.

Assembly Recommendations



• Read instructions, cover to cover



• Have 2-4 adults on hand for assembly depending on product size



• Do not assemble directly on flooring or carpet



• Assemble on a clean non-marring surface (example: packing foam)



• Save all packaging until finished

3. Assembly Notice:

- If you encounter any problems during assembly and find that you cannot continue, rest assured we will help you solve the situation as soon as possible. Simply keep all of the parts of the product stored in a safe place and contact us immediately so we may assist you further.

Once you have opened your package, remove all inner hardware packages and take the parts out. One by one, Lay out the parts neatly in front of you, then refer to the instructions to confirm that no parts are missing.

If any pieces are found missing, please carefully look in the box first, as the hardware packaging might have torn making the hardware spill in the box.

- ☒ Some key parts of your product may be stored and hidden inside of other parts. Please open any zippered or hook & loop storage compartments to remove all parts. (For example: LED lights may be stored in the bottom or middle compartment of the product.)

- ☒ **IMPORTANT:** During setup, **DO NOT FULLY TIGHTEN THE SCREWS AT FIRST.**

Place each screw into its proper hole and use your hand to twist the screw halfway. Twist all the screws halfway to ensure the holes align correctly and the product is level on the ground. When everything seems properly fitted, then tighten the screws. Please strictly follow the order of each step as outlined in the manual to make your installation easier and the product fit better.

- ☒ When you have completed assembly, we suggest you have more than one person to assist you with lifting and placing the product.

Care & Maintenance



Do not put hot items directly on furniture surface



Do not clean furniture with harsh cleansers or polish



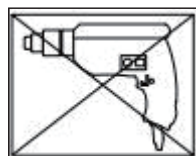
Children should not climb or jump on the furniture



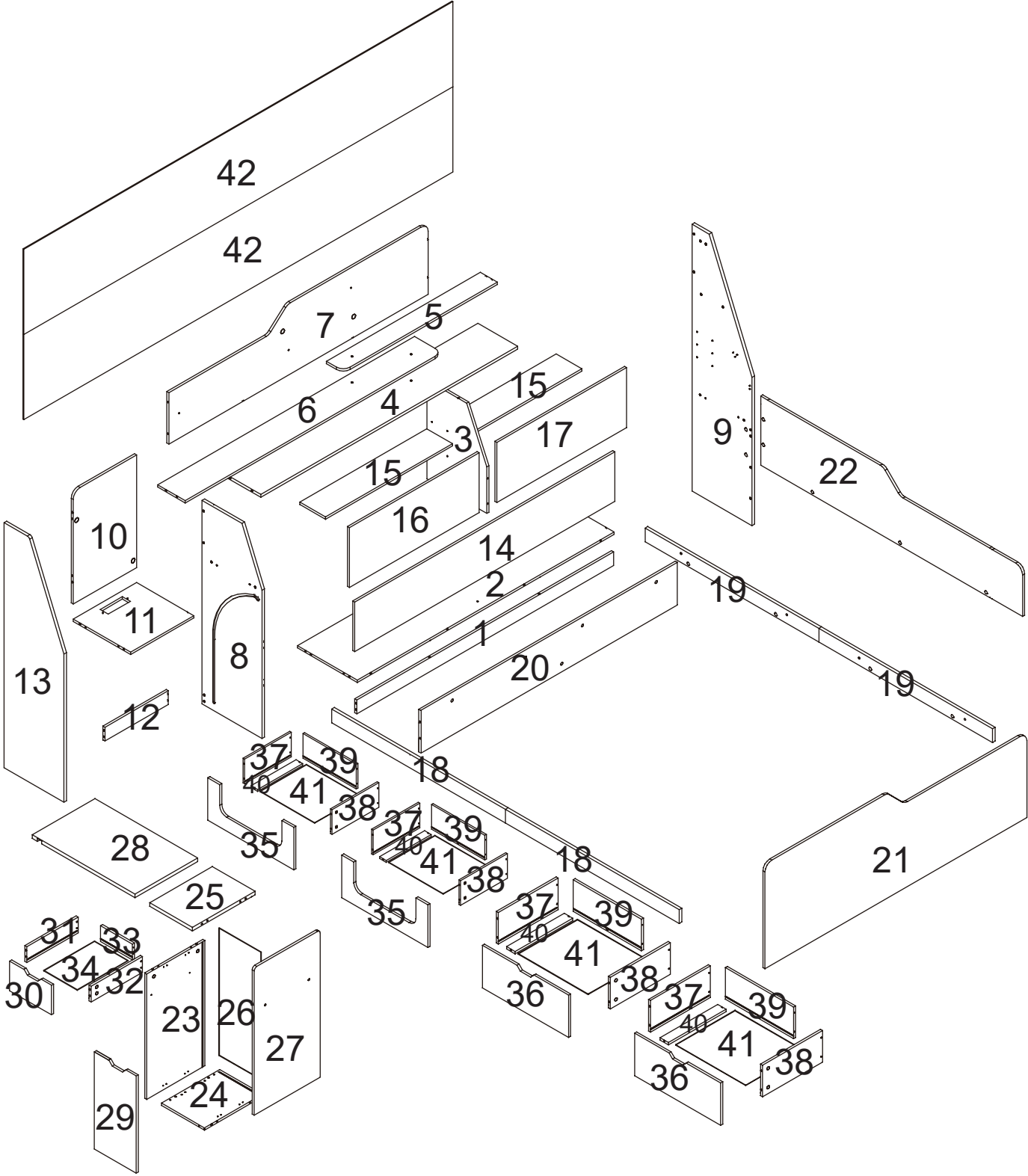
Dust and pick-up spills using a clean, non-colored, lint-free cloth

Caution

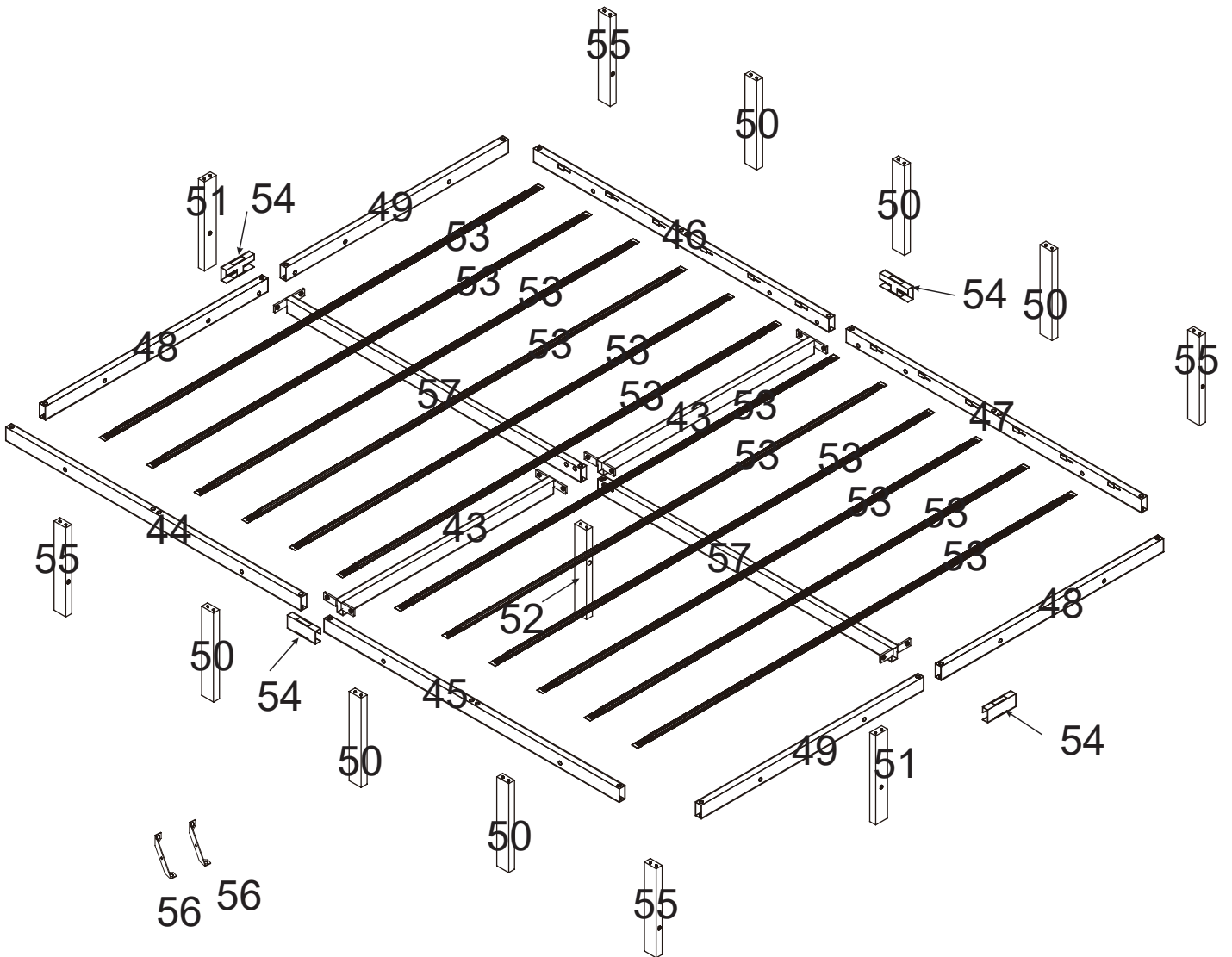
- This product contains small components. Please ensure that they are kept away from small children.
- Do not use power tools to assemble your furniture. Power tools may strip or damage the parts.

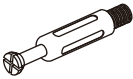

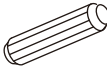



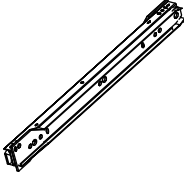



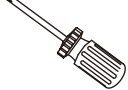

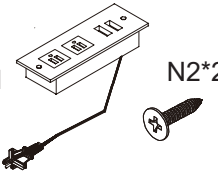
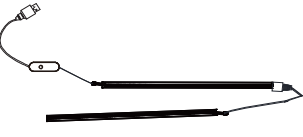


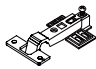


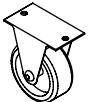
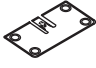

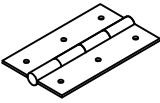






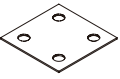

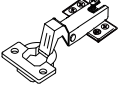
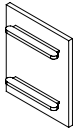


Assembly Instructions

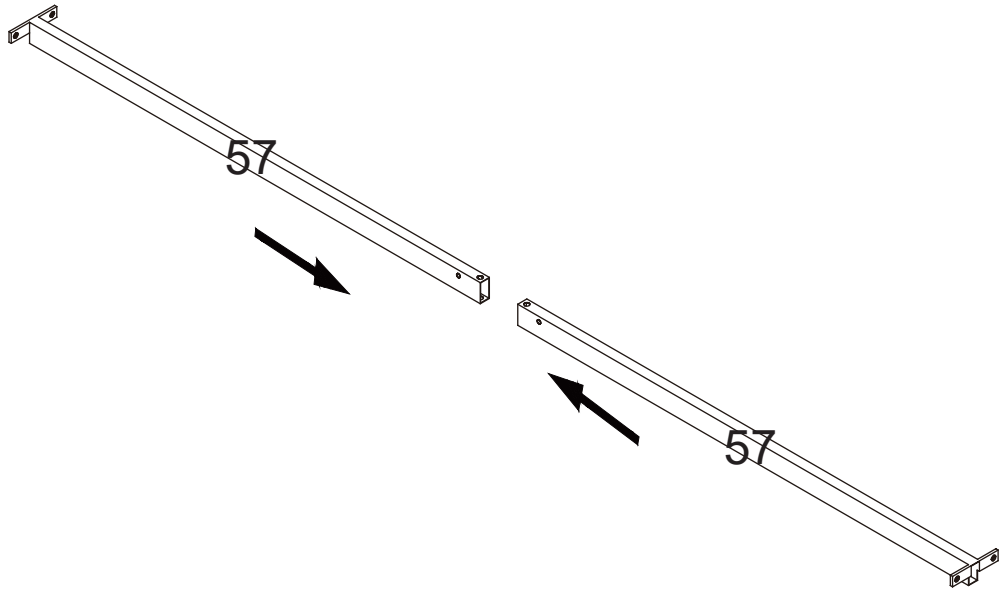


Part Nr.	Qty	Part Nr.	Qty	Part Nr.	Qty
④③	2pcs	④④	1pcs	④⑤	1pcs
④⑥	1pcs	④⑦	1pcs	④⑧	2pcs
④⑨	2pcs	⑤⑩	6pcs	⑤①	2pcs
⑤②	1pcs	⑤③	12pcs	⑤④	4pcs
⑤⑤	4pcs	⑤⑥	2pcs	⑤⑦	2pcs

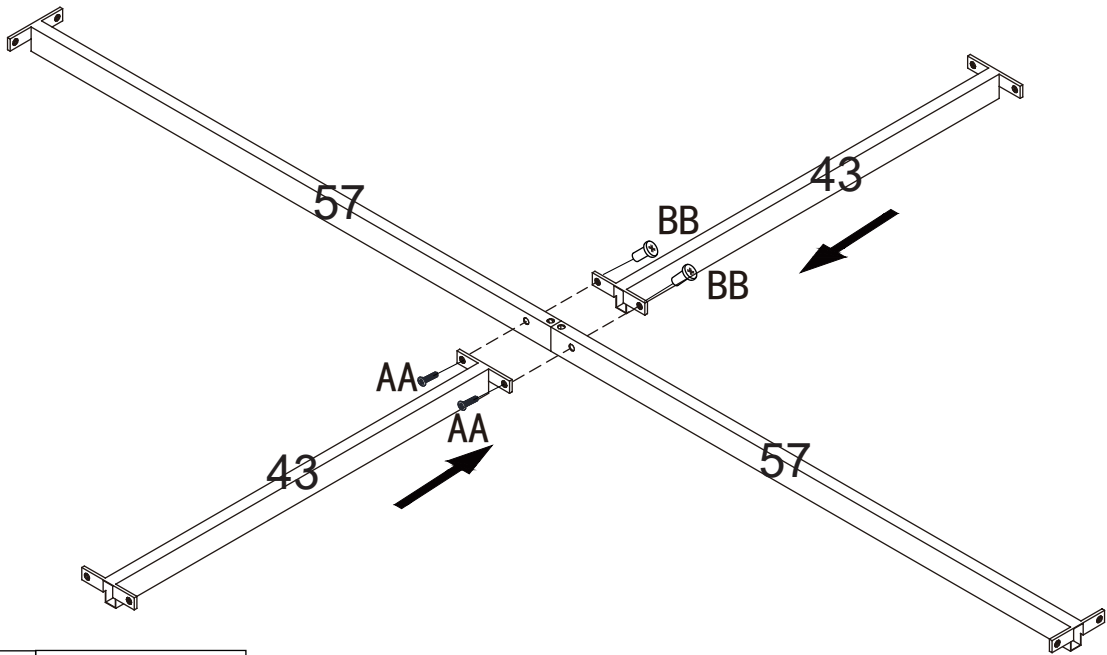


<p>(A)</p>  <p>Cam Bolt x 80+3</p>	<p>(B)</p>  <p>Cam Lock x 80+3</p>	<p>(C)</p>  <p>6*30mm Dowel x 20+2</p>	<p>(D)</p>  <p>5*40mm Screw x 27+2</p>
<p>(E)</p>  <p>Metal rings x 4</p>	<p>(F)</p>  <p>F1*1pcs F2*2pcs</p> <p>Towel racks x 1 set</p>	<p>(G)</p>  <p>300mm Drawer slide x 1</p>	<p>(H)</p>  <p>Acrylic columns x 2</p>
<p>(J)</p>  <p>Orienting wheels x 16</p>	<p>(K)</p>  <p>3.5*12mm Screw x 144</p>	<p>(L)</p>  <p>Screwdriver x 2</p>	<p>(M)</p>  <p>Light Belt x16+2</p>
<p>(N)</p>  <p>N1 N2*2</p> <p>plug x 1</p>	<p>(P)</p>  <p>Light strip x 1</p>	<p>(Q)</p>  <p>Wire clips x 5+2</p>	<p>(R)</p>  <p>Bulkhead Pins x 8+1</p>
<p>(S)</p>  <p>Hinge x 4</p>	<p>(T)</p>  <p>pull rod x 2</p>	<p>(U)</p>  <p>6*25mm Screw x18+2</p>	<p>(V)</p>  <p>Orienting wheels x 4</p>
<p>(W)</p>  <p>Sliding wheels x 2</p>	<p>(X)</p>  <p>3.5*16mm Screw x 14+2</p>	<p>(Y)</p>  <p>hinge x 2</p>	<p>(Z)</p>  <p>Bumper strips x 2</p>
<p>(AA)</p>  <p>6*18mm Screw x23+2</p>	<p>(BB)</p>  <p>Splint nuts x 12+2</p>	<p>(CC)</p>  <p>6*60mm Screw x 26+2</p>	<p>(DD)</p>  <p>L iron tablets x 10</p>
<p>(EE)</p>  <p>6*45mm Screw x2+1</p>	<p>(FF)</p>  <p>Iron sheets x 1</p>	<p>(GG)</p>  <p>Perfect sticker x30</p>	<p>(HH)</p>  <p>Hinge x 2</p>
<p>(JJ)</p>  <p>Positioning piece x24</p>			

1.



2.



AA*2

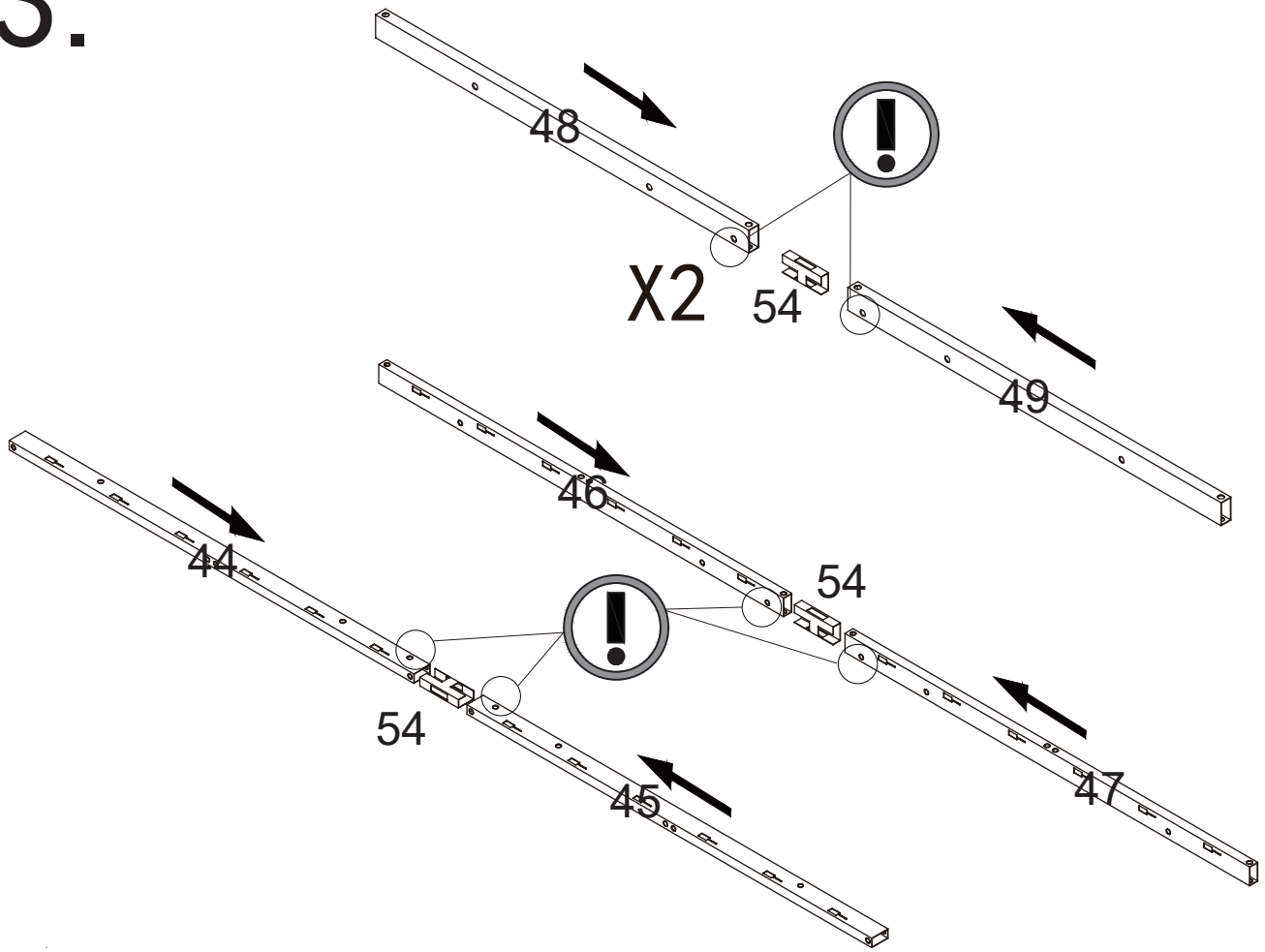


Ø6 x 18 mm

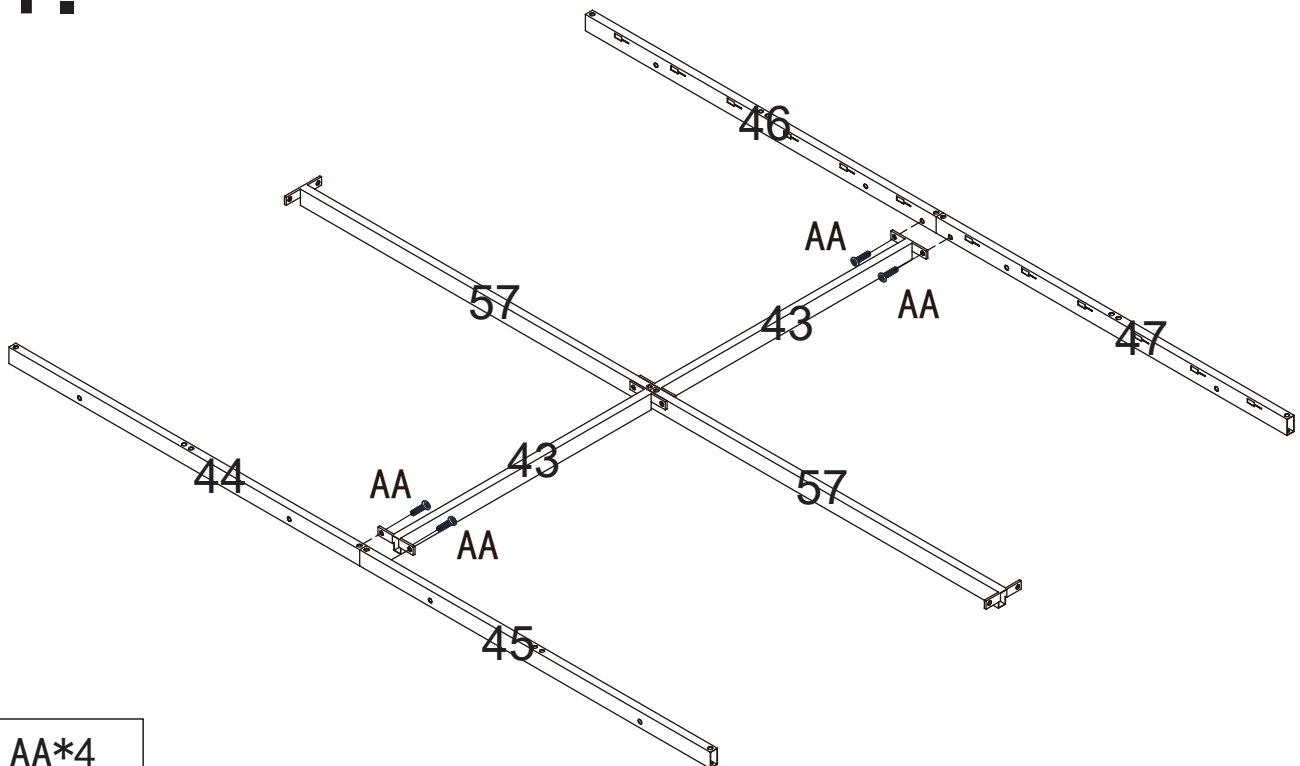
BB*2



3.



4.

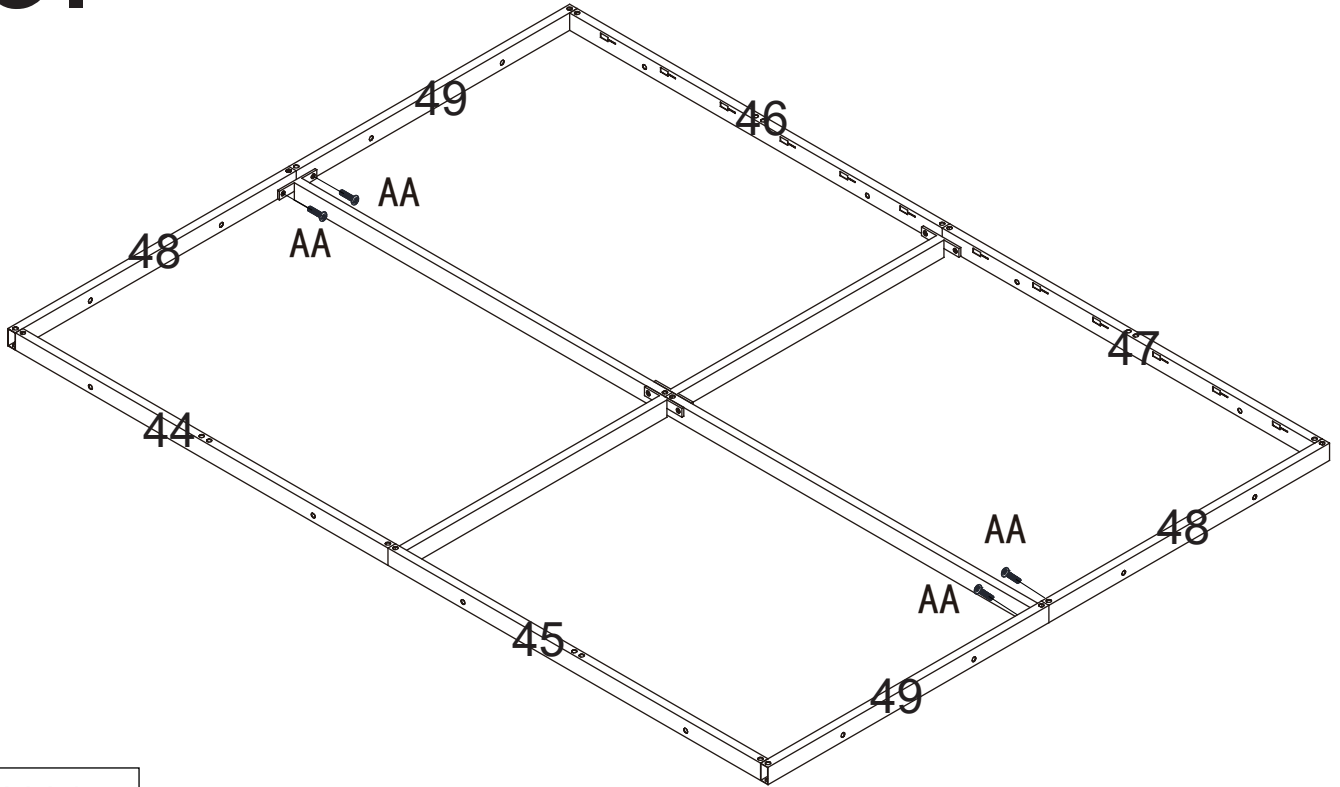


AA*4



Ø6 x 18 mm

5.

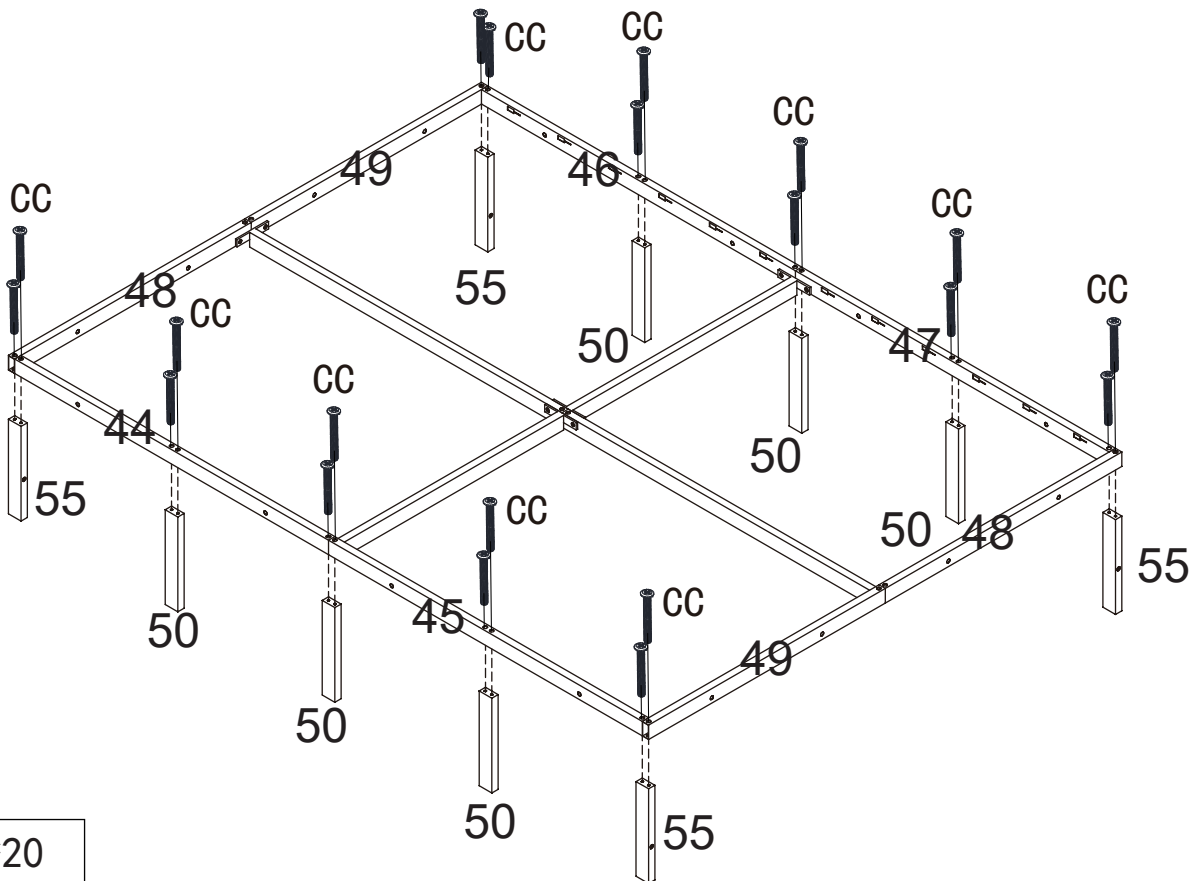


AA*4



Ø 6 x 18 mm

6.

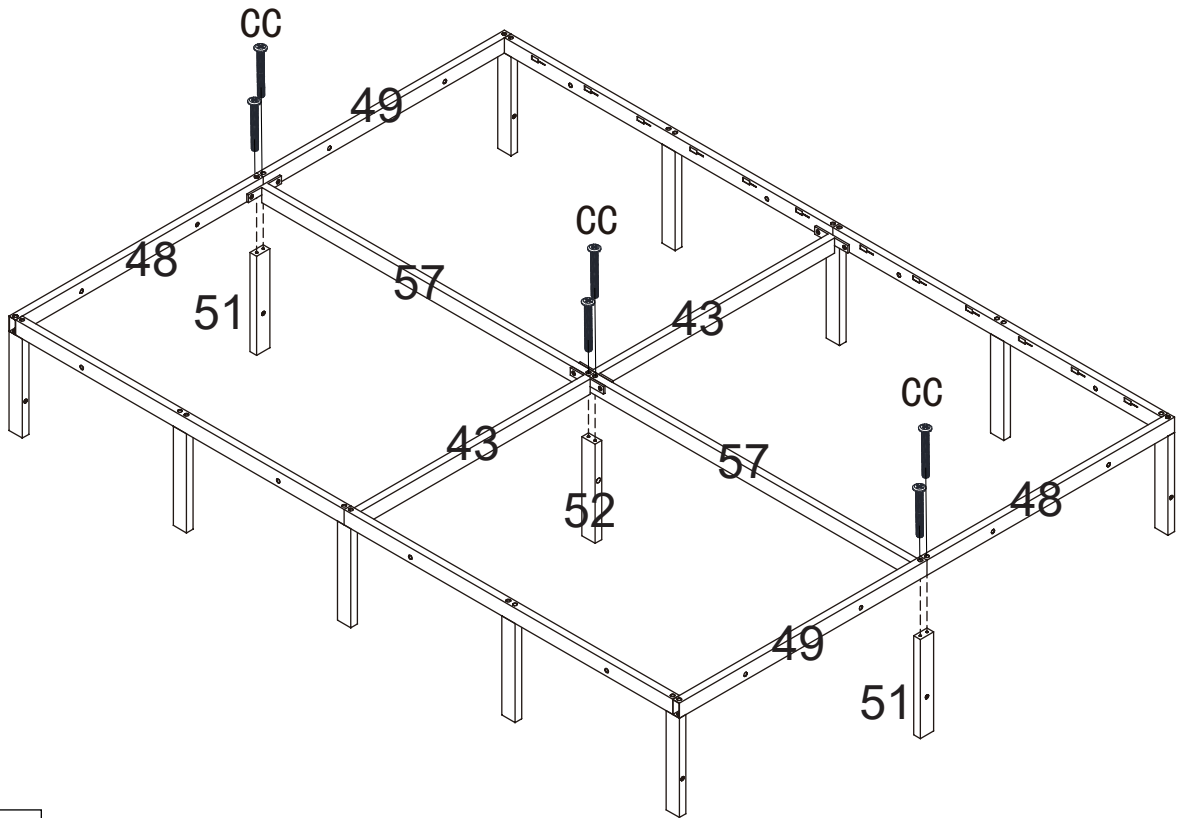


CC*20



Ø 6 x 60 mm

7.

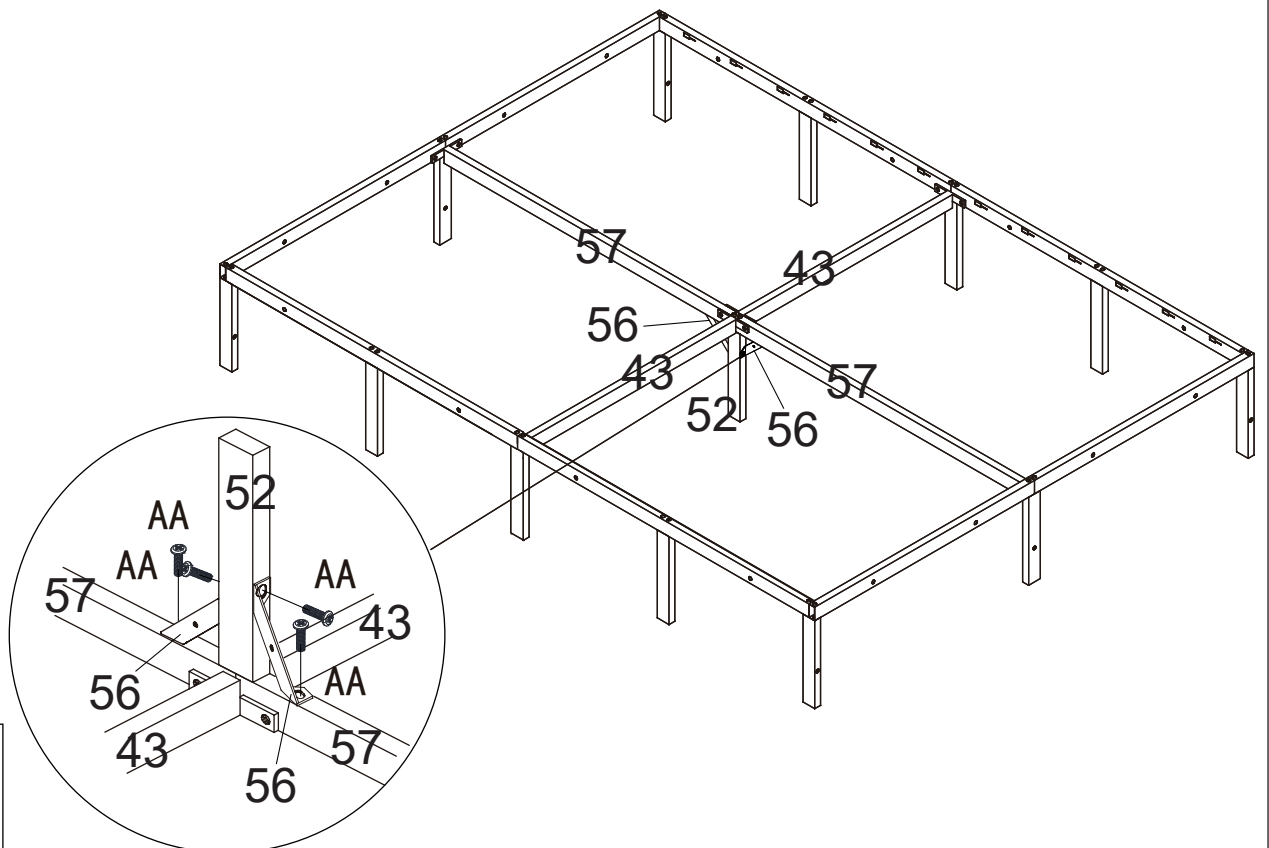


CC*6



Ø 6 x 60 mm

8.

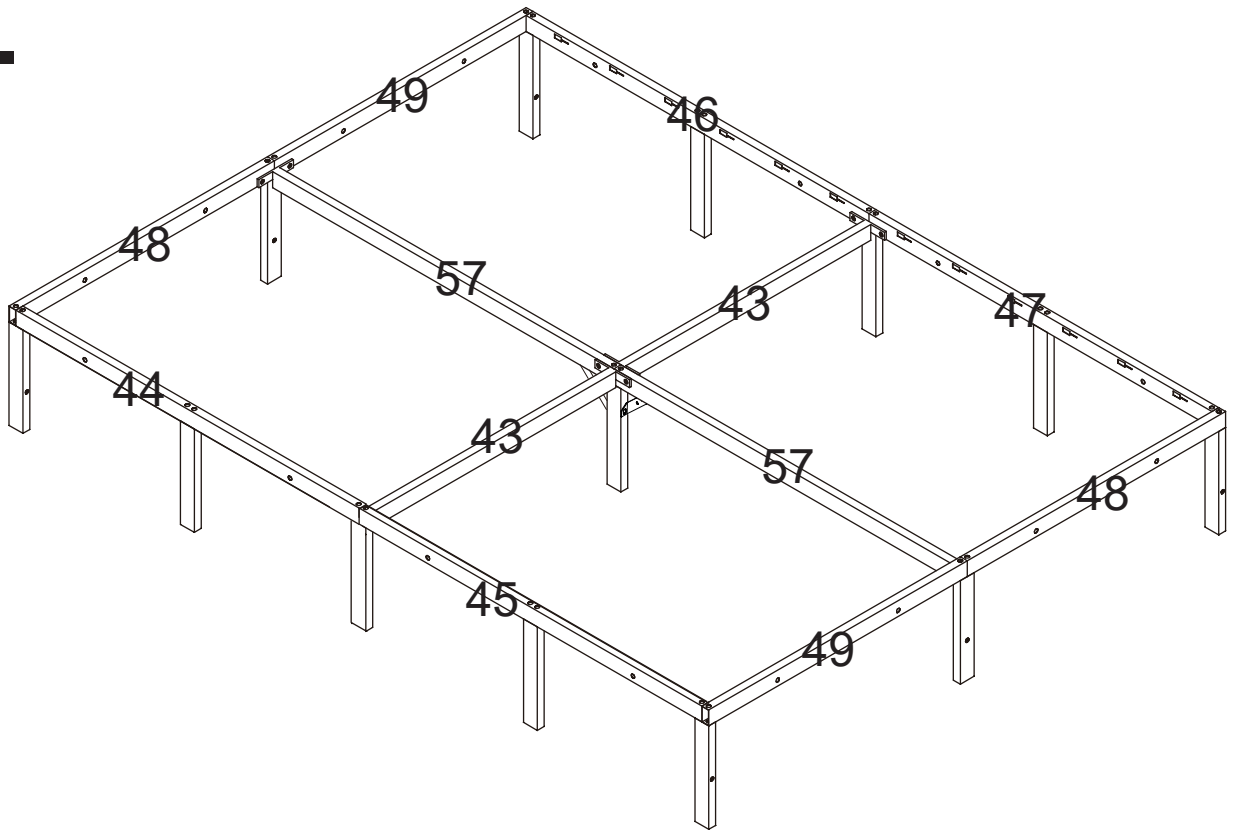


AA*4

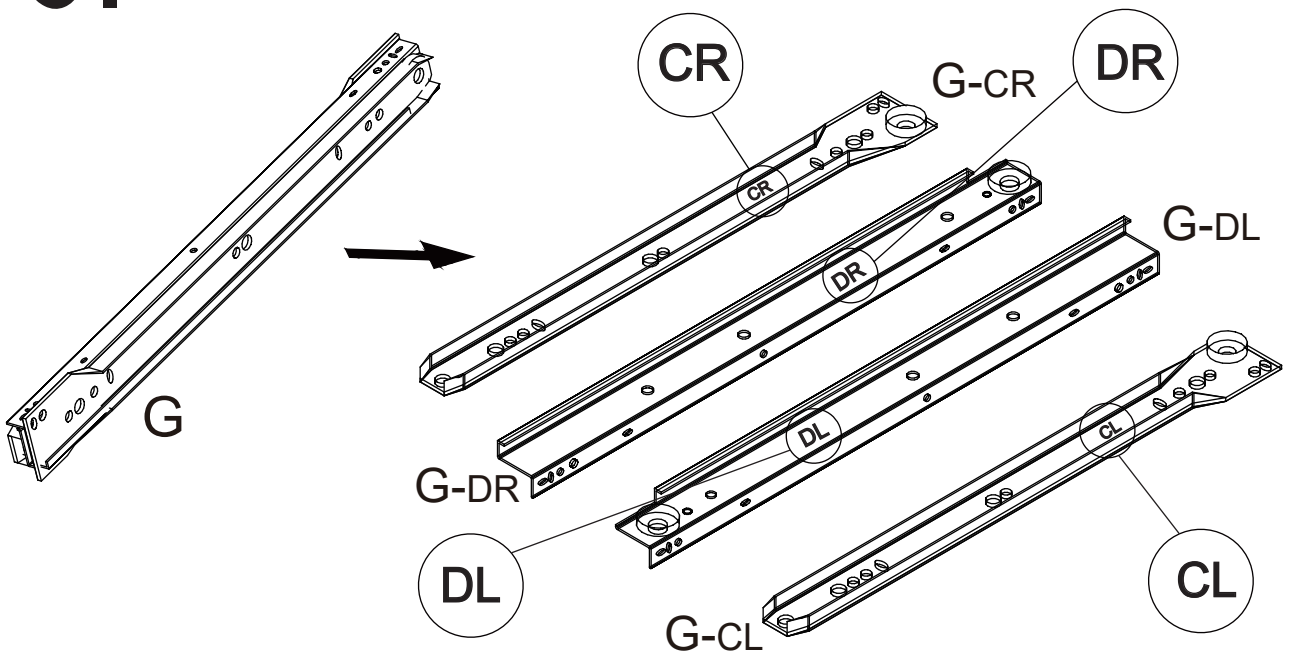





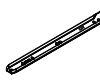

Ø 6 x 18 mm

9.

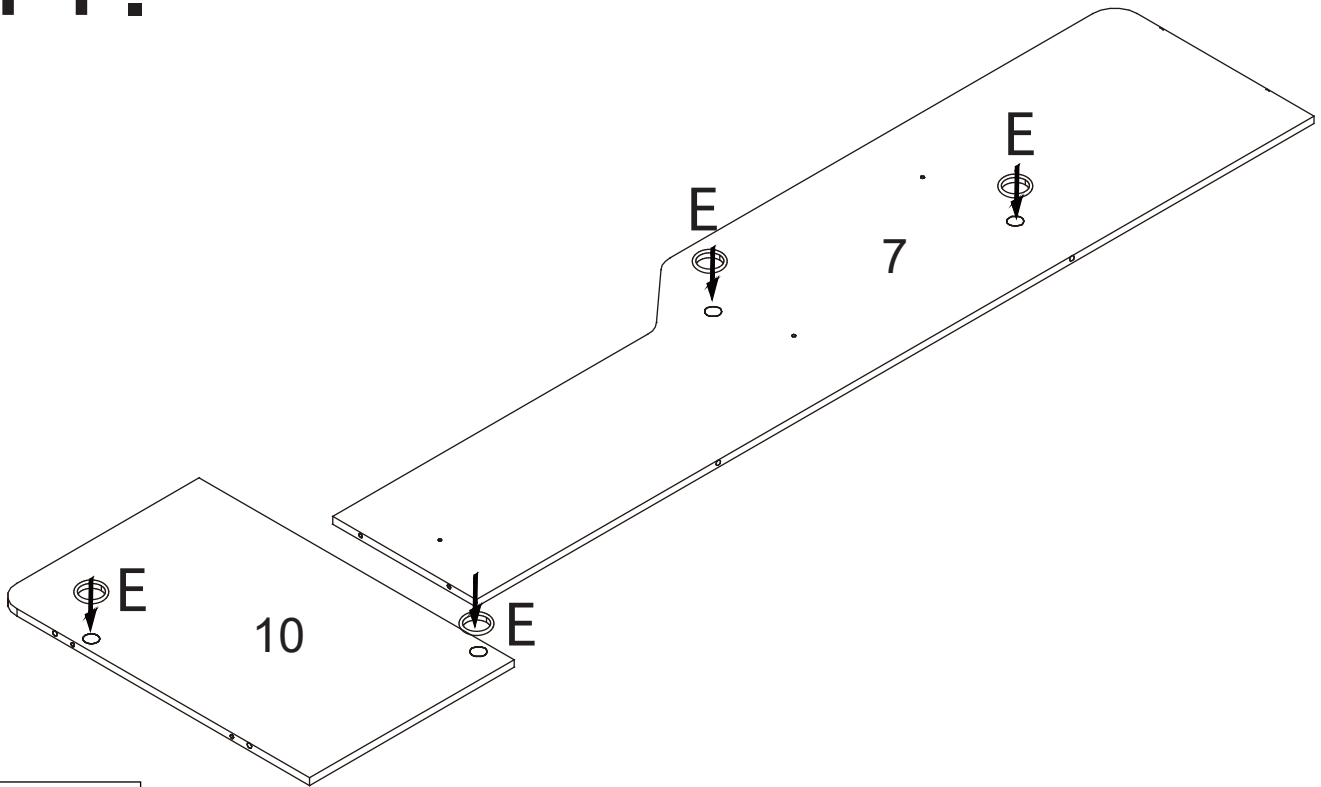


10.



 G*1 300mm	 G-CL*1 300mm	 G-DL*1 300mm	 G-CR*1 300mm	 G-DR*1 300mm
--	--	--	--	---

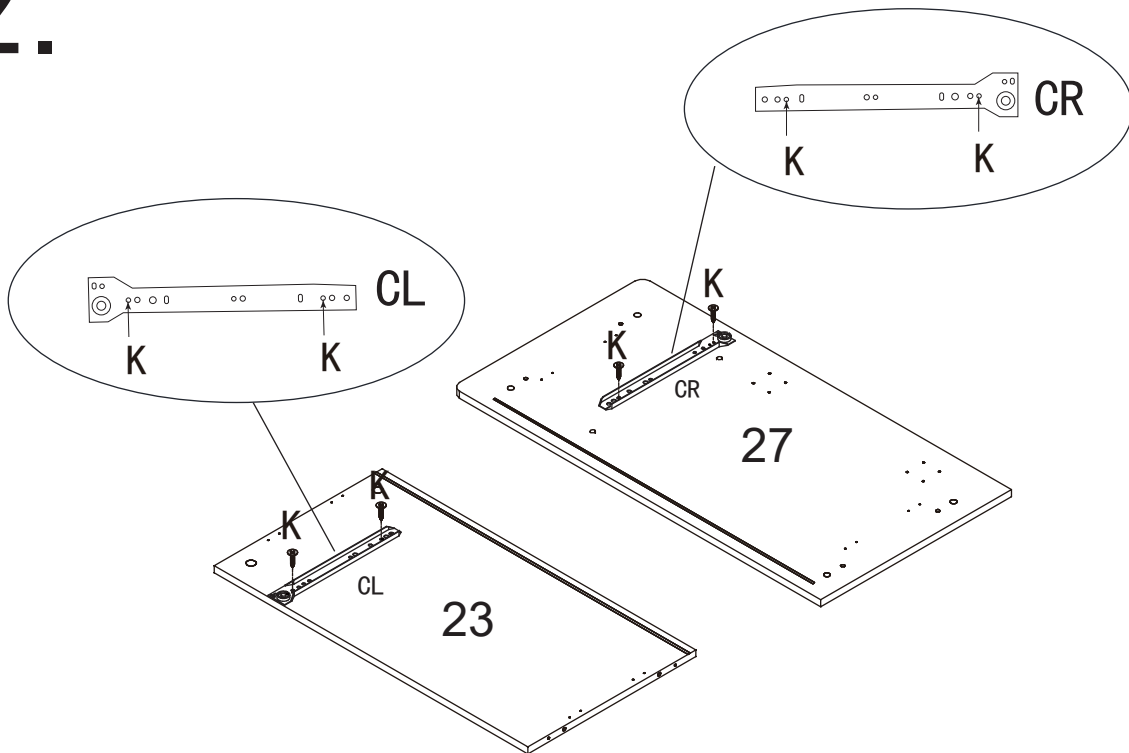
11.



E*4



12.



G-CL*1



300mm

G-CR*1



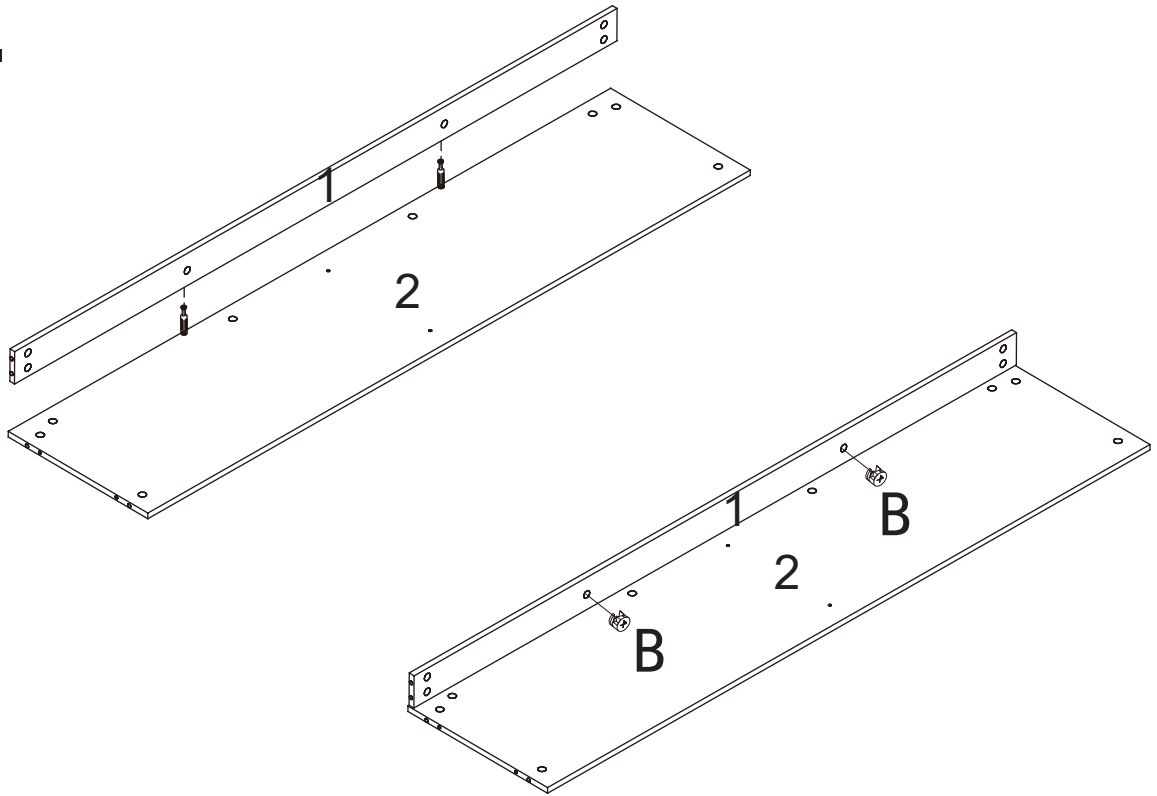
300mm

K*4



Ø 3.5 x 12 mm

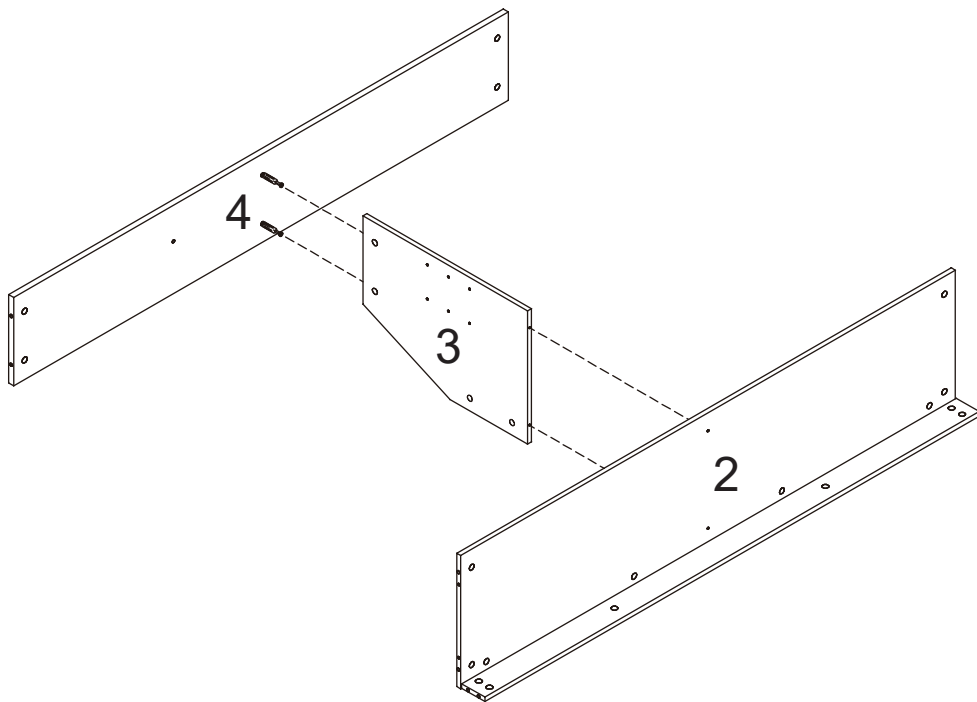
14.



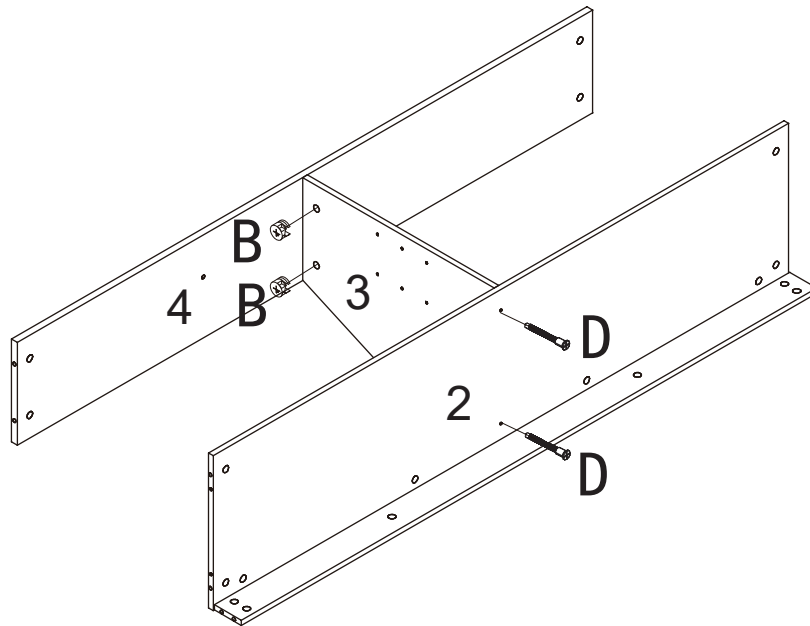
B*2



15.



16.



B*2

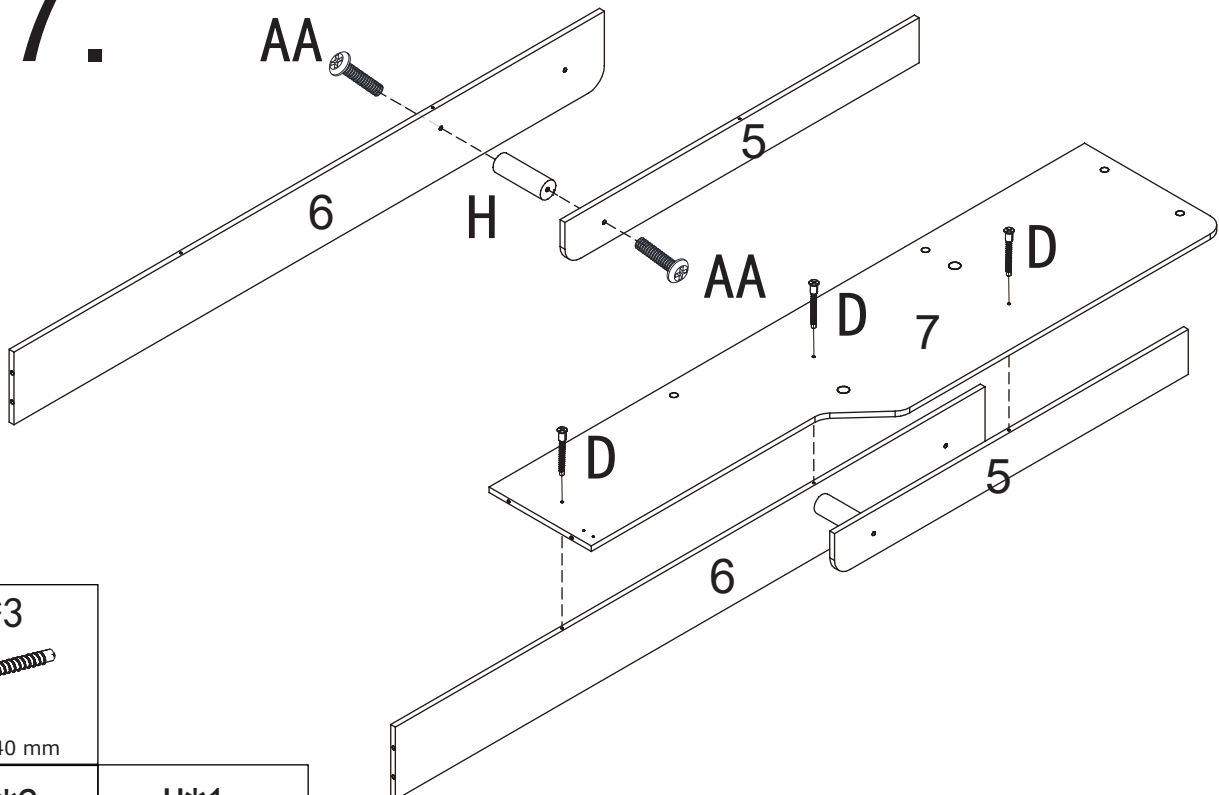


D*2



Ø5 x 40 mm

17.



D*3



Ø5 x 40 mm

AA*2

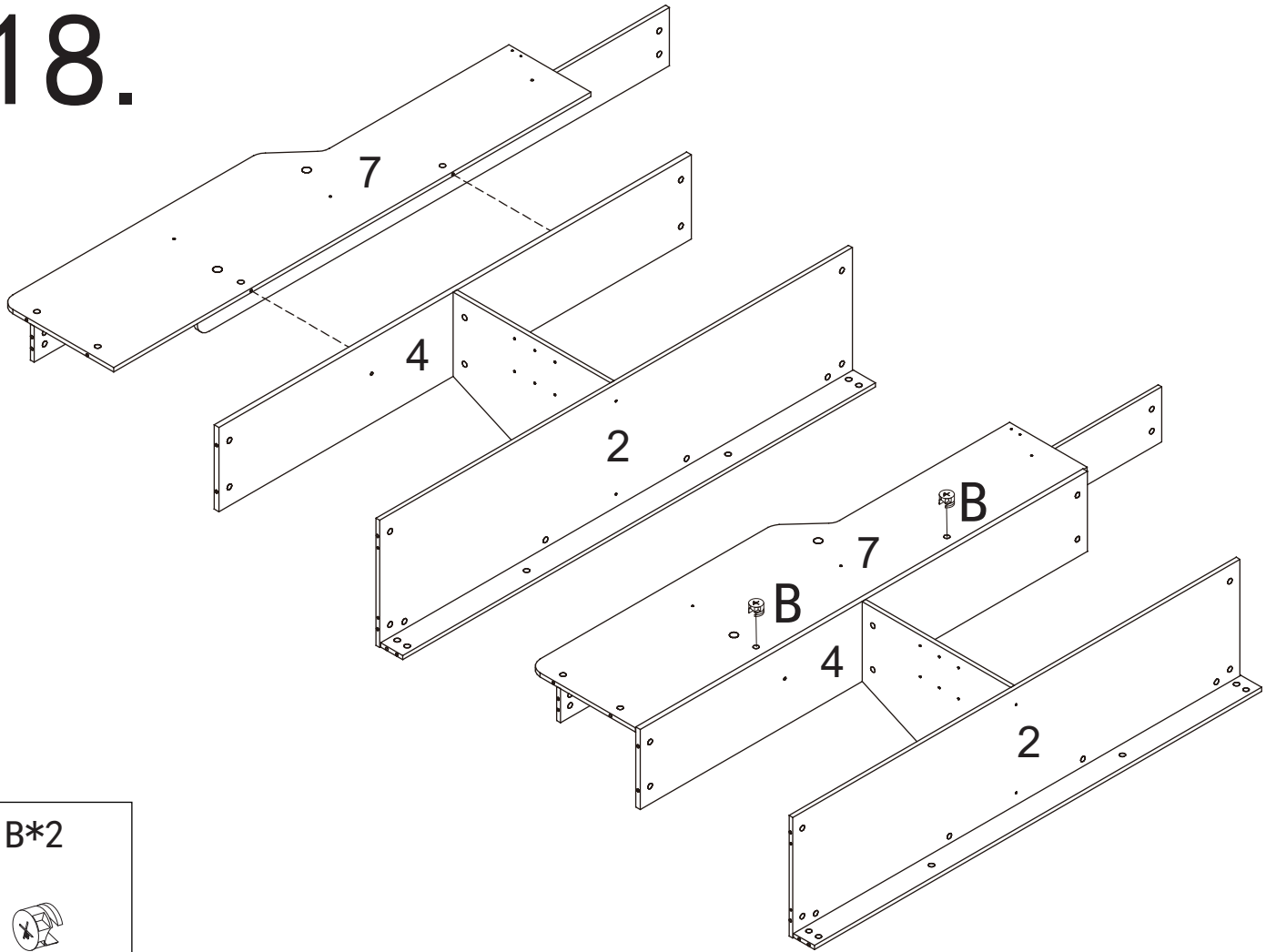


Ø6 x 18 mm

H*1



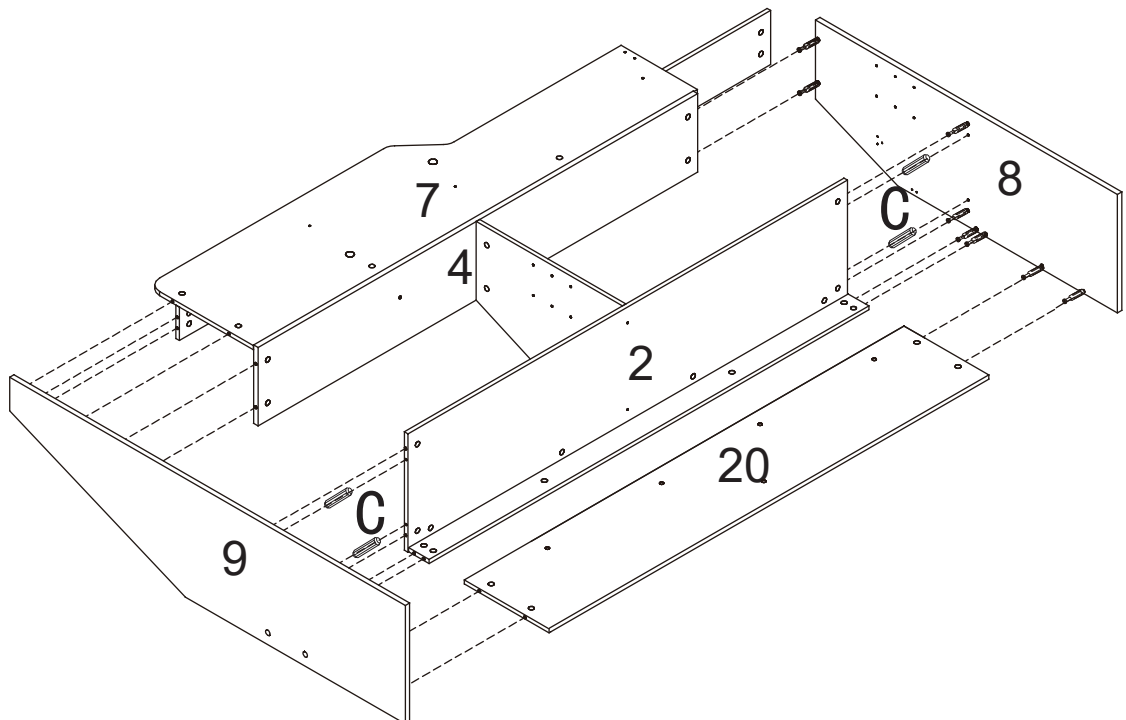
18.



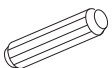
B*2



19.

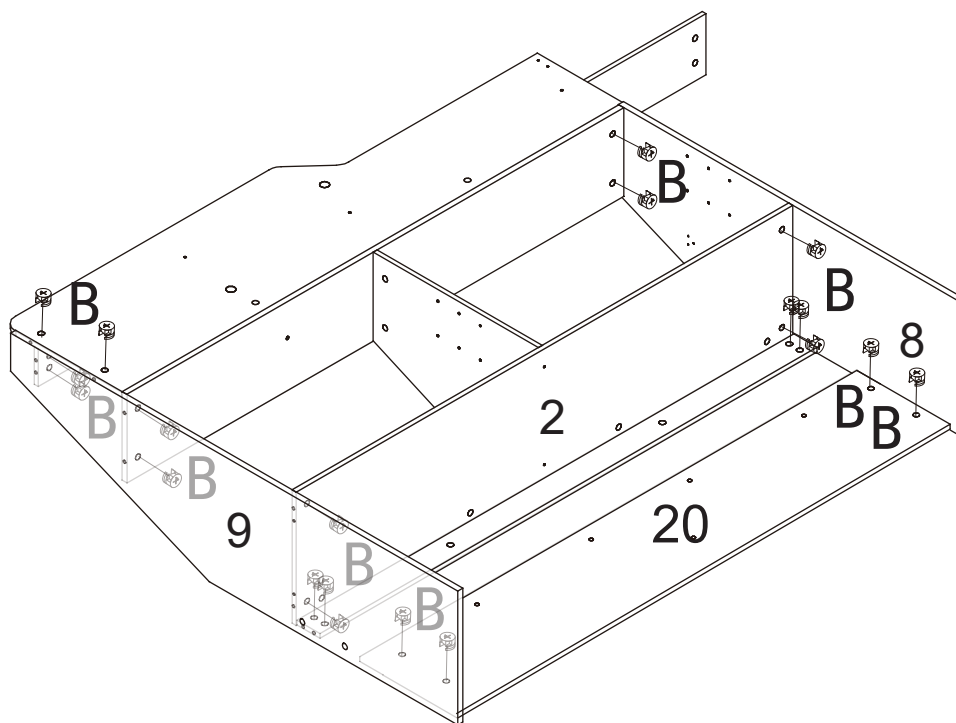


C*4



∅6 x 30 mm

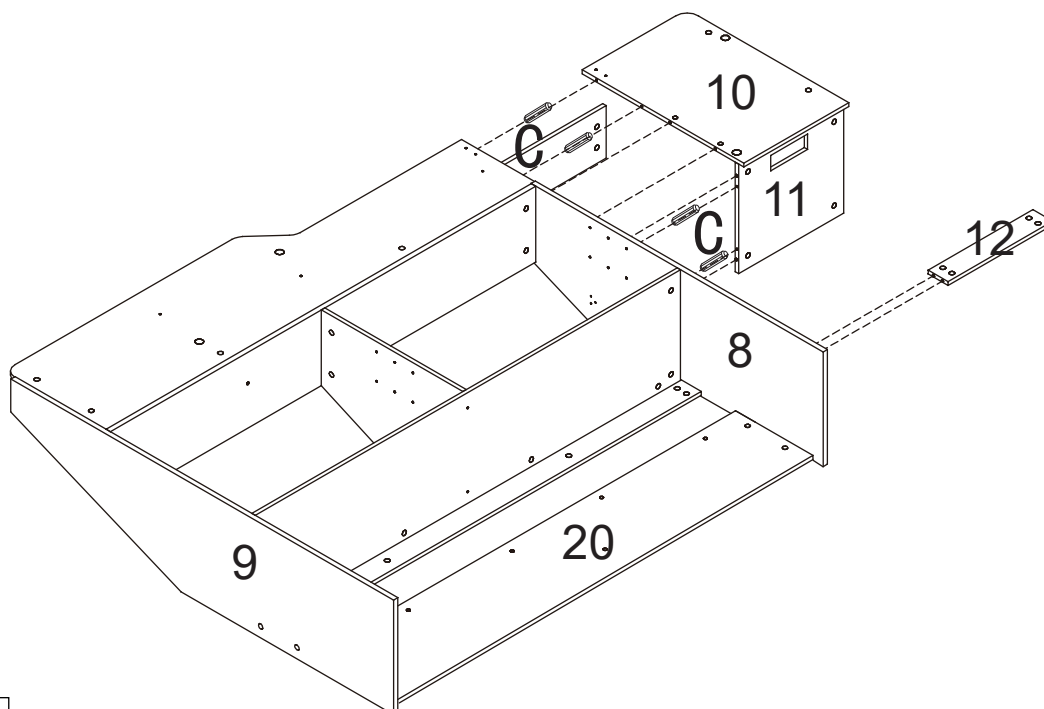
20.



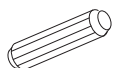
B*20



21.

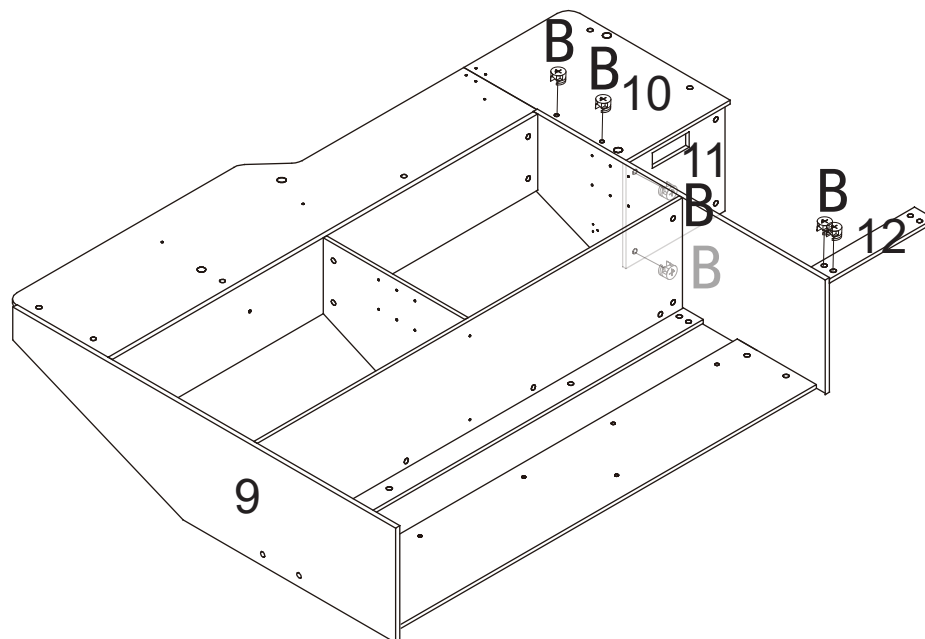


C*4



∅6 x 30 mm

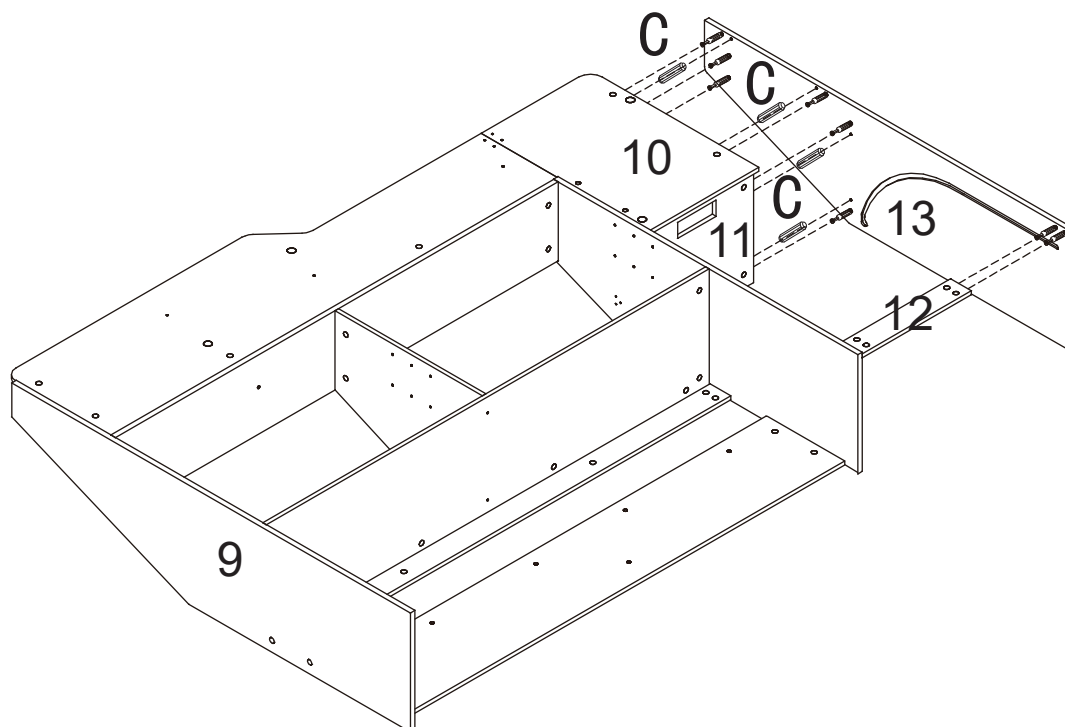
22.



B*6



23.

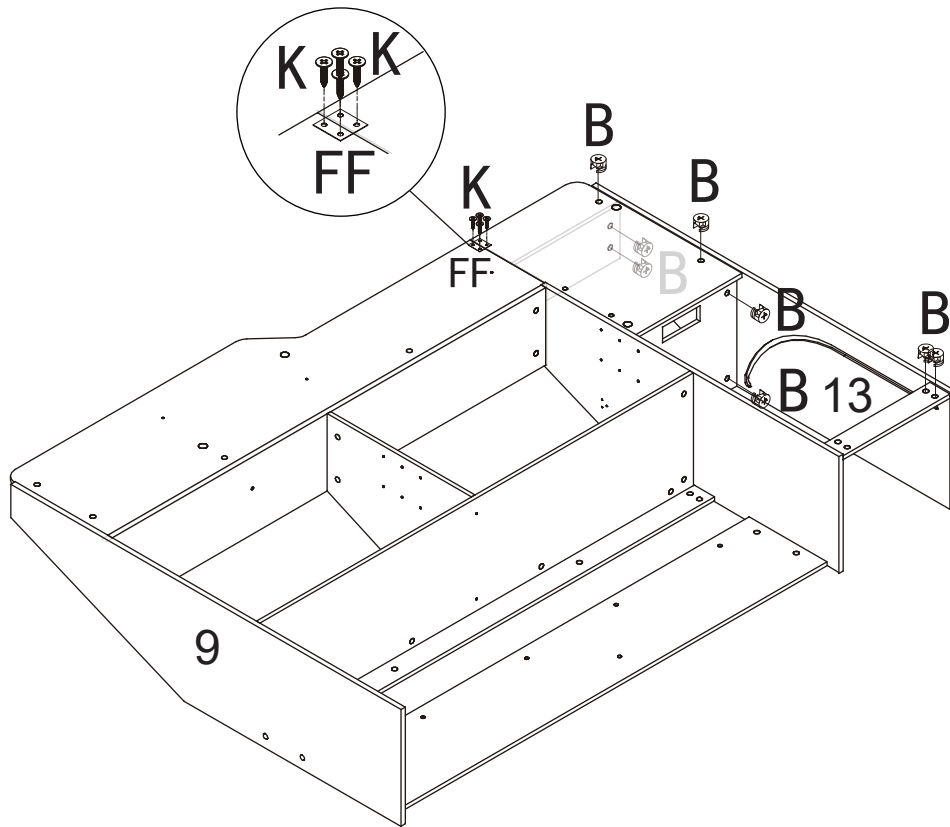


C*4

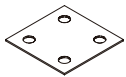


Ø6 x 30 mm

24.



FF*1



B*8

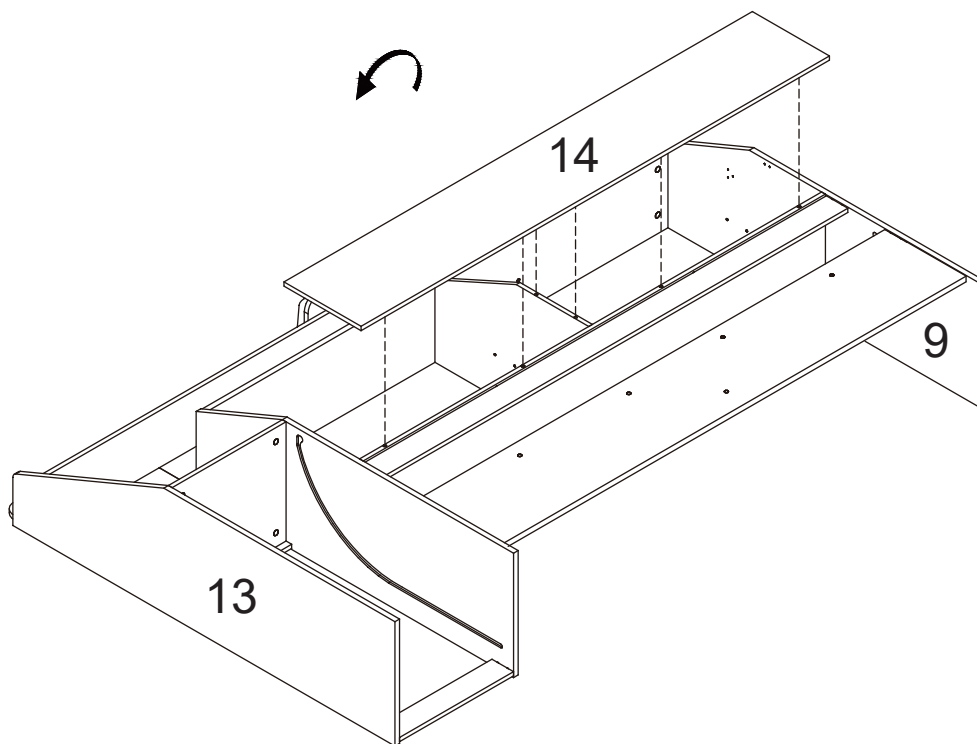


K*4

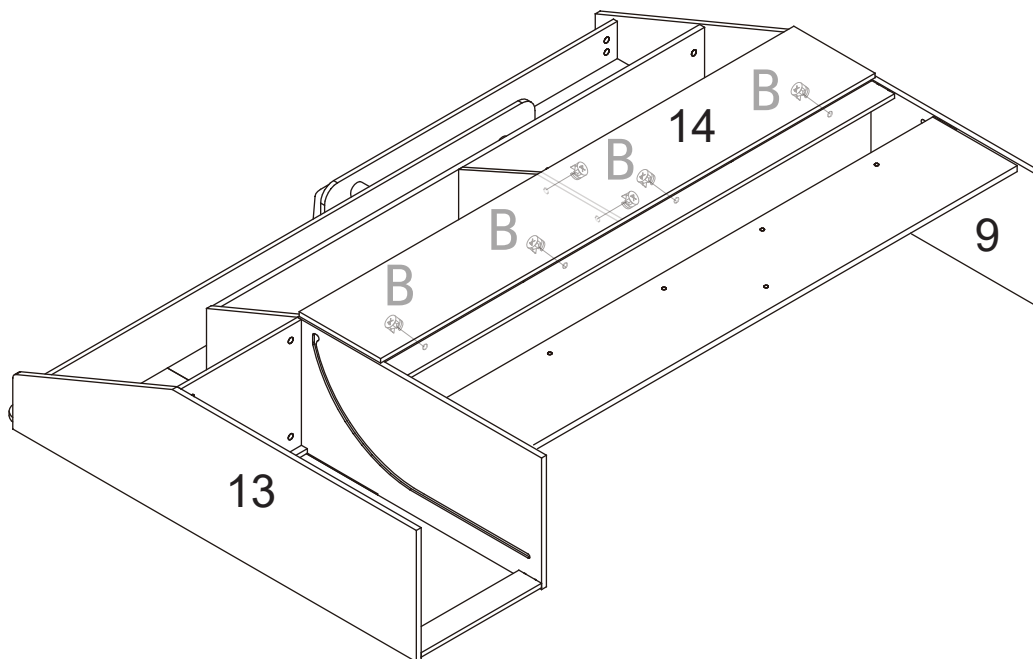


Ø 3.5 x 12 mm

25.



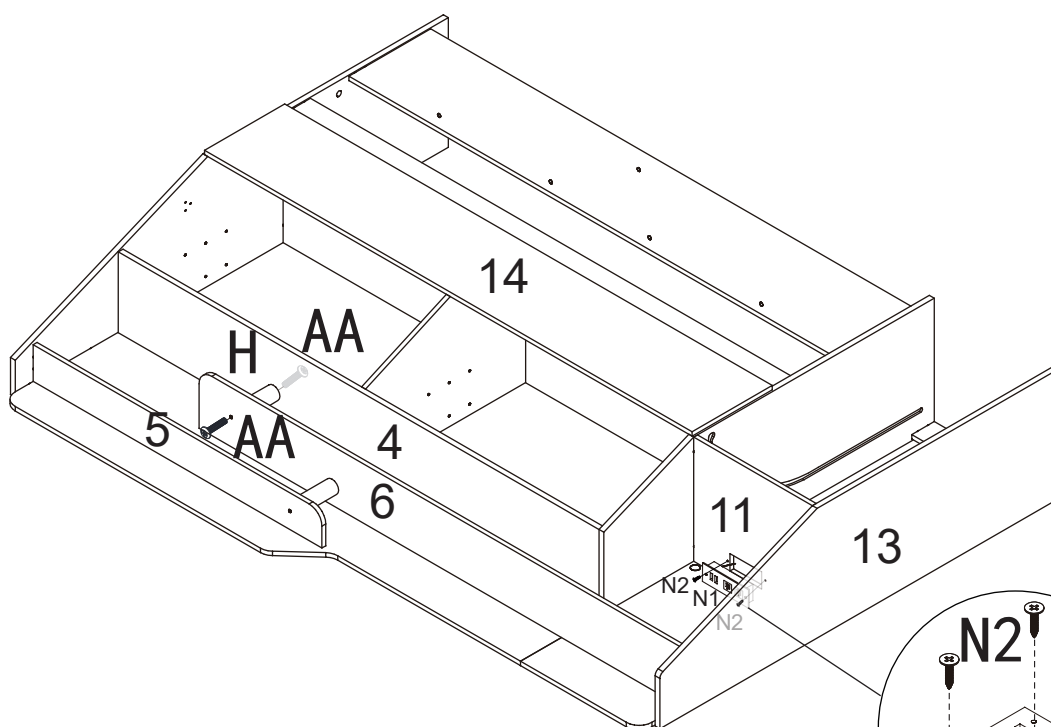
26.



B*6



27.



AA*2



Ø 6 x18 mm

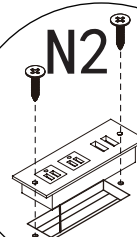
H*1



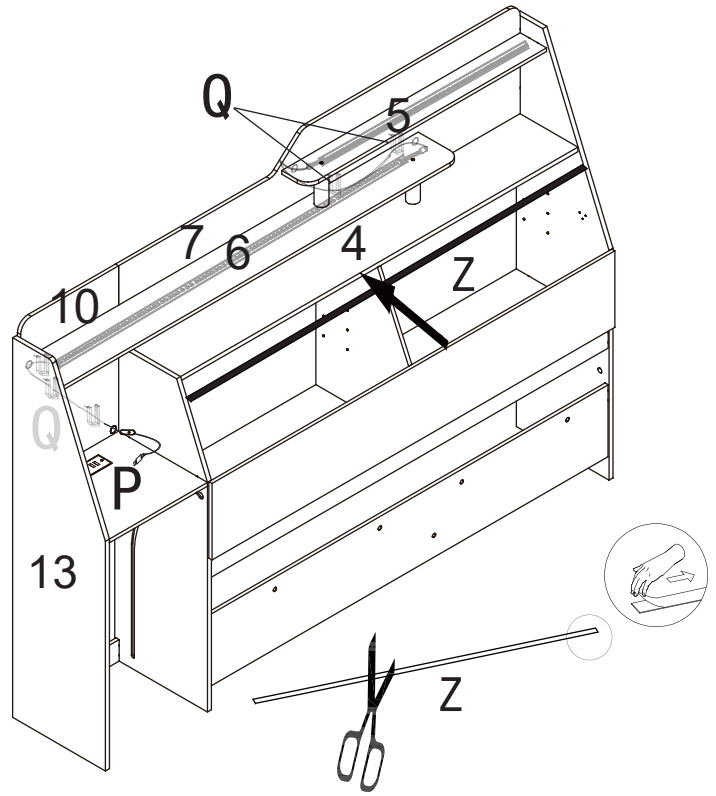
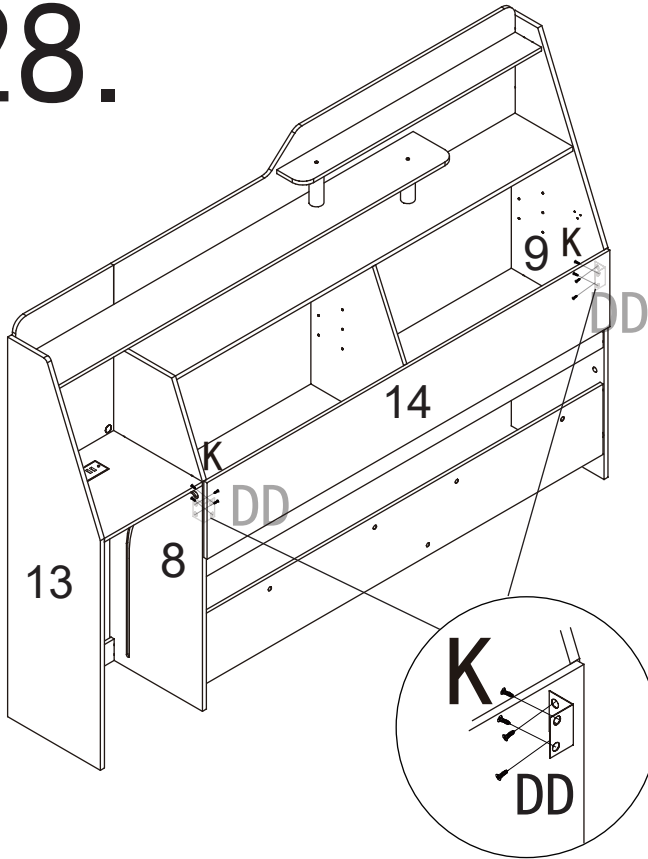
N*1



N2
N1

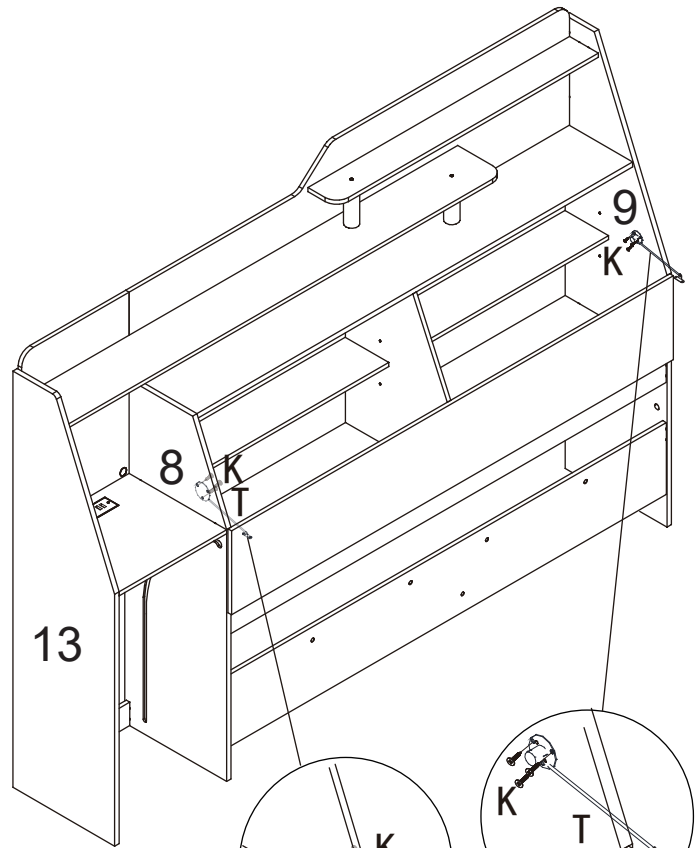
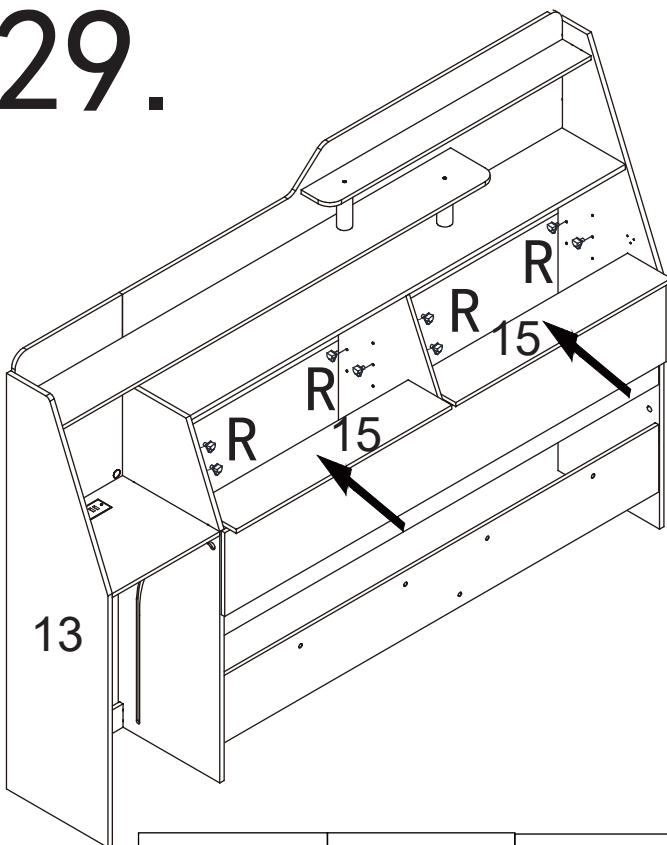


28.



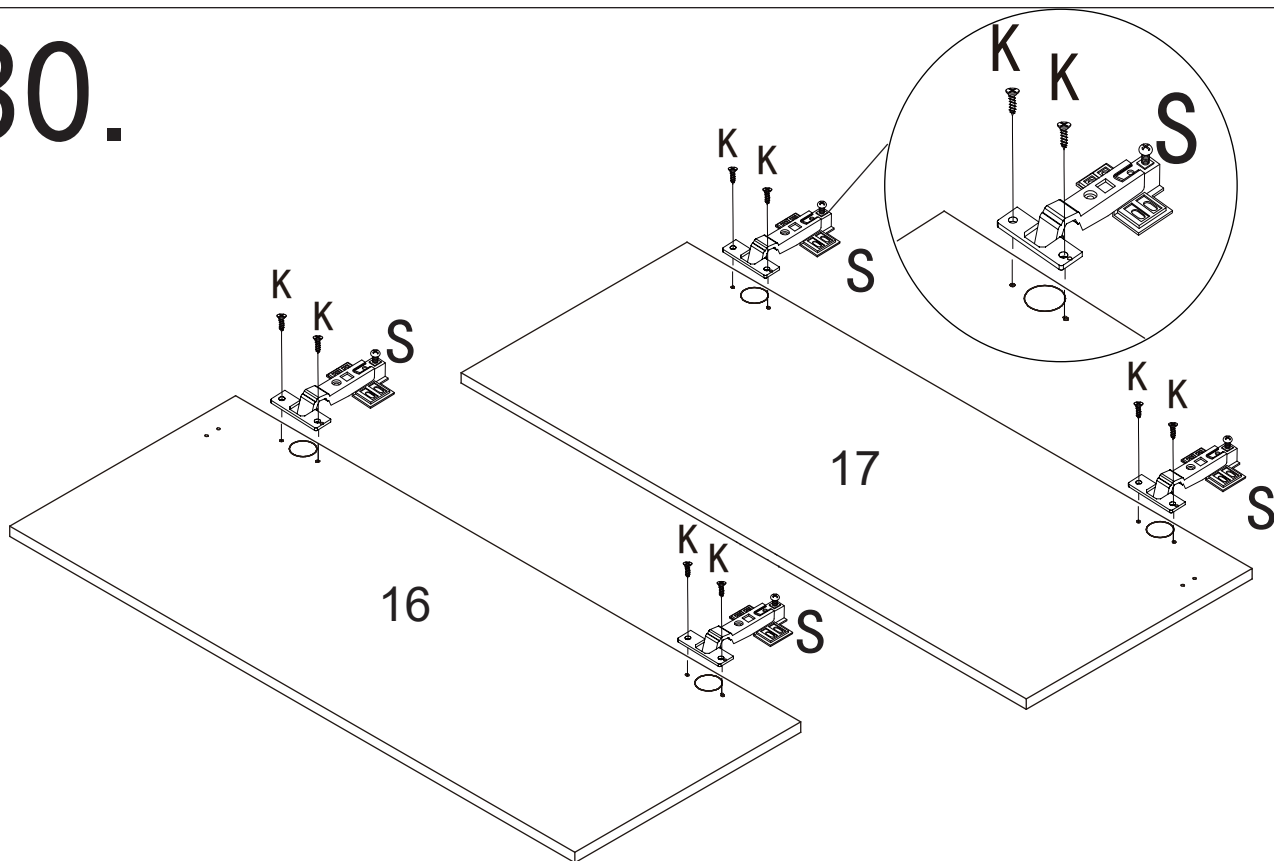
P*1	Q*5	DD*2	K*8	Z*1	Cut yourself according to the right size
Ø 3.5 x 12 mm					

29.



R*8	K*6	T*2
Ø 3.5 x 12 mm		

30.



K*8

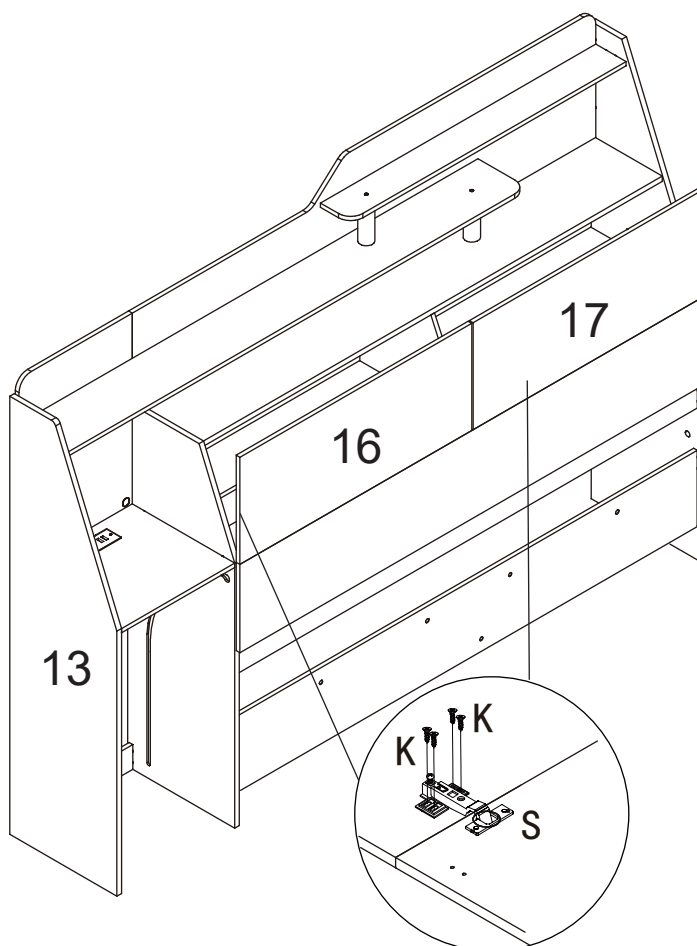


Ø 3.5 x 12 mm

S*4



31.

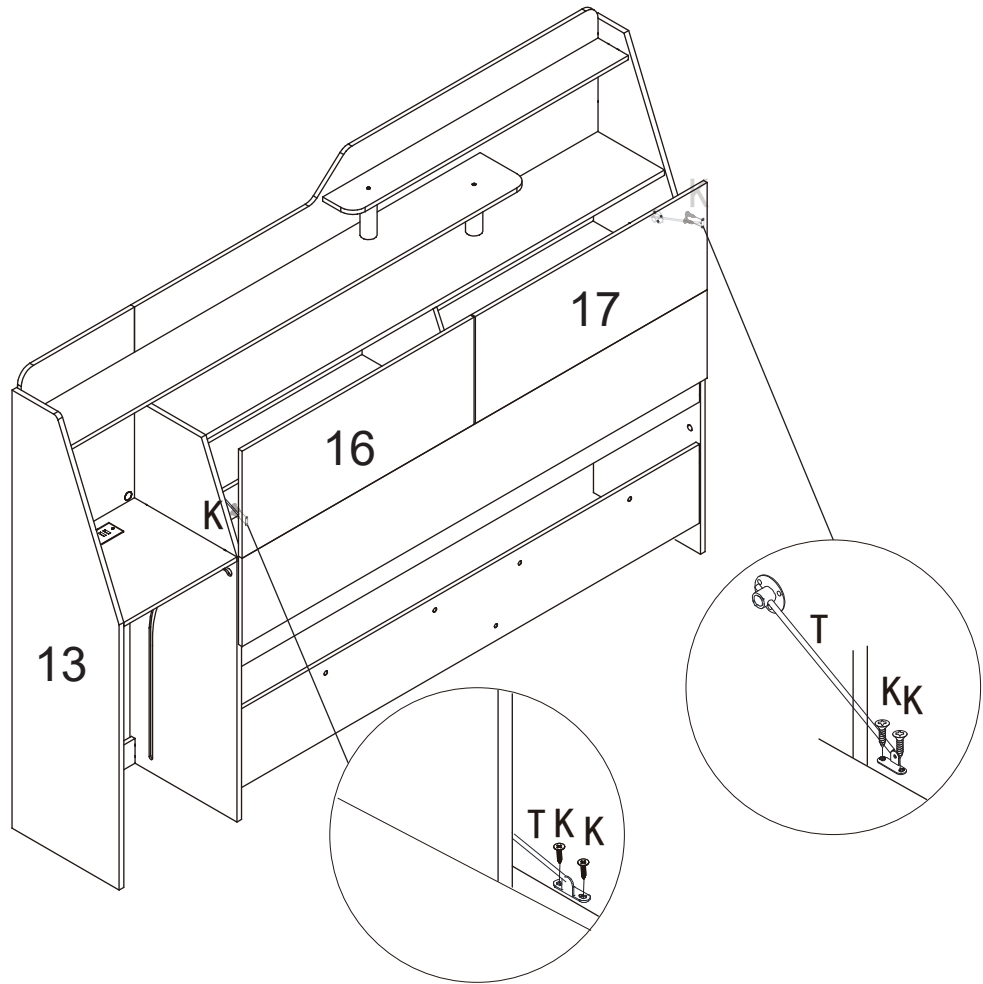


K*16



Ø 3.5 x 12 mm

32.

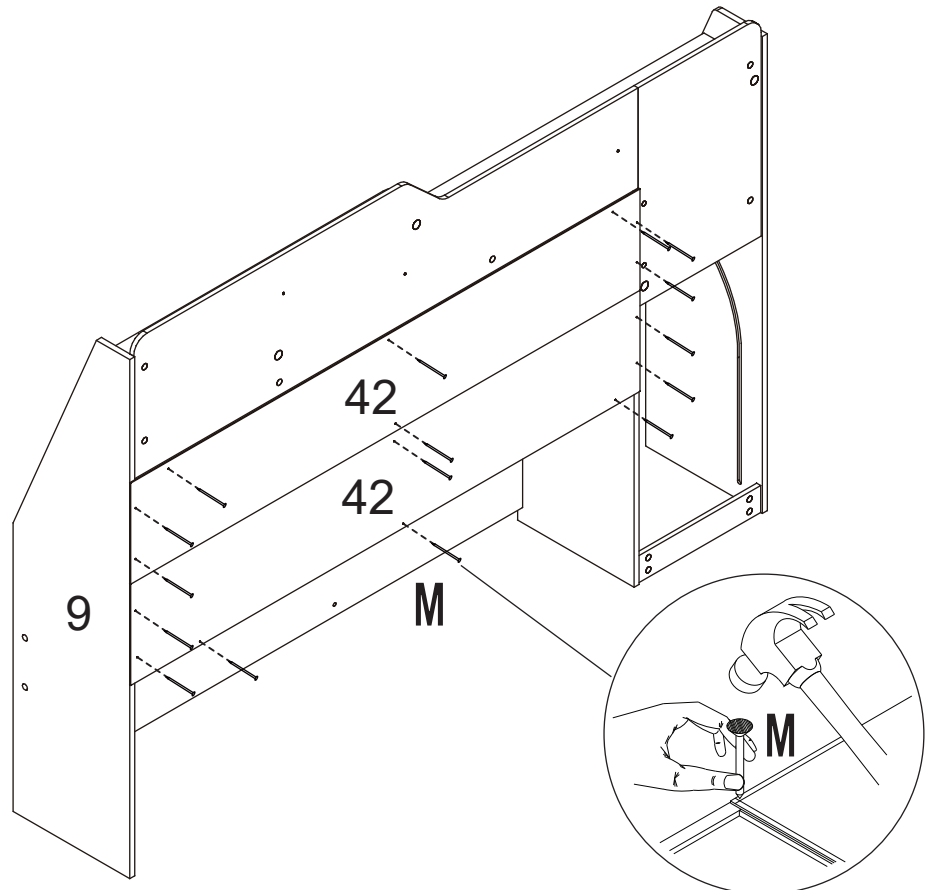


K*4

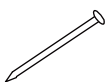


Ø3.5 x 12 mm

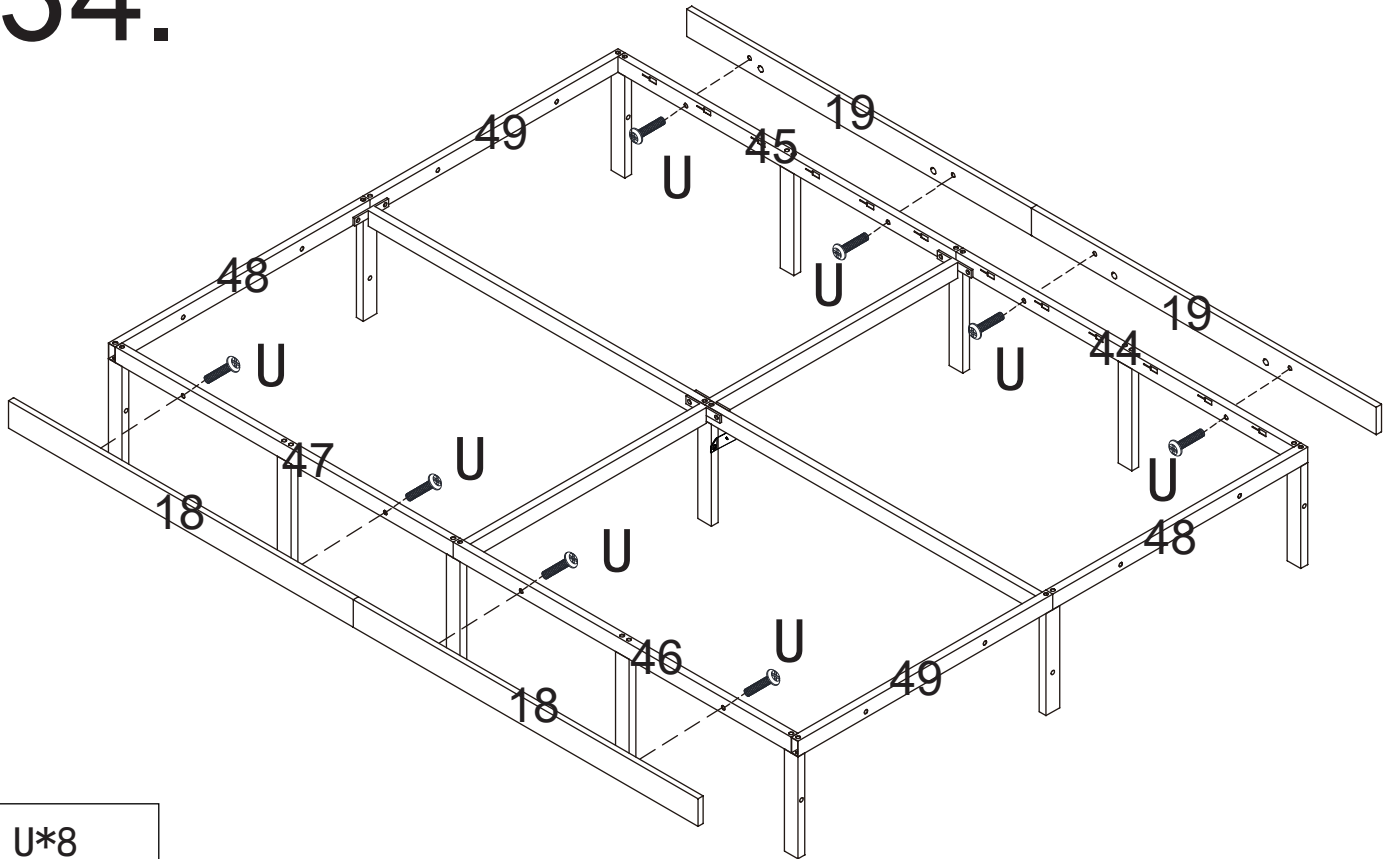
33.



M*16



34.

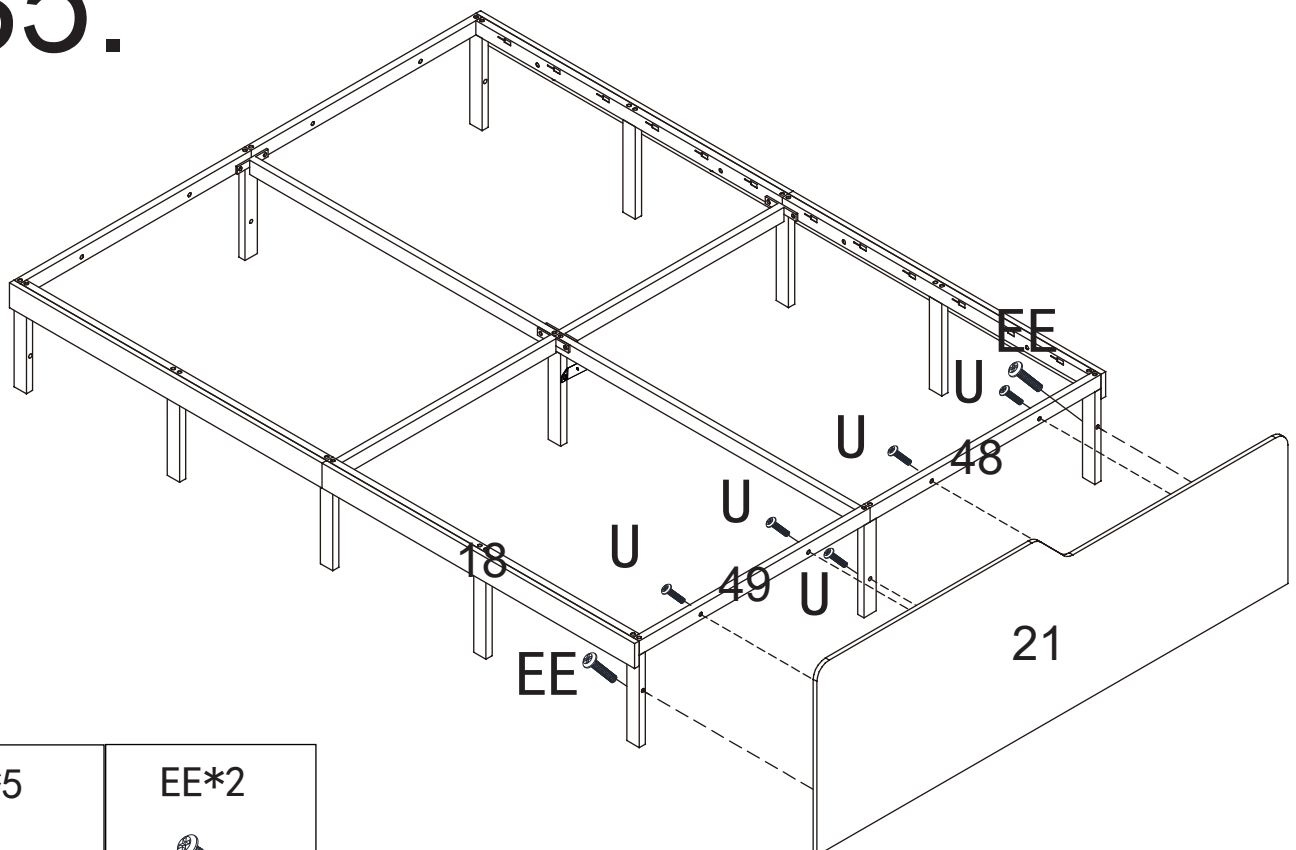


U*8



Ø 6 x 25 mm

35.



U*5



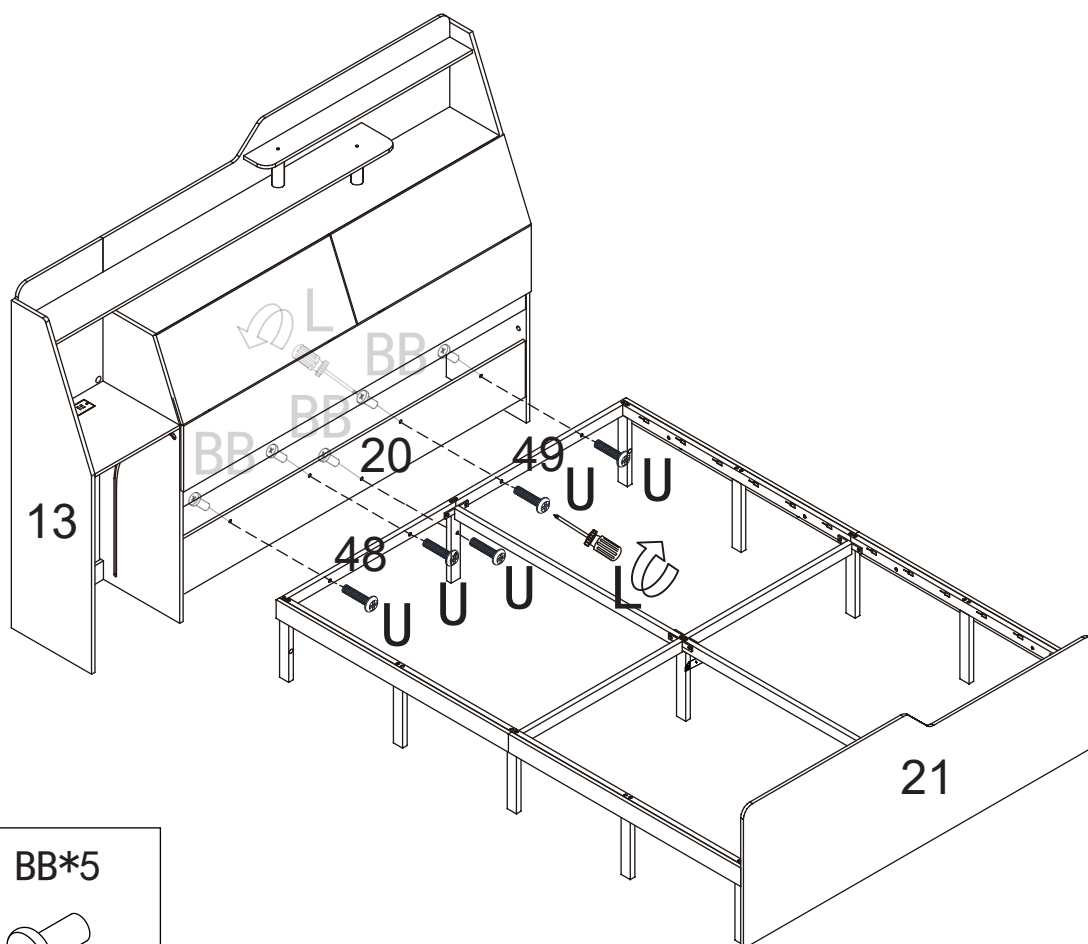
Ø 6 x 25 mm

EE*2



Ø 6 x 45 mm

36.



U*5

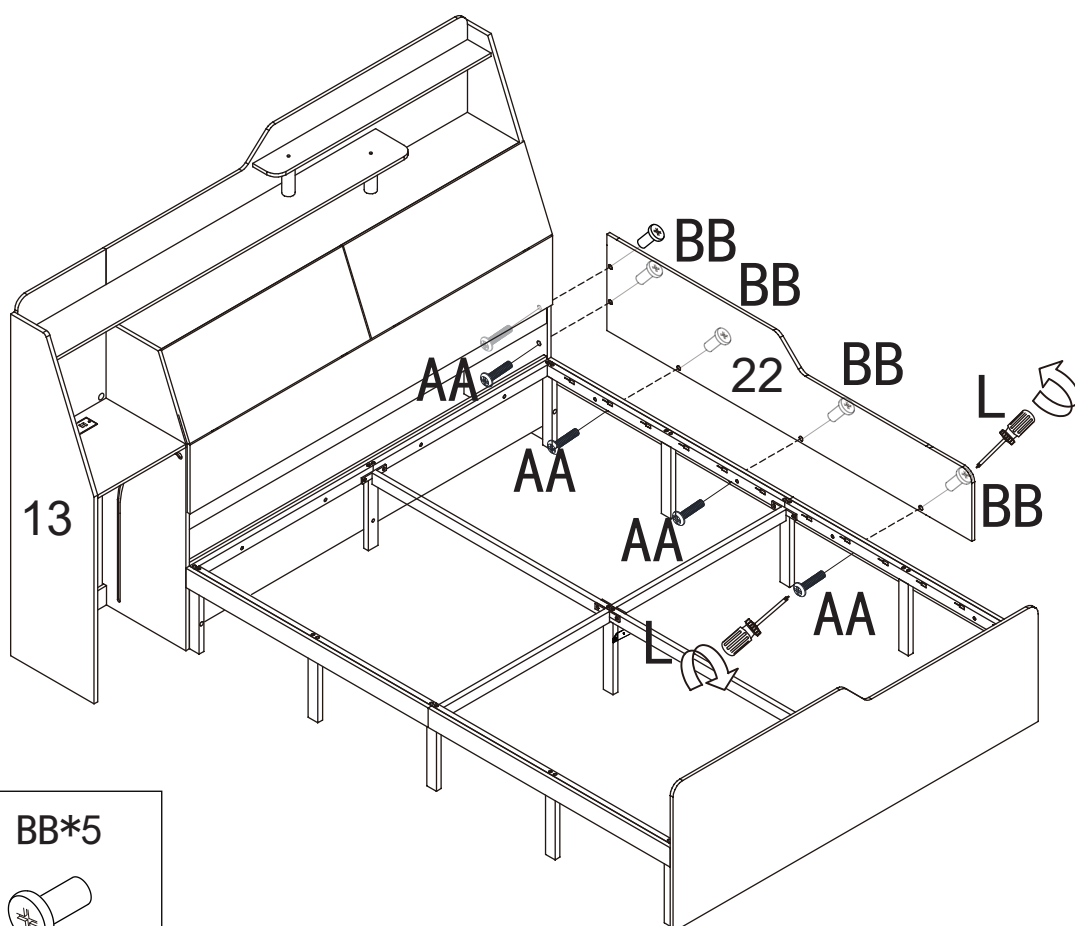


Ø6 x.25 mm

BB*5



37.



AA*5

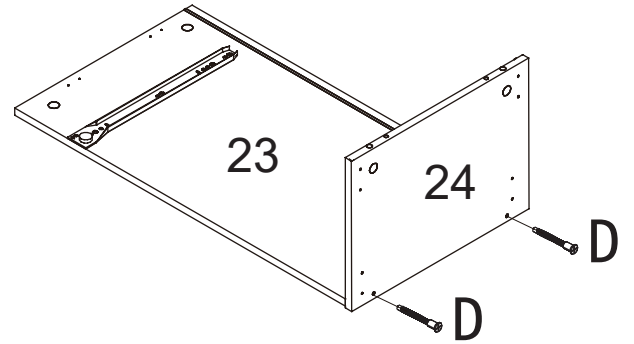
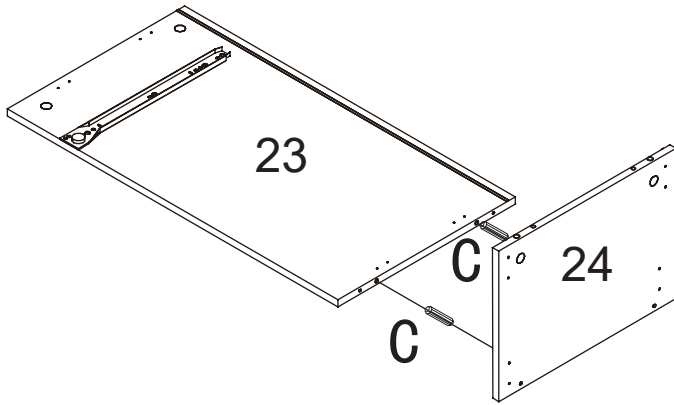


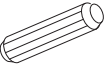

Ø6 x.18 mm

BB*5

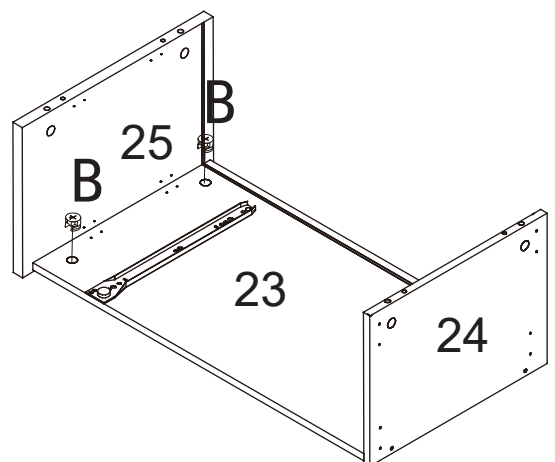
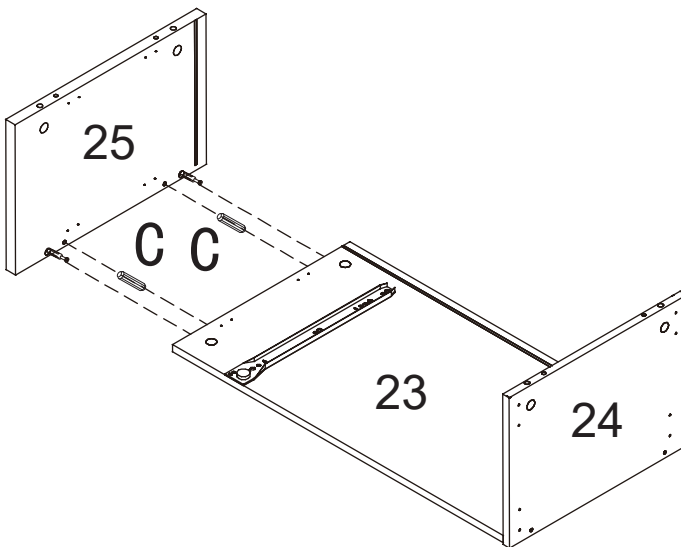


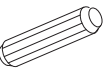

38.



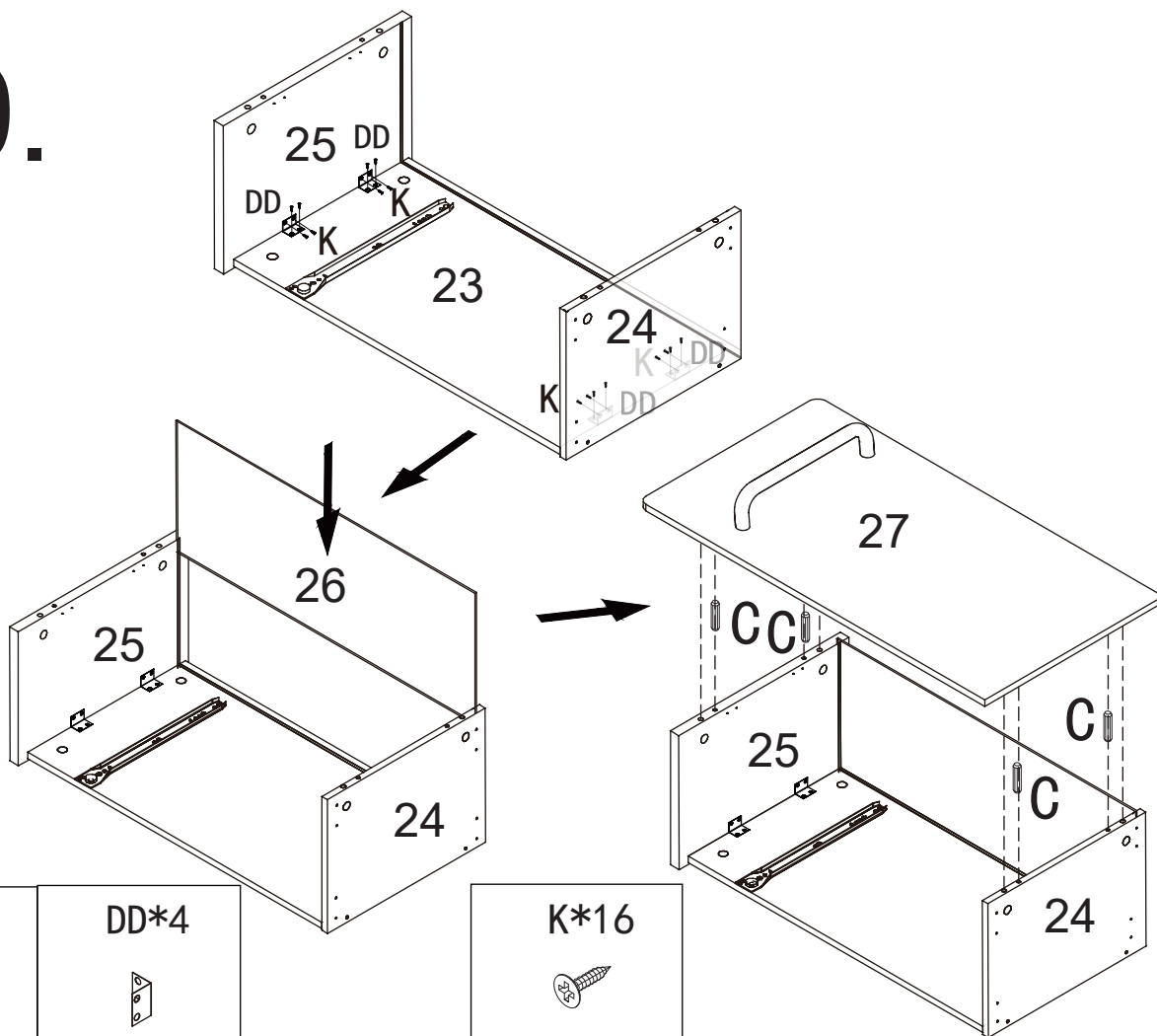
C*2  Ø 6 x 30 mm	D*2  Ø 5 x 40 mm
--	--

39.

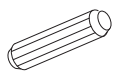


C*2  Ø 6 x 30 mm	B*2 
--	---

40.



C*4



Ø 6 x 30 mm

DD*4

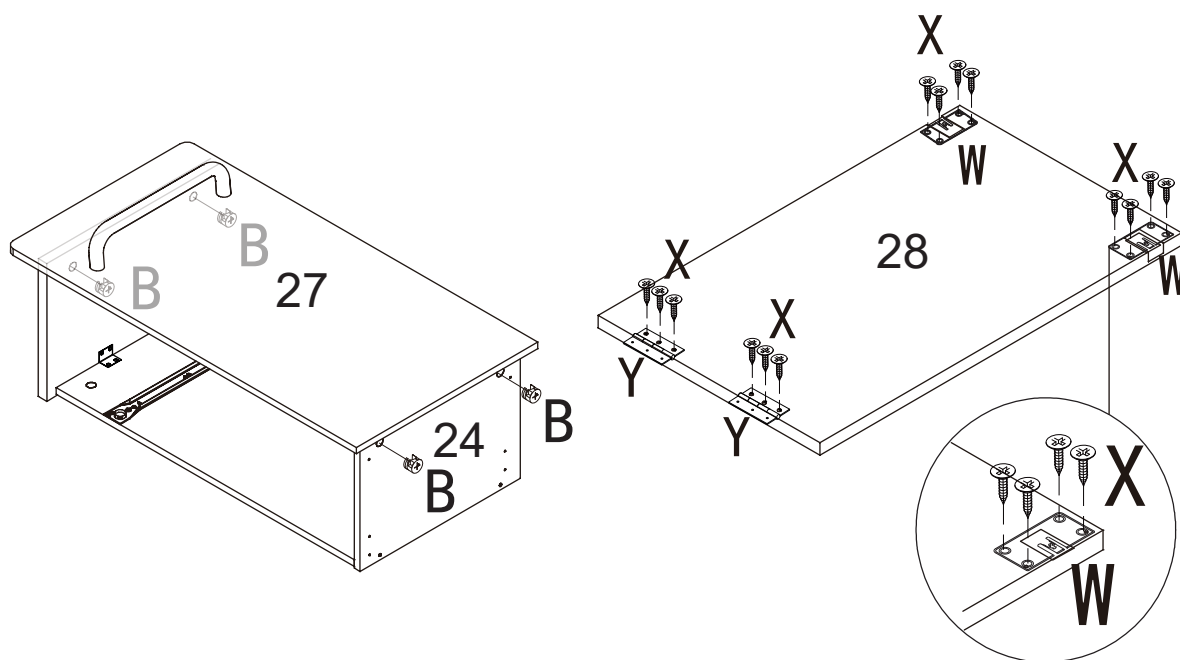


K*16



Ø 3.5 x 12 mm

41.



B*4



W*2



Y*2

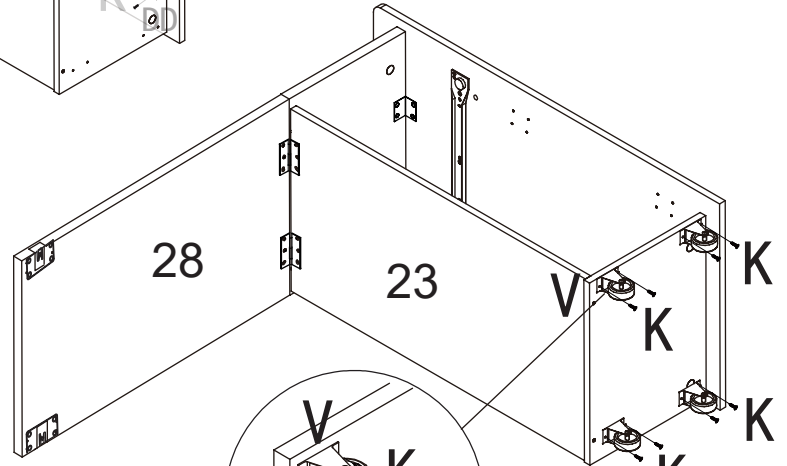
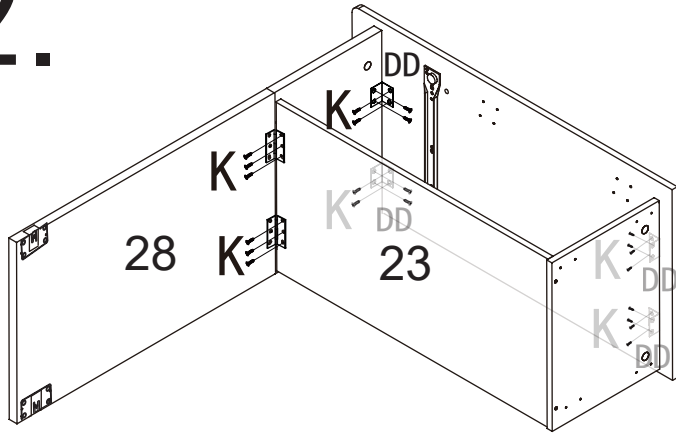


X*14



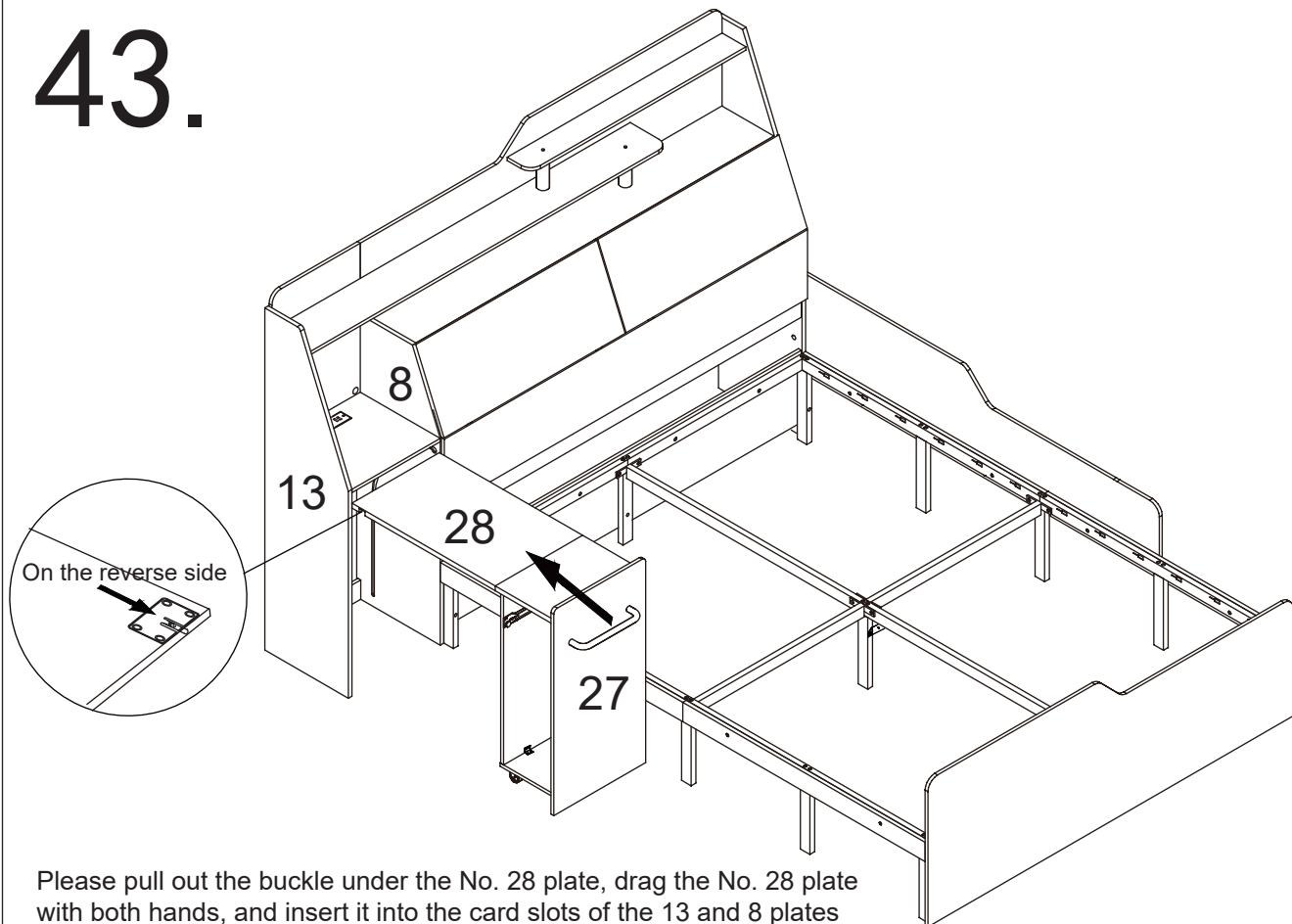
Ø 3.5 x 16 mm

42.



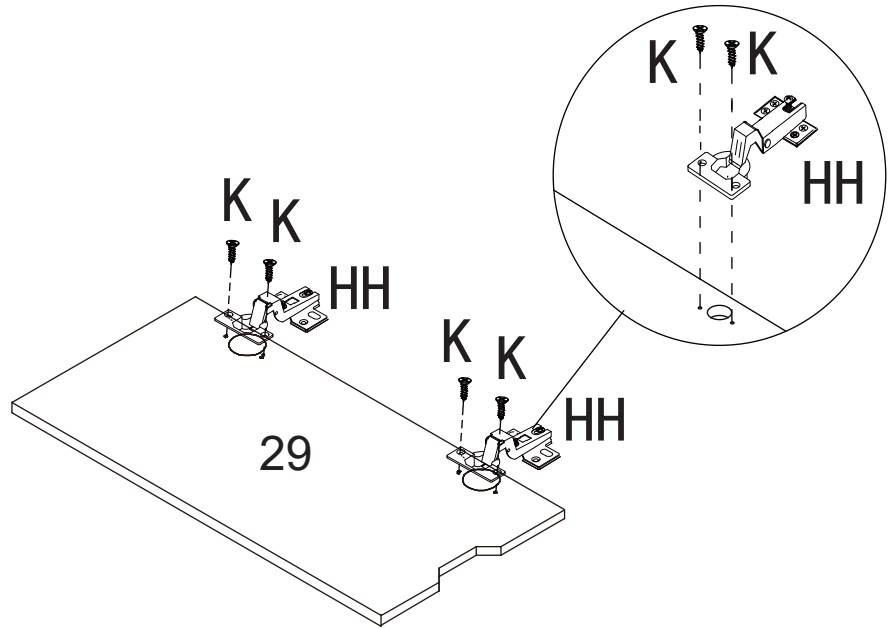
V*4	K*30	DD*4
	 Ø 3.5 x 12 mm	

43.

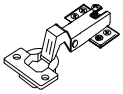


Please pull out the buckle under the No. 28 plate, drag the No. 28 plate with both hands, and insert it into the card slots of the 13 and 8 plates

44.



HH*2

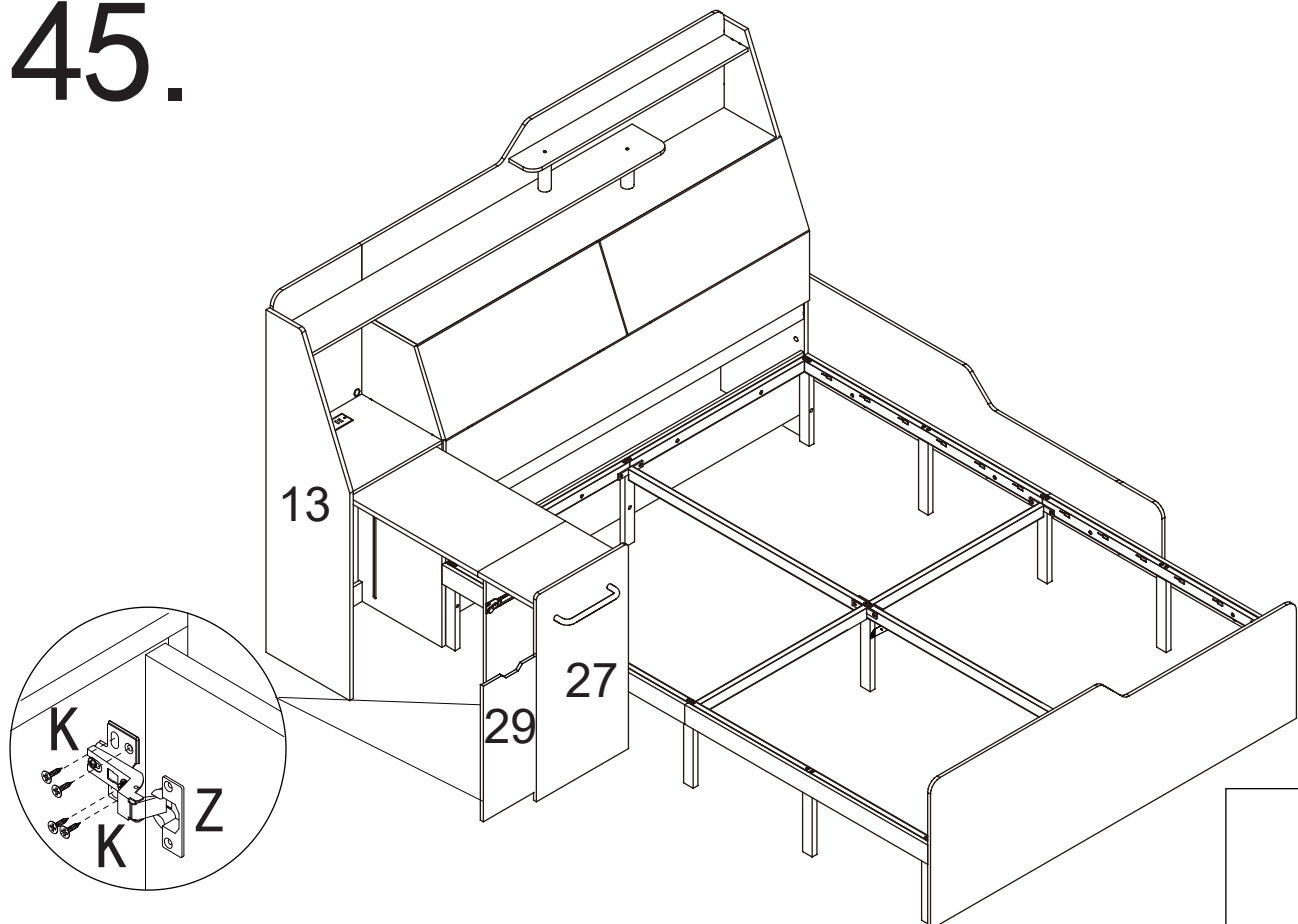


K*4



Ø3.5 x 12 mm

45.

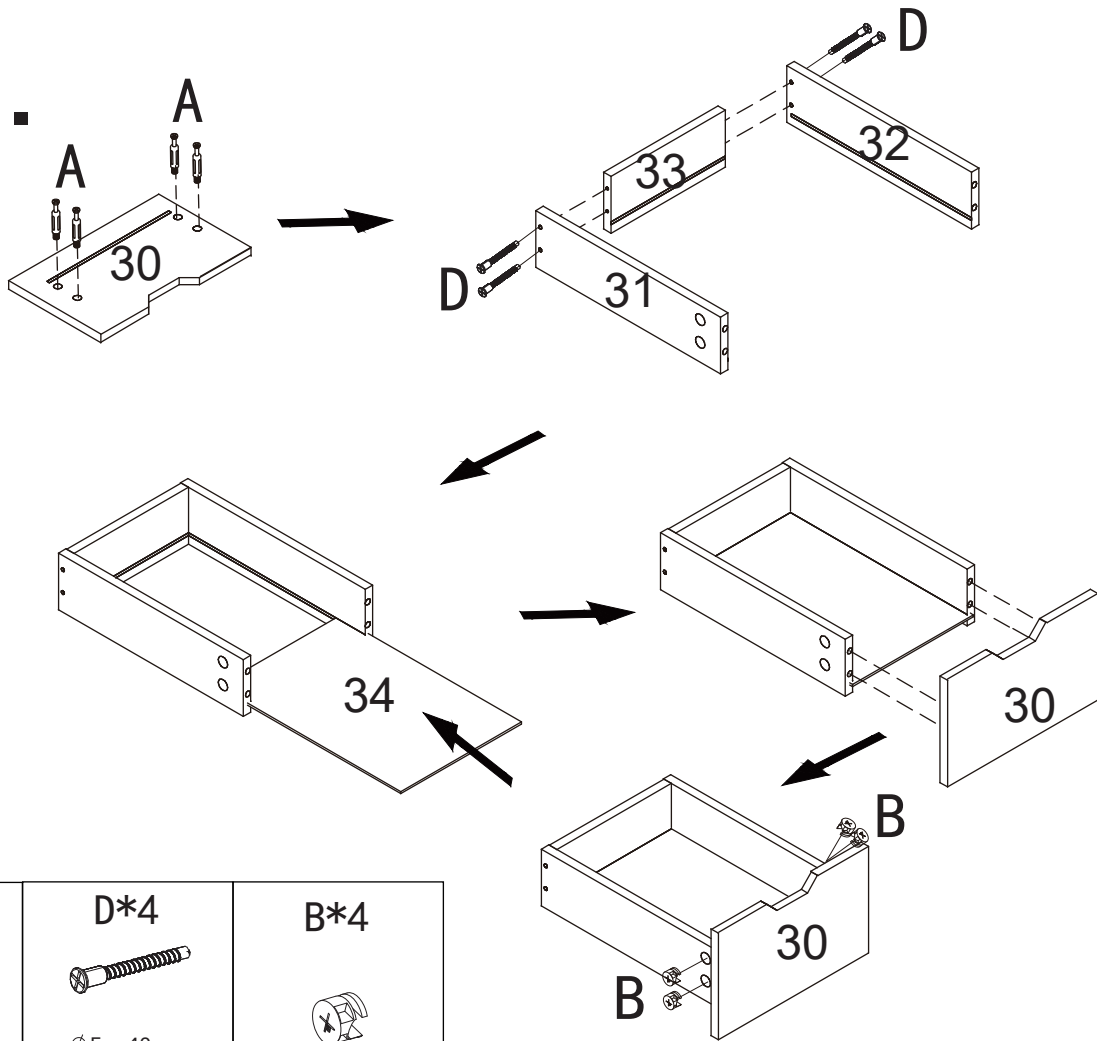





K*8



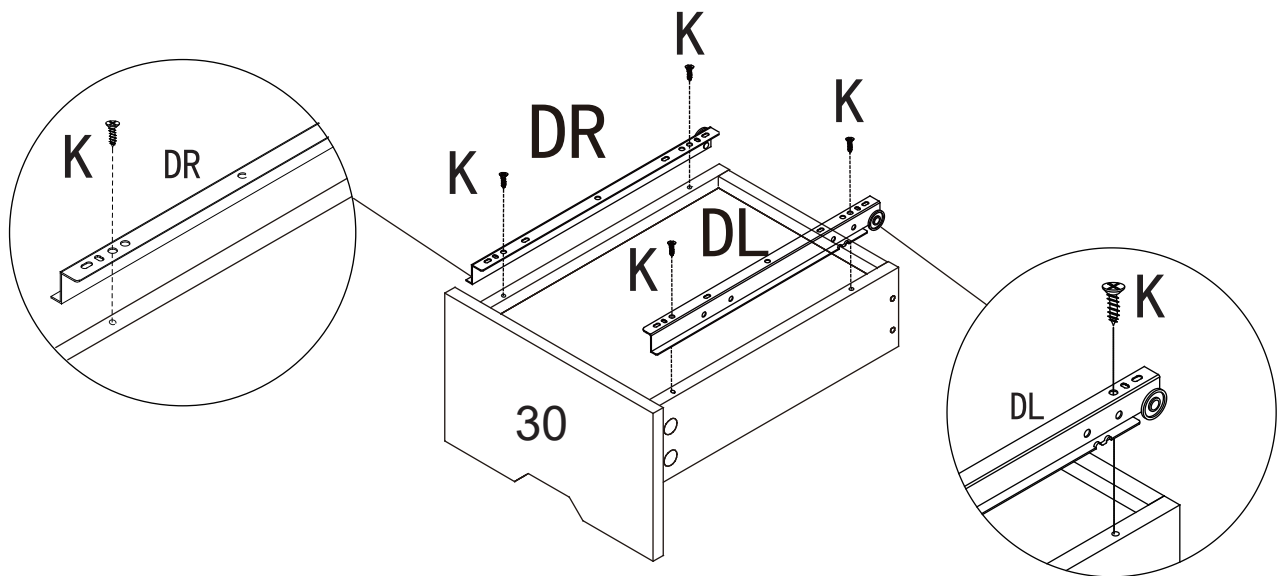
Ø3.5 x 12 mm


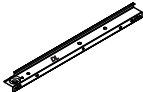
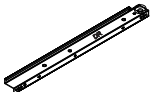
46.



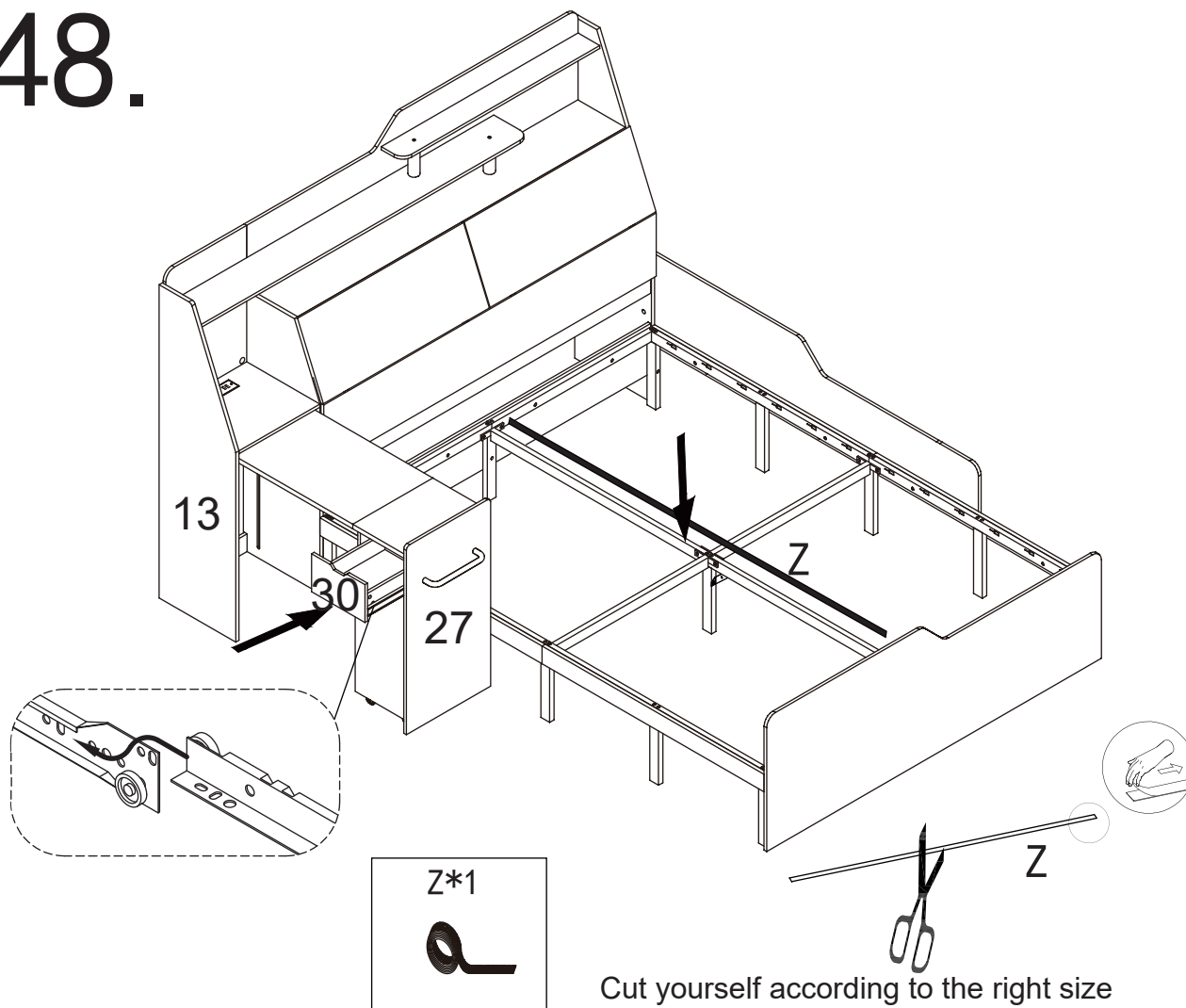
<p>A*4</p> 	<p>D*4</p>  <p>Ø 5 x 40 mm</p>	<p>B*4</p> 
--	---	--

47.

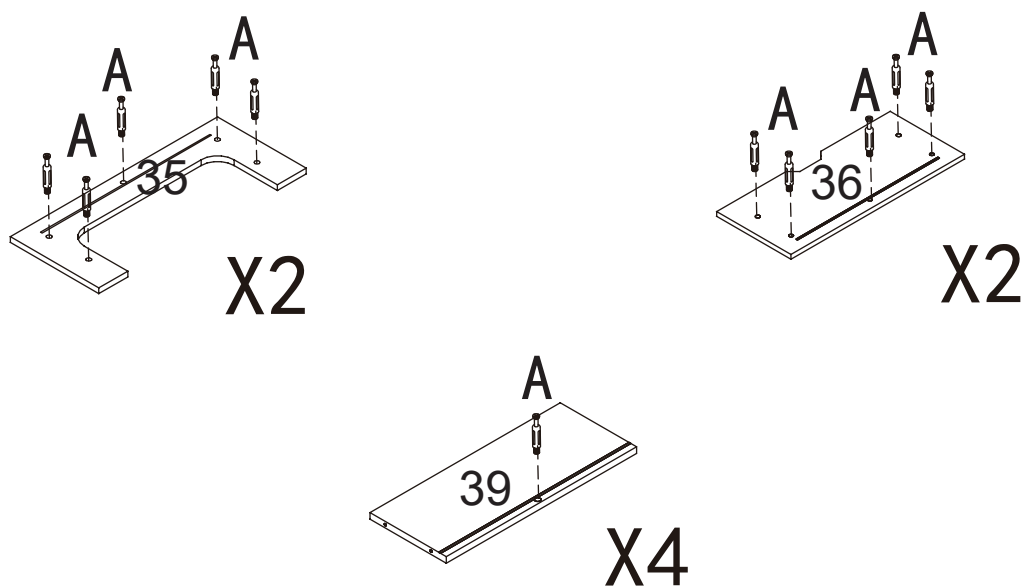


<p>K*4</p>  <p>Ø 3.5 x 12 mm</p>	<p>G-DL*1</p>  <p>300mm</p>	<p>G-DR*1</p>  <p>300mm</p>
---	--	--

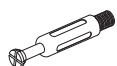
48.



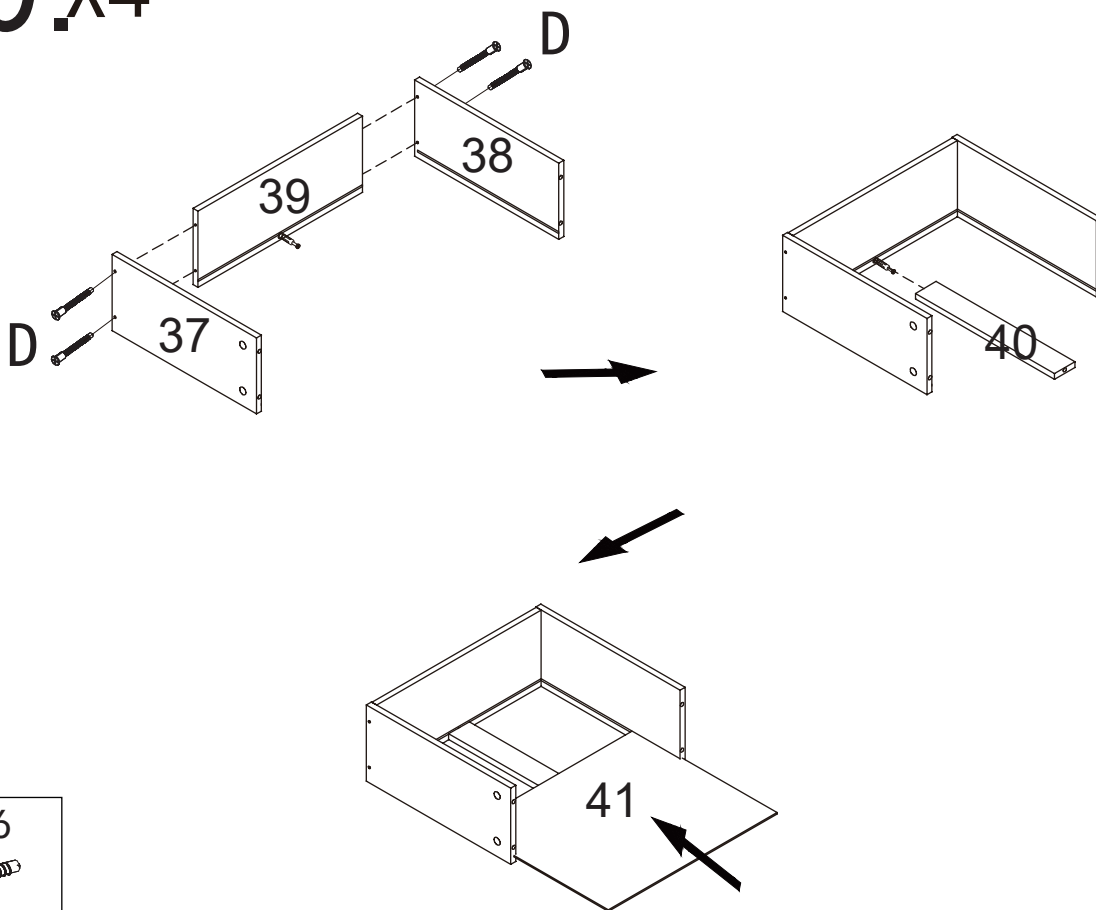
49.



A*24



50. x4

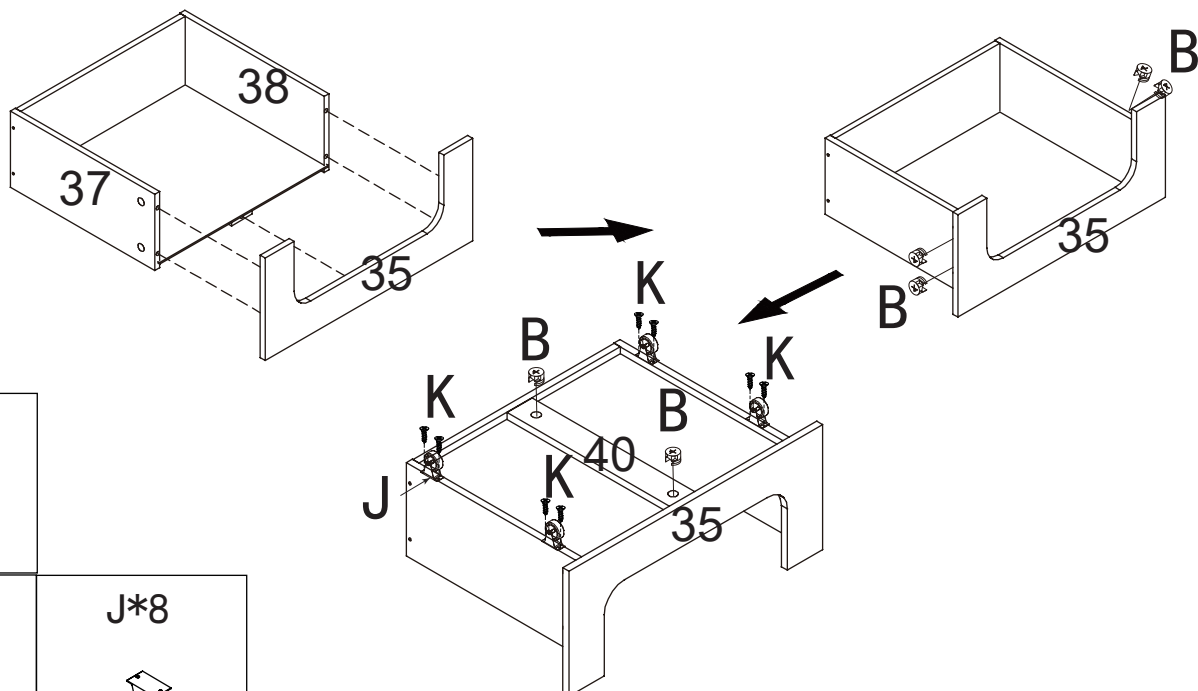


D*16



Ø5 x 40 mm

51. x2



B*12



K*16

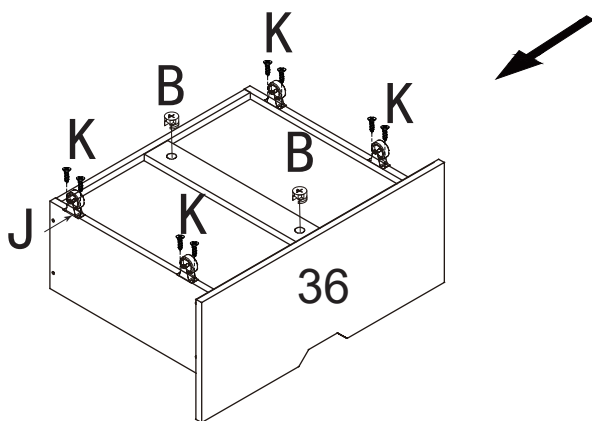
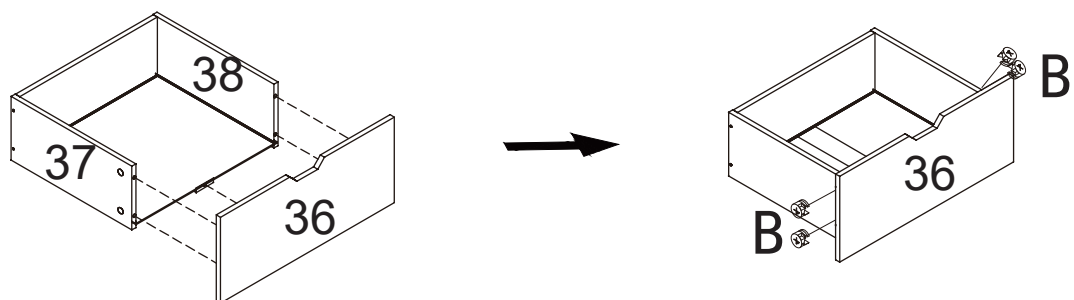


Ø3.5 x 12 mm

J*8



52.x2



B*12



K*16

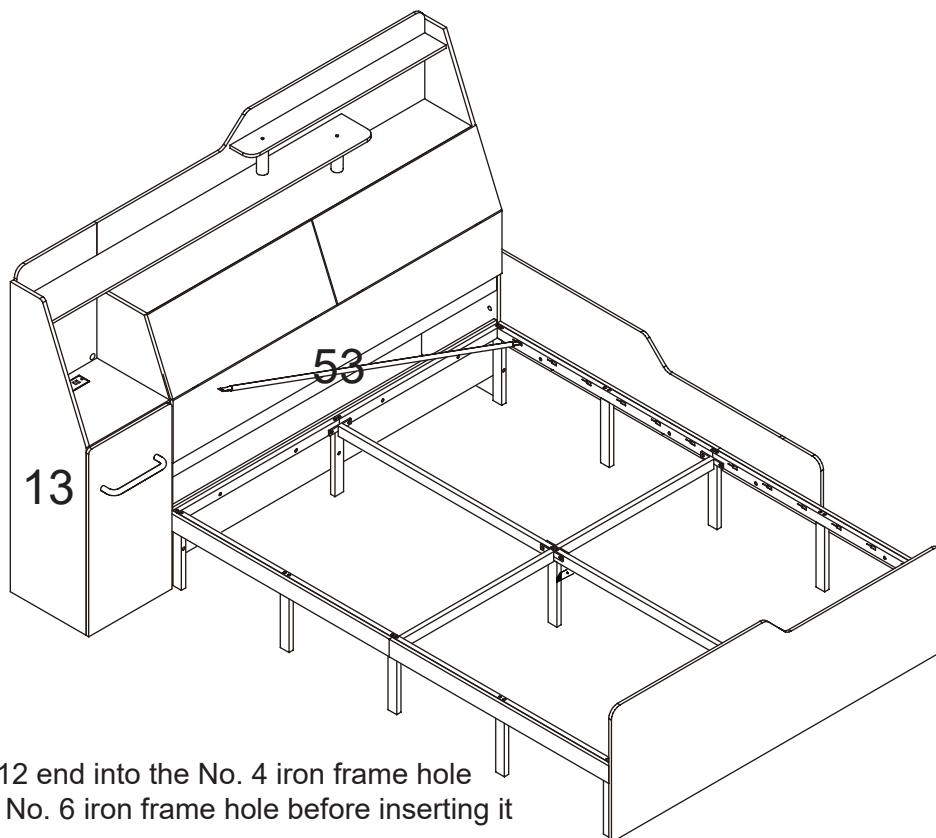


Ø3.5 x 12 mm

J*8



53.



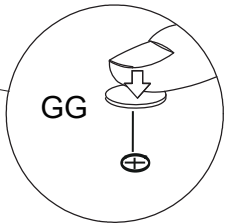
Insert the No. 12 end into the No. 4 iron frame hole and insert the No. 6 iron frame hole before inserting it

54.

Insert the iron frame 12 sequentially

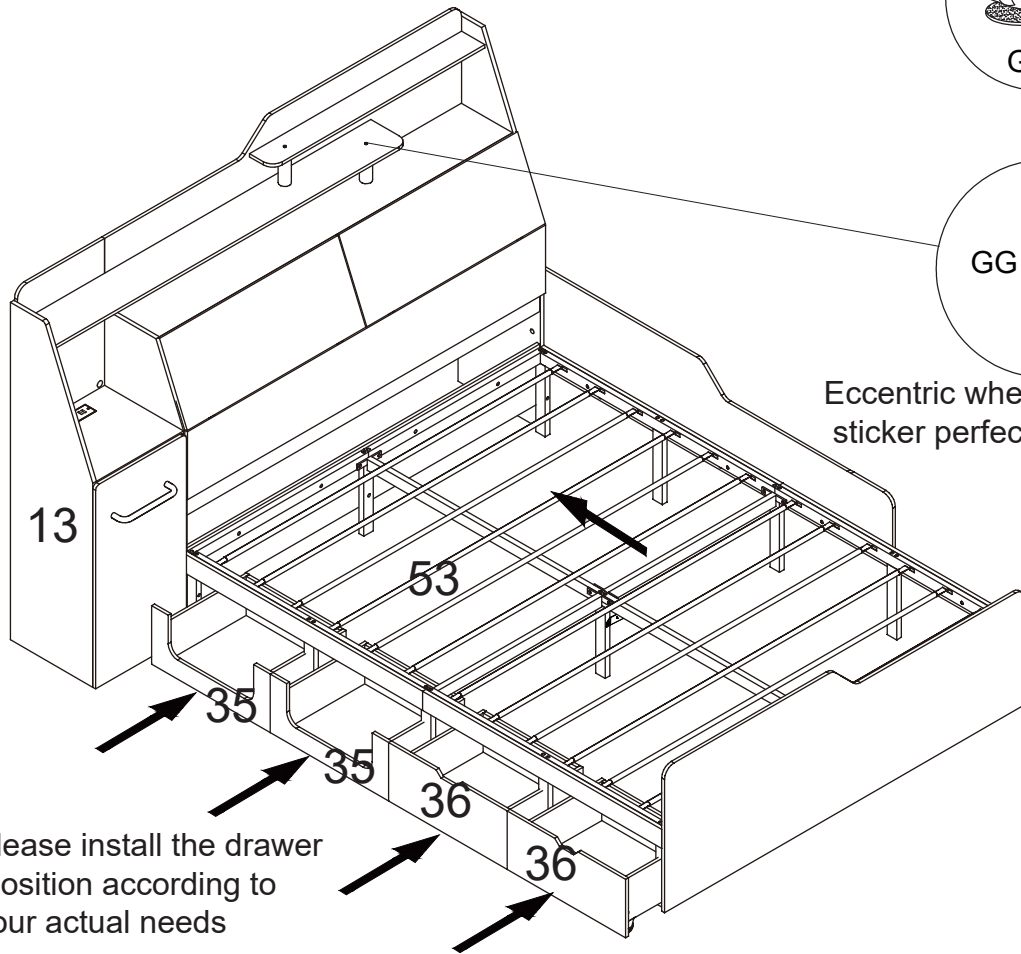


GG



GG

Eccentric wheel visible hole sticker perfectly fits GG

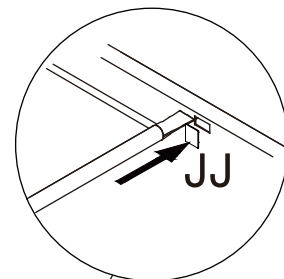


GG*30

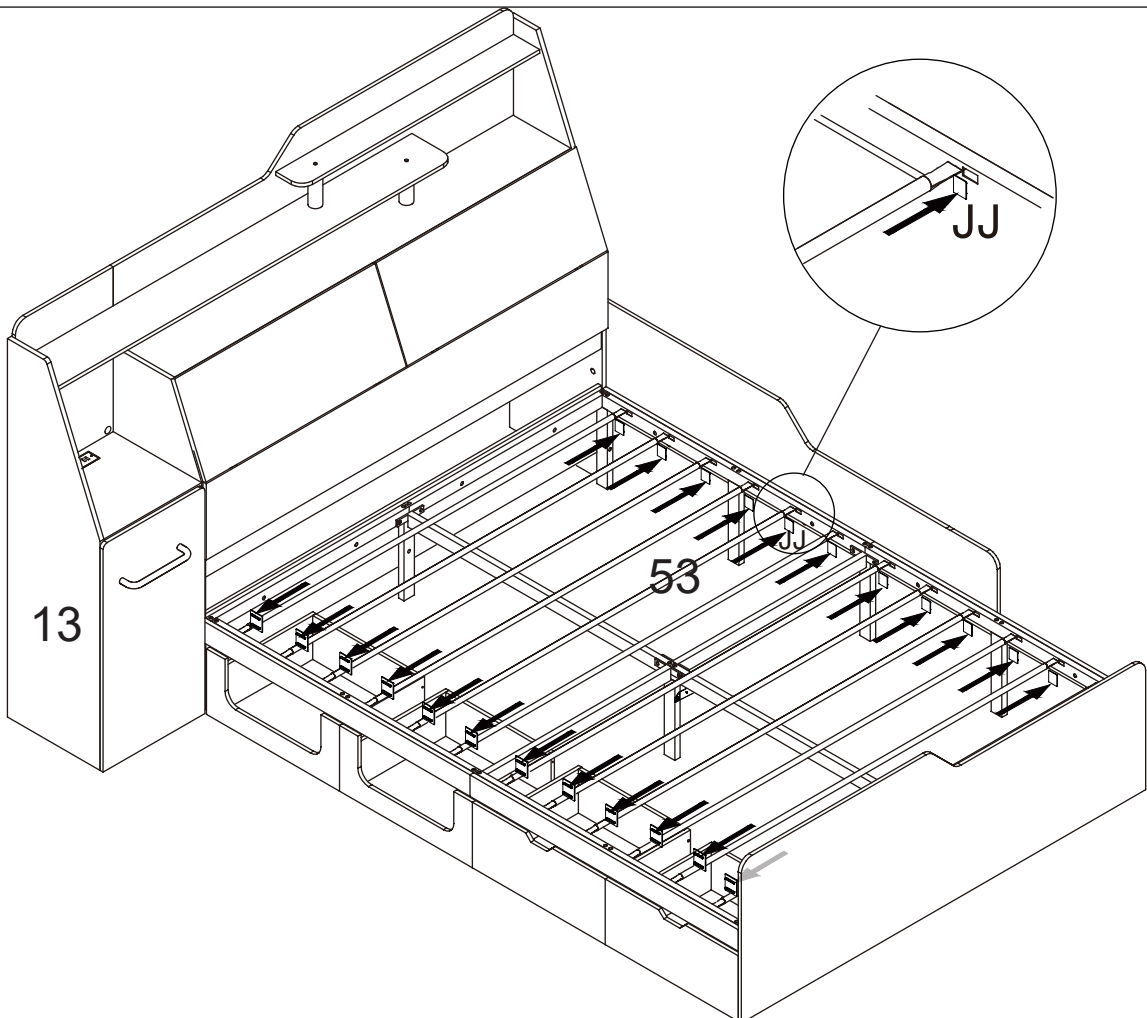


Please install the drawer position according to your actual needs

55.



JJ



JJ*24

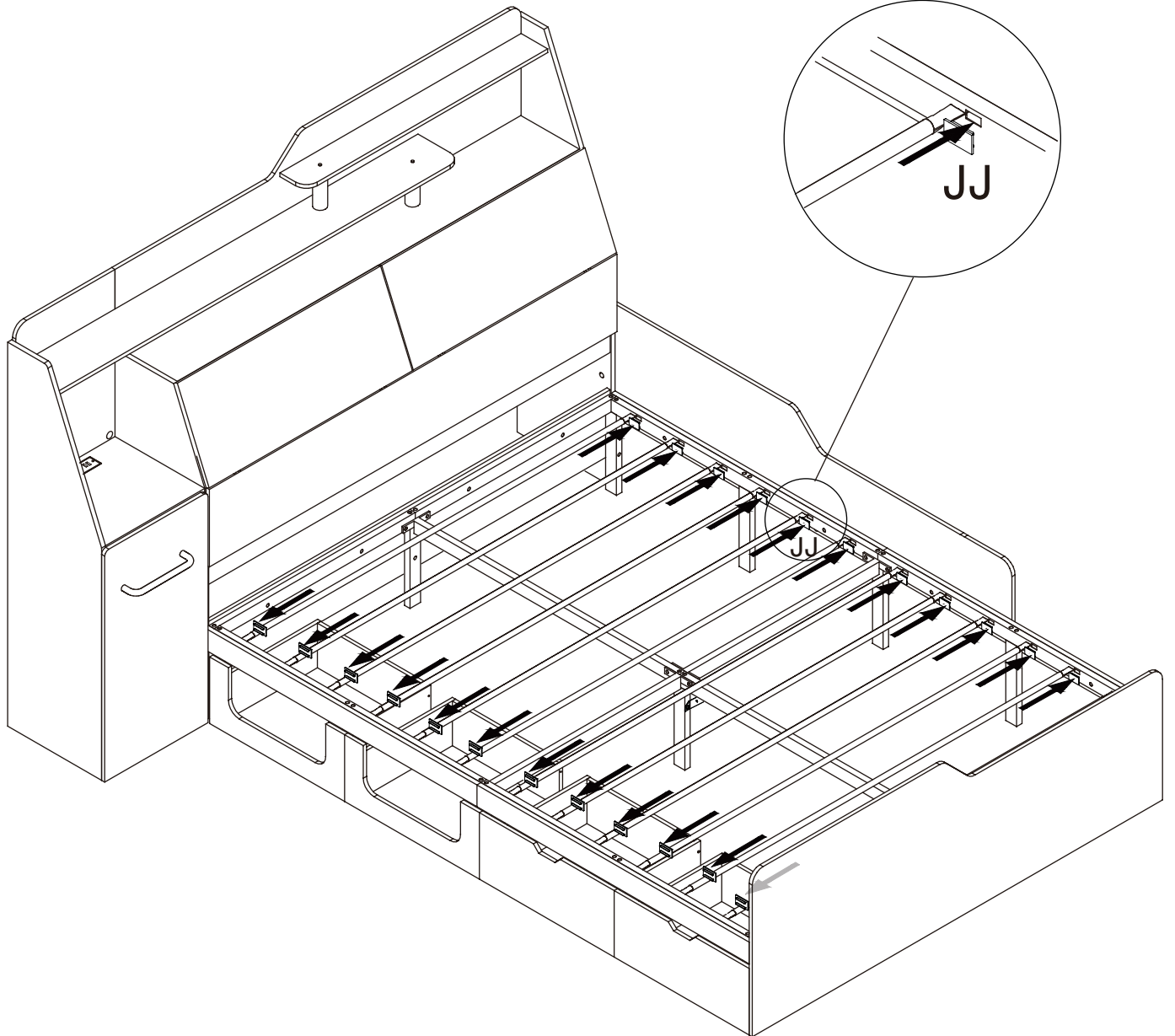


56.

Ⓝ JJ



Positioning piece x24



57.

