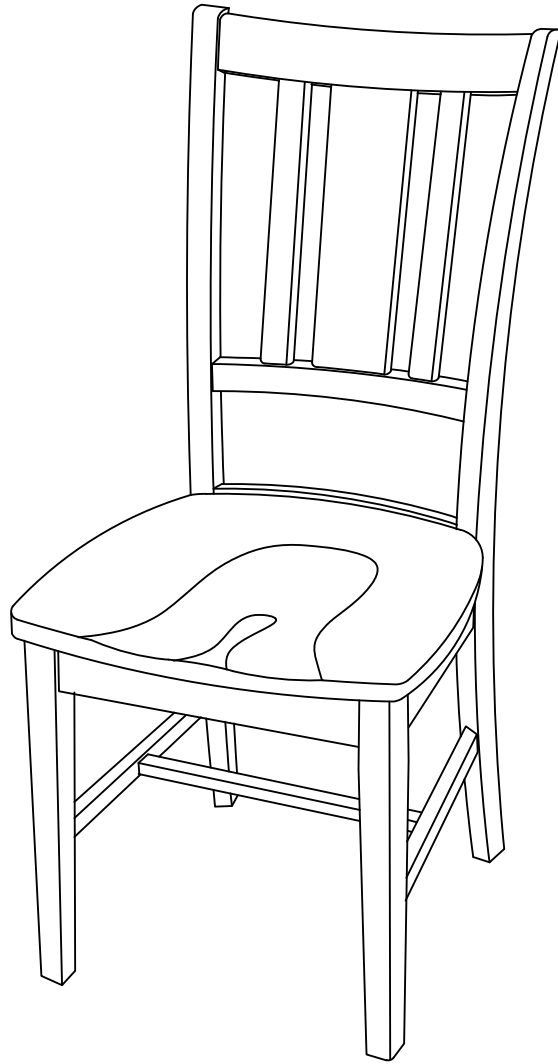


# ASSEMBLY INSTRUCTIONS

---



---

Description : SLATBACK CHAIR / DESK CHAIR

# BEFORE ASSEMBLY

## IMPORTANT NOTE:

- Place all wooden parts on a clean and smooth surface such as a rug or carpet to avoid the parts from being scratched.
- Remove all wrapping material, including staples & packing straps before you start to assemble.
- DO NOT tighten all screws and bolts until completely assembled.
- Keep all hardware parts out of reach of children.

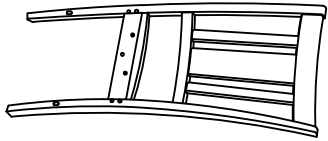
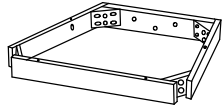

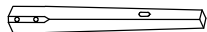
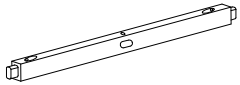
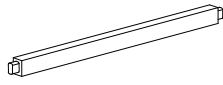
## ASSEMBLY TOOLS REQUIRED

NOT INCLUDED




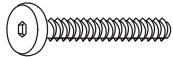
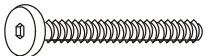
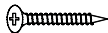



## PART LIST

When unpacking, please be careful not to discard any parts with the packaging. Before continuing, please make sure you have all of the following parts:

| NO | Description          | Qty | Sketch  | NO | Description      | Qty | Sketch  |
|----|----------------------|-----|---|----|------------------|-----|---|
| A  | Chair back           | 1   |  | B  | Seat Frame       | 1   |  |
| C  | Chair Seat           | 1   |  | D  | Front Leg (L-R)  | 2   |  |
| E  | Side Stretcher (L-R) | 2   |  | F  | Middle Stretcher | 1   |  |

## HARDWARE LIST

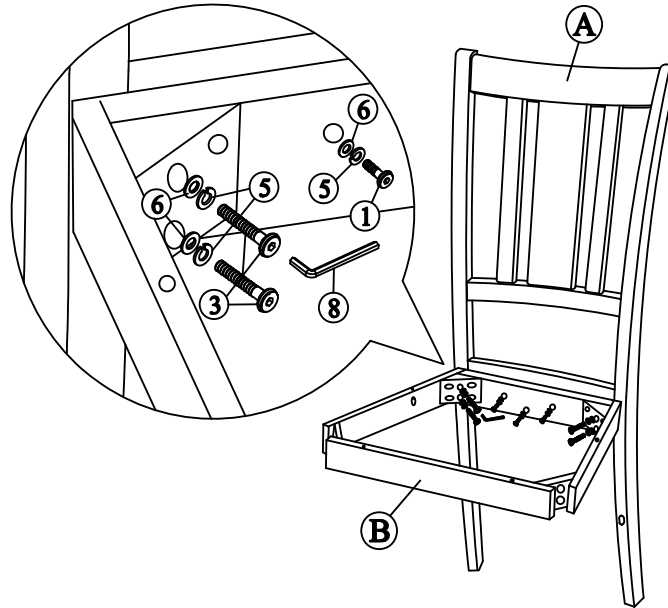
When unpacking, please be careful not to discard any parts with the packaging. Before continuing, please make sure you have all of the following hardware:

| NO | Description               | Qty | Sketch  | NO | Description               | Qty | Sketch  |
|----|---------------------------|-----|---|----|---------------------------|-----|---|
| 1  | Short bolt (M6 x 40mm)    | 3   |  | 2  | Medium bolt (M6 x 60mm)   | 4   |  |
| 3  | Long bolt (M6 x 80mm)     | 4   |  | 4  | Long Screw (M4 x 35mm)    | 8   |  |
| 5  | Lock Washer (Ø6.5 x 11mm) | 11  |  | 6  | Flat Washer (Ø6.5 x 19mm) | 11  |  |
| 7  | Screw (M3.5 x 15mm)       | 2   |  | 8  | Allen Key (M4x80mm)       | 1   |  |

## STEP 1

Attach seat frame (B) to the back (A) with bolts (1) and (3), and washers (5) and (6), as shown below. Tighten with Allen key (8).

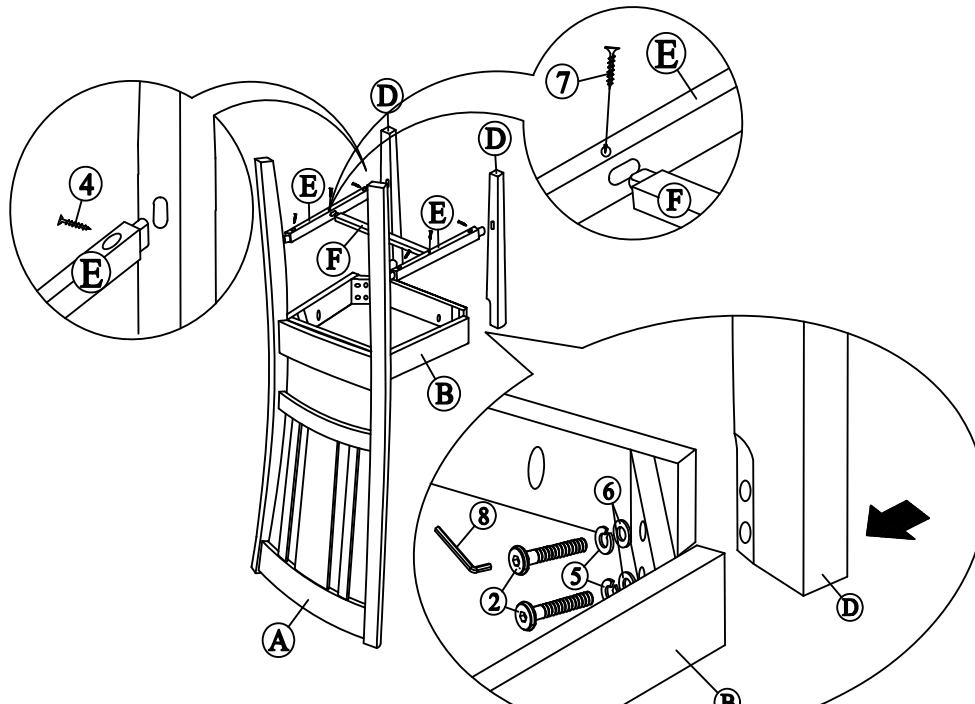
Note: DO NOT tighten any of the bolts, until the chair is assembled, then put on a flat level surface to make sure the chair is level and then tighten the bolts.



## STEP 2

Attach front legs (D) to the seat frame (B) with bolts (2), and washers (5) and (6). Tighten with Allen key (8).

Place side stretchers (E) and middle stretcher (F) between front and back legs. Attach stretchers with the screws (4) and (7) as shown below. Tighten with a screwdriver.



## STEP 3

Attach the seat (C) to top of the seat frame (B) with screws (4) .Tighten with a screwdriver.

