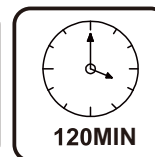
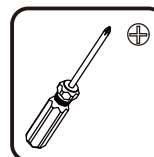
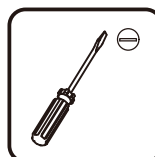
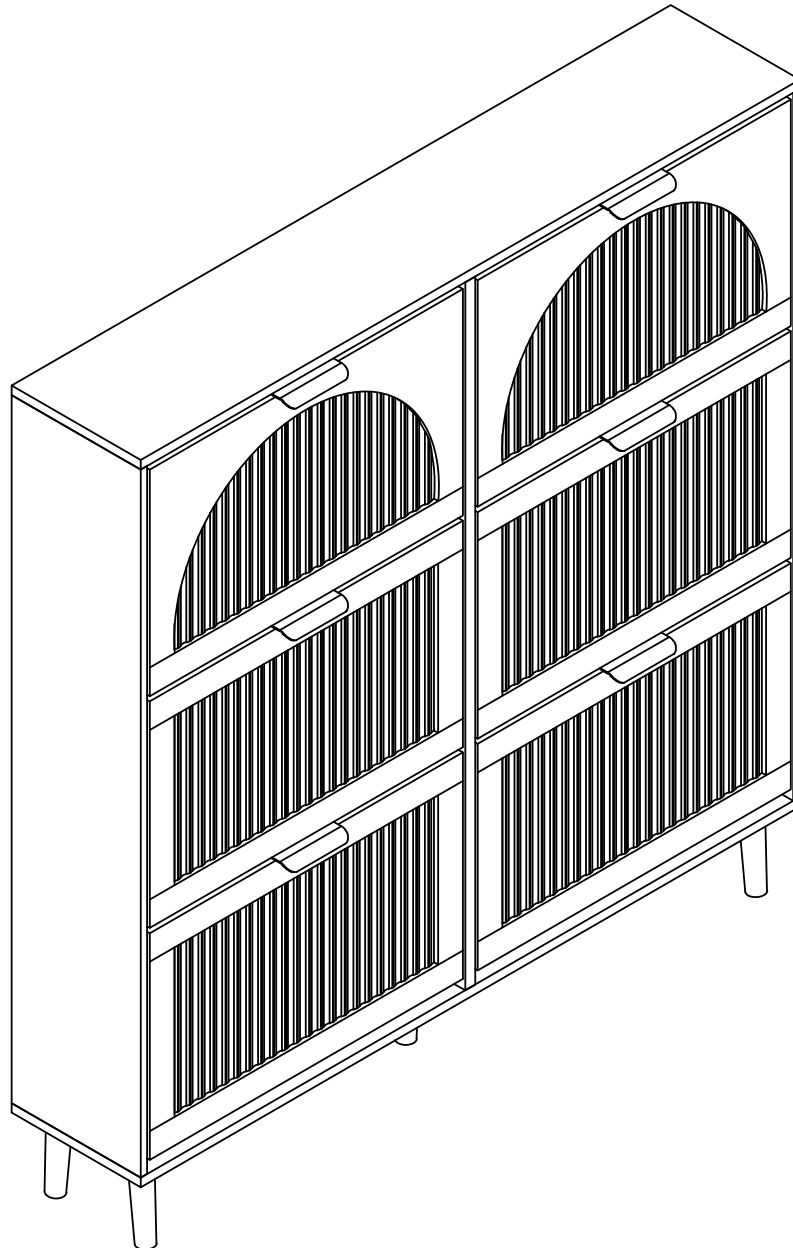


# Installation & Assembly

Version:1.0



**EN\_IMPORTANT, RETAIN FOR FUTURE REFERENCE: READ CAREFULLY.**

. THANK YOU FOR PURCHASE! .

# FREE REPLACEMENT PARTS AVAILABLE!



*---NEED HELP WITH YOUR FURNITURE?---*

Scan the QR code to contact us!

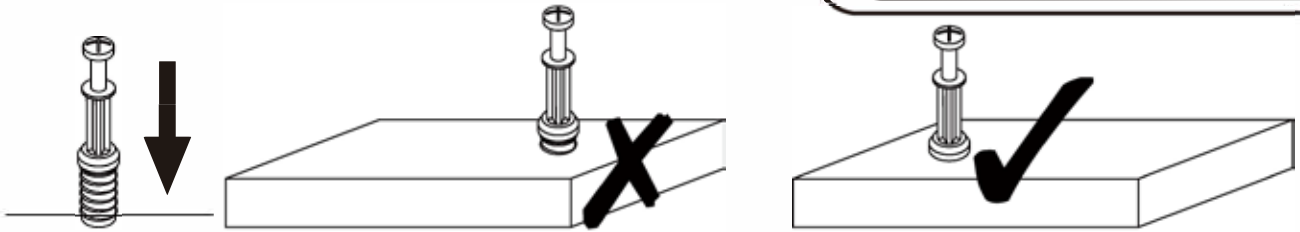


If you're experiencing any issues—whether due to shipping, assembly, or any other reason  
—we're here to help.  
For any damaged or missing components, we're happy to provide FREE replacement parts.

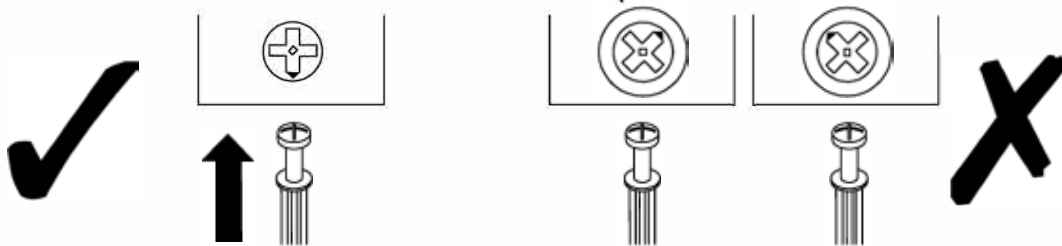
## *WANT TO CONTACT US THROUGH*

- ▶ Log in to your account.
- ▶ Go to “Your Orders” and locate your furniture order.
- ▶ Click on “Get Help with Order” to send us a message directly.

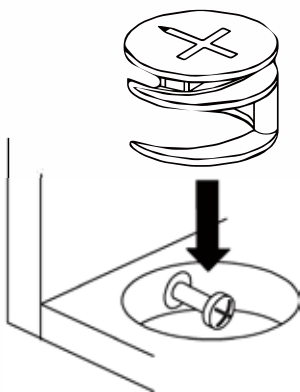
Our customer support team is ready to assist you and we will respond within  
12-24 HOURS to resolve your concerns quickly!



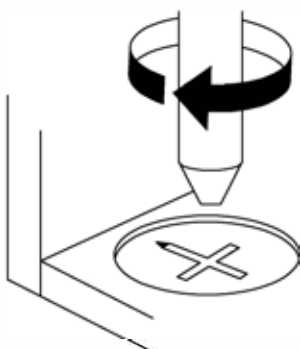
**EN\_QUICKFIT:** Tighten quickfit until shoulder is flush with panel. Do not overtighten or undertighten.



**EN\_CAM LOCK:** When fitting cam lock, ensure starting position is correct before you insert connecting quickfit.

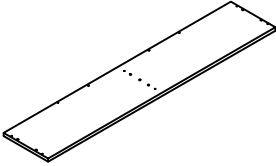
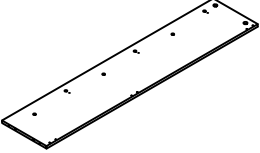
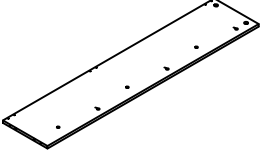
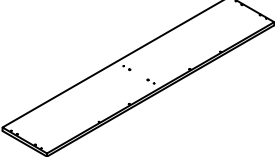
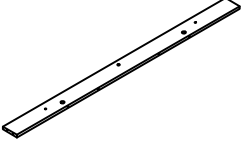
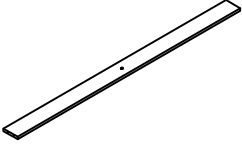
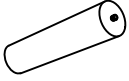
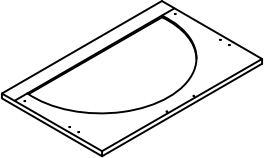
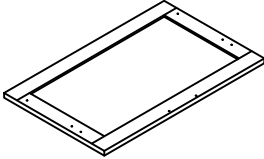
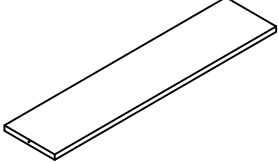


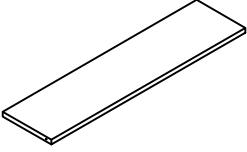
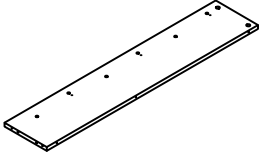
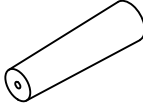
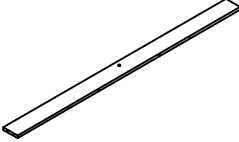

**EN\_Quickfit** head should be in the centre of the cam lock when the two panels are joined.  
Cam lock should be inserted before quickfit.

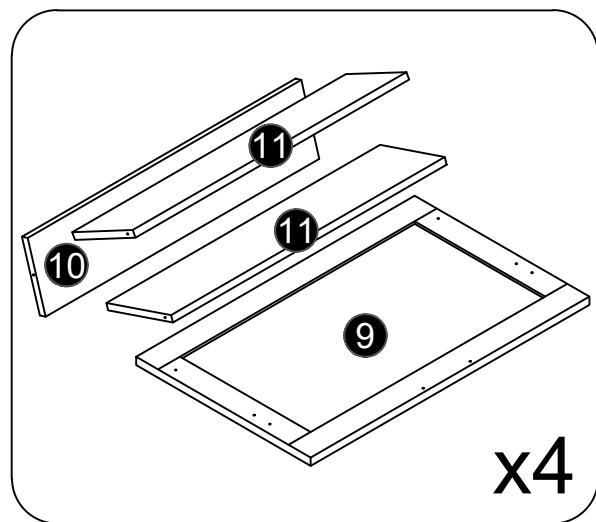
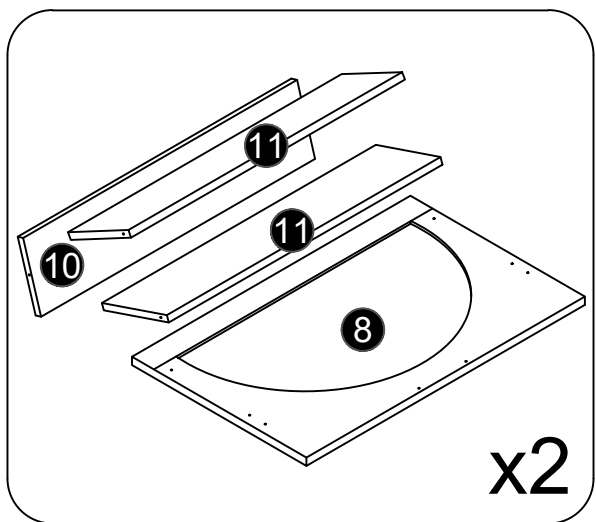
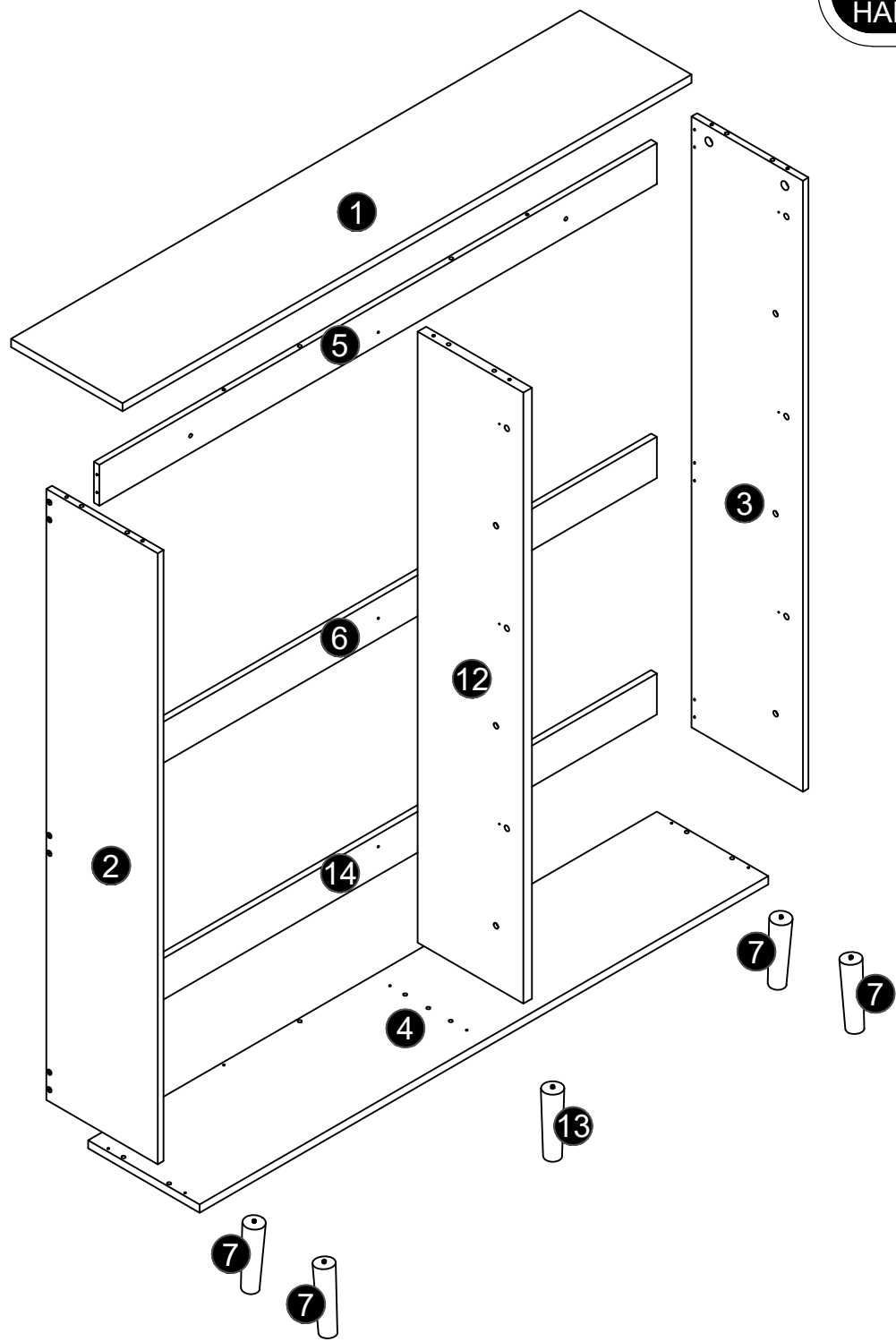


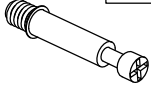


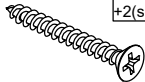


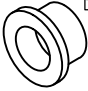
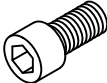
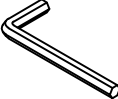
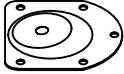



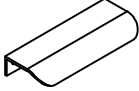




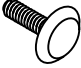
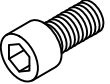
**EN\_Turn** cam lock clockwise to tighten.

**PACKING DELALS**

NO.	PARTS	QTY	SPARE
①		x1	
②		x1	
③		x1	
④		x1	
⑤		x1	
⑥		x1	
⑦		x4	
⑧		x2	
⑨		x4	
⑩		x6	

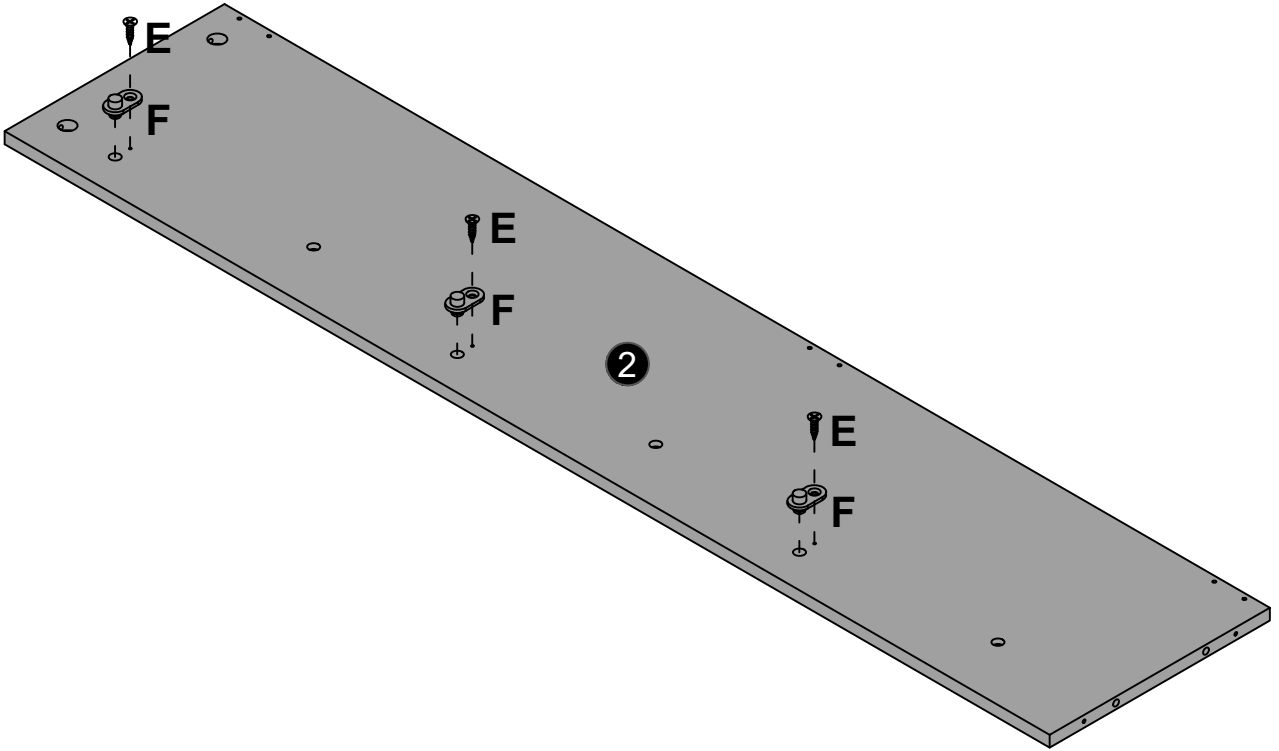
NO.		QTY	SPARE
⑪		x12	
⑫		x1	
⑬		x1	
⑭		x1	
	 Hardware Kit	x1	



<p><b>A</b> x8 Ø6x35mm</p> 	<p><b>B</b> x8 Ø15x10mm</p> 	<p><b>C</b> x16 Ø6x30mm</p> 	<p><b>D</b> x23 Ø4x35mm +2(spare)</p> 	<p><b>E</b> x84 Ø3.5x12mm +2(spare)</p> 	<p><b>F</b> x12 +1(spare)</p> 
<p><b>G</b> x12 +1(spare)</p> 	<p><b>H</b> x6 Ø6x12mm +1(spare)</p> 	<p><b>I</b> x1</p> 	<p><b>J</b> x4</p> 	<p><b>K</b> x20 Ø4x14mm +2(spare)</p> 	<p><b>L</b> x6</p> 
<p><b>M</b> x4</p> 	<p><b>N</b> x6</p> 	<p><b>O</b> x2 O-1 O-2</p> 	<p><b>P</b> x12 +2(spare)</p> 	<p><b>Q</b> x12</p> 	<p><b>R</b> x6</p> 
<p><b>S</b> x1</p> 	<p><b>T</b> x6 Ø6x14mm +1(spare)</p> 				

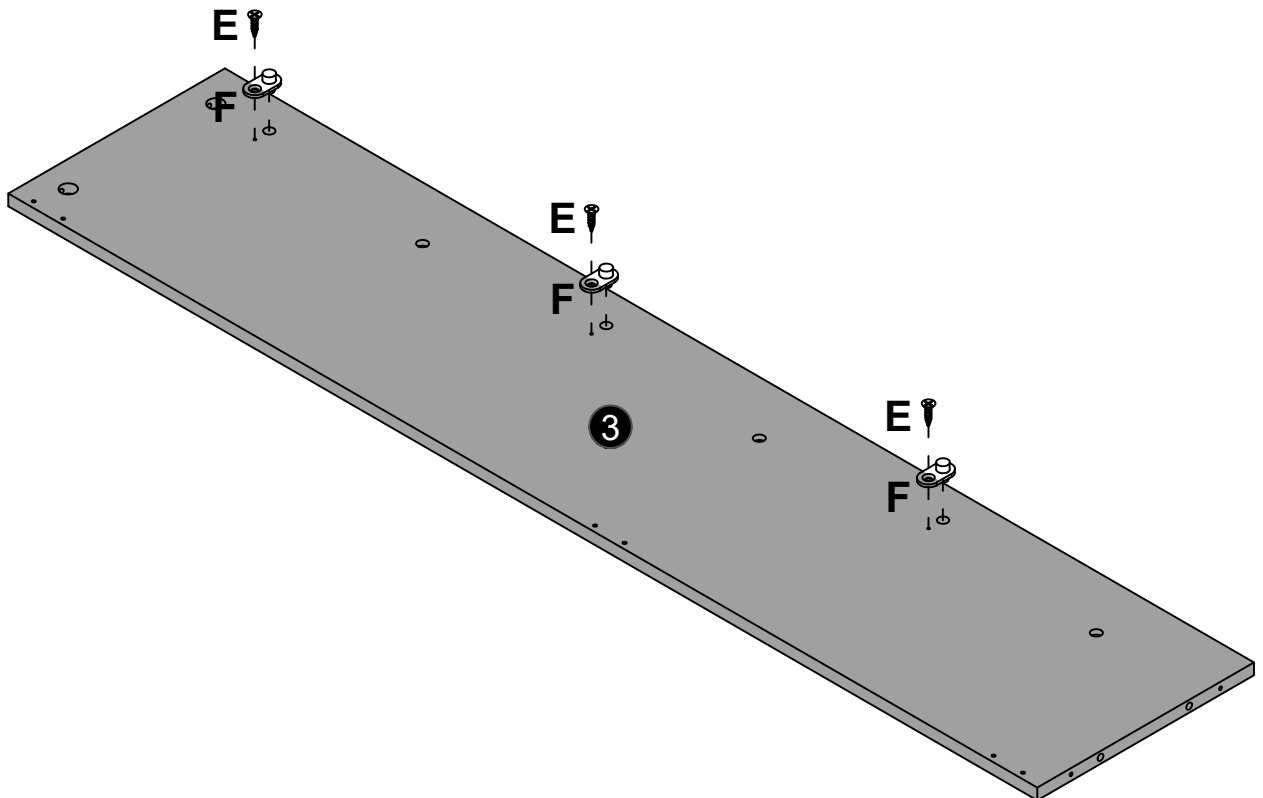
E x3

F x3



E x3

F x3

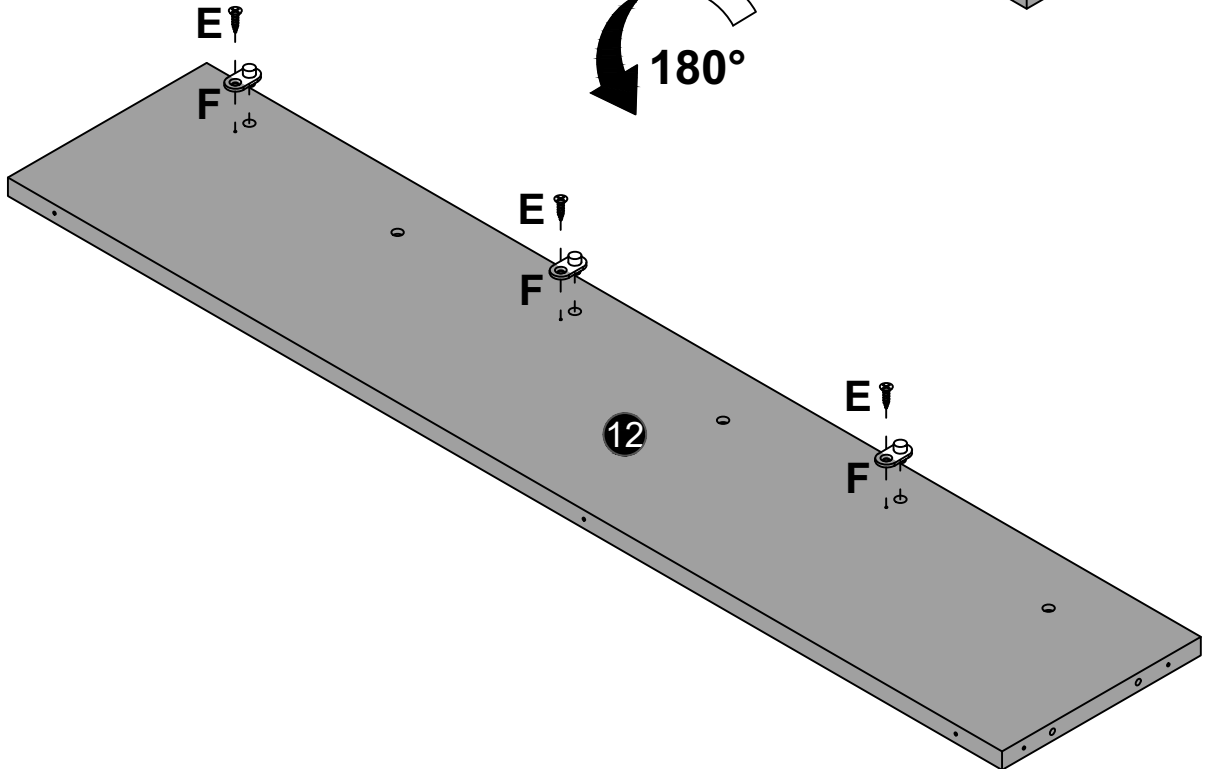
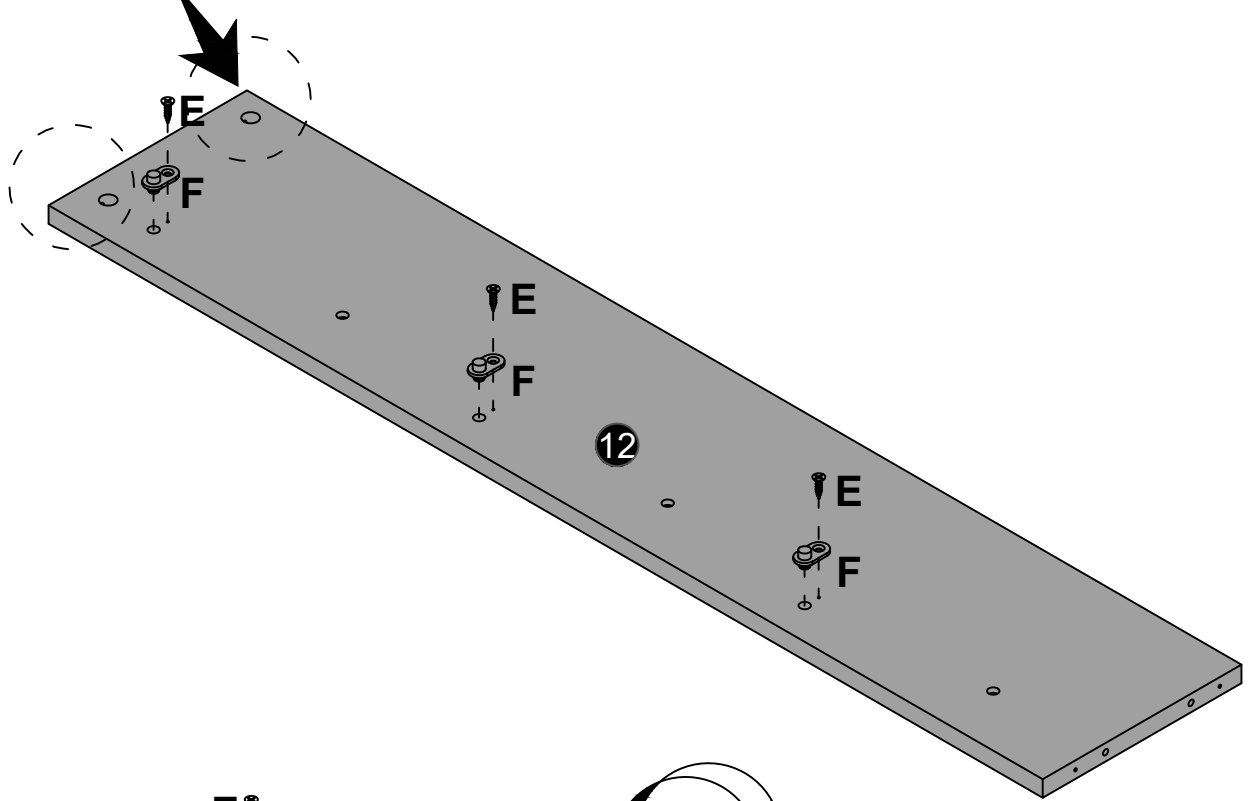


E x6

F x6

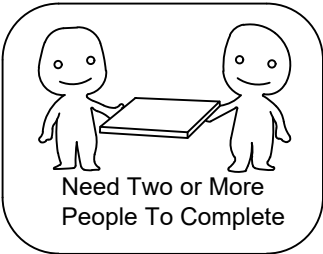
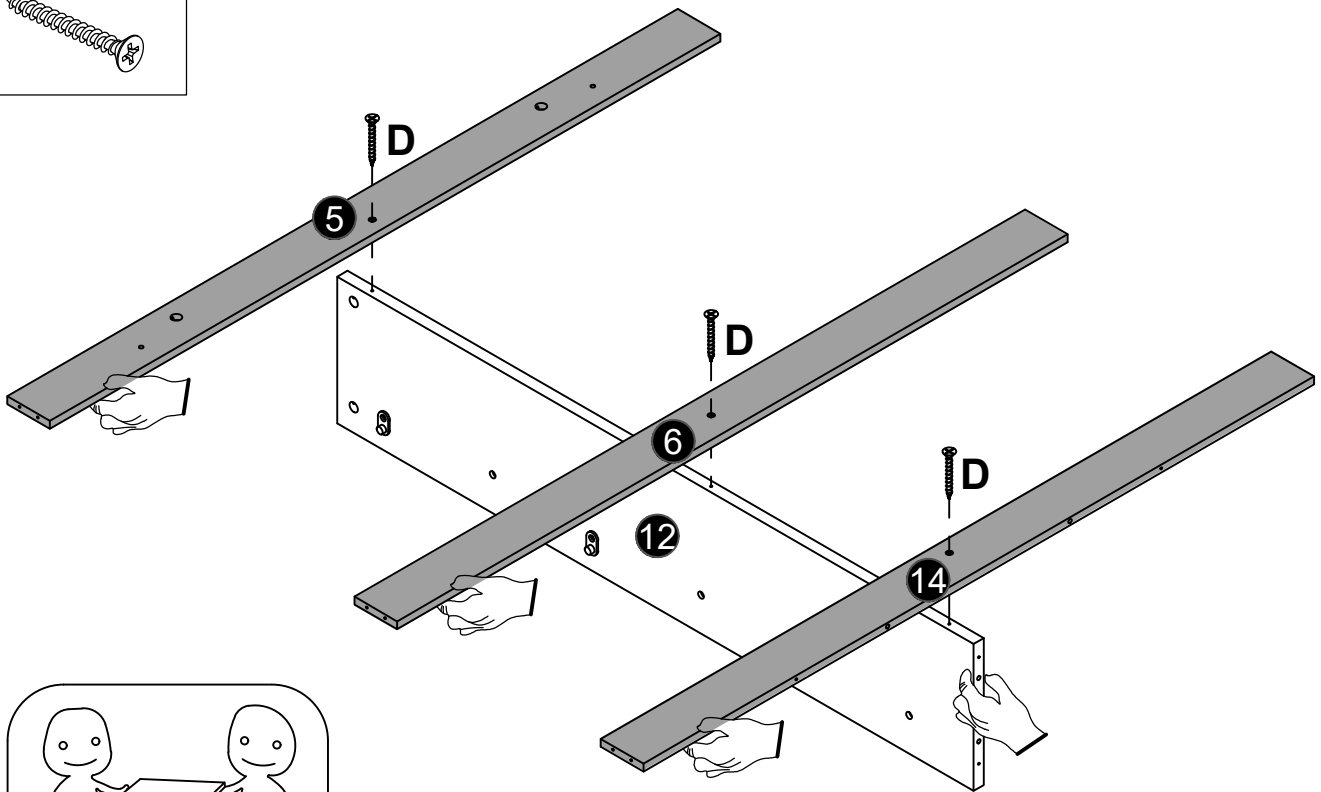
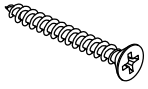


Notice



D x3

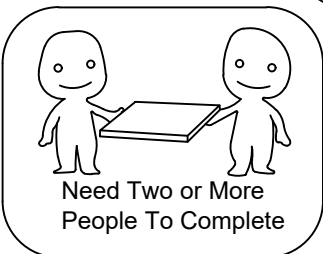
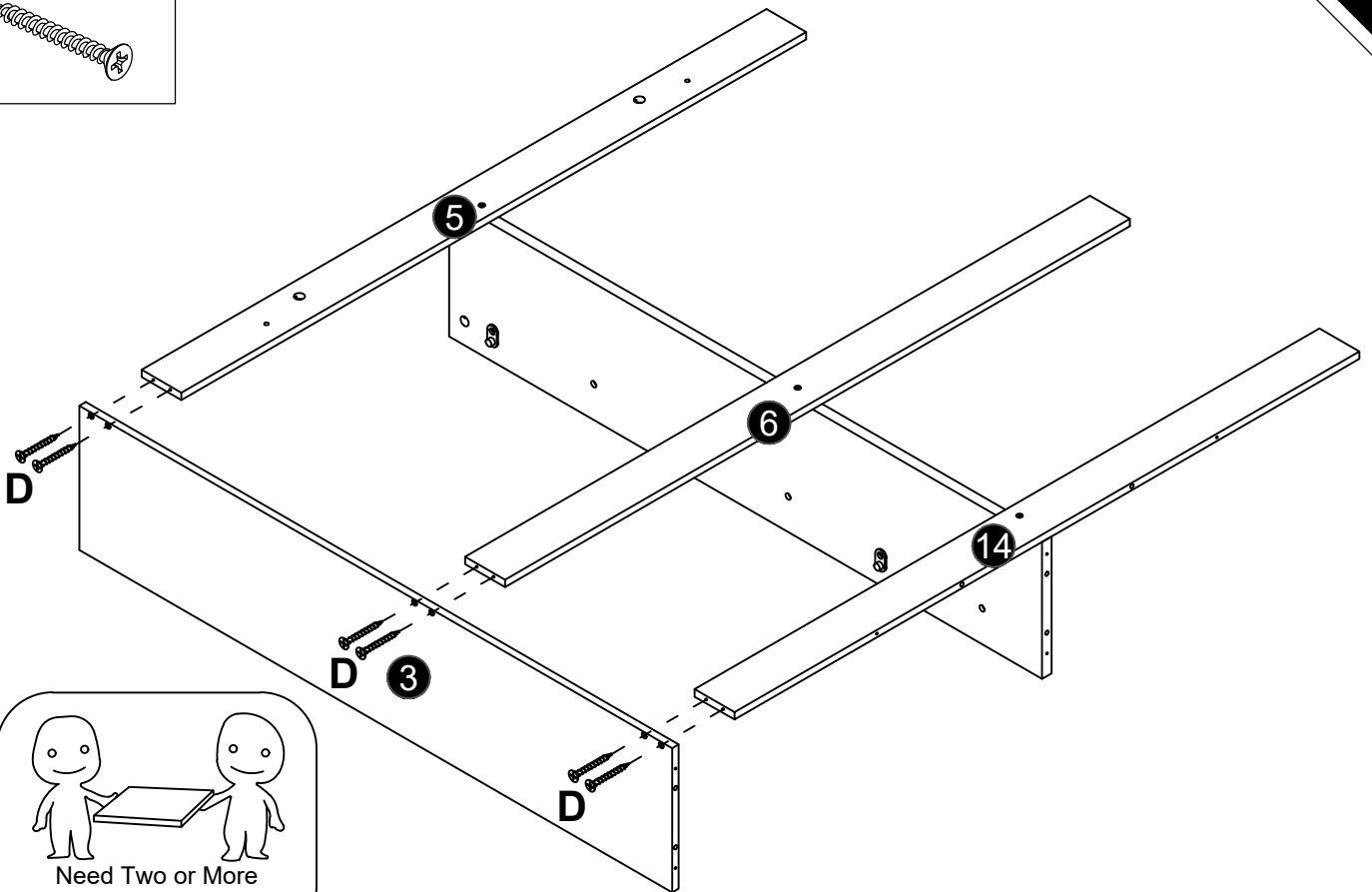
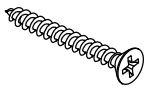
04



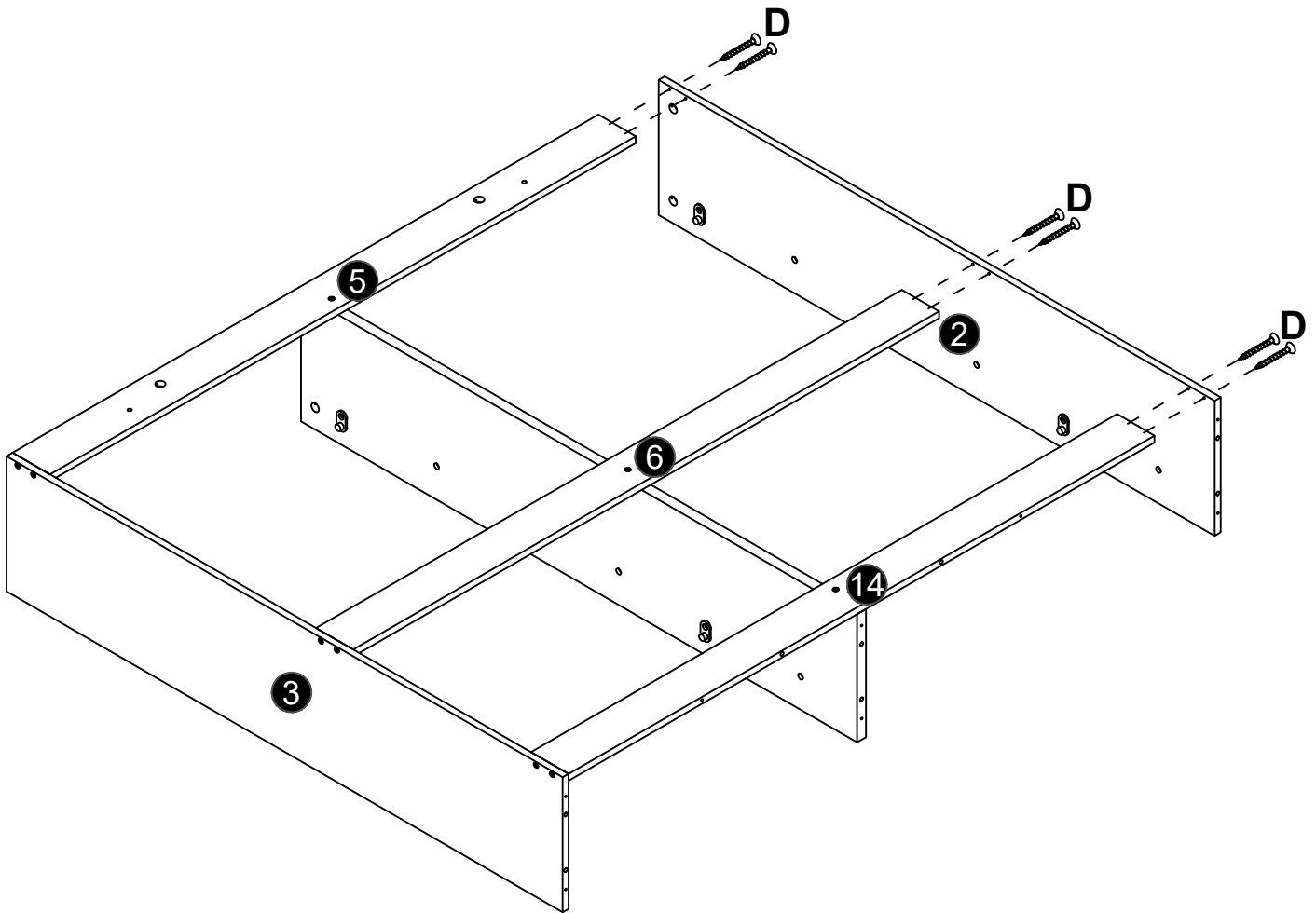
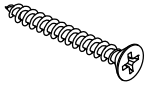
Need Two or More  
People To Complete

D x6

05

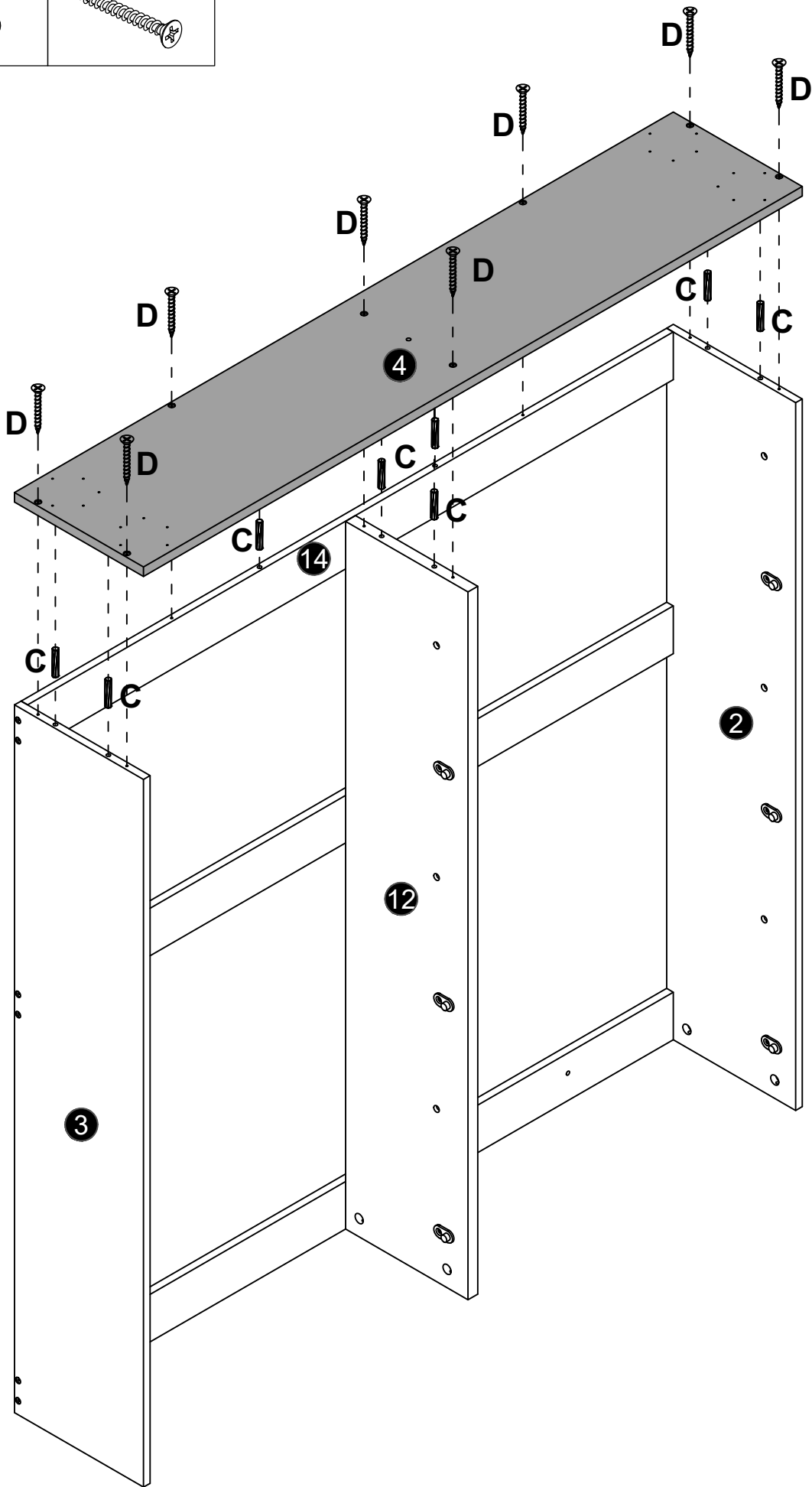
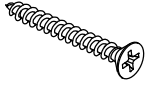
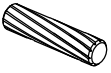


Need Two or More  
People To Complete



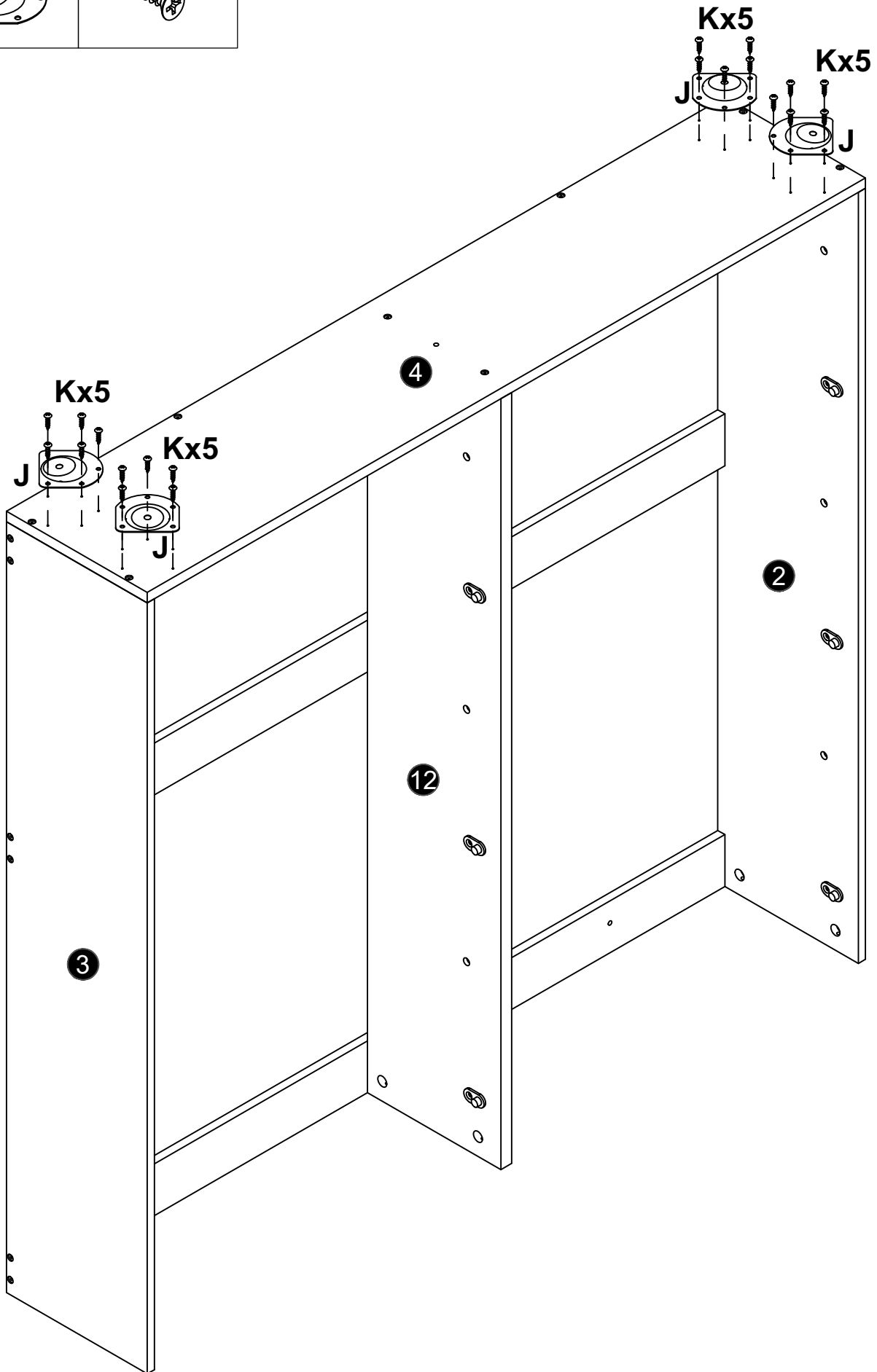
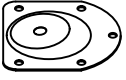
C x8

D x8



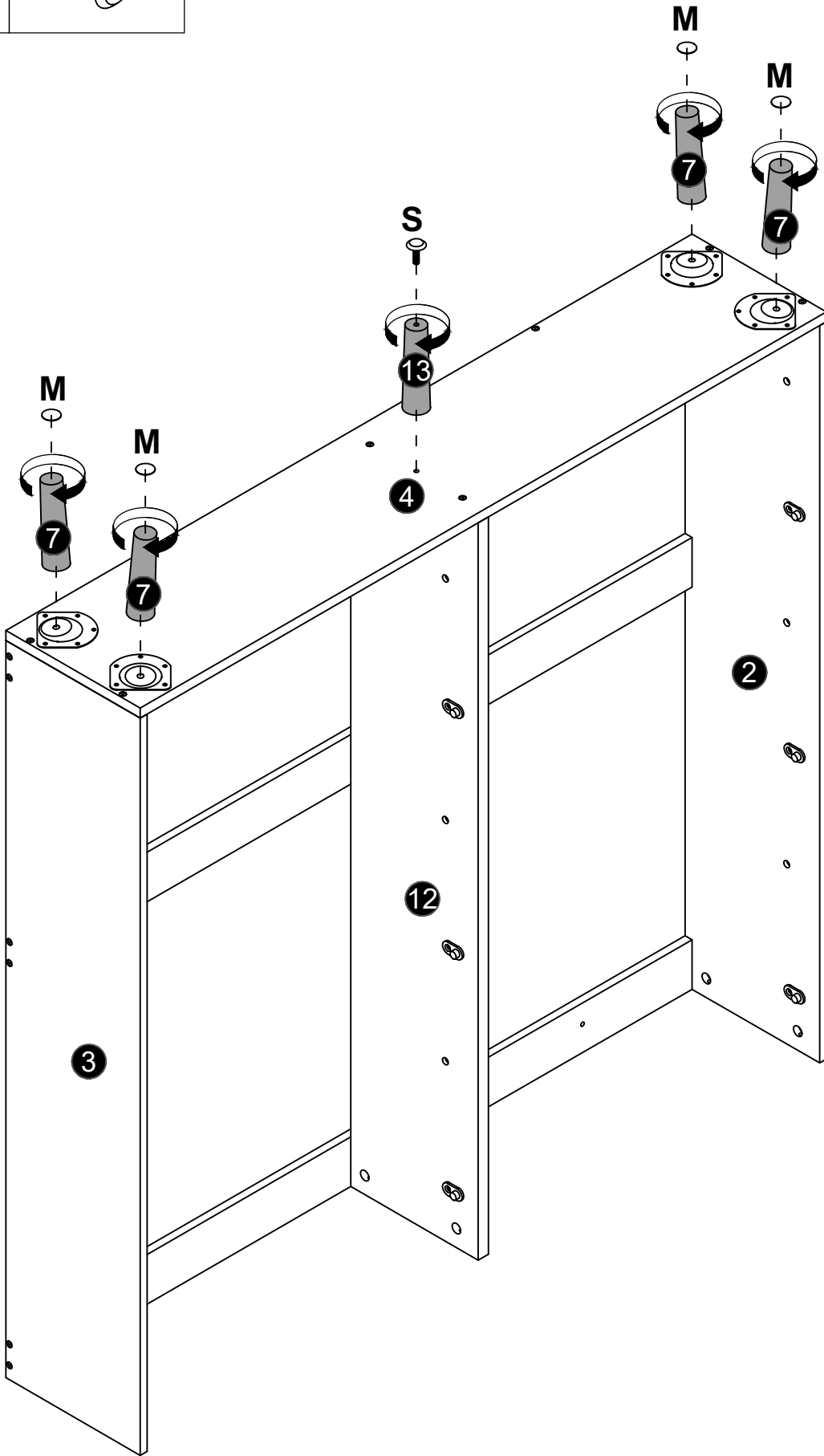
J x4

K x20

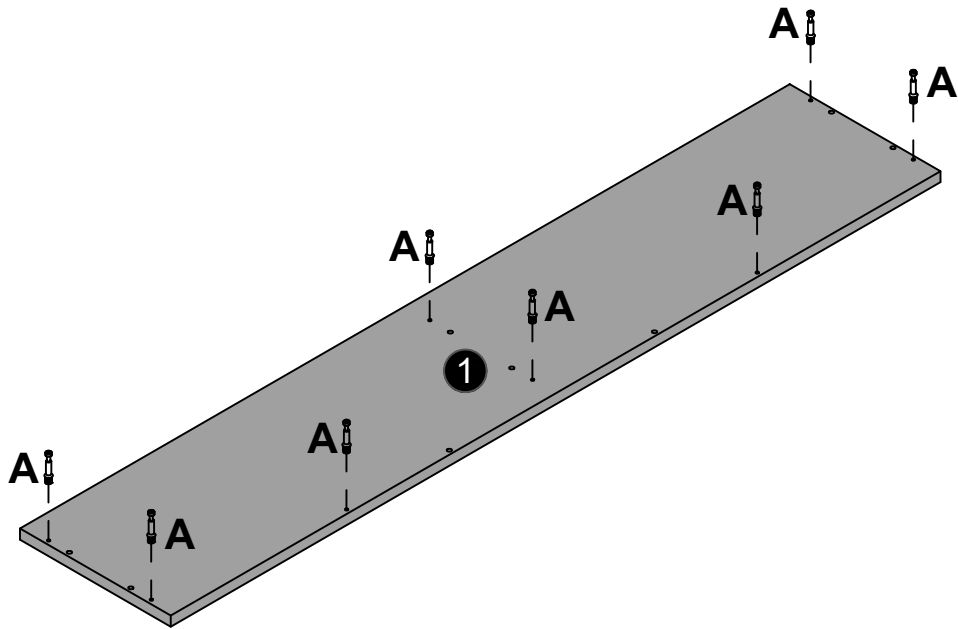
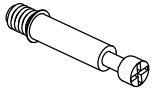


M x4

S x1



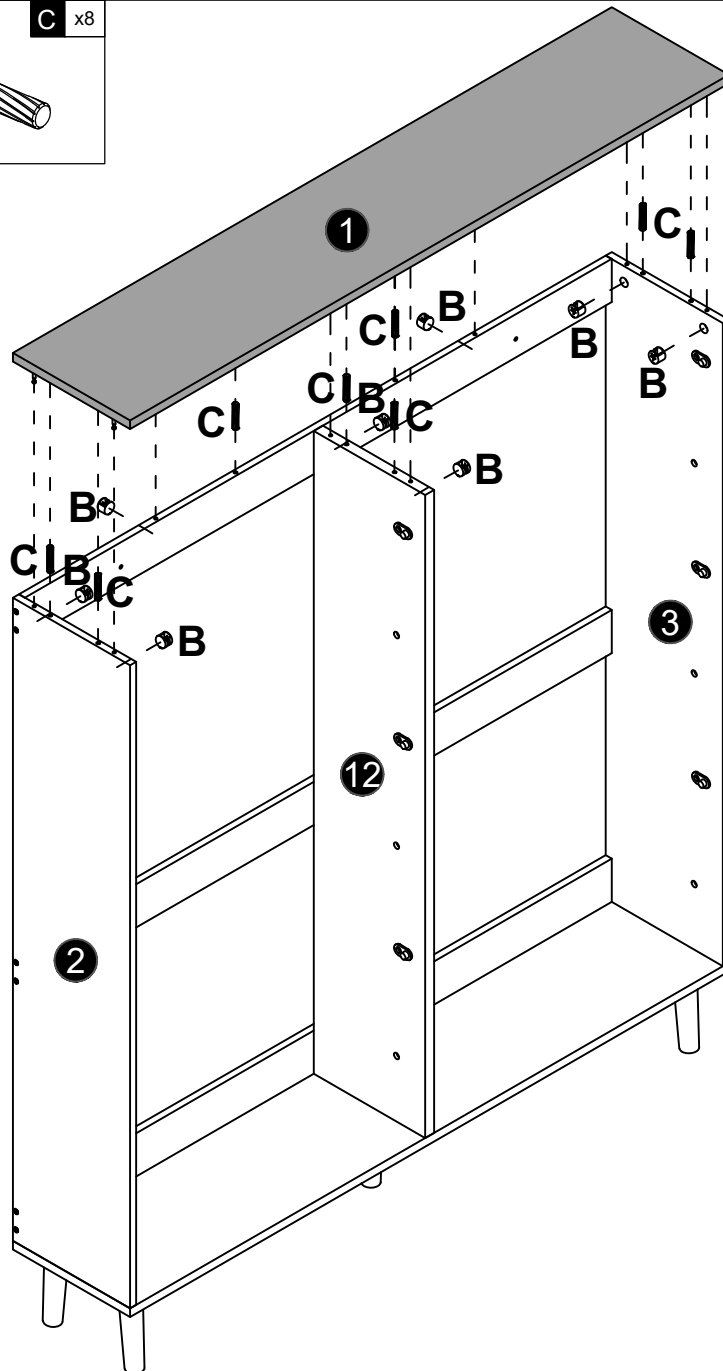
A x8



B x8



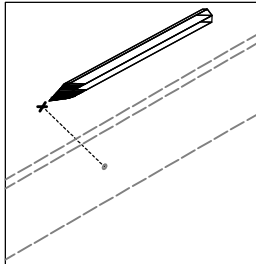
C x8



○ x2

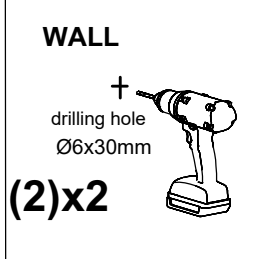


O-1 O-2



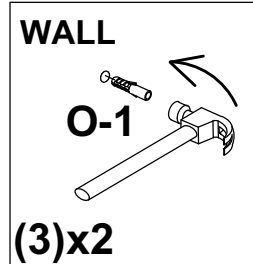
First fix the anti-rewind screw in the reserved hole of the product.

(1)x2



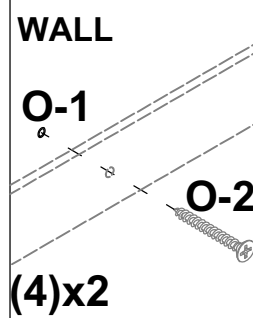
Then use a tape drill to make holes in the wall that are suitable for the product screws.

(2)x2



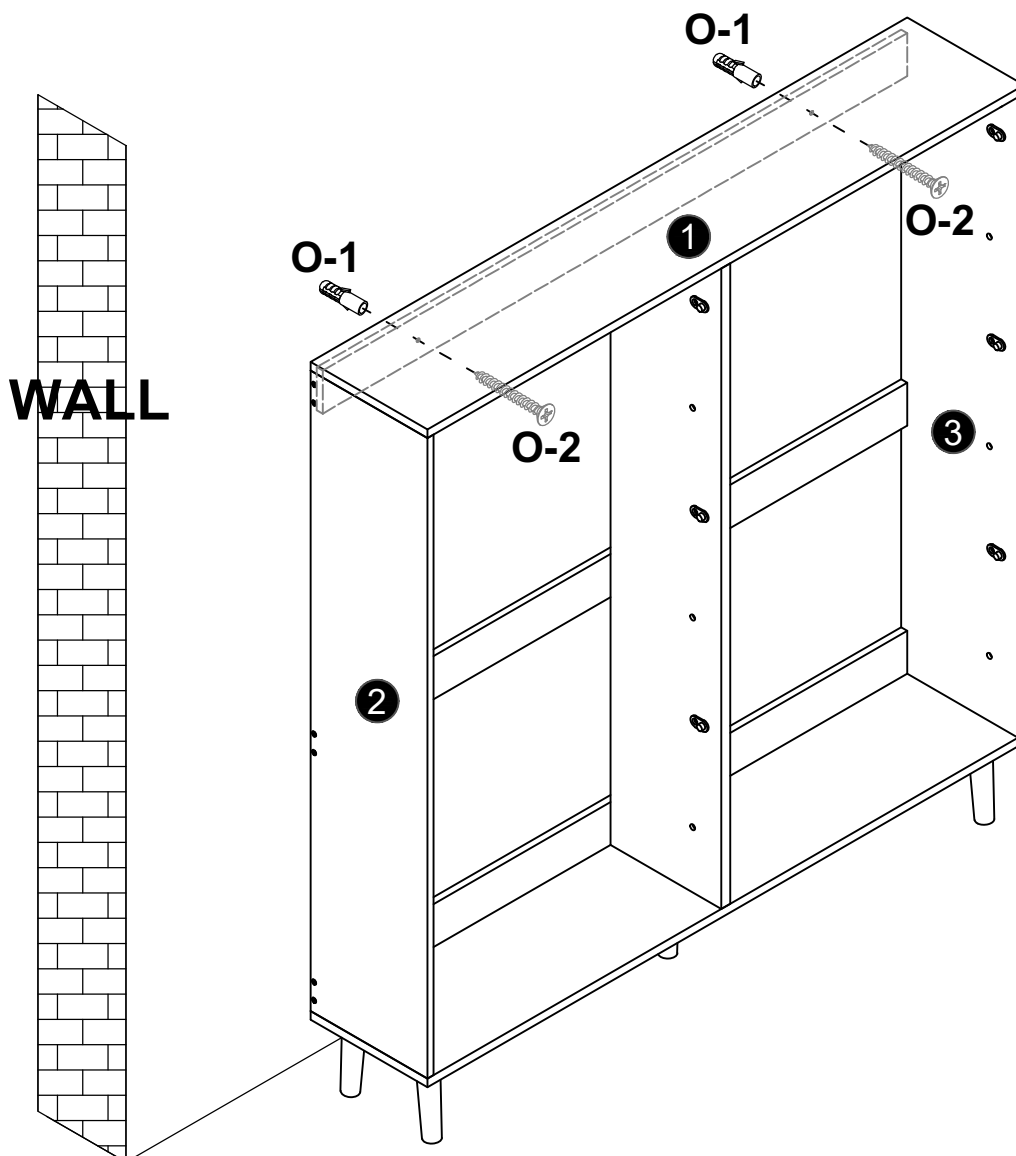
Then, put the expansion bolt into the hole

(3)x2



Finally, pass the matching screws through the "anti-rewind" and tighten them to fix them on the wall.

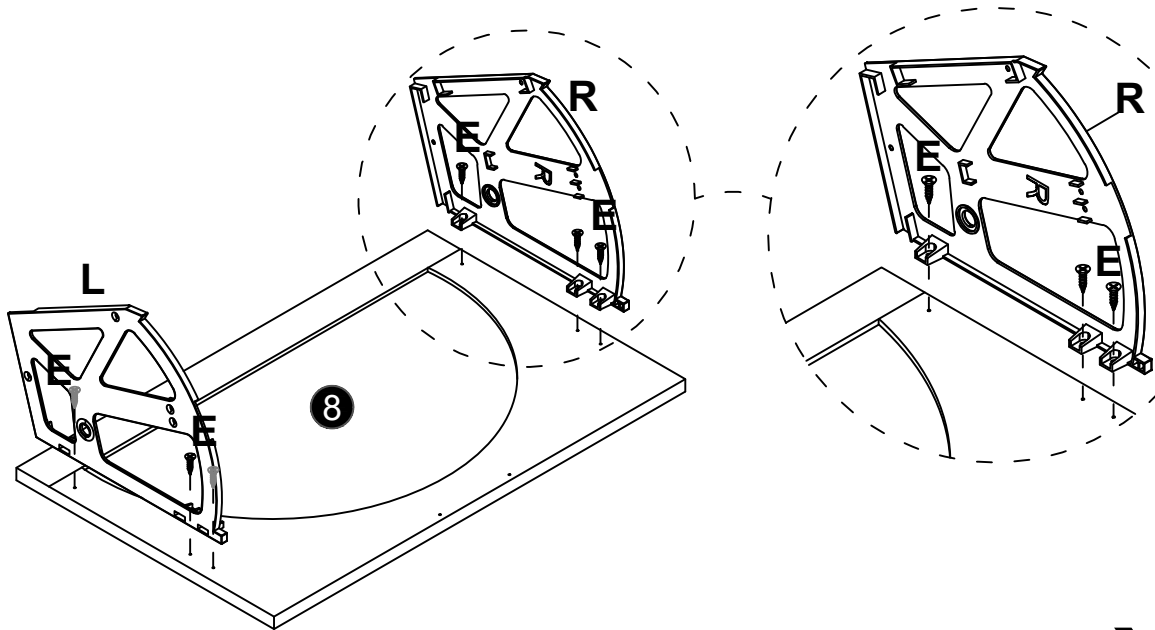
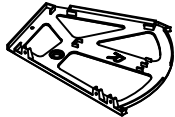
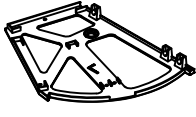
(4)x2



E x12

L x2

R x2

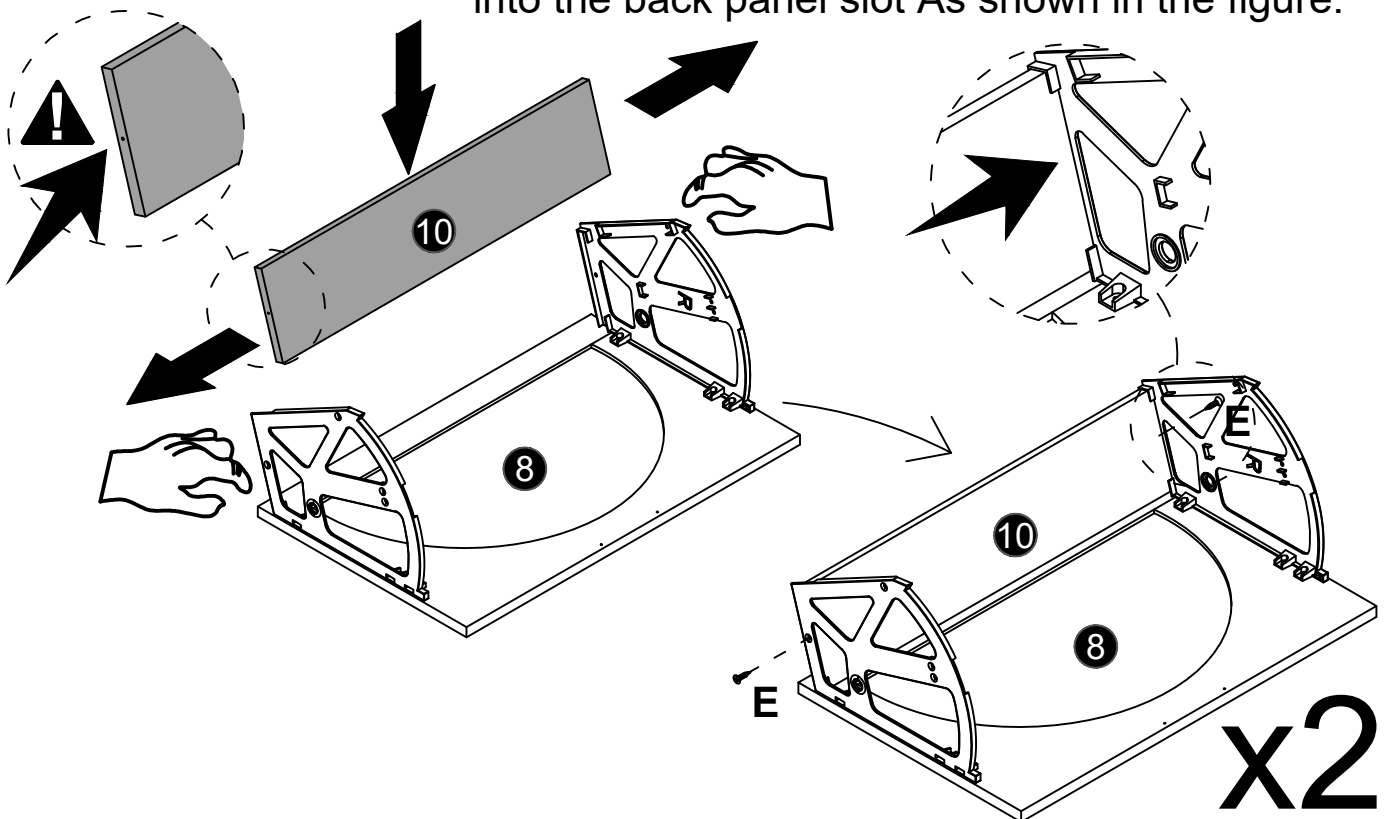


x2

E x4



Please push the shoe racks L and R slightly with your hands .As shown in the figure, facing towards both sides,Place the 10th back panel into the back panel slot As shown in the figure.

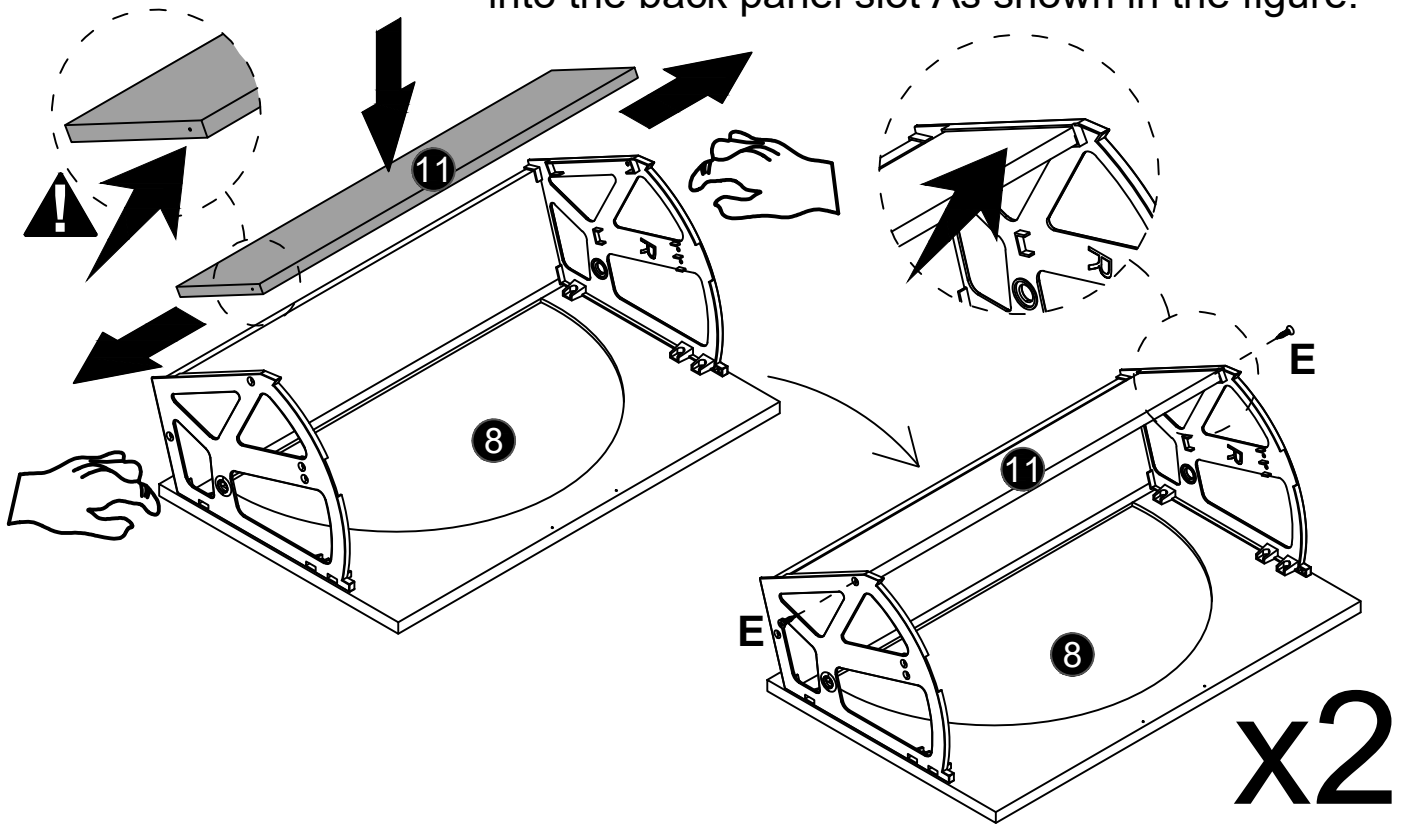


x2

E x4

15

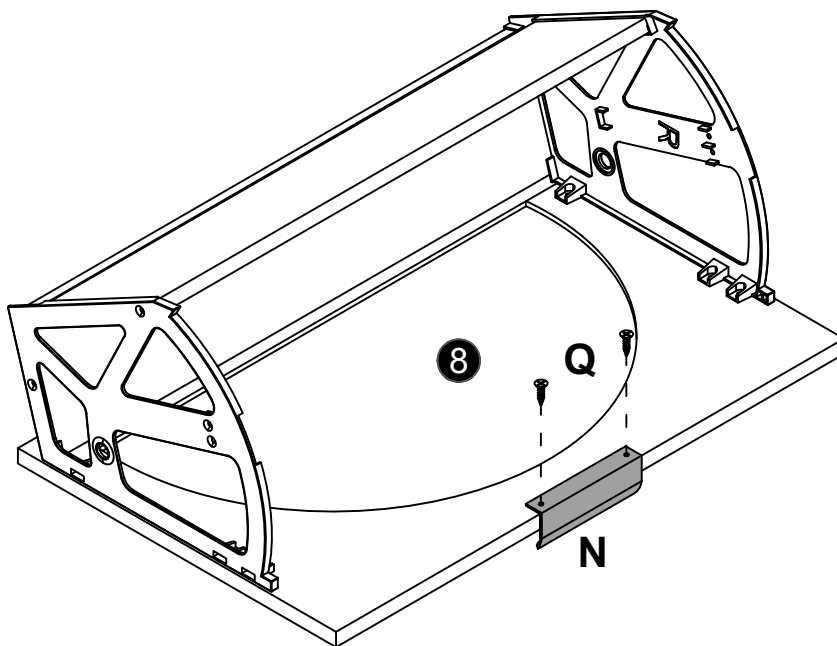
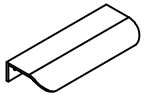
Please push the shoe racks L and R slightly with your hands .As shown in the figure, facing towards both sides,Place the 11th back panel into the back panel slot As shown in the figure.



N x2

Q x4

16

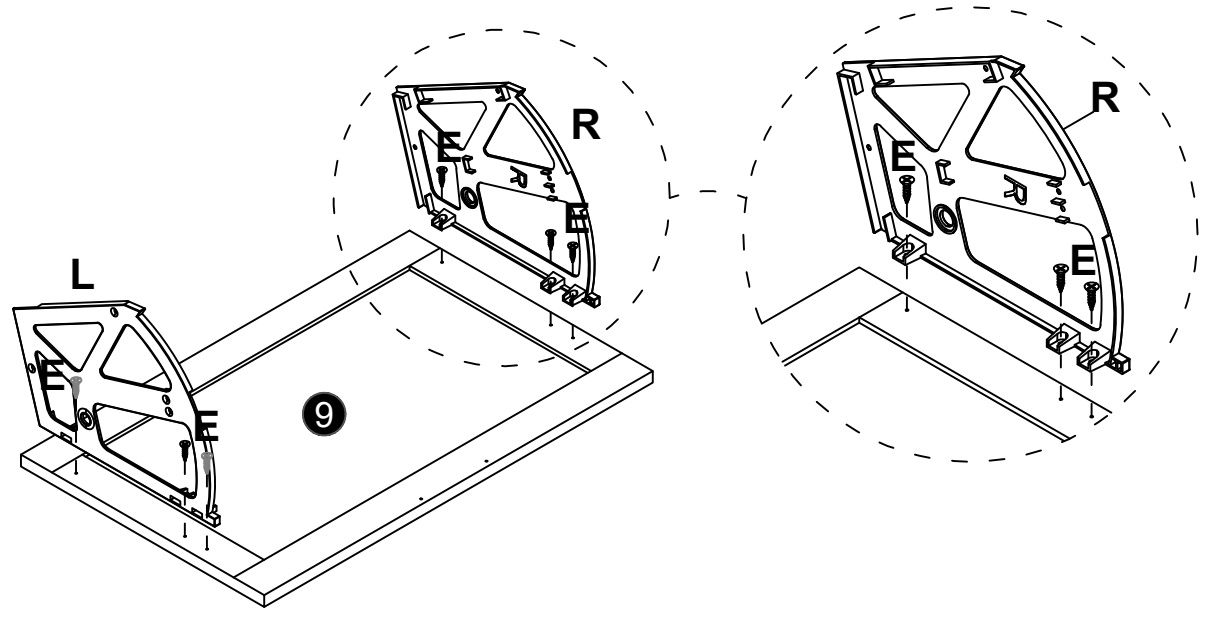
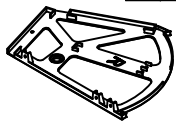
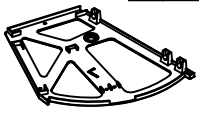


x2

E x24

L x4

R x4

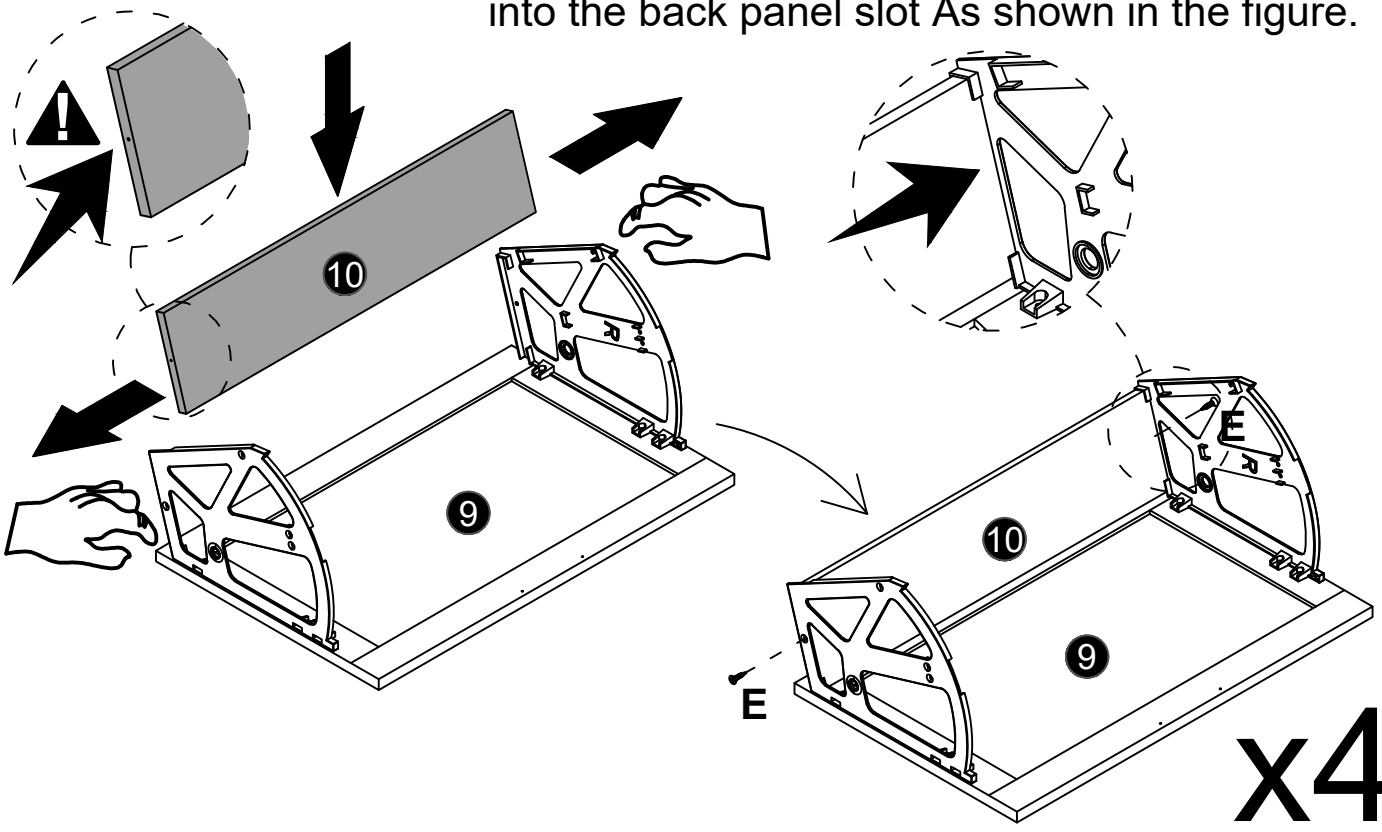


x4

E x8



Please push the shoe racks L and R slightly with your hands .As shown in the figure, facing towards both sides,Place the 10th back panel into the back panel slot As shown in the figure.

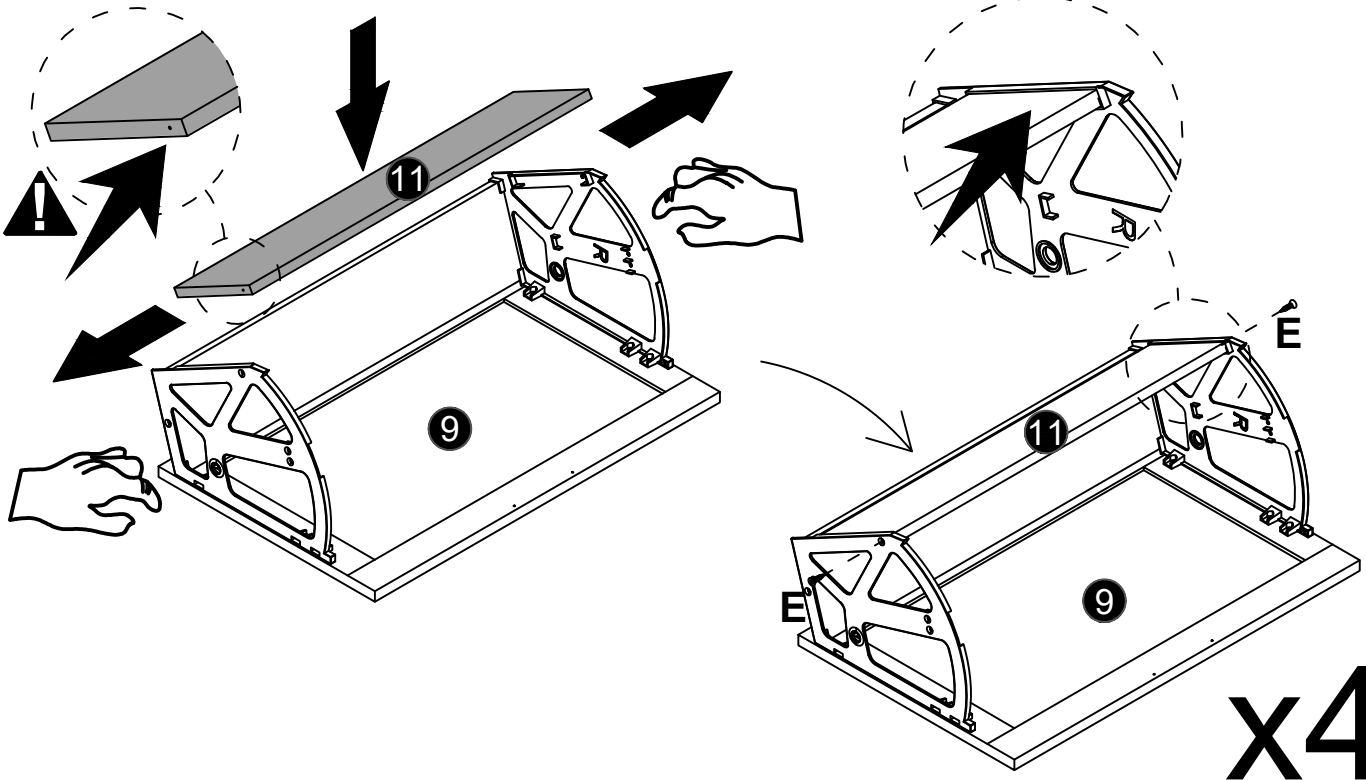


x4

E x8

19

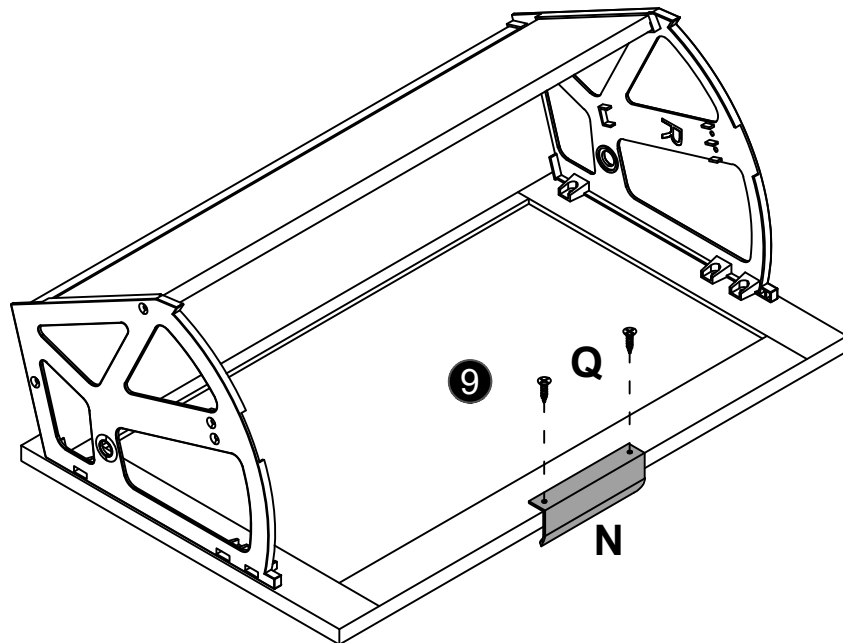
Please push the shoe racks L and R slightly with your hands .As shown in the figure, facing towards both sides,Place the 11th back panel into the back panel slot As shown in the figure.



N x4

Q x8

20

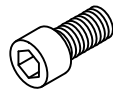
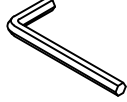
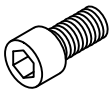


G x12

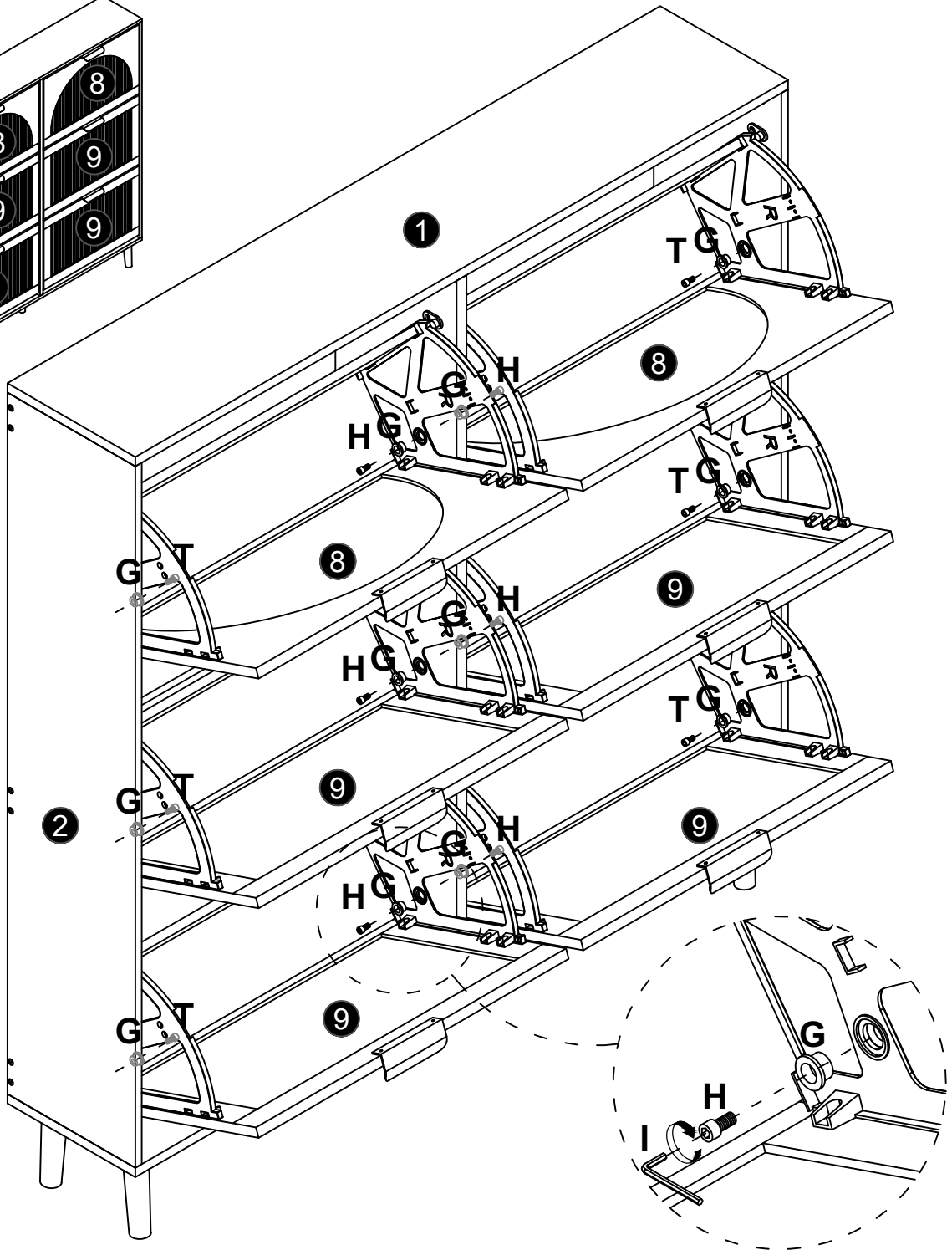
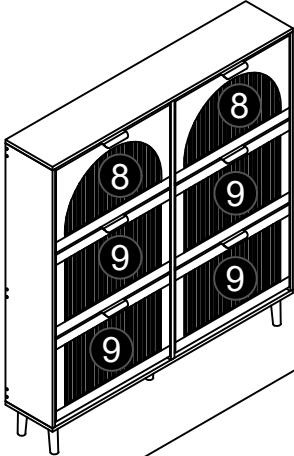
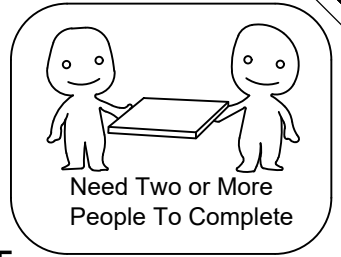
H x6

I x1

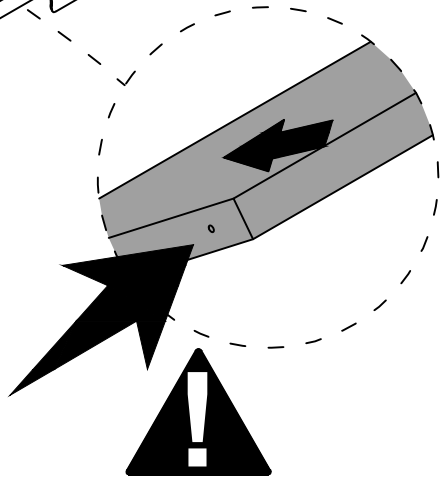
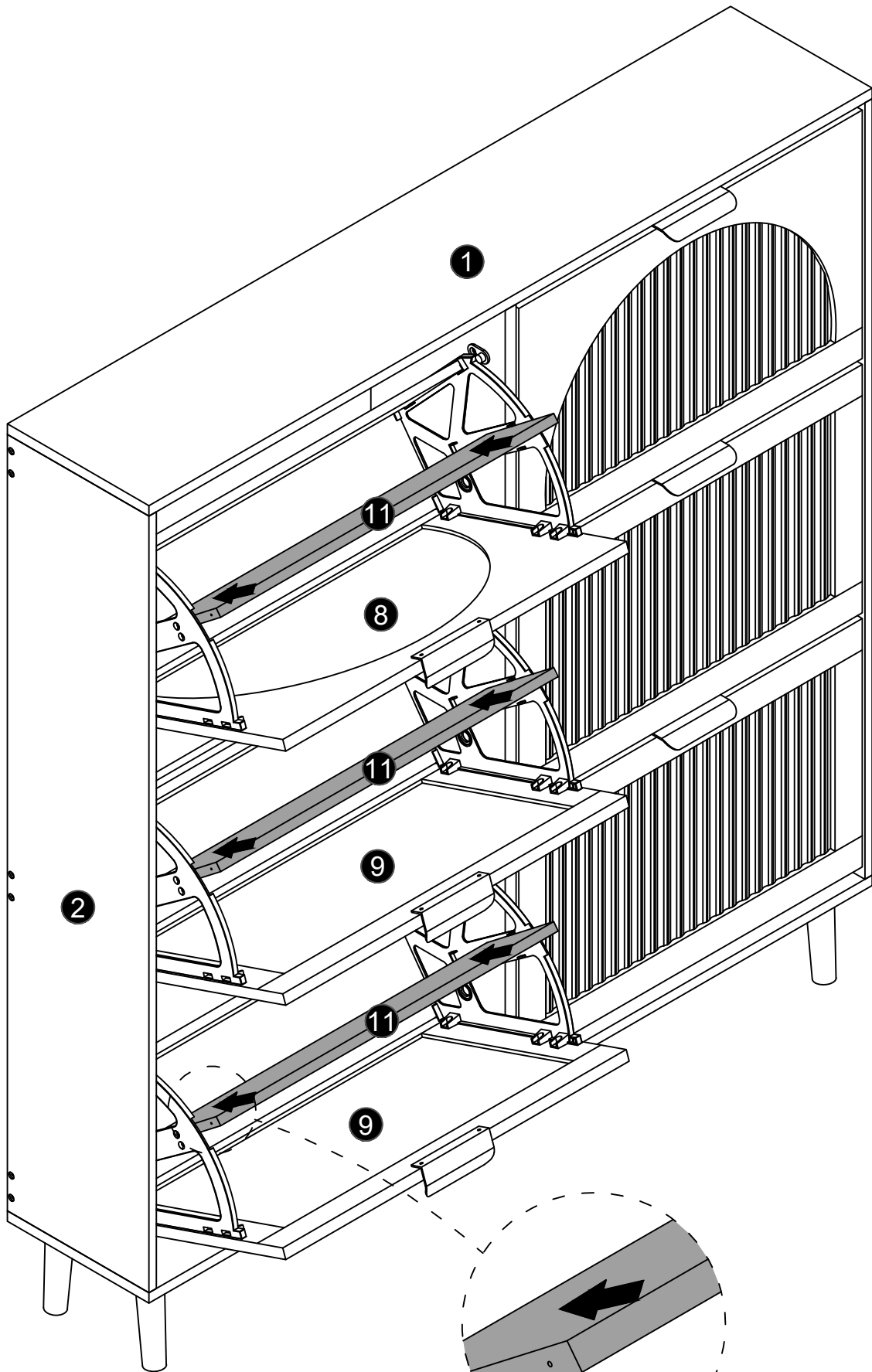
T x6

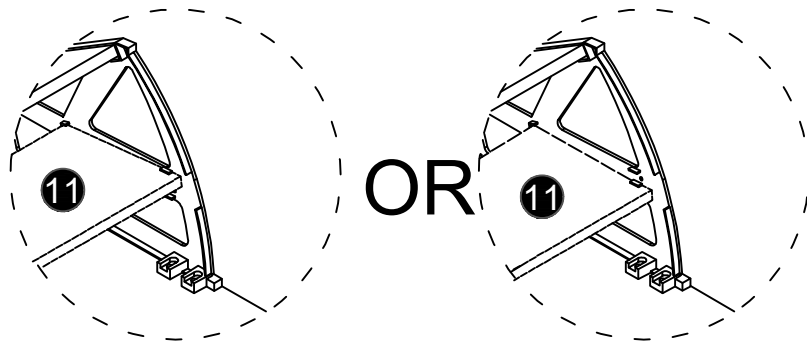


1. Before installation, please check if the position is correct to avoid installation errors.
2. Please pay attention to distinguishing the corresponding installation positions of H and T.



Note: When installing H or T, it is sufficient to reach 90% progress. Installing 100% may cause damage to G.

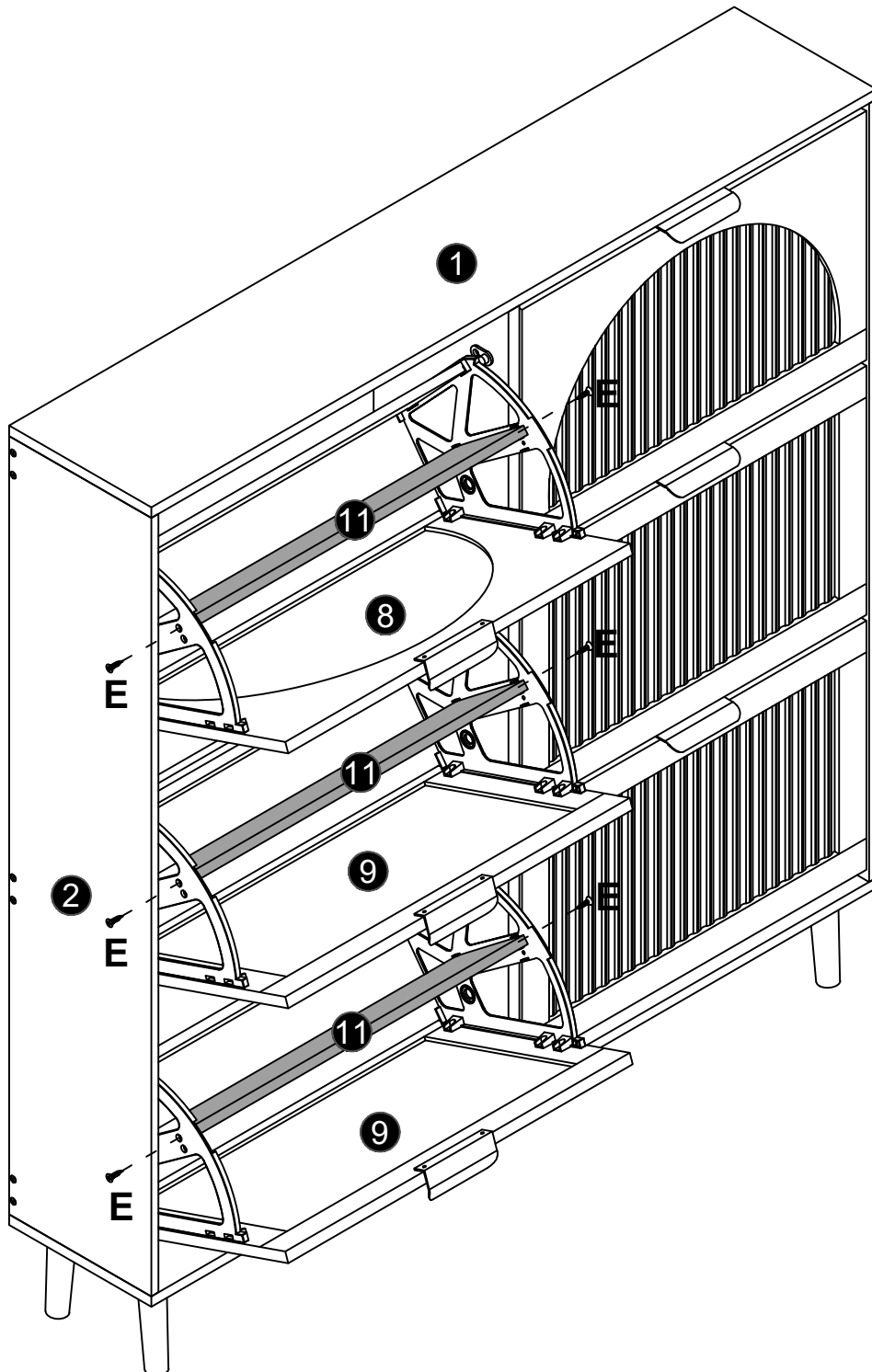


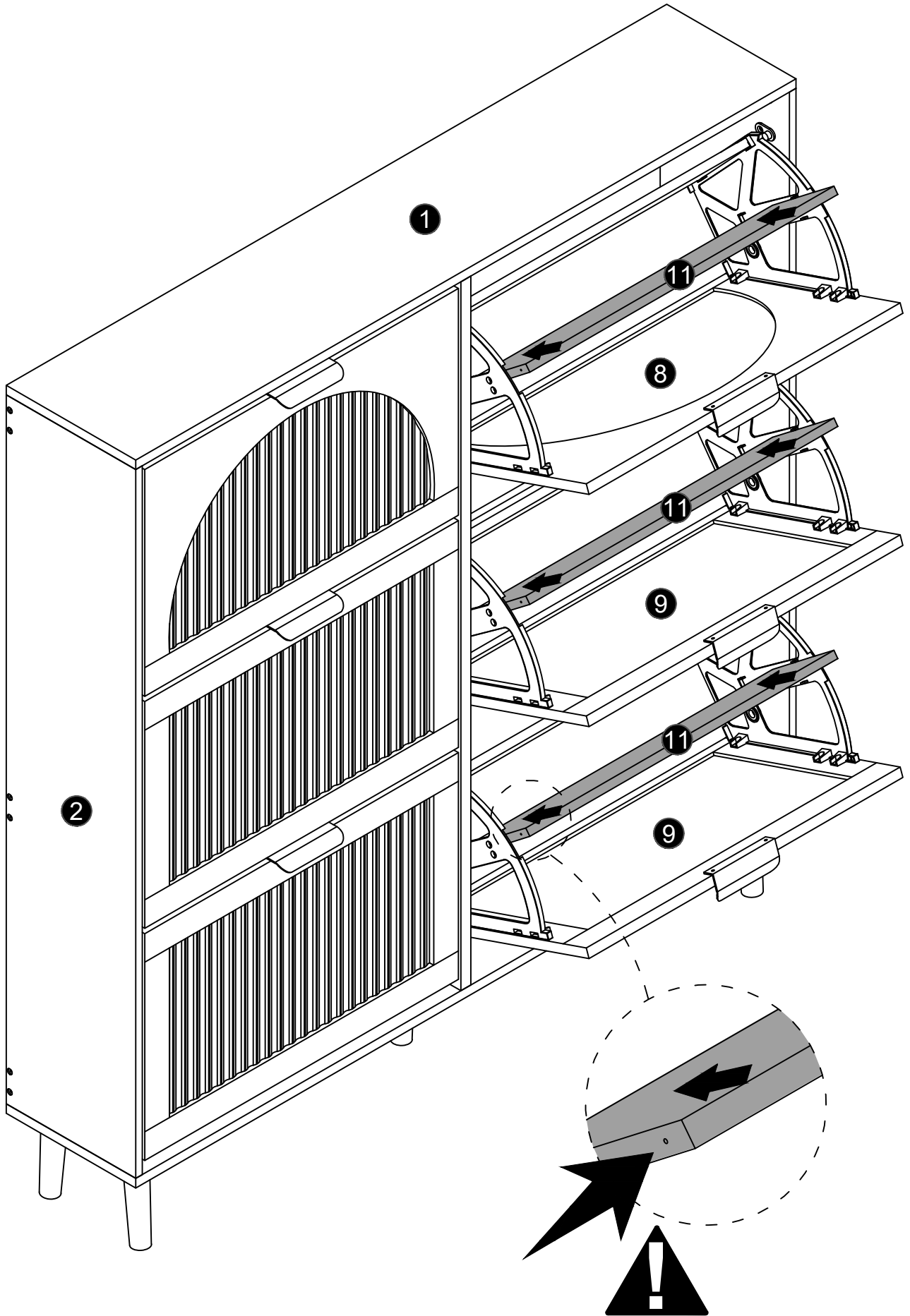


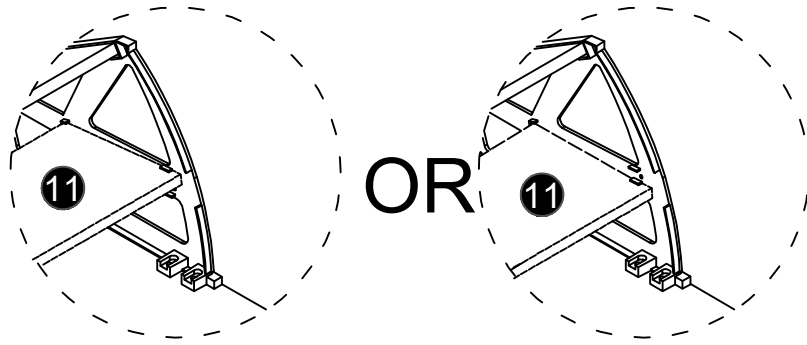
OR



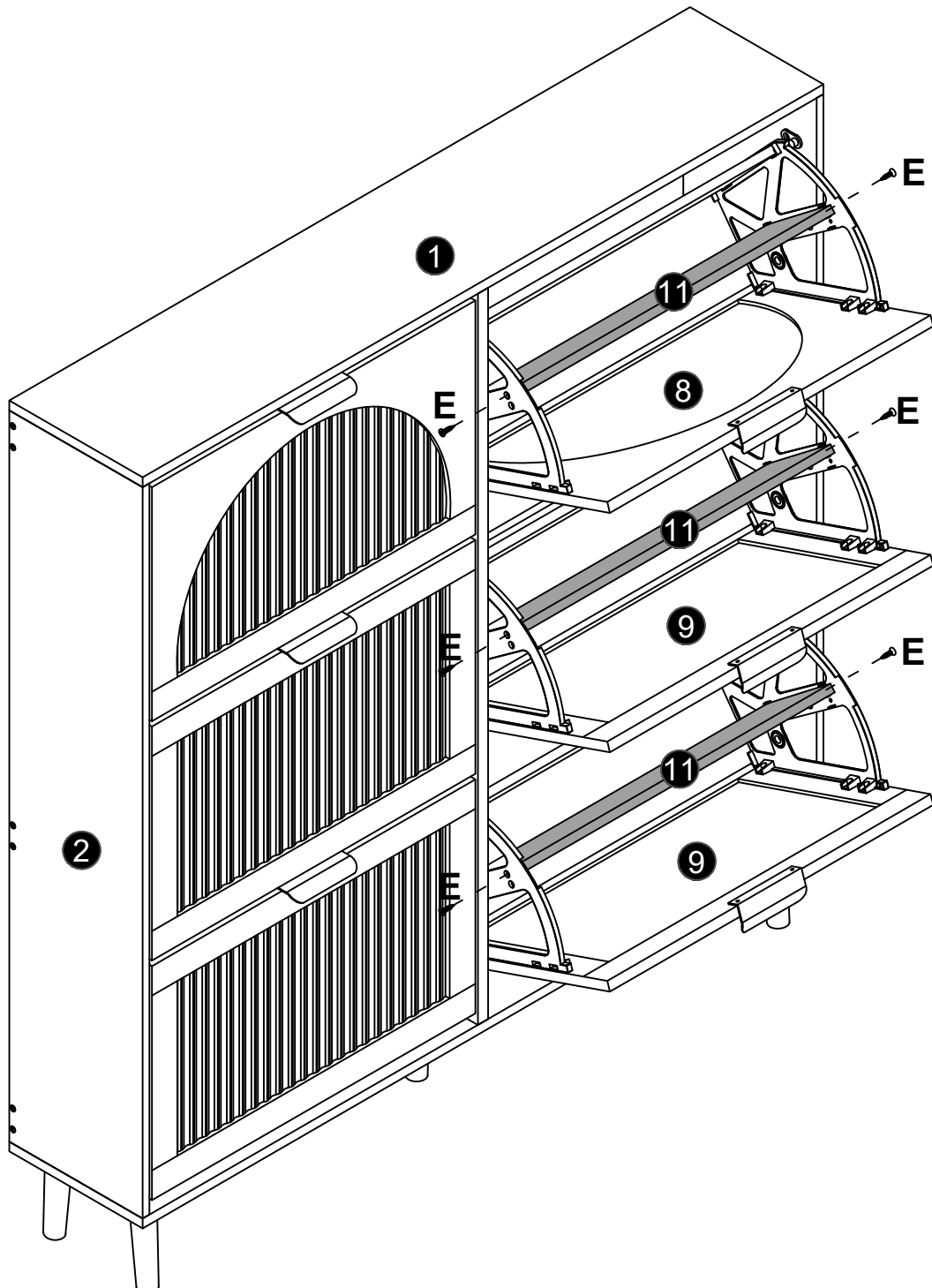
Adjustments can be made according to your own needs.

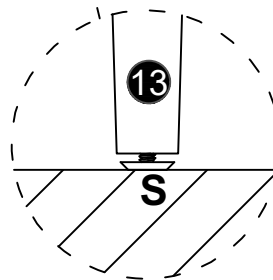
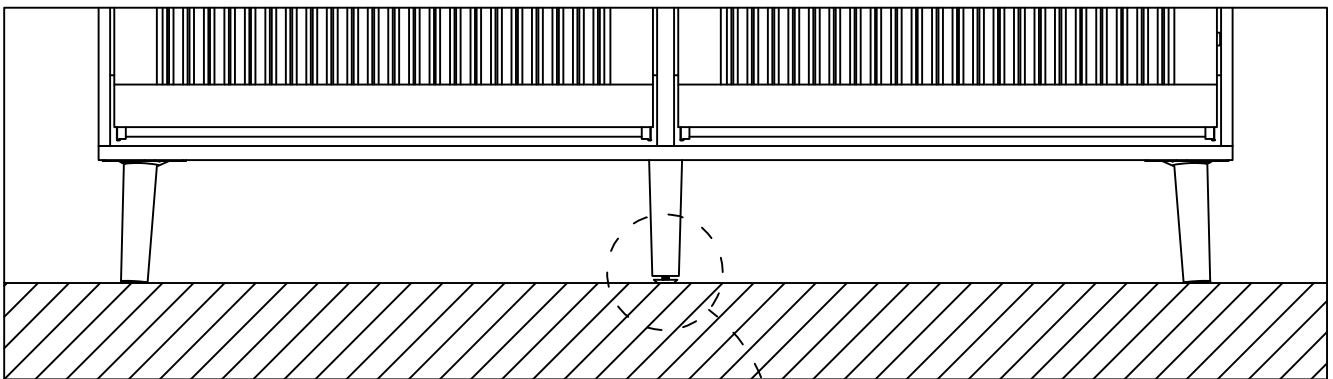
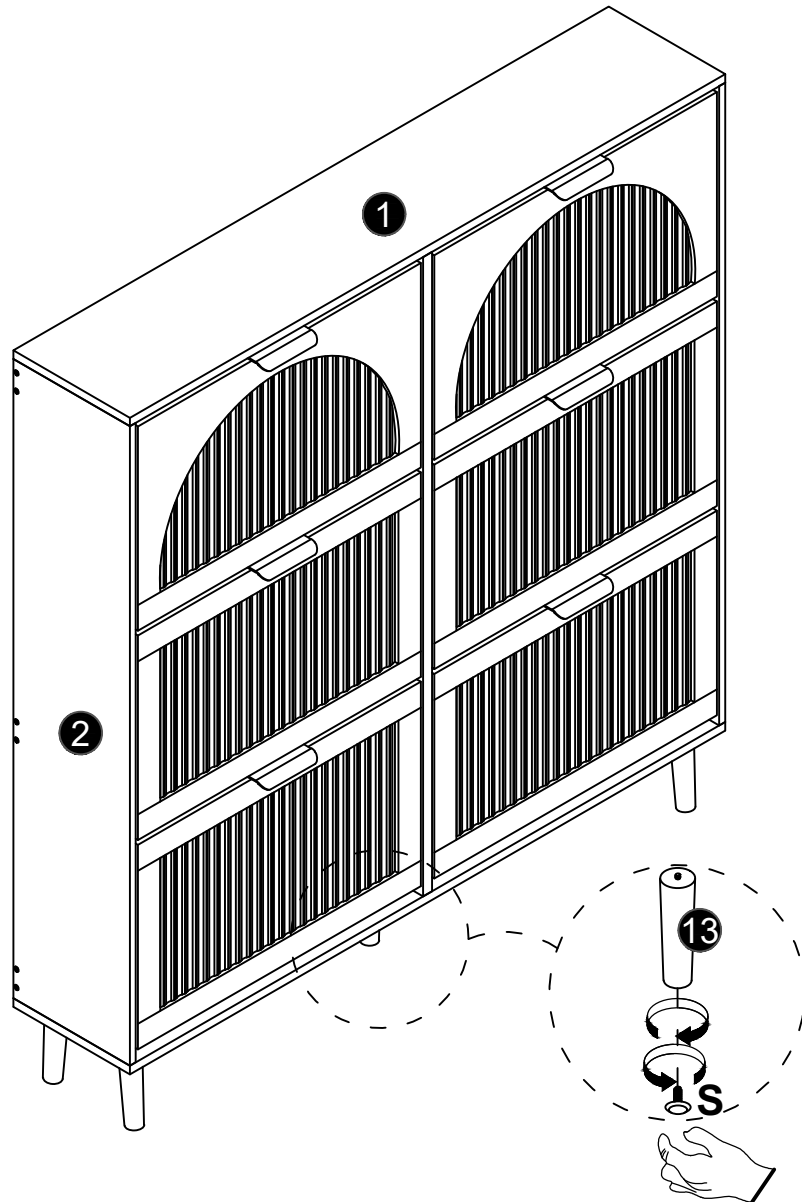






Adjustments can be made according to your own needs.





**If the cabinet is unstable on the ground, please rotate the No. S adjustment foot pad on the No. 13 support leg.**

P x12

Done

