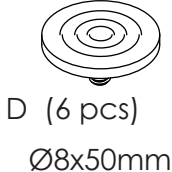
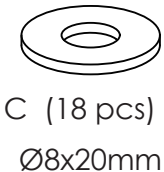
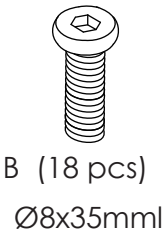
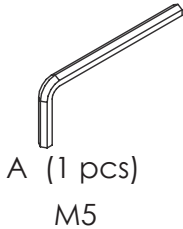
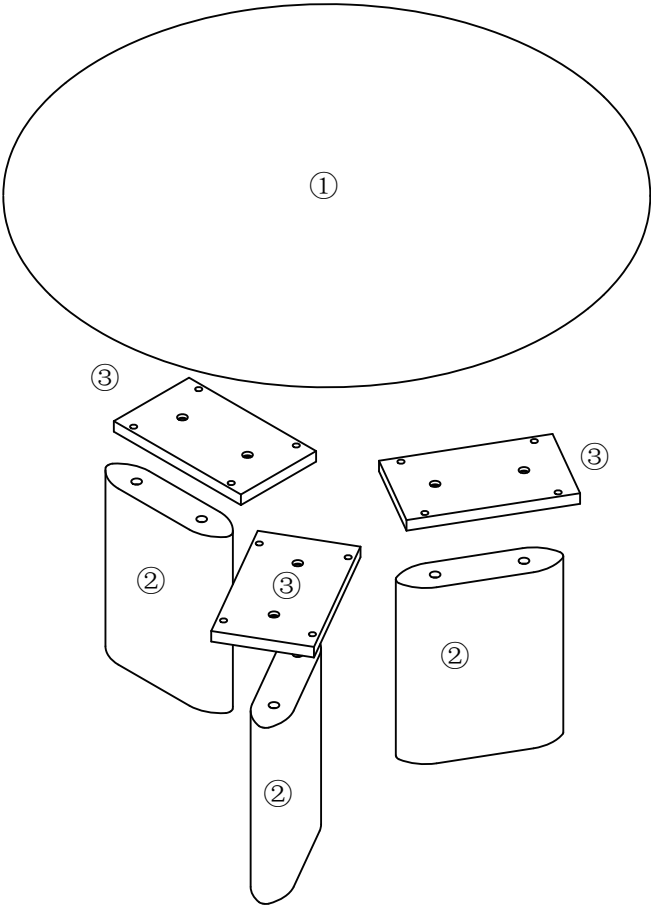
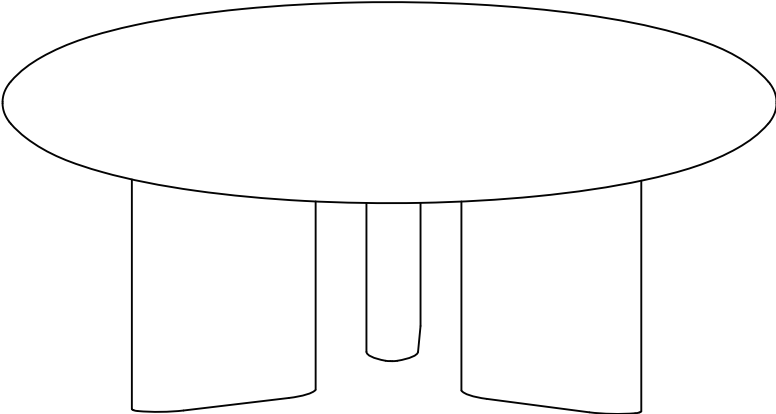


Assembly Instructions

ALBERT-35 ROUND COFFEE TABLE

PLEASE NOTE: Check that you have received all components and hardware before assembling. If you are missing any parts, contact your retailer.

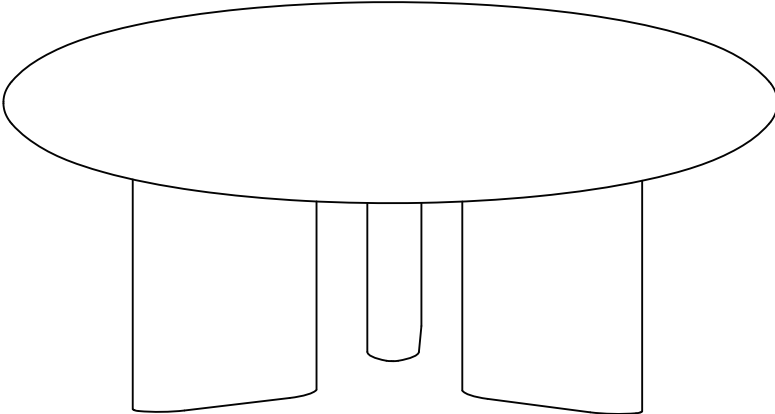


During assembly, hand tighten screws only. When the screws are in place, tighten completely.

Assembly Instructions

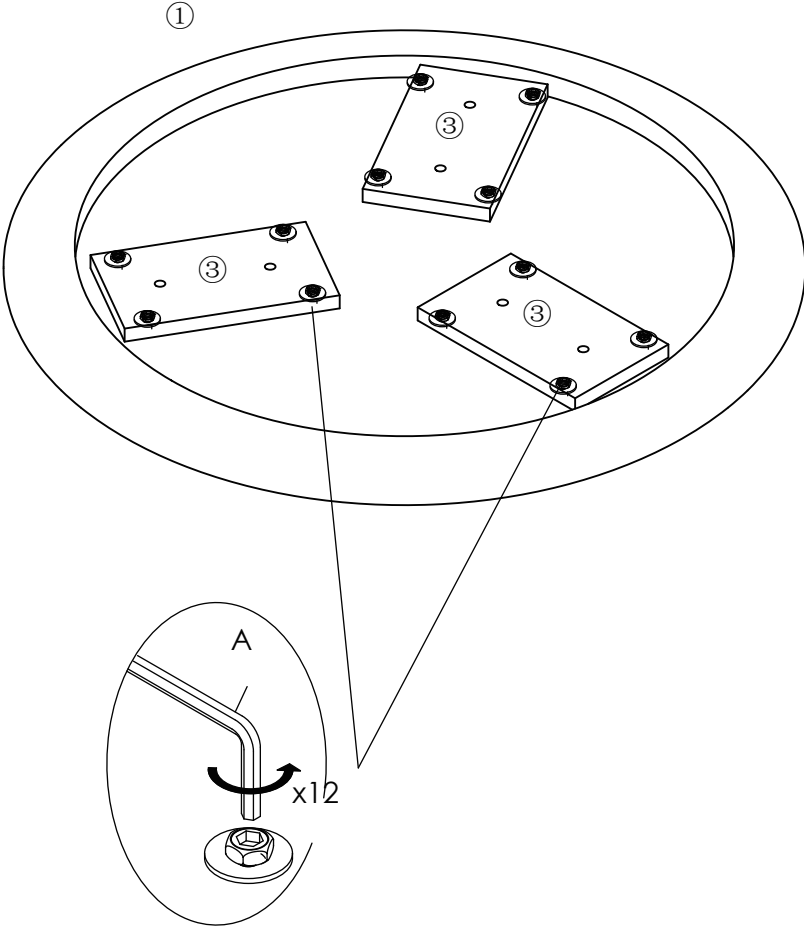
ALBERT-35 ROUND COFFEE TABLE

PLEASE NOTE: Check that you have received all components and hardware before assembling. If you are missing any parts, contact your retailer.



- A (1 pcs)
M5
- B (18 pcs)
Ø8x35mm
- C (18 pcs)
Ø8x20mm
- D (6 pcs)
Ø8x50mm

1.



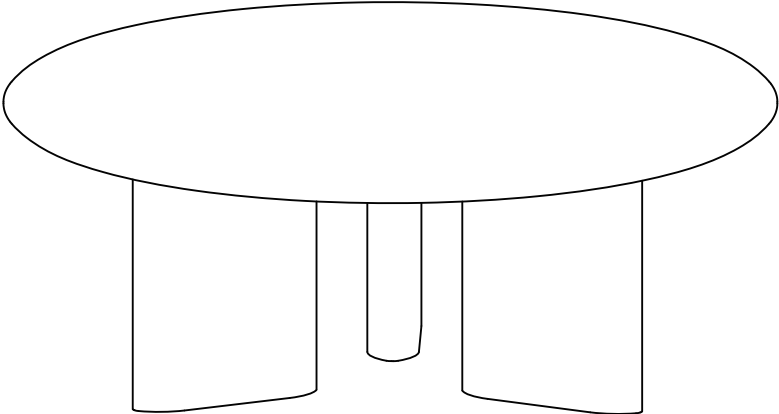
Remove the Connection plate before assembly.


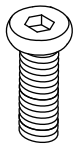
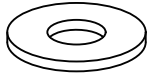

During assembly, hand tighten screws only. When the screws are in place, tighten completely.

Assembly Instructions

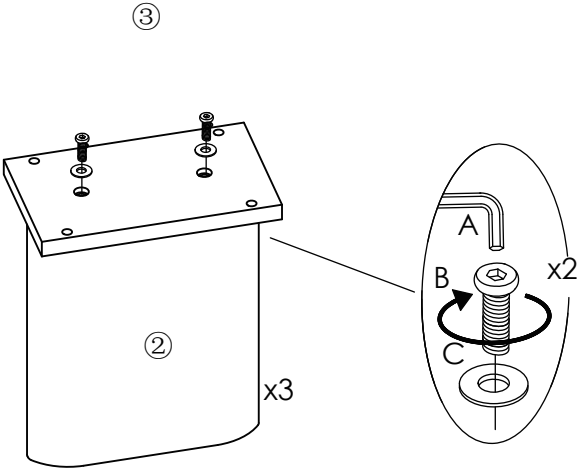
ALBERT-35 ROUND COFFEE TABLE

PLEASE NOTE: Check that you have received all components and hardware before assembling. If you are missing any parts, contact your retailer.

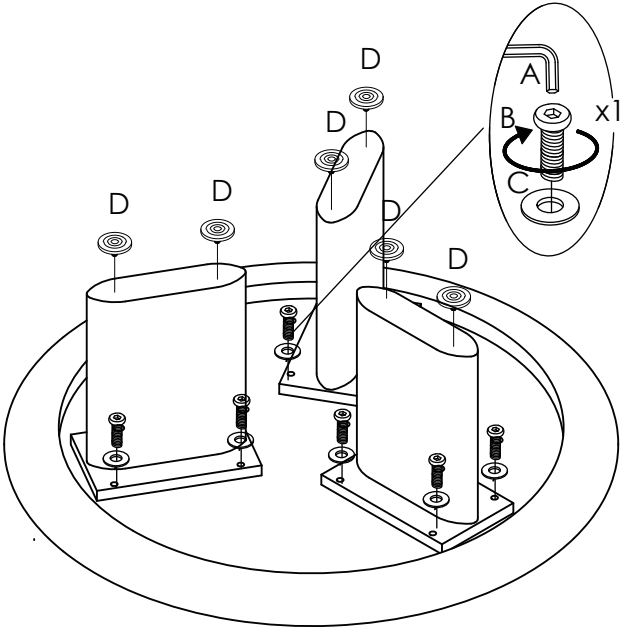


- 
A (1 pcs)
 M5
- 
B (18 pcs)
 Ø8x35mm
- 
C (18 pcs)
 Ø8x20mm
- 
D (6 pcs)
 Ø8x50mm

2.



3.

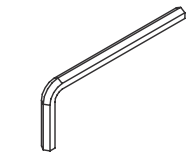
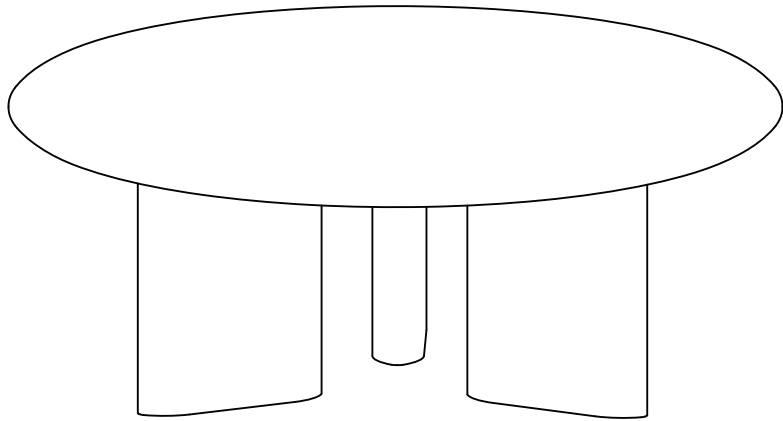


During assembly, hand tighten screws only. When the screws are in place, tighten completely.

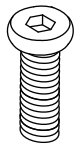
Assembly Instructions

ALBERT-35 ROUND COFFEE TABLE

PLEASE NOTE: Check that you have received all components and hardware before assembling. If you are missing any parts, contact your retailer.



A (1 pcs)
M5



B (18 pcs)
Ø8x35mm

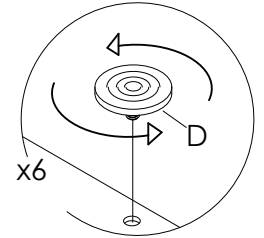
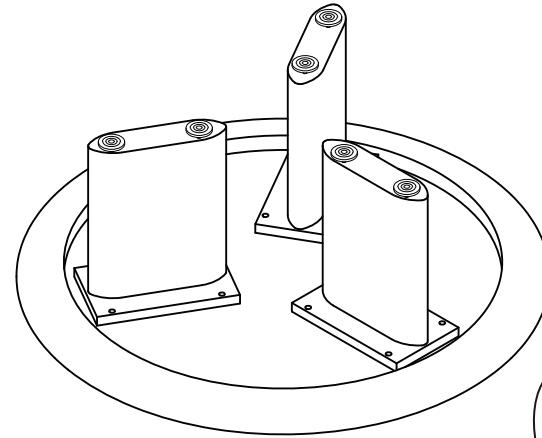


C (18 pcs)
Ø8x20mm

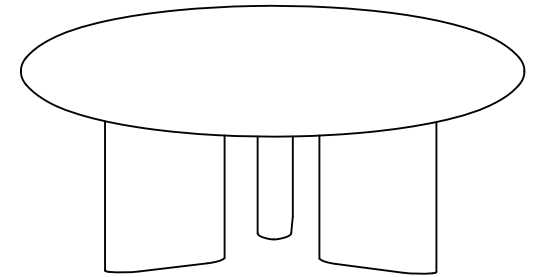
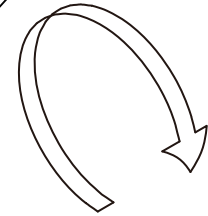


D (6 pcs)
Ø8x50mm

4.



6 Adjustable Leveling Feet



During assembly, hand tighten screws only. When the screws are in place, tighten completely.