
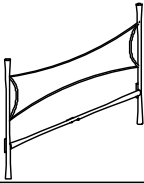

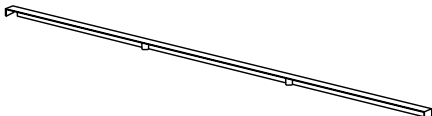
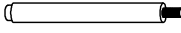
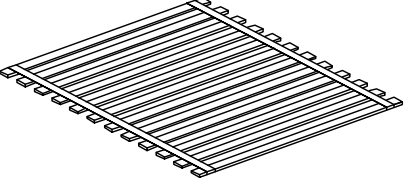
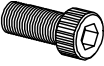



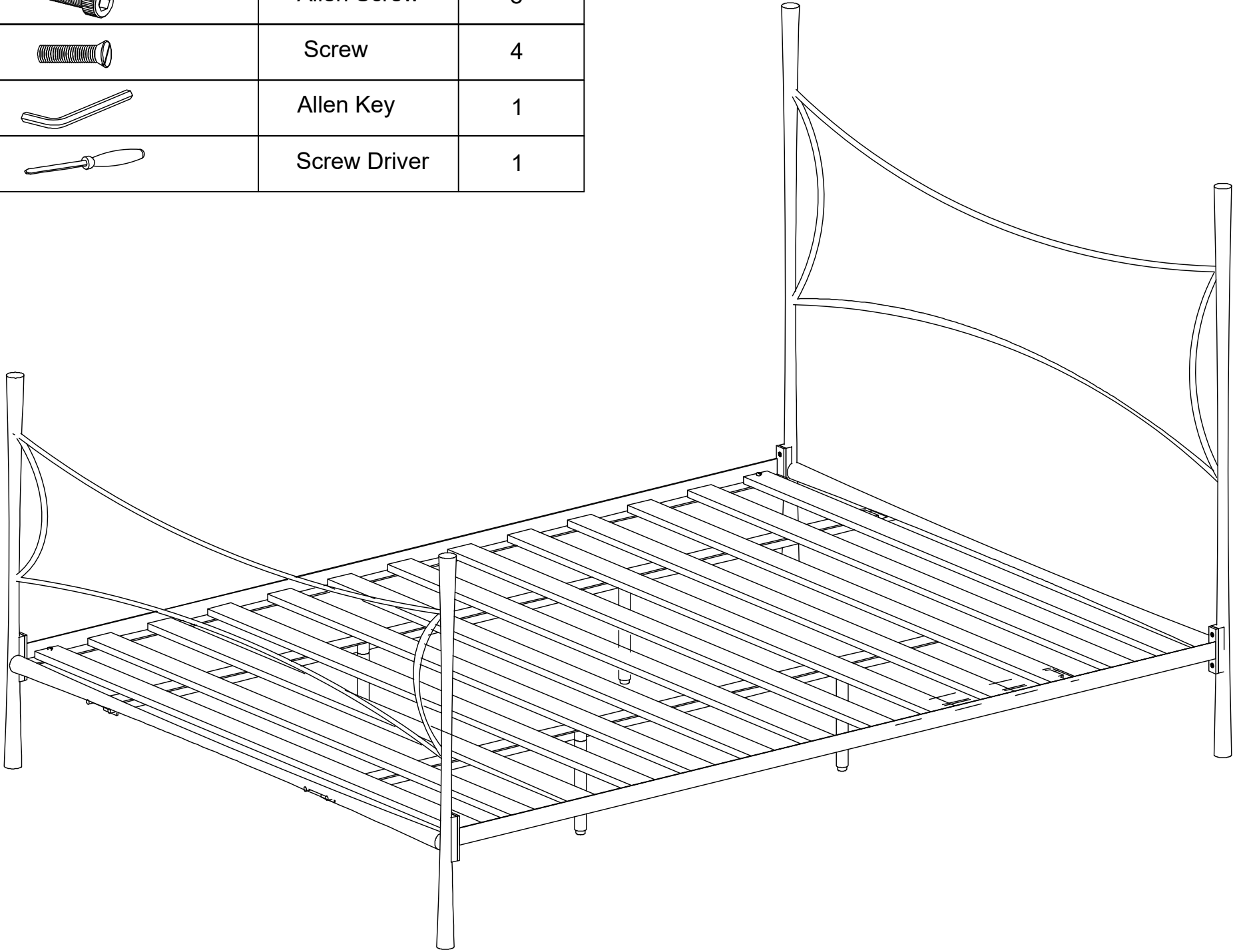


Assembly Instruction

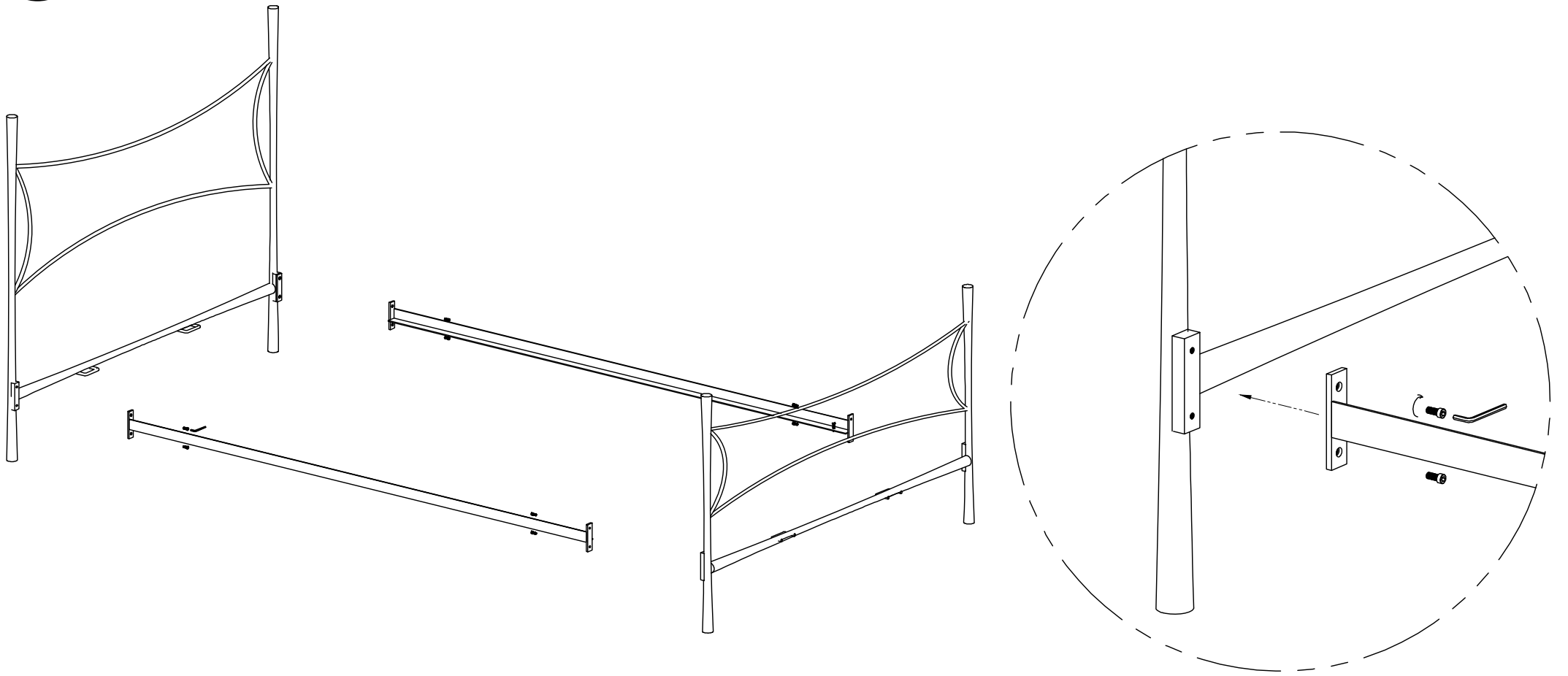
Product Description: King Bed

Hardware/Component List :

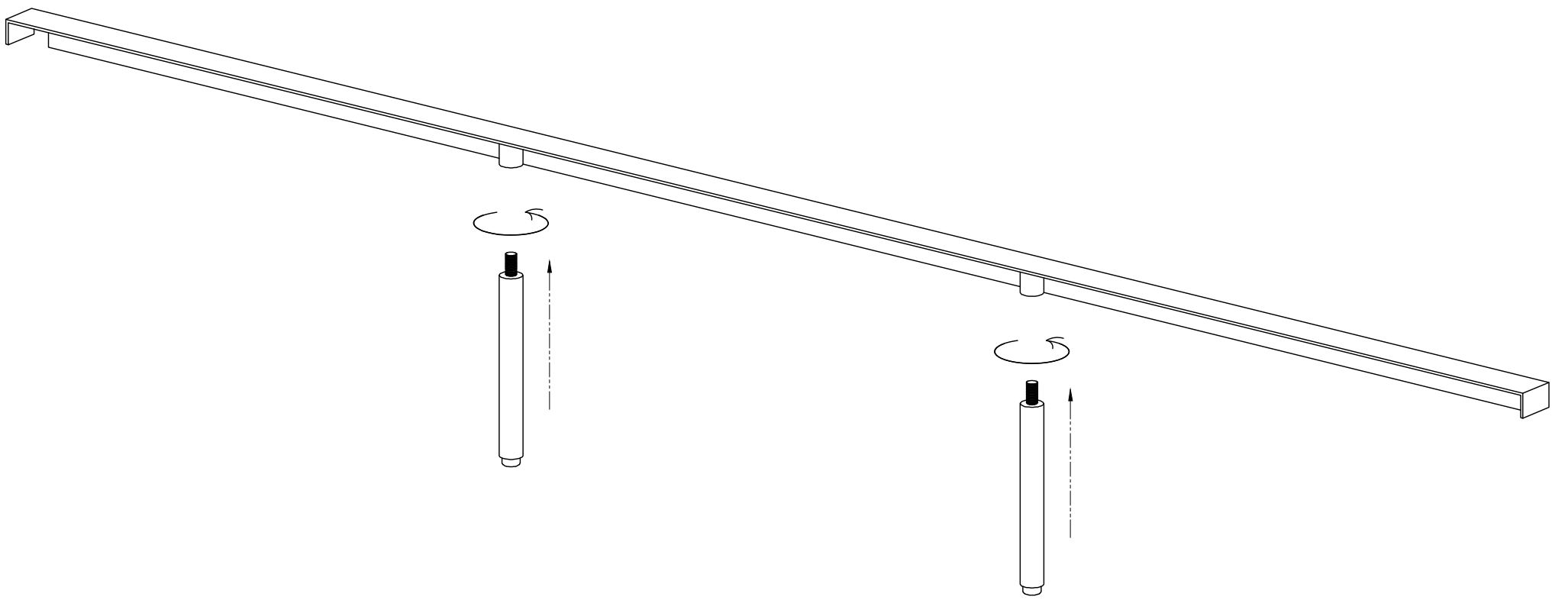
No.	Hardware/Component List	Quantity.
1	 Head Board	1
2	 Foot Board	1
3	 Side Rails	2
4	 Middle Rails	2
5	 Center Rod	4
6	 Wooden Slates	1
7	 Allen Screw	8
8	 Screw	4
9	 Allen Key	1
10	 Screw Driver	1



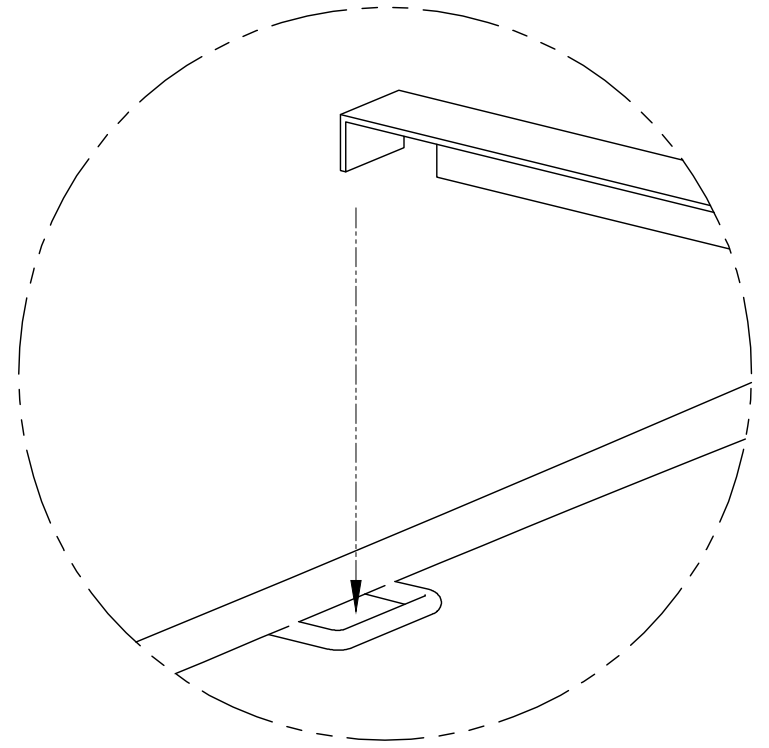
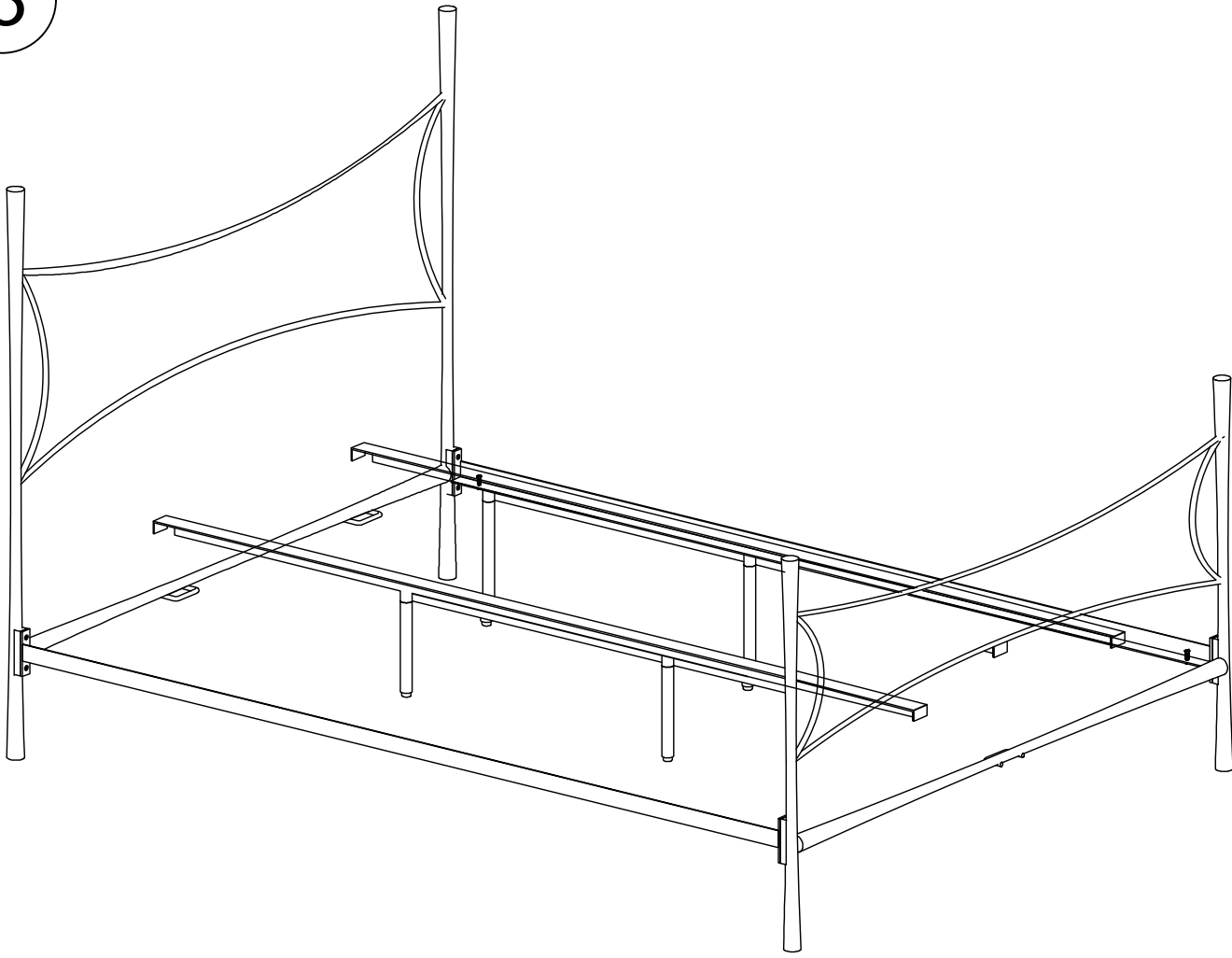
1



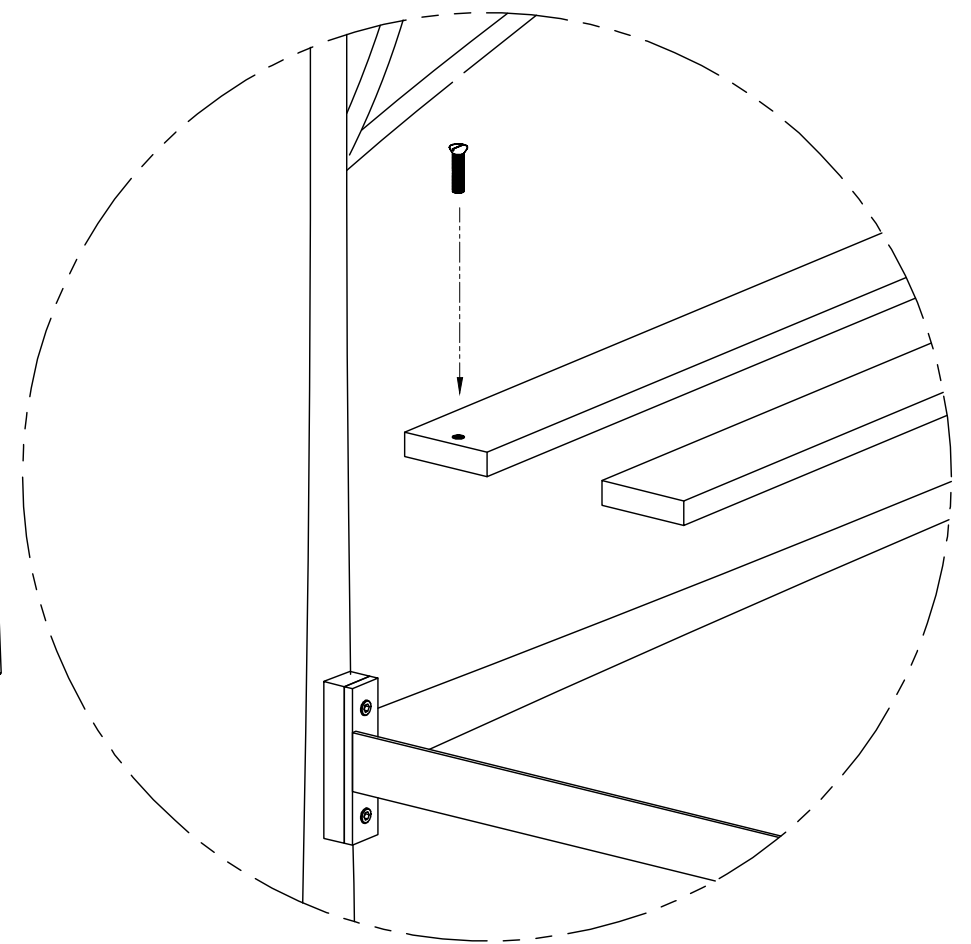
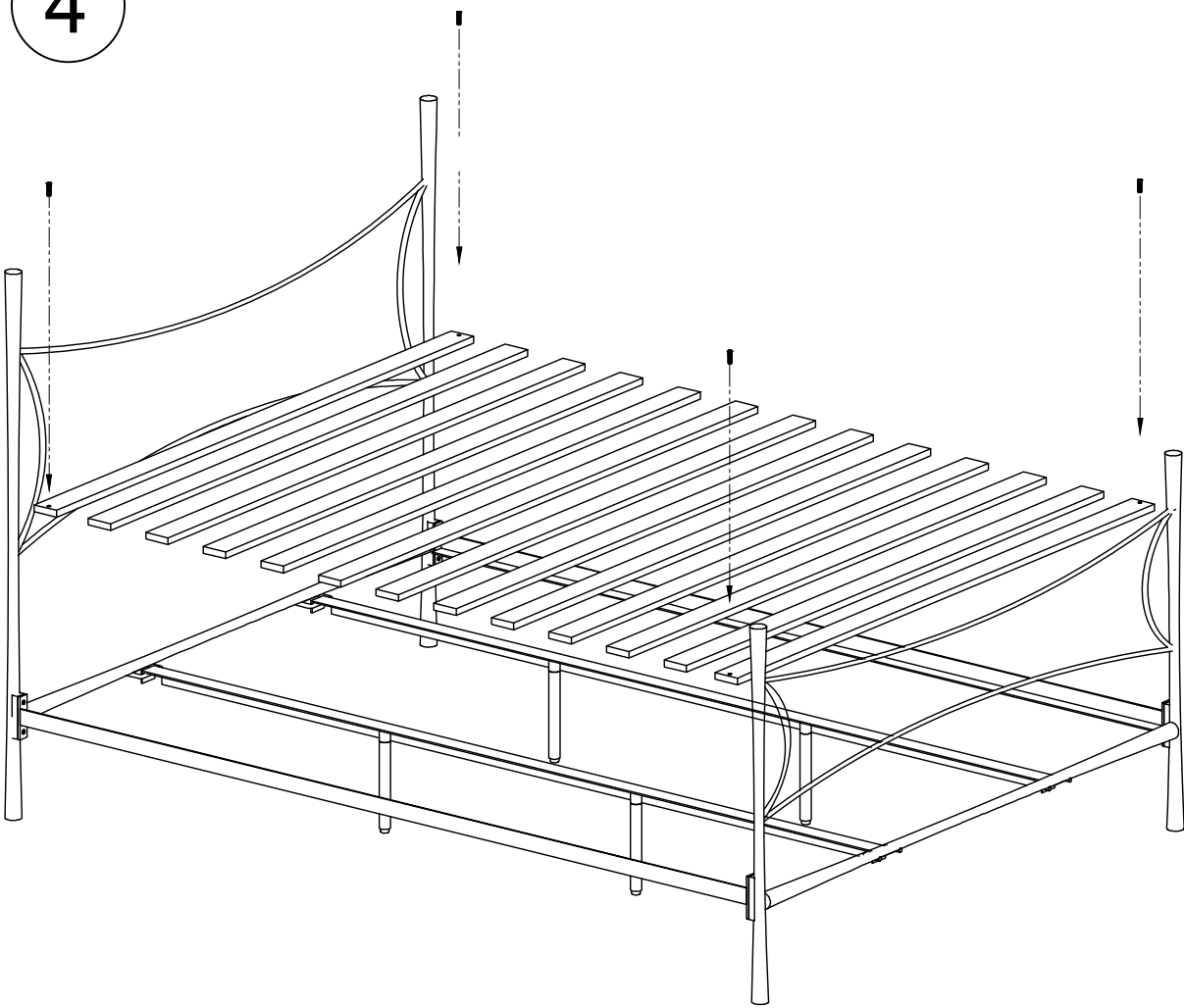
2



3



4



5

Level Adjustment - In case the doors or handles are not aligned, use levelers to adjust the balance of the them.

