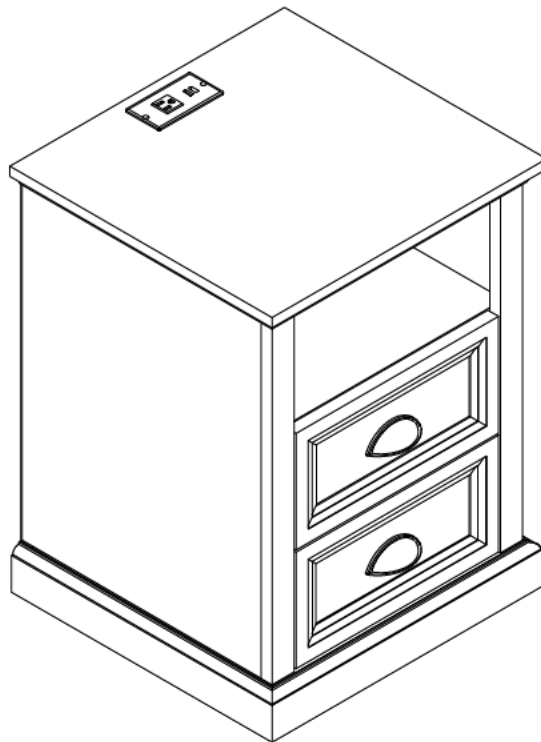


## **GENERAL INFORMATION, TIPS AND TRICKS**

1. Please read the Assembly Instructions prior to assembling this product.
2. Remove all hardware from the box and sort by size.
3. Check to see that all hardware and parts are present **BEFORE** assembling.
4. Ask a friend to assist you with the assembly of this furniture.
5. To avoid damage, assemble the product on a sturdy, level and protective surface.
6. Please wait until all steps are completed before fully tightening bolts.
7. Make sure all screws and bolts are tightly fastened before the unit is used.

## **MAXIMUM RECOMMENDED WEIGHT LOADS**



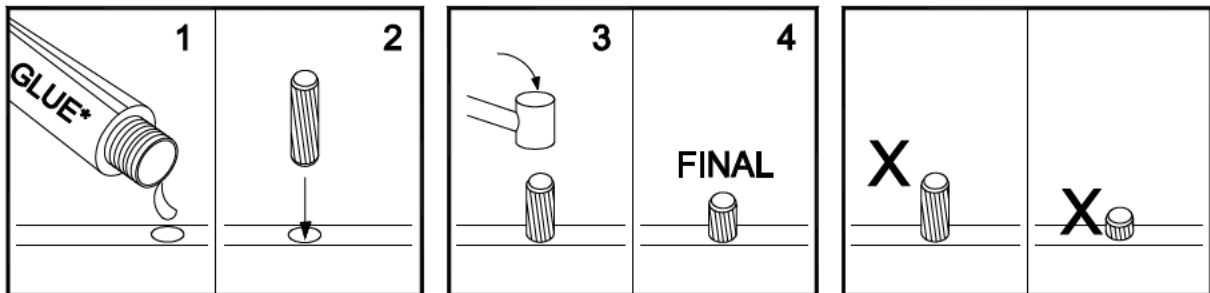
- Use only insulated staples or plastic ties (not included) to secure the cords.
- Route and secure cords so that they will not be pinched or damaged when the desk is pushed up against the wall.
- Make sure cord is not pinched between desk and floor.
- Use the unit indoors only.
- Do not use an extension cord to connect this unit to a wall outlet.
- This unit must be plugged into a properly grounded outlet.
- The socket outlet should be installed near the equipment and should be easily accessible.
- Maximum load of connected equipment cannot exceed a total of 12 amps and 120 volts.
- Do not open or disassemble this unit for any reason.

## IMPORTANT

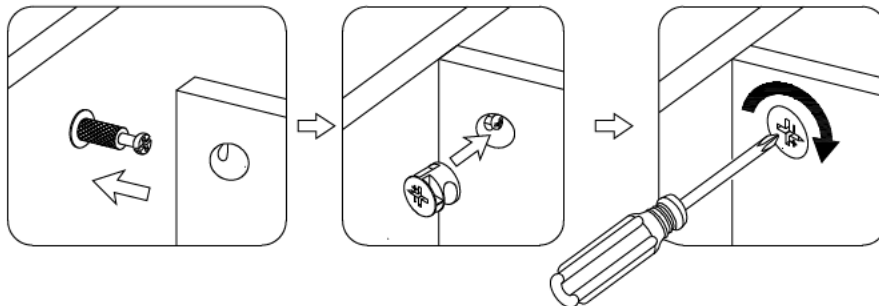
Before you begin: Open, identify and count all parts prior to assembly. Lay out parts on a flat and non-abrasive surface.

**NOTE: IT IS VERY IMPORTANT TO USE GLUE WITH THE DOWELS. EXCESS GLUE CAN BE WIPED OFF WITH A DAMP CLOTH.**

Insert Dowel at least half way by tapping lightly with a rubber mallet (not included), IF NECESSARY.



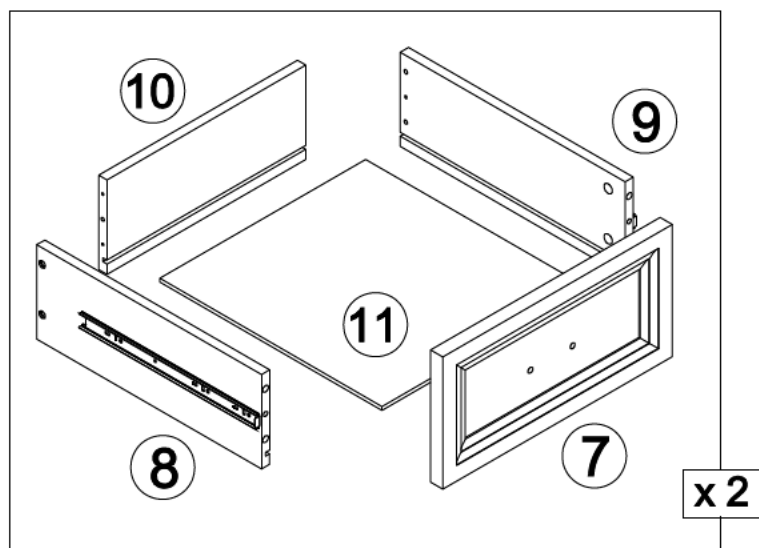
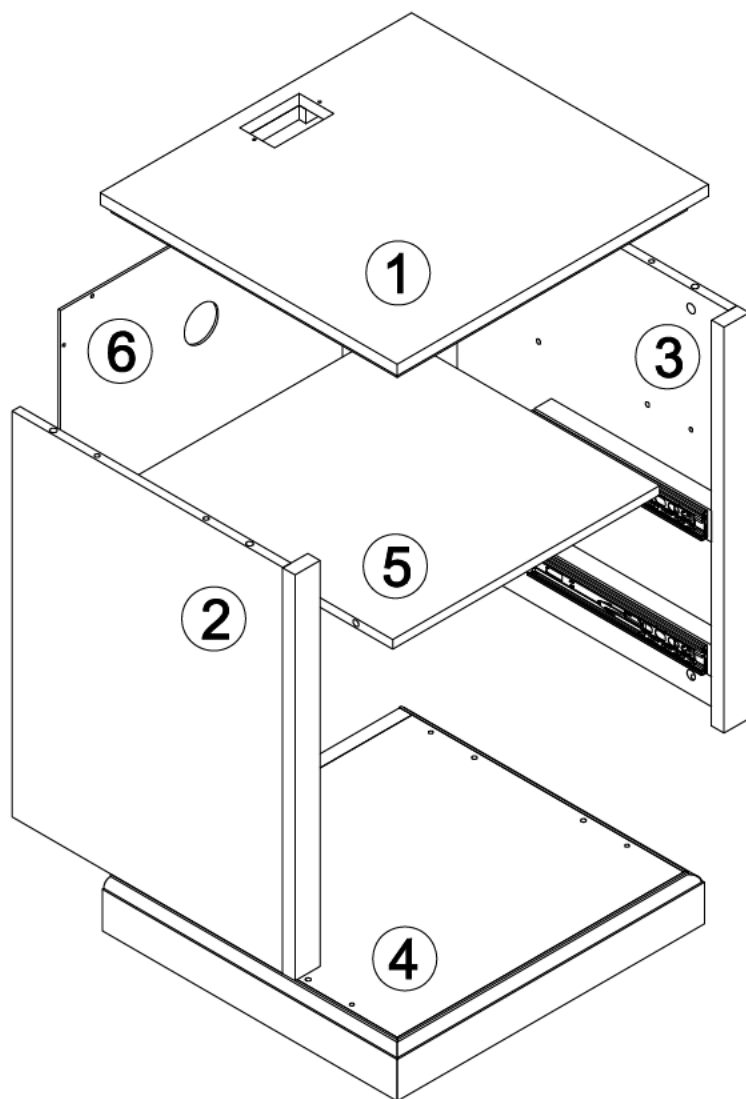
## CAM LOCK SYSTEM OPERATION












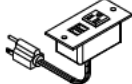
## HOW THE KNOCK DOWN (KD) ASSEMBLY SYSTEM WORKS






1. Screw the Cam Bolt into the pre-drilled small holes on the panel. Connect both panels together; making sure the Cam Bolt goes into the pre-drilled hole at the end of the panel with the Cam Lock.
2. Insert the Cam Lock into the pre-drilled large hole in the panel. Make sure the arrow on the Cam Lock is pointed towards the Cam Bolt.
3. Once the Cam Bolt is connected inside the Cam Lock, take a Phillips screwdriver (not included) and tighten the Cam Lock clockwise.

# BOARD IDENTIFICATION

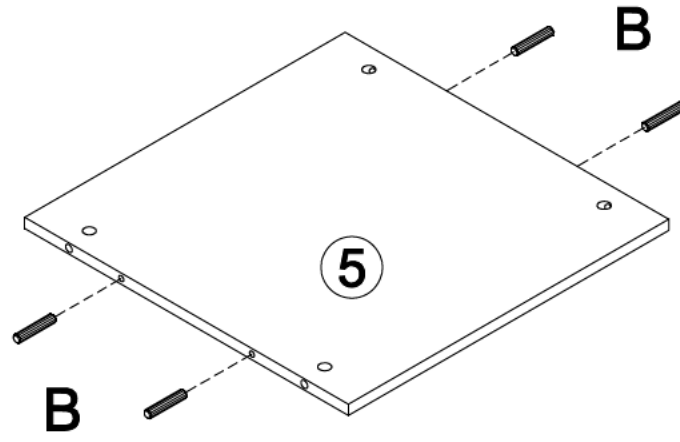


## HARDWARE IDENTIFICATION-1

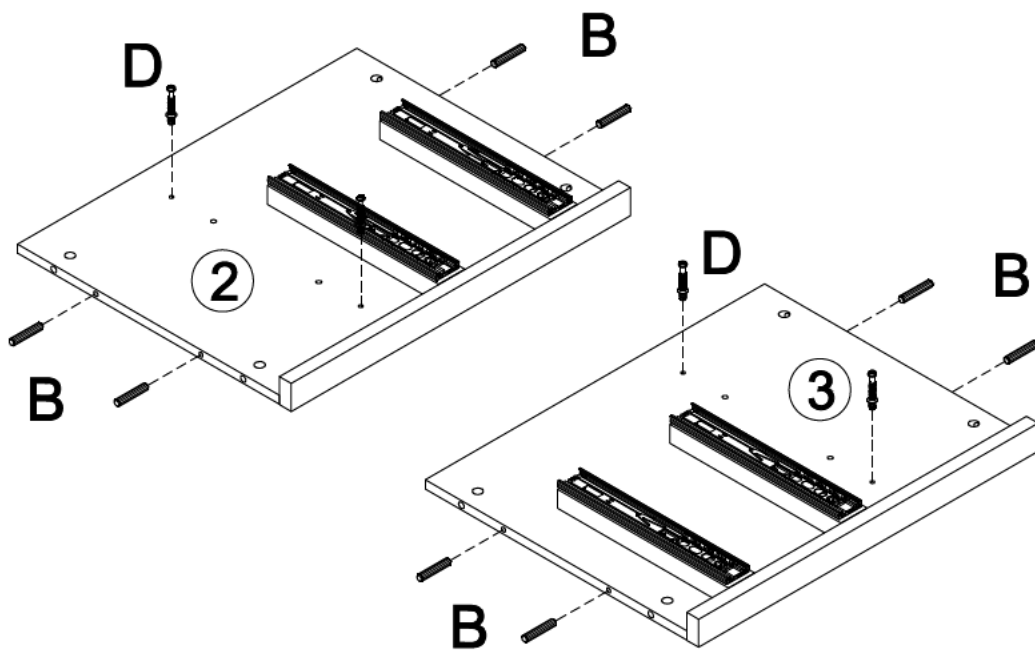
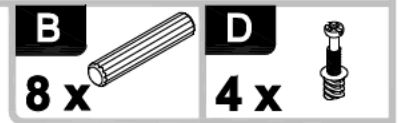
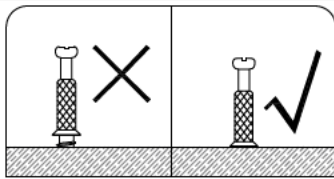
<b>A</b>		GLUE	1 PC
<b>B</b>		WOODEN DOWEL Ø6 x 30mm	20 PCS
<b>C</b>		CAM LOCK Ø15 x 9mm	20 PCS
<b>D</b>		CAM SCREW Ø7 x 34mm	20 PCS
<b>E</b>		HANDLE	2 PCS
<b>F</b>		HANDLE BOLT 5/32" x 12mm	4 PCS
<b>G</b>		FLAT HEAD SCREW Ø4 x 30mm	8 PCS
<b>H</b>		WOOD SCREW Ø3.5 x 16mm	12 PCS
<b>I</b>		WOOD SCREW Ø3.5 x 14mm	2 PCS
<b>J</b>		USB LNTERFACE	1 PCS

WALL MOUNTING KIT		
	Meta	2
	Steel cable	1
	Short screw Ø4*20mm	1
	Long screw Ø4*38mm	1
	Drywall anchor	1

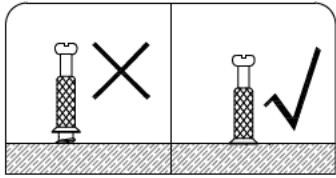
**STEP**  
**1**



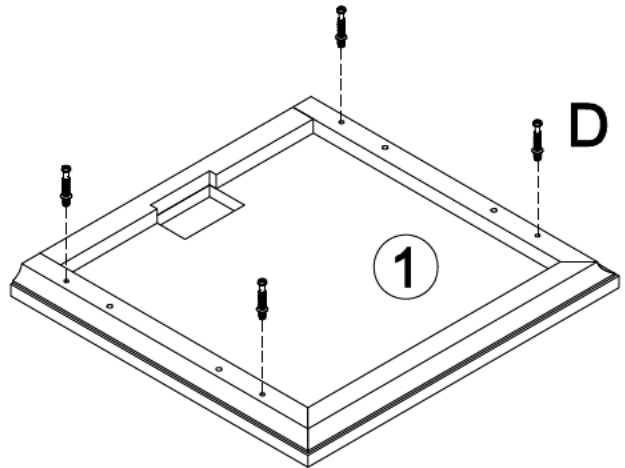
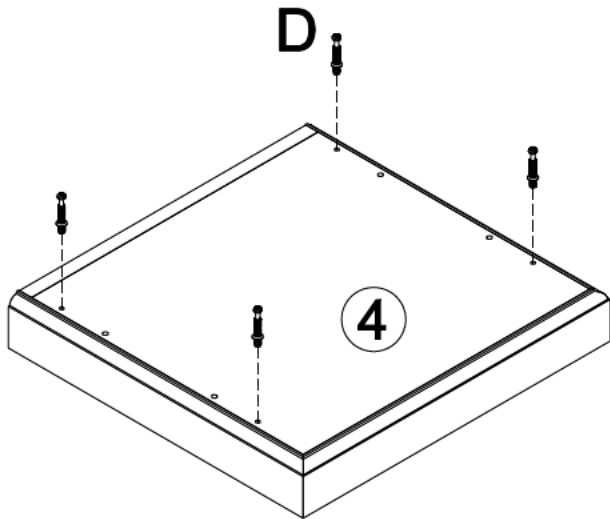
**STEP**  
**2**



**STEP**  
**3**

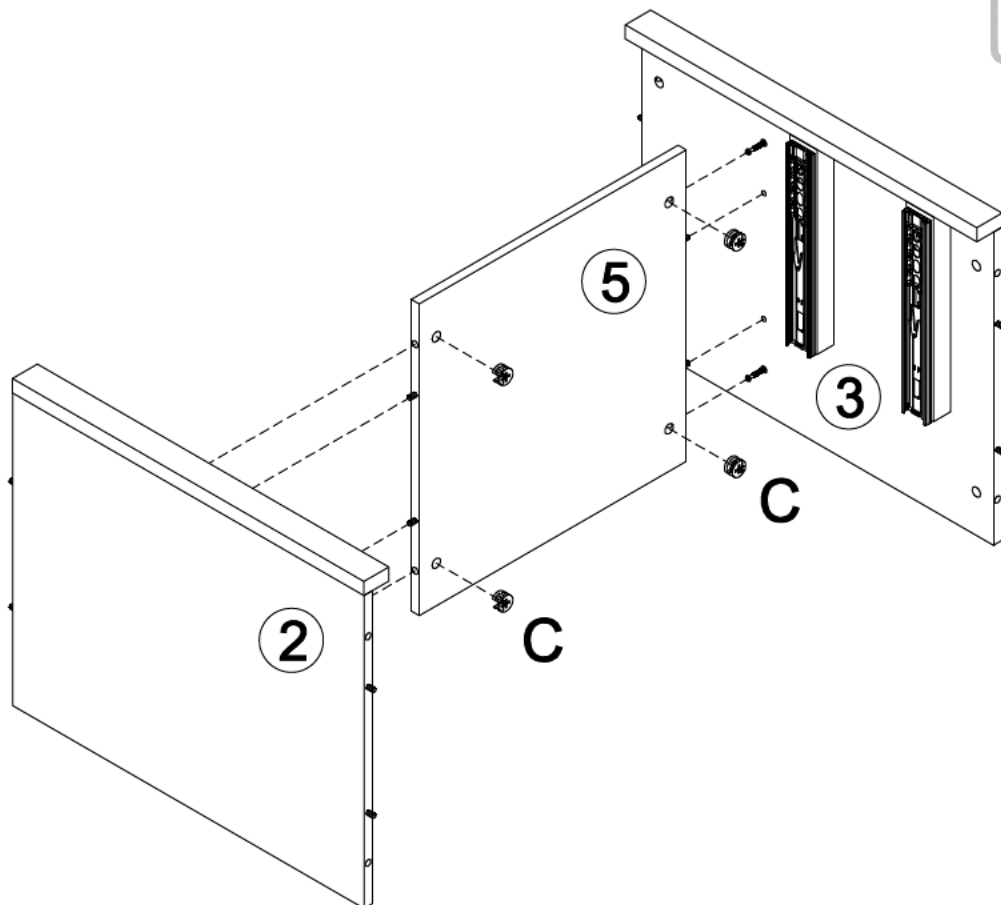


**D**  
**8 x**



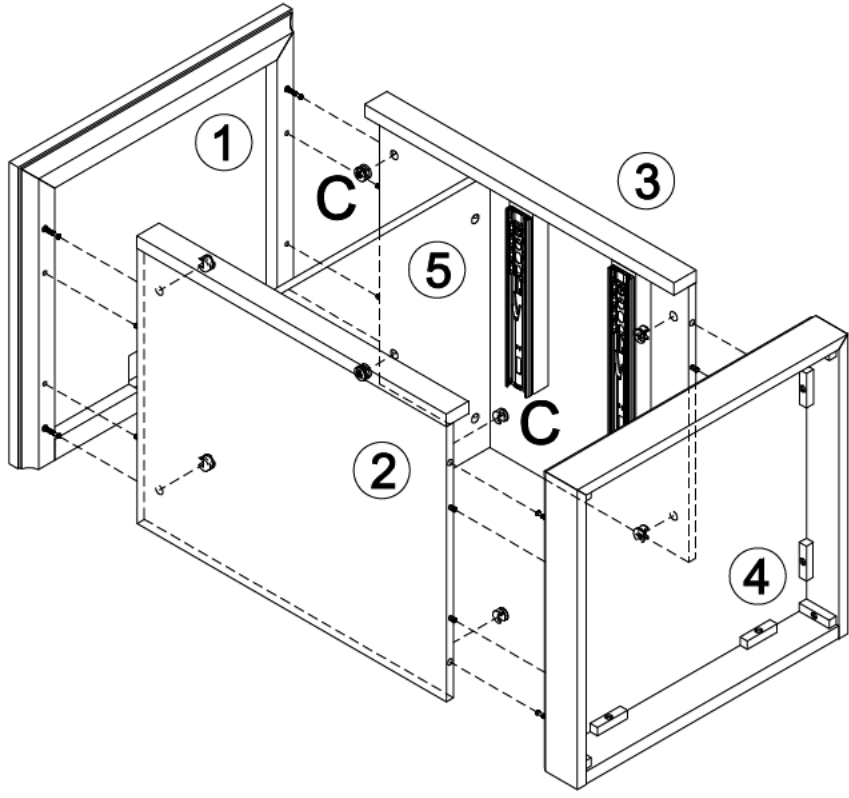
**STEP**  
**4**

**C**  
**4 x**

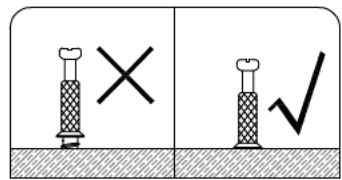


**STEP**  
**5**

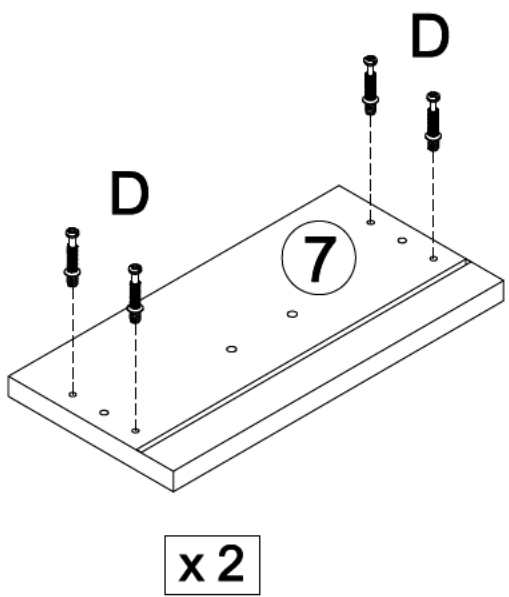
**C**  
**8 x** 



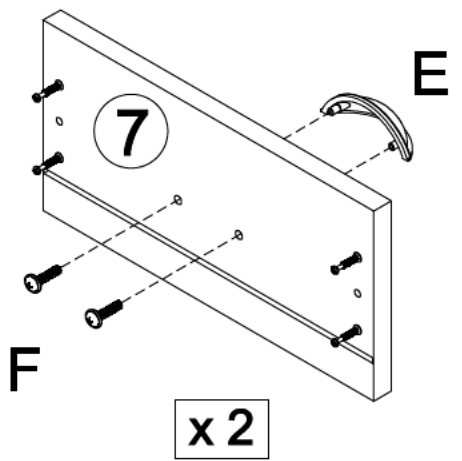
**STEP**  
**6**



**D**  **8 x**    **E**  **2 x**    **F**  **4 x**



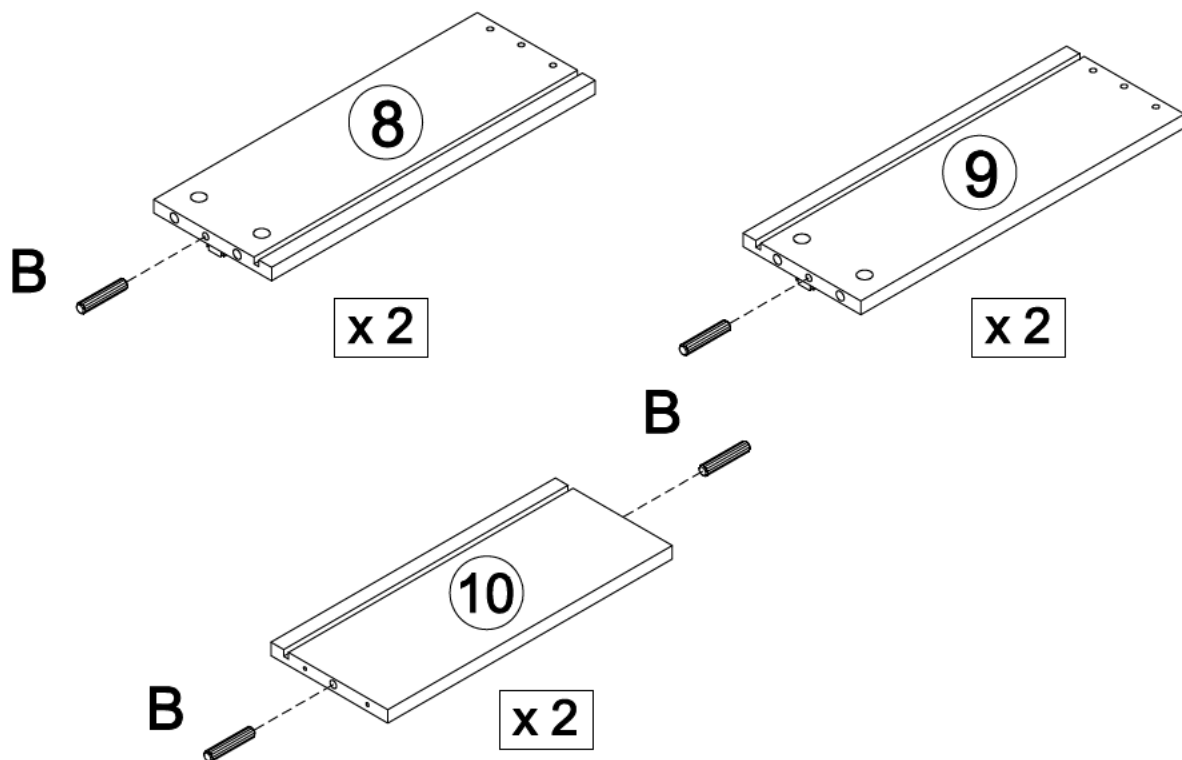
**x 2**



**x 2**

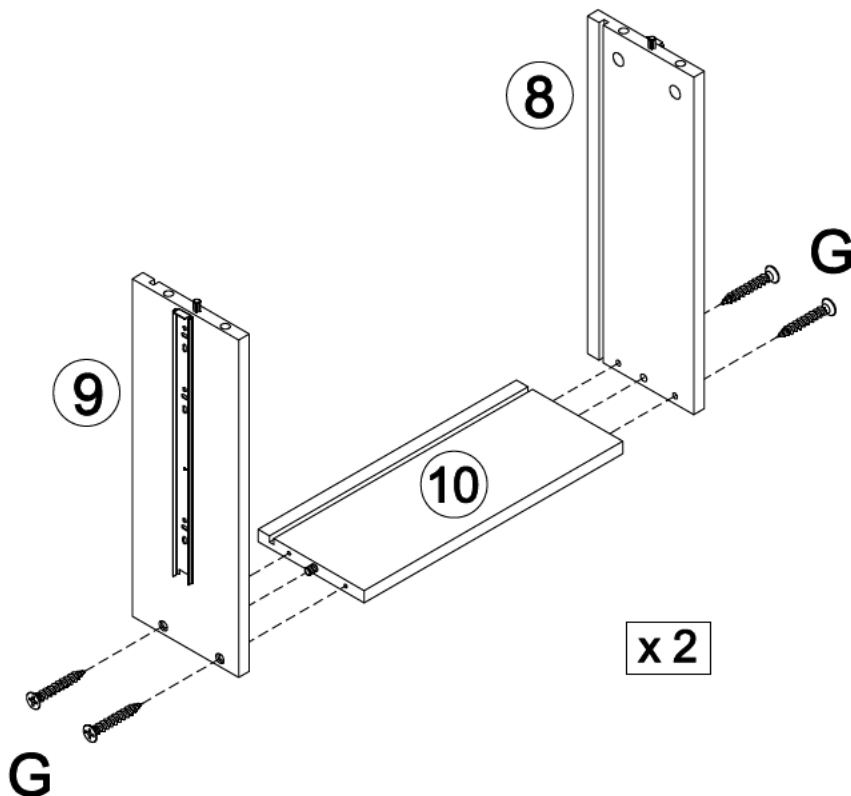
**STEP  
7**

**B**  
**8 x** 

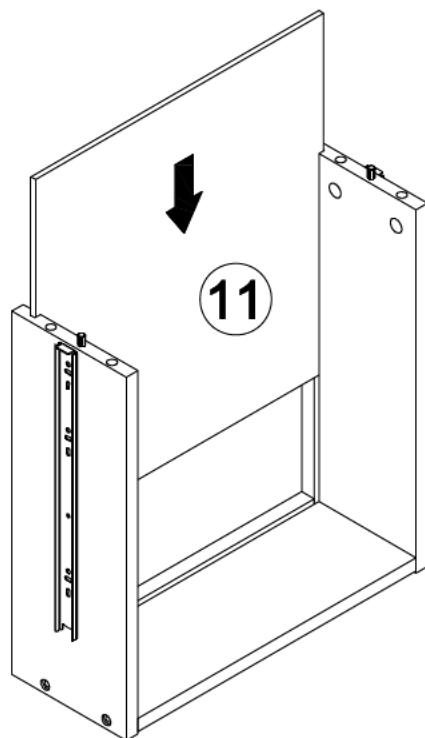


**STEP  
8**

**G**  
**8 x** 

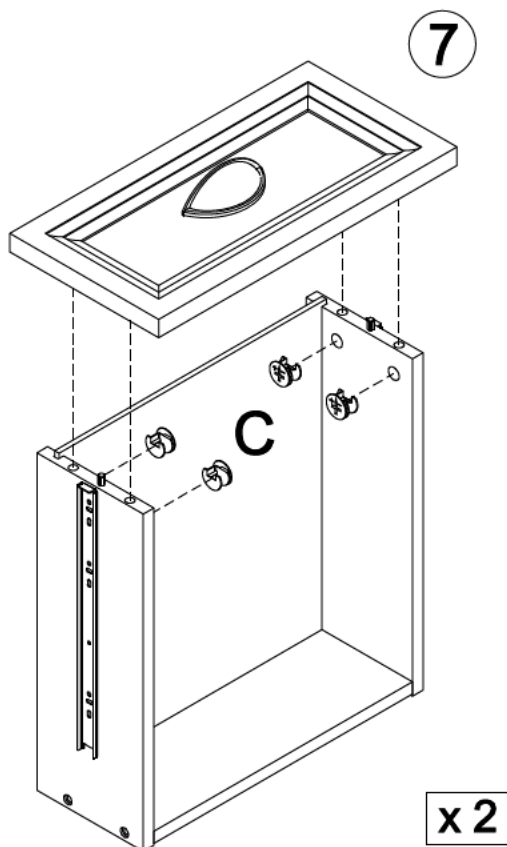


**STEP**  
**9**



**x 2**

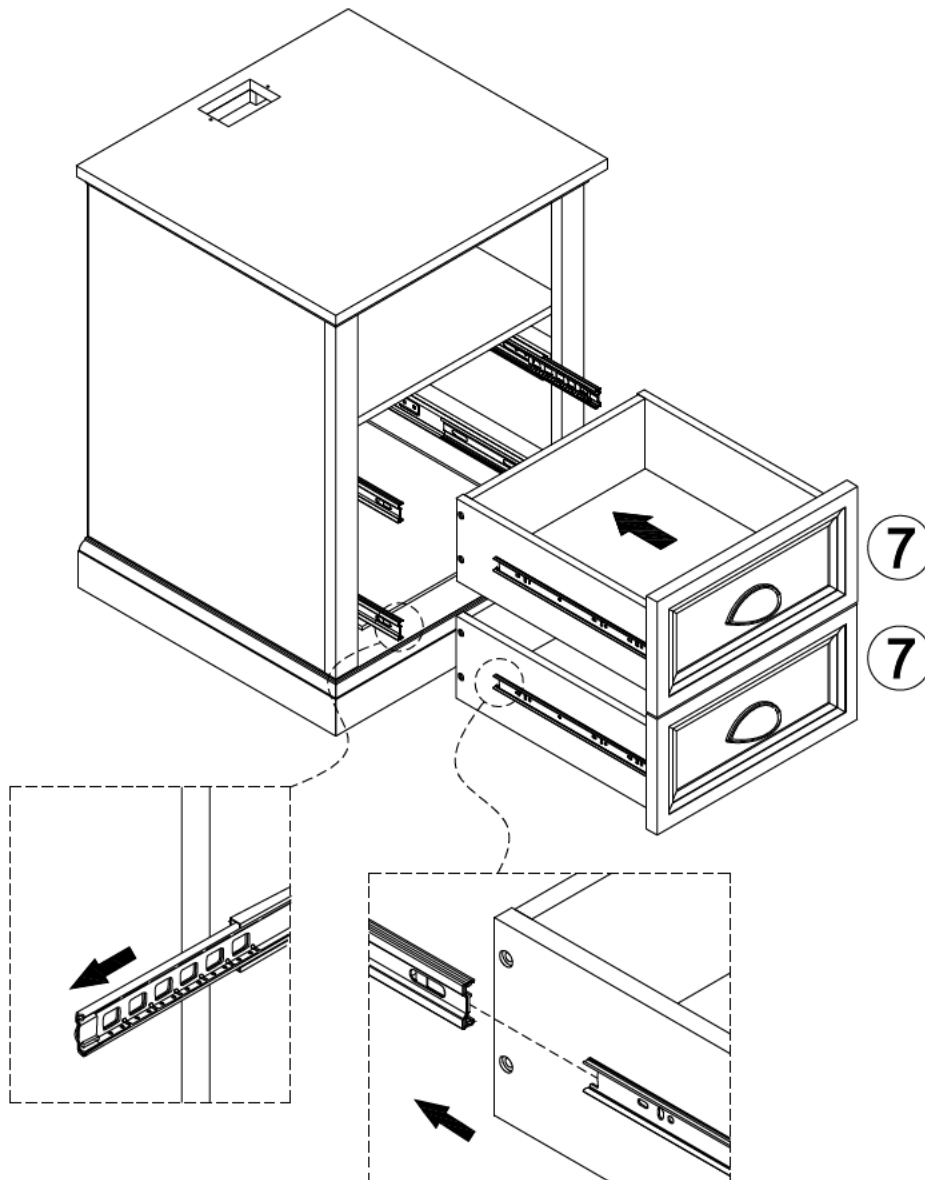
**STEP**  
**10**



**C**  
**8 x** 

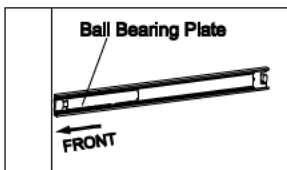
**x 2**

**STEP  
11**



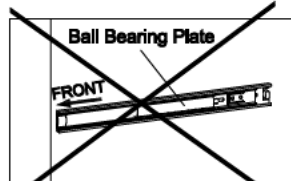
**File Drawer Installation**

**CORRECT 1**



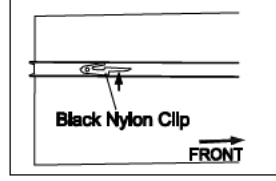
Before Inserting the Drawer, make sure to slide the ball bearing plates located on the Side Frames to the **FRONT** of the unit as illustrated.

**INCORRECT 2**

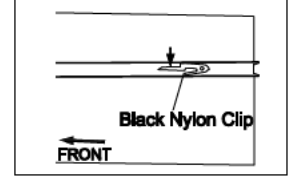


**File Drawer Removal**

**3**



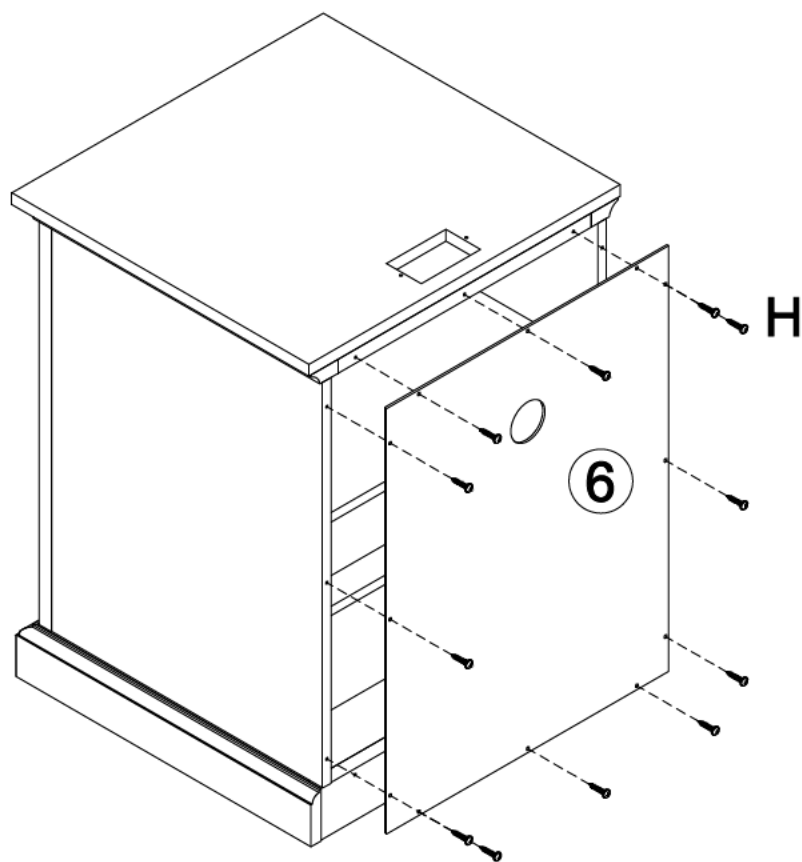
**4**



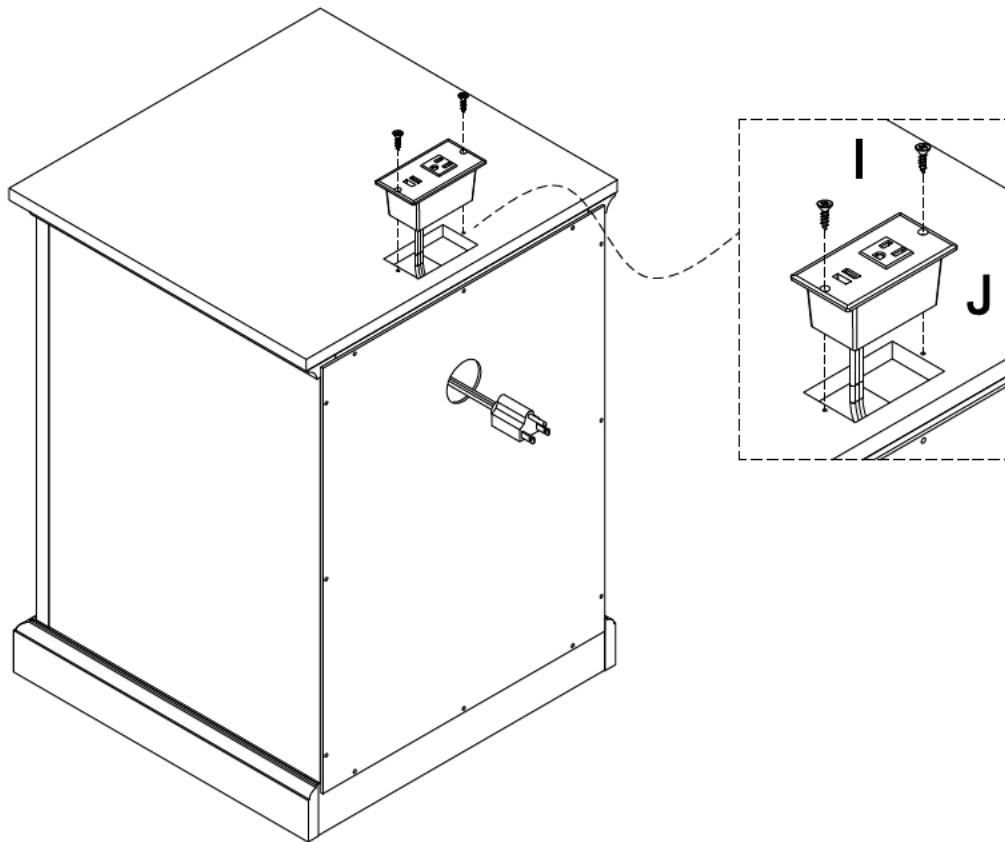
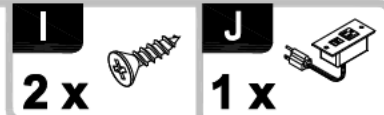
To release the glides, pull the Drawer out until you can see/feel the black nylon clips. Now press the clip on the Left Glide **UPWARD** while lifting the clip on the Right Glide **DOWNWARD**. This will release the Drawer to be easily removed.

**STEP  
12**

**H**  
**12 x** 



## STEP 13



### WARNINGS

Your hub automatically shuts off any port with a low or excessive current.

If one of your hub ports is disabled, but USB Hub Current Limit Exceeded does not appear:

- Disconnect and reconnect the affected device.
- If the port still does not work, disconnect the hub and the device, and then reconnect.

Keep your desktop hub dry; if it gets wet, wipe it dry immediately.

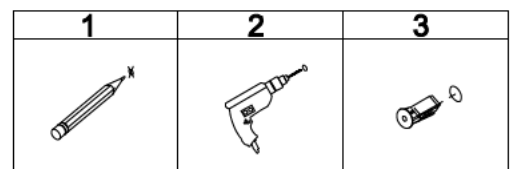
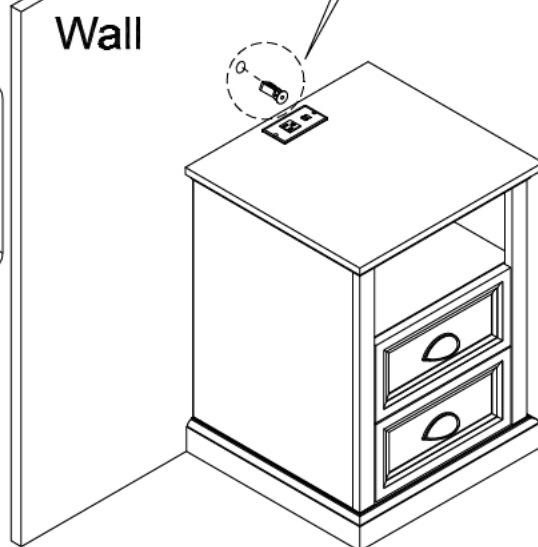
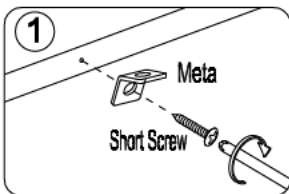
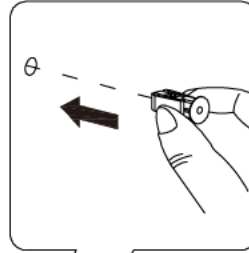
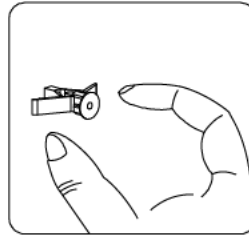
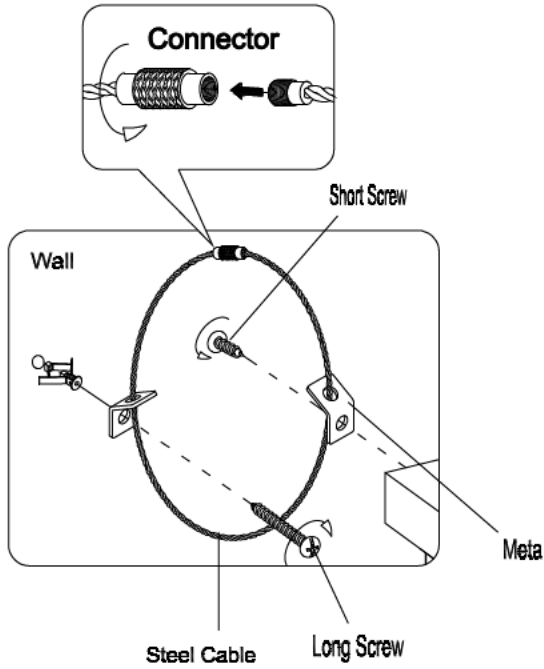
Do not modify or tamper with your desktop hub's internal components. It may cause a malfunction and invalidate its warranty.

Modifications not approved by the party responsible for compliance could void user's authority to operate the equipment.

# STEP 14

## WARNING

Serious or fatal injuries can occur from furniture tipping over. To prevent the furniture from tipping over we recommend that it is permanently fixed to the wall. Wall anchor and hardware are included with this product. Please make sure hardware is suitable for your walls before installing, as different wall materials may require different types of anchors.



## **Care and Maintenance**

- Use a soft, clean cloth that will not scratch the surface when dusting.
- Use of furniture polish is not necessary. Should you choose to use polish, test first in an inconspicuous area.
- Using solvents of any kind on your furniture may damage the finish.
- Never use water to clean your furniture as it may cause damage to the finish.
- Always use coasters under beverage glasses and flowerpots.
- Liquid spills should be removed immediately. Using a soft, clean cloth, blot the spill gently. Avoid rubbing.
- Always use protective pads under hot dishes and plates. Heat can cause chemical changes that may create spotting within the furniture finish.
- Stains or marks from crayons or ink markers will be difficult to remove.
- In the event that your furniture is stained or otherwise damaged during use, we recommend that you call a professional to repair your furniture.
- Check bolts/screws and nuts periodically and tighten them if necessary.

## **Caring for Wood Furniture**

It is best to keep your furniture in a climate-controlled environment. Extreme temperature and humidity changes can cause fading, warping, shrinking and splitting of wood. It is advised to keep furniture away from direct sunlight as sun may damage the finish.

Proper care and cleaning at home will extend the life of your purchase. Following these important and helpful tips will enhance your furniture as it ages.