

BALANCE

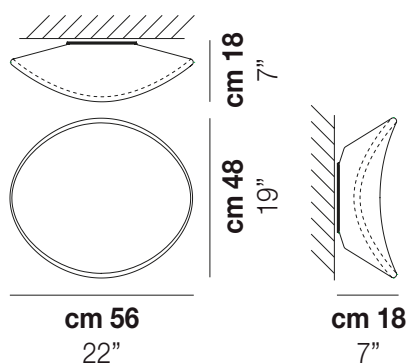
Design Pio e Tito Toso

BALANCE PL G



Inspired by the elliptic orbit of a planet around the sun, a motion that is created by the harmony and balance of unseen forces represented with the glass and the light. Available in three dimensions as suspension and ceiling.

BALANCE PL G



TECHNICAL DATA:



CERTIFICATIONS:



LIGHT SOURCES

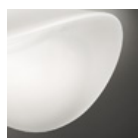
LED Type	Power	Voltage/Freq	Beam Angle	Temp	Dimming
LED 2700K DIM2	1x19 W	120V/60HZ	2700 K	39 V	DIM2 Phase Cut
LED 2700K DIM3	1x19 W	120V/60HZ	2700 K	39 V	DIM3 0-10V, Push
LED 3000K DIM2	1x19 W	120V/60HZ	3000 K	39 V	DIM2 Phase Cut
LED 3000K DIM3	1x19 W	120V/60HZ	3000 K	39 V	DIM3 0-10V, Push

VOLUME Mc 0,16
 GROSS WEIGHT Kg 8,5
 NET WEIGHT Kg 6

[download](#)



SHADE FINISHING



BCLU

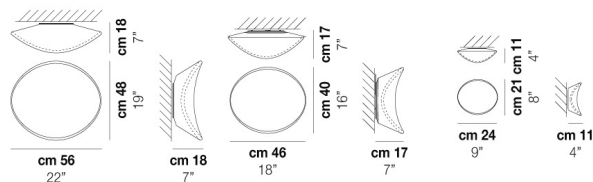
FRAME FINISHING



BC

OTHER VERSION AVAILABLE

Click on the version to go to the web version of the product



[BALAN PP G](#)

[BALAN PP M](#)

[BALAN PP 24](#)