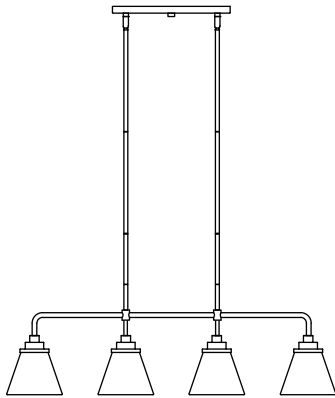
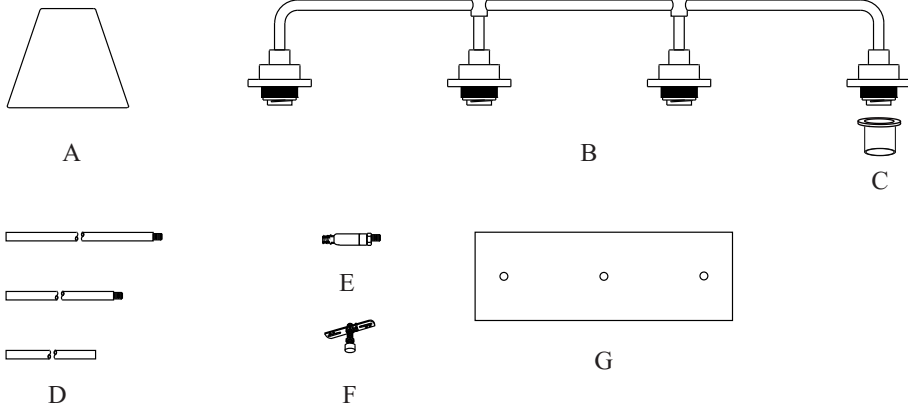


# Instruction Manual

## 4-Light Island Light



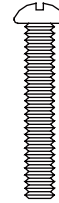
### PACKAGE CONTENTS



PART	DESCRIPTION	QUANTITY
A	Glass shade	4
B	Fixture	1
C	Socket ring (preassembled to Fixture (B))	4
D	12 in. Pipe*8, 6 in. Pipe*2, 3 in. Pipe*2	1
E	90° swivel	2
F	Mounting Strap	1
G	Canopy	1

### HARDWARE CONTENTS(shown actual size)

AA



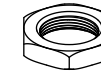
Long  
mounting x 2  
screw

BB



Wire nut x 3

CC



Hex Nut x 2

### ! SAFETY INFORMATION

Please read and understand this entire manual before attempting to assemble, operate or install the product.

### ! WARNING

- TURN OFF ELECTRICITY at main fuse box (or circuit breaker box) before beginning installation by removing fuse (or switching off circuit breaker).
- MINIMUM 90°C SUPPLY CONDUCTORS.

### PREPARATION

Before beginning assembly of product, make sure all parts are present. Compare parts with package contents list and hardware contents list. If any part is missing or damaged, do not attempt to assemble the product.

**Estimated Assembly Times: 25 minutes**

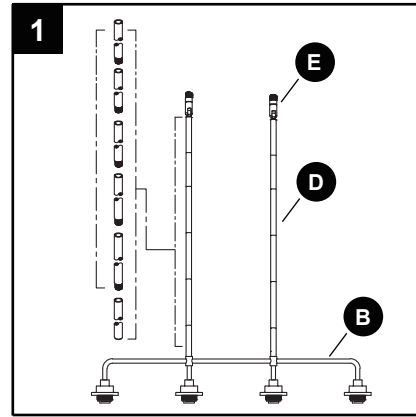
Tools Required for Assembly (not included): Flathead screwdriver , Phillips screwdriver, Pliers, Electrical tape, Wire cutters, Safety glasses.

Helpful Tools (not included): Wire strippers, Step ladder.

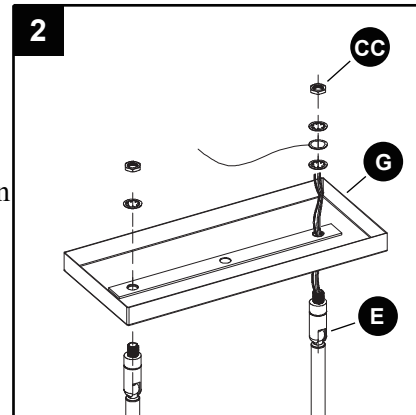
**Customer Service: [service@24h-reply.com](mailto:service@24h-reply.com)**

## ASSEMBLY INSTRUCTIONS

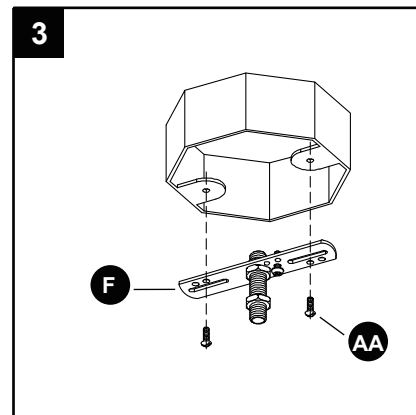
1. Once hanging length is determined, pass wires through the pipes (D), tightening pipes (D) to assembly as you go to avoid twisting the wires. Tighten the pipe assembly (D) onto the fixture (B). Continue to pass the wires through the 90° swivels (E) and attach them to pipe assembly (D).



2. Insert the wires and the 90° swivels (E) up through the outer holes and loosely thread the lock washers and hex nuts (CC) onto the nipples. Then adjust the 90° swivels (E) so that they bend in the same direction and tighten the hex nuts (CC) securely

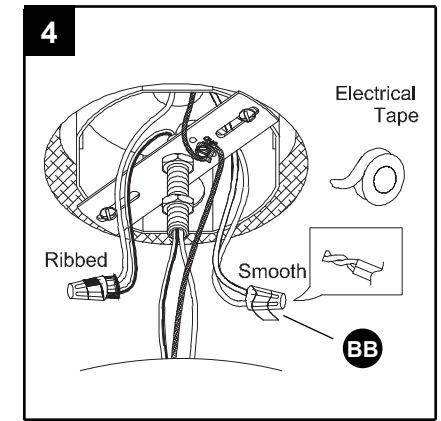


3. Attach this assembly to the outlet box using the mounting screws (AA) supplied with the outlet box (not provided). Tighten securely

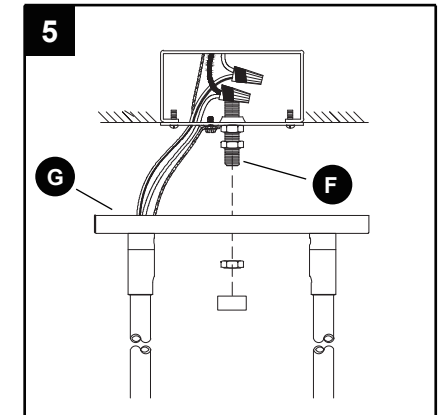


## ASSEMBLY INSTRUCTIONS

4. Strip 3/4 in. of insulation from wire ends. Twist stripped ends together with pliers (not included), black to black (power) and white to white (neutral). Attach copper wire to ground wire. Helpful hint: If necessary, attach copper ground wire to grounded outlet box. Attach wire nuts (BB). Tape wire nuts (BB) and wires together.



5. Position and attach the canopy (G) onto the nipple and use the finial to secure it tightly to the ceiling.



6. Attach the glass shades (A) onto the fixture sockets (B) and use the socket rings to secure them tightly. Thread medium base bulbs (not included) into the fixture sockets.

