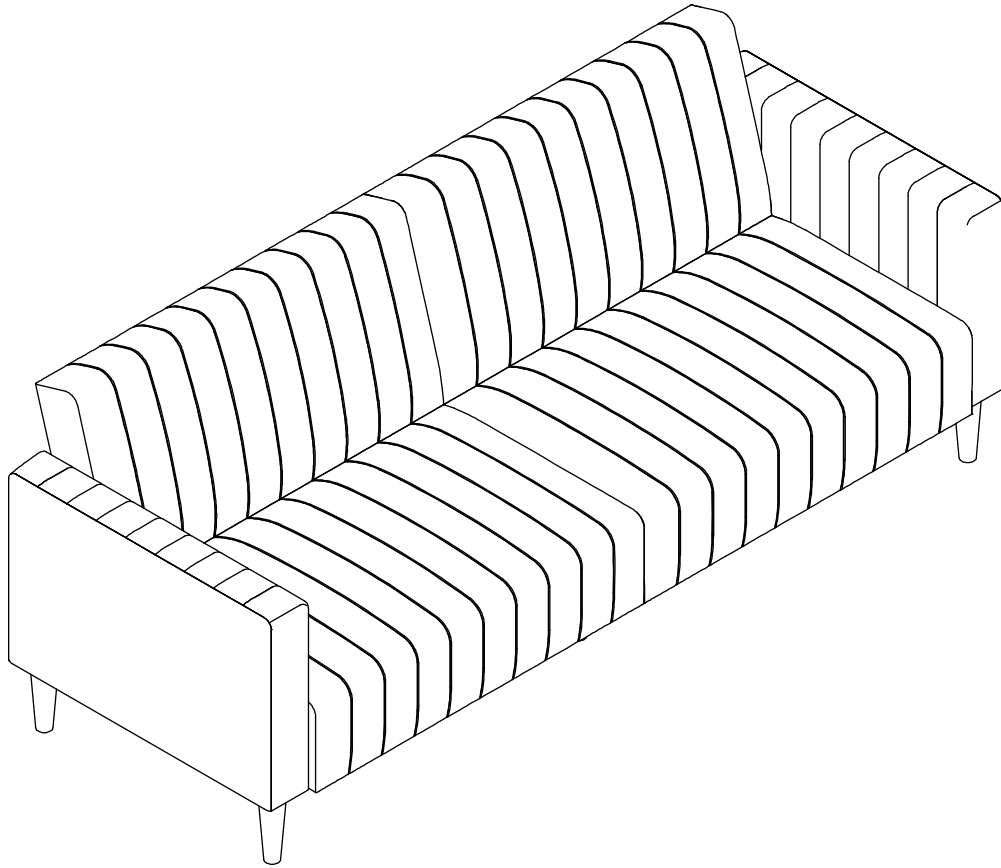
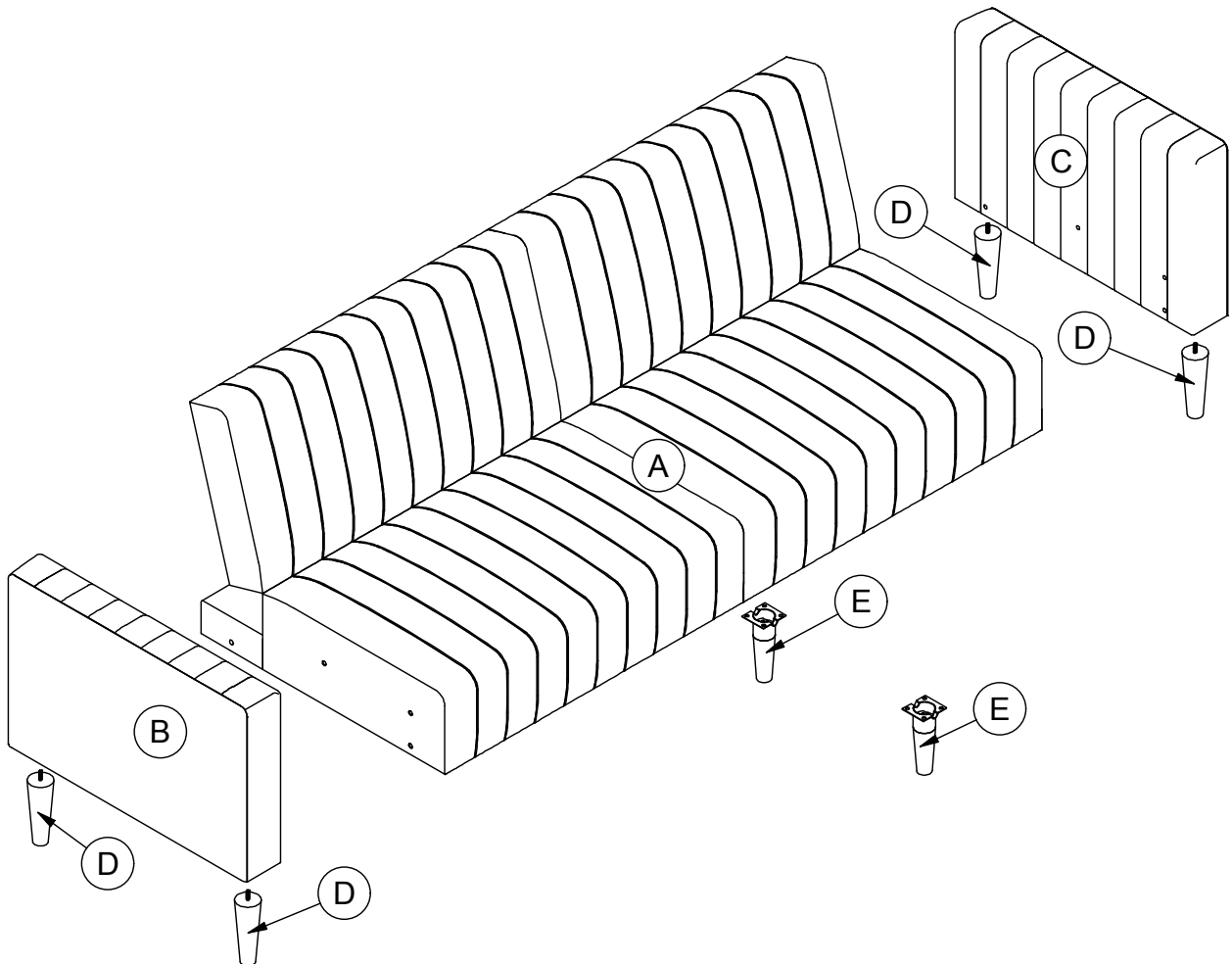


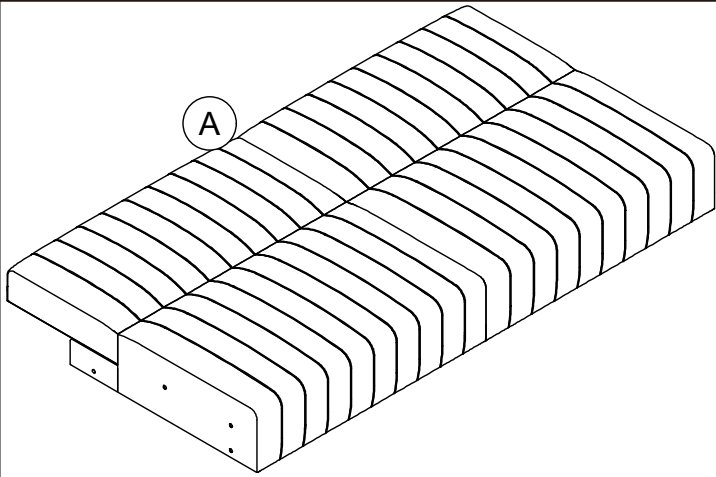
Assembly Instruction



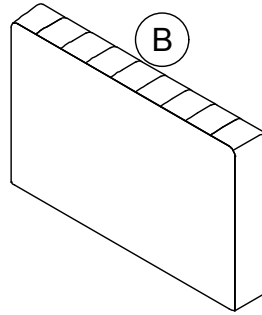
PARTS



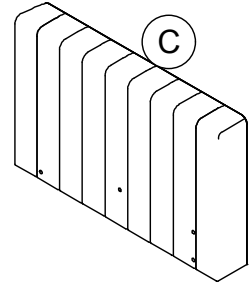
PARTS LIST



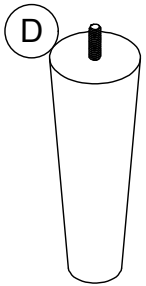
Seat X 1 PC



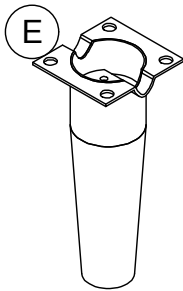
Arm X 1 PC



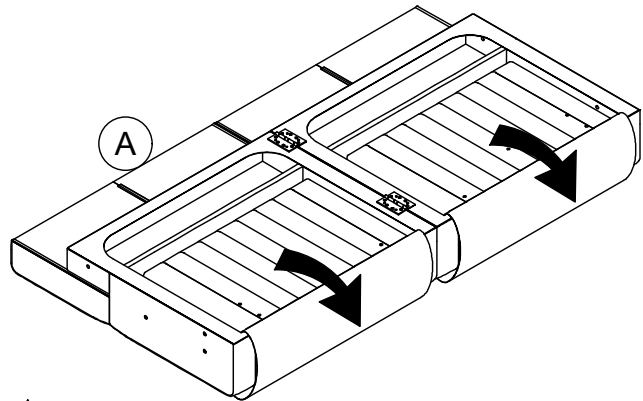
Arm X 1 PC



Leg X 4 PCS

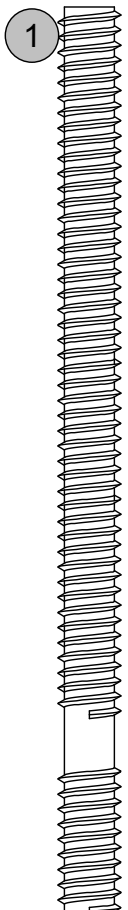


Middle Leg X 2 PCS

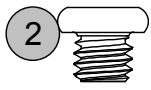


! Some parts will be found in the compartment under the seat as shown.

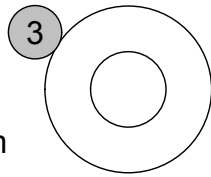
HARDWARE



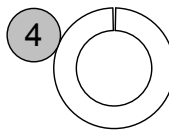
Stud
5/16" X 120mm
X 8



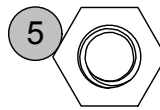
Bolt
M6 X 6mm
X 8



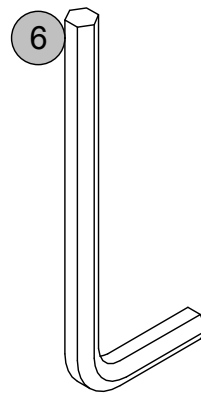
Washer
X 8



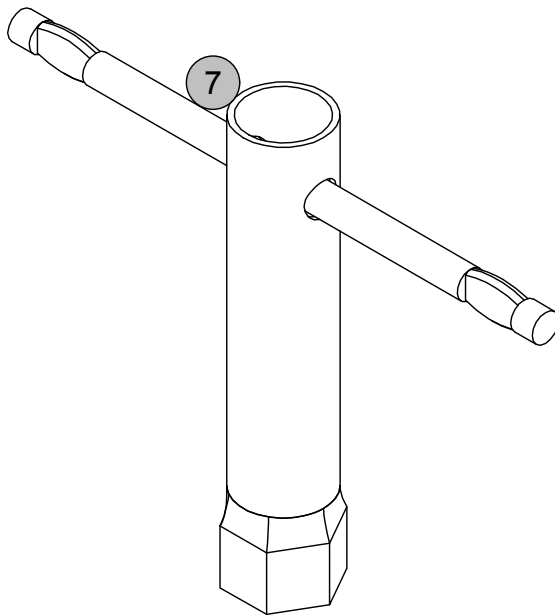
Spring Washer
X 8



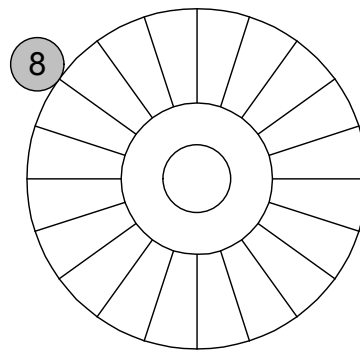
Nut
X 8



Allen Key 4mm
X 1



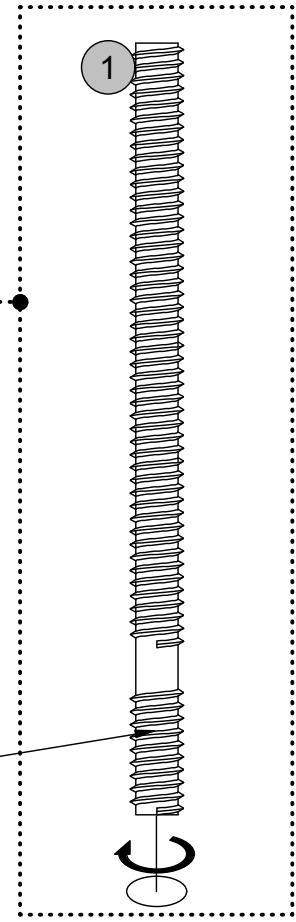
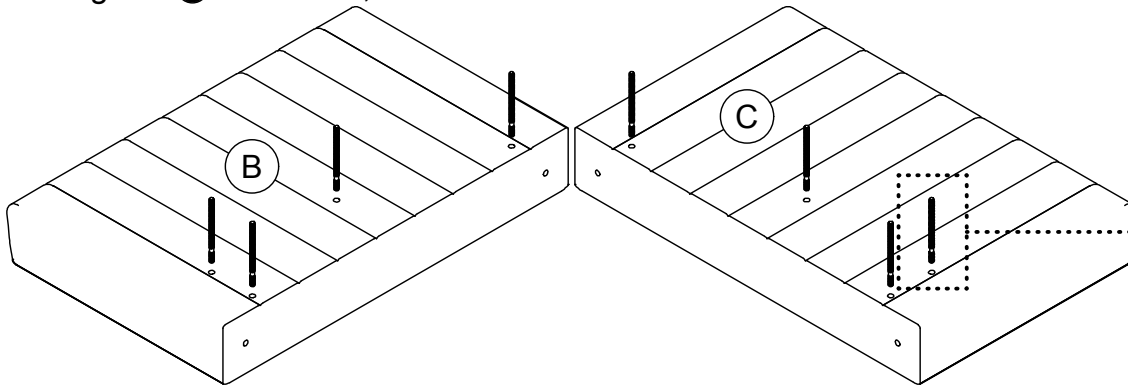
Wrench
X 1




Plastic Washer
X 4

STEP 1:

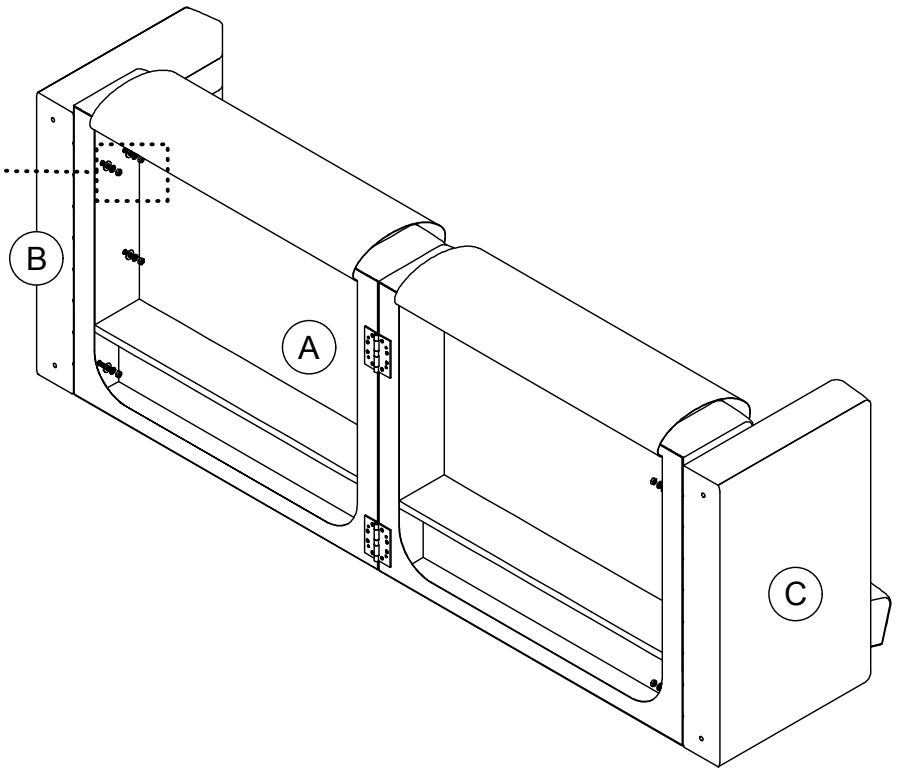
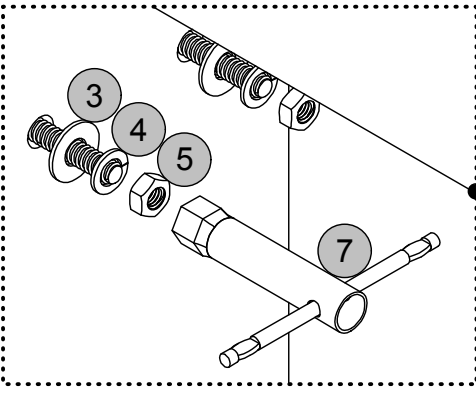
Hand tighten **1** into **B** & **C**, as shown.



Note: Only screw in the  shortest threaded part of the Stud.

STEP 2:

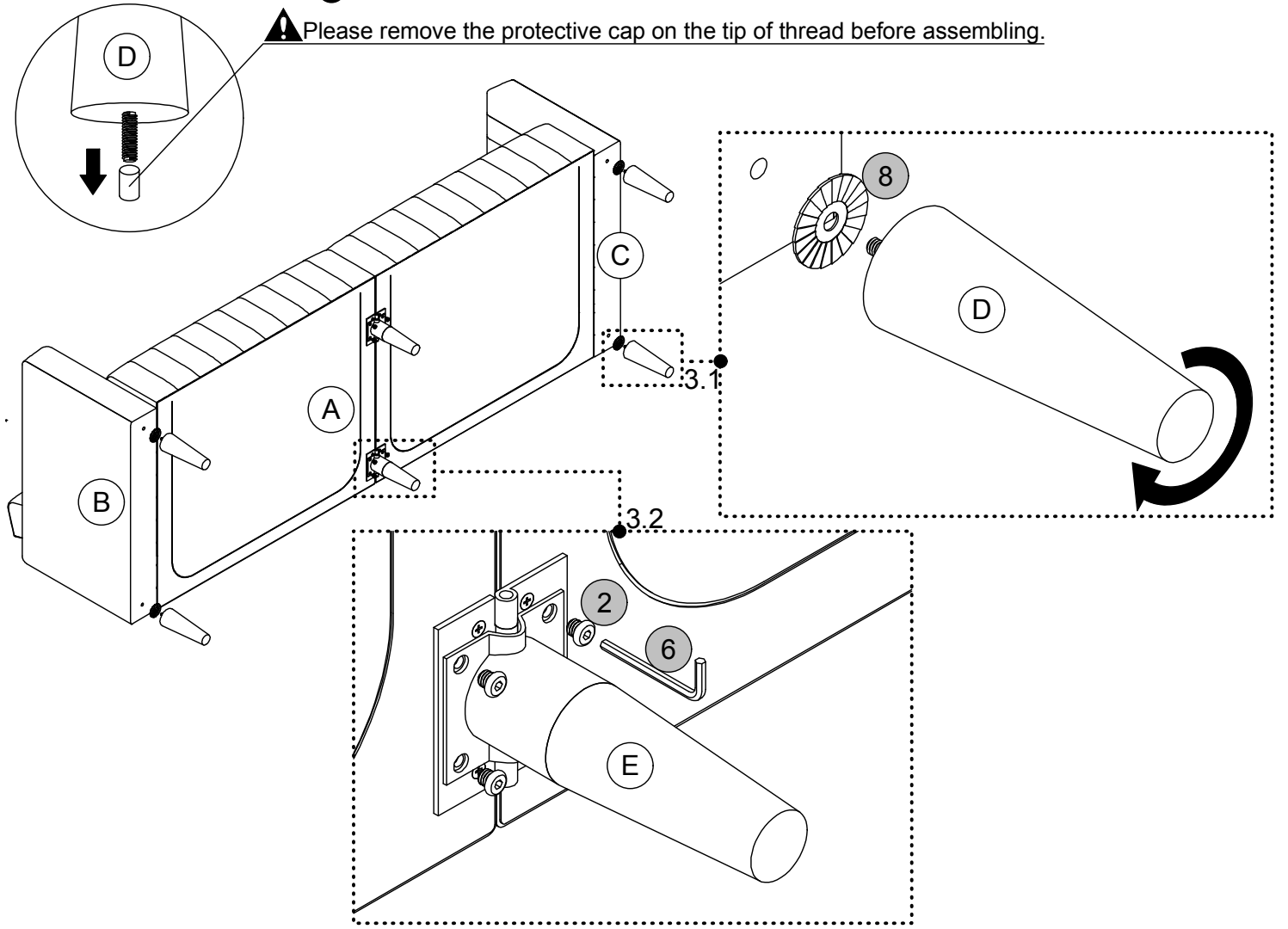
Attach **B** & **C** to **A** with **3**, **4**, **5**, as shown.



Step 3:

3.1 Manually screw **D** x 4 to **B** & **C** with **8**.

3.2 Attach **E** x 2 to **A** with **2**, as shown.



Helpful Hints

- Your futon can transform between a Sofa and a Bed.
- Move your new furniture carefully, with two people lifting and carrying the unit to its new location.
- Your furniture can be disassembled and reassembled to move.
- Clean the product with a soft damp cloth. DO NOT use harsh chemicals or abrasive cleaners.
- For further information please contact at sales4@jsanyee.com

