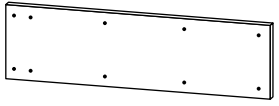
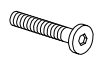
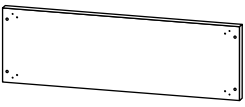


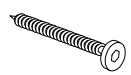
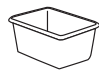
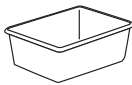
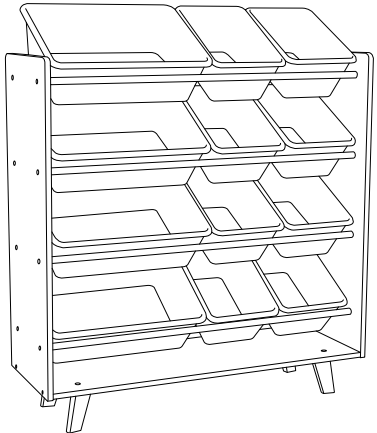


## **Cleaning**

Wipe with a damp cloth and mild soap. Dry with soft, lint free cloth.

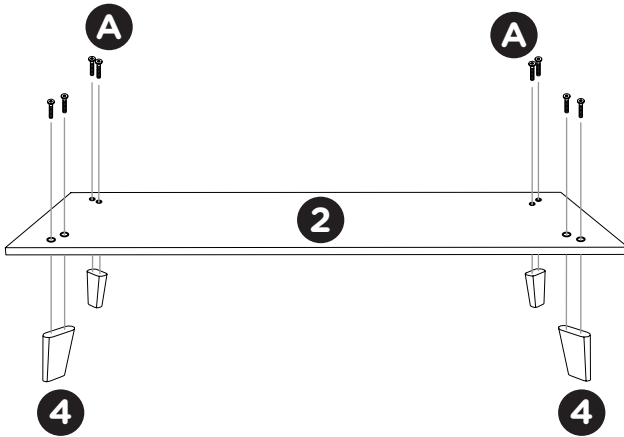
# ASSEMBLY INSTRUCTIONS

ITEM	PARTS	QTY	ITEM	HARDWARE	QTY
1		2 PCS	<b>A</b>		24 PC
2		1 PC			
3		8 PCS			
4		4 PCS	<b>B</b>		4 PC
5		8 PCS			
6		4 PCS			

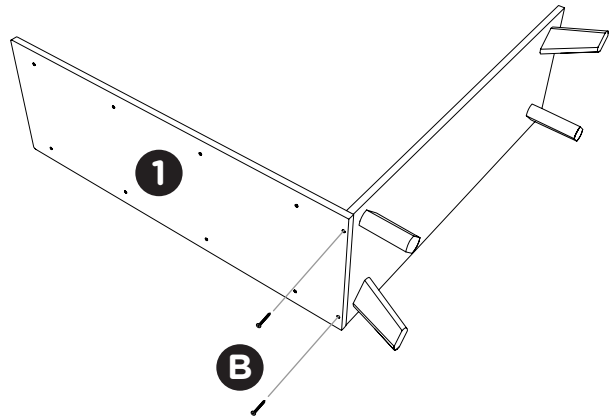


**FULLY SET-UP**

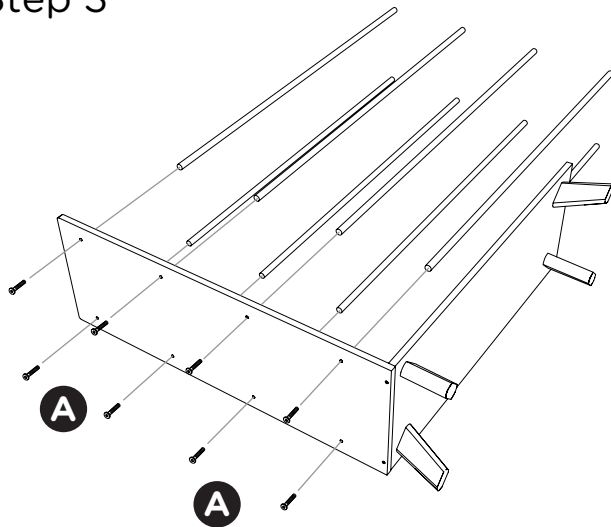
## Step 1



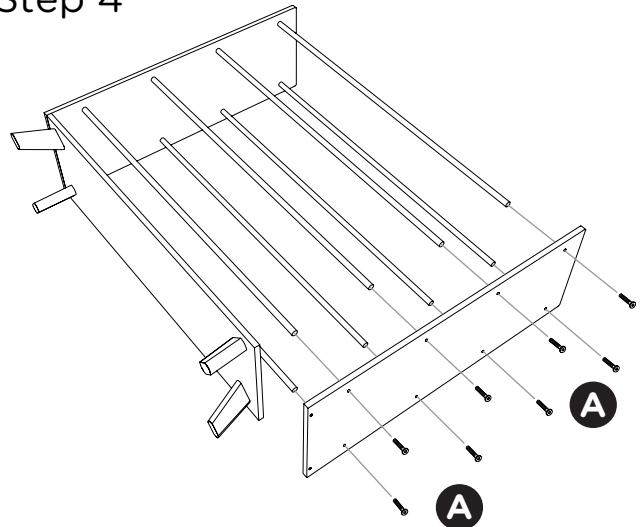
## Step 2



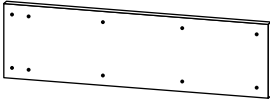
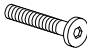
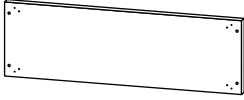



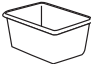
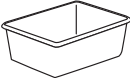
## Step 3

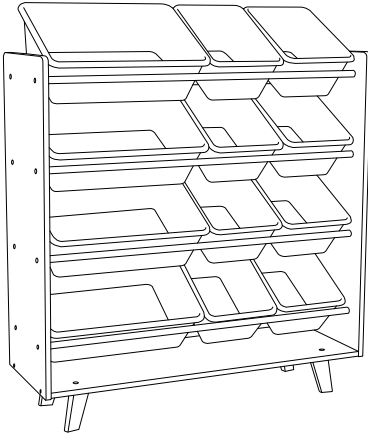


## Step 4



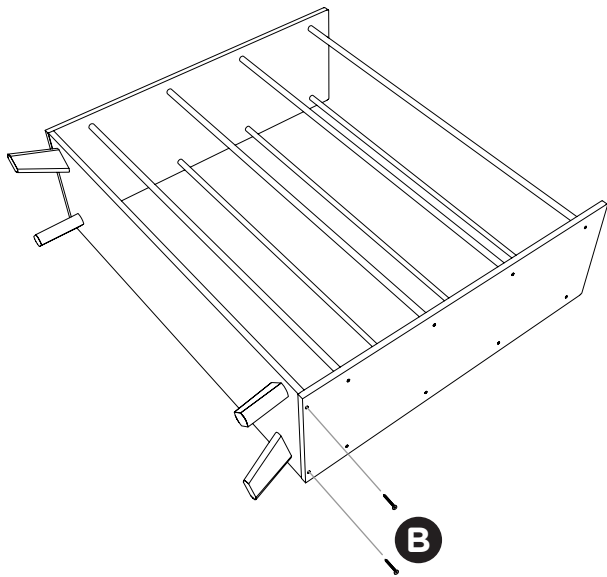
# ASSEMBLY INSTRUCTIONS

ITEM	PARTS	QTY	ITEM	HARDWARE	QTY
<b>1</b>		2 PCS	<b>A</b>		24 PC
<b>2</b>		1 PC			
<b>3</b>		8 PCS			
<b>4</b>		4 PCS	<b>B</b>		4 PC
<b>5</b>		8 PCS			
<b>6</b>		4 PCS			



**FULLY SET-UP**

## Step 5



## Step 6

