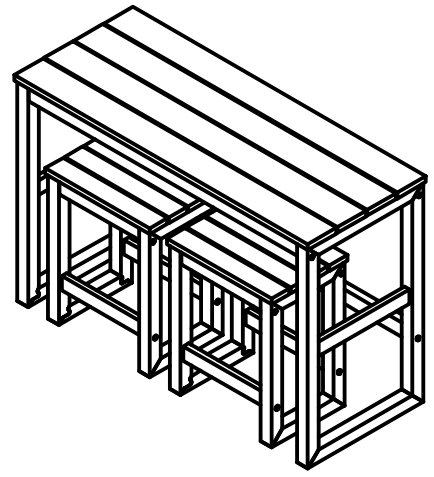


# Modern Balcony Set

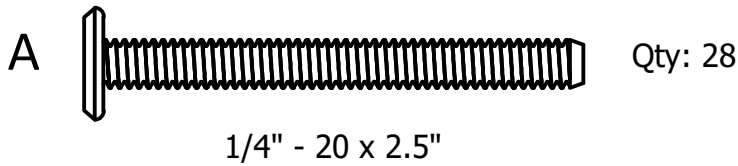
## Assembly Guide



\*Actual Style May Vary from the One Pictured in this Guide

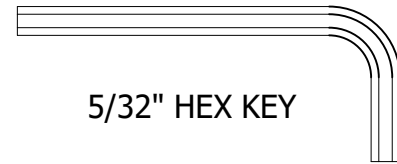
\*See Other Side For Table Assembly

### HARDWARE INCLUDED



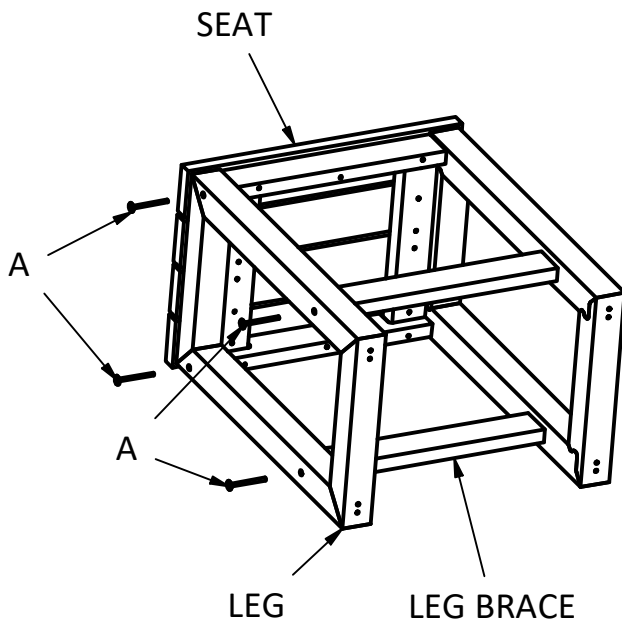
\*FOR COUNTER HEIGHT YOU WILL HAVE 2 EXTRA BOLTS

### TOOLS INCLUDED



### IMPORTANT!

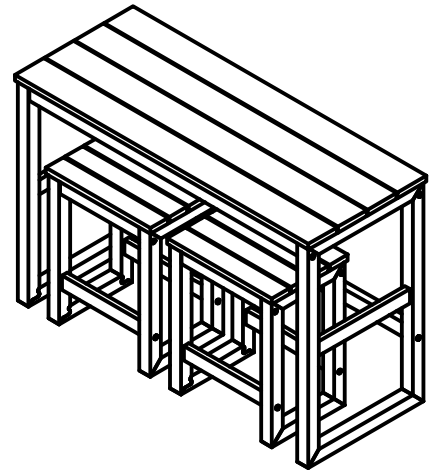
DO NOT fully tighten bolts until all bolts are started.



1.) Place the Seat onto its side and attach the Leg & Leg Braces with (4) A Bolts as shown. **Repeat this step on the other side.**

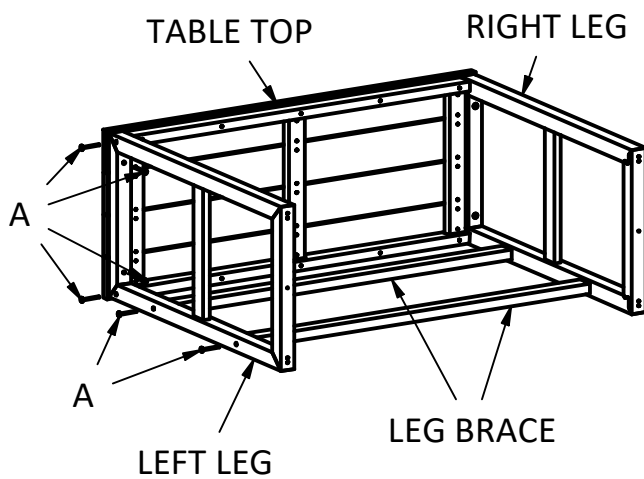
# Modern Balcony Set

## Assembly Guide



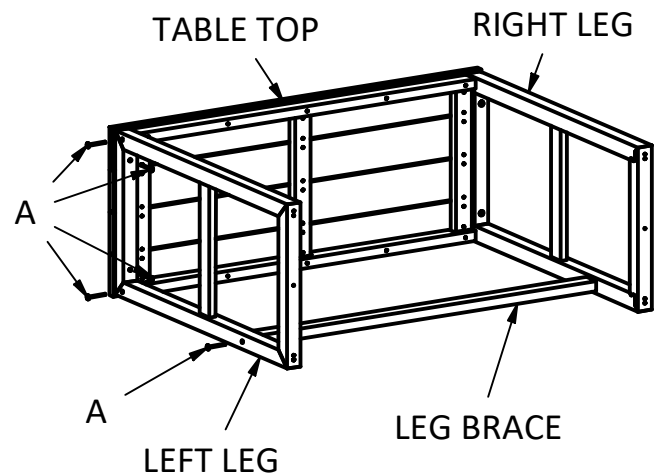
\*Actual Style May Vary from the One Pictured in this Guide

**\*See Other Side For Stool Assembly**



**1.)** Place the Table Top onto its side and attach Either the Left or Right Leg and both Leg Braces using (6) A bolts As shown. **REPEAT THIS STEP ON THE OTHER SIDE**

**(BAR HEIGHT)**



**1.)** Place the Table Top onto its side and attach Either the Left or Right Leg and Leg Brace using (5) A bolts As shown. **REPEAT THIS STEP ON THE OTHER SIDE**

**(COUNTER HEIGHT)**