



# Flushmount Lights

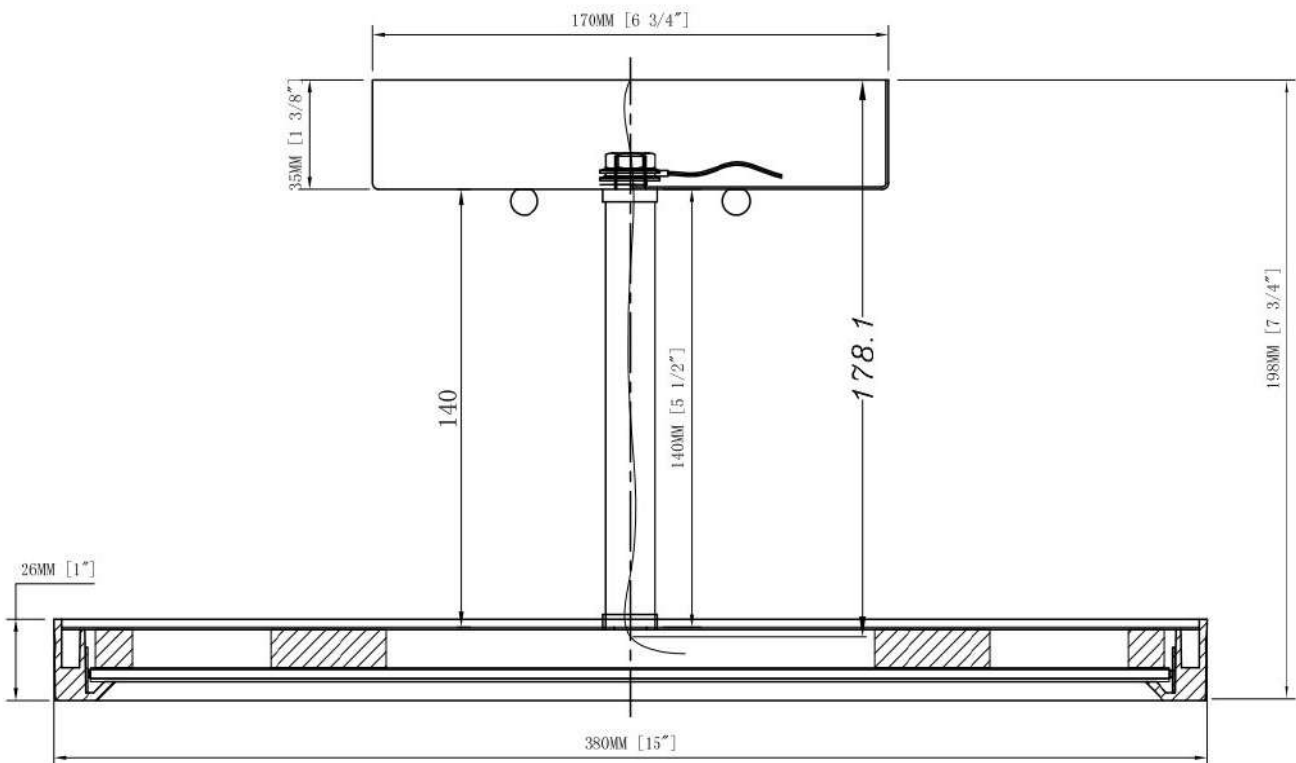


# LIGHT SPECIFICATIONS LED SEMI FLUSH MOUNT

## SPECIFICATIONS



•PRODUCT MODEL	
•WATTS	28W
•LUMENS	1950LM
•COLOR TEMPERATURE	3000K
•CRI	RA>80
•VOLTAGE	120V TRIAC DIMMABLE
•IP RATED	ETL DAMP LOCATION
•OPERATING TEMPRATURE	-20~45°C
•MATERIAL	ALUMINUM+ACRYLIC
•FINISH	MATTE BLACK
•MOUNTING	PENDANT
•SHADE SHAPE	ROUND
•SHADE MATERIAL	ACRYLIC
•SHADE COLOR	WHITE
•WARRANTY	5-YEAR LIMITED
•FIXTURE SIZE	D15"XH7-3/4"
•CASE QUANTITY	1 PACK
•MASTER CARTON SIZE	42x11x42.5CM
•NET WEIGHT	1.88KG
•GROSS WEIGHT	2.36KG

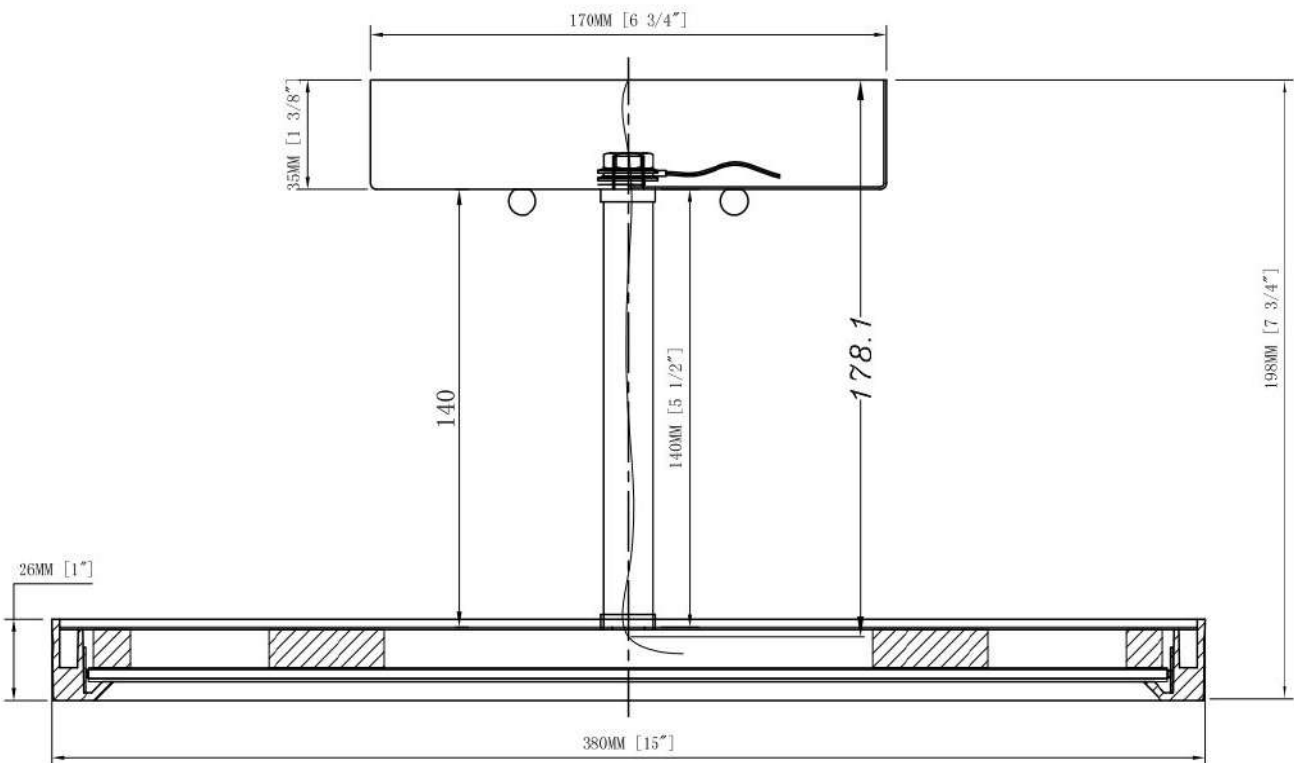


# LIGHT SPECIFICATIONS LED SEMI FLUSH MOUNT

## SPECIFICATIONS



•PRODUCT MODEL	
•WATTS	28W
•LUMENS	1950LM
•COLOR TEMPERATURE	4000K
•CRI	RA>80
•VOLTAGE	120V TRIAC DIMMABLE
•IP RATED	ETL DAMP LOCATION
•OPERATING TEMPRATURE	-20~45°C
•MATERIAL	ALUMINUM+ACRYLIC
•FINISH	MATTE BLACK
•MOUNTING	PENDANT
•SHADE SHAPE	ROUND
•SHADE MATERIAL	ACRYLIC
•SHADE COLOR	WHITE
•WARRANTY	5-YEAR LIMITED
•FIXTURE SIZE	D15"XH7-3/4"
•CASE QUANTITY	1 PACK
•MASTER CARTON SIZE	42x11x42.5CM
•NET WEIGHT	1.88KG
•GROSS WEIGHT	2.36KG



# LIGHT SPECIFICATIONS LED SEMI FLUSH MOUNT

## SPECIFICATIONS



•PRODUCT MODEL	
•WATTS	28W
•LUMENS	1950LM
•COLOR TEMPERATURE	5000K
•CRI	RA>80
•VOLTAGE	120V TRIAC DIMMABLE
•IP RATED	ETL DAMP LOCATION
•OPERATING TEMPRATURE	-20~45°C
•MATERIAL	ALUMINUM+ACRYLIC
•FINISH	MATTE BLACK
•MOUNTING	PENDANT
•SHADE SHAPE	ROUND
•SHADE MATERIAL	ACRYLIC
•SHADE COLOR	WHITE
•WARRANTY	5-YEAR LIMITED
•FIXTURE SIZE	D15"XH7-3/4"
•CASE QUANTITY	1 PACK
•MASTER CARTON SIZE	42x11x42.5CM
•NET WEIGHT	1.88KG
•GROSS WEIGHT	2.36KG

