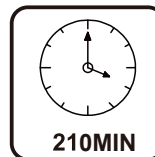
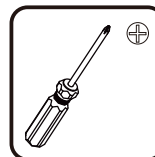
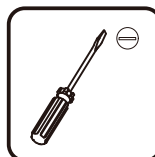
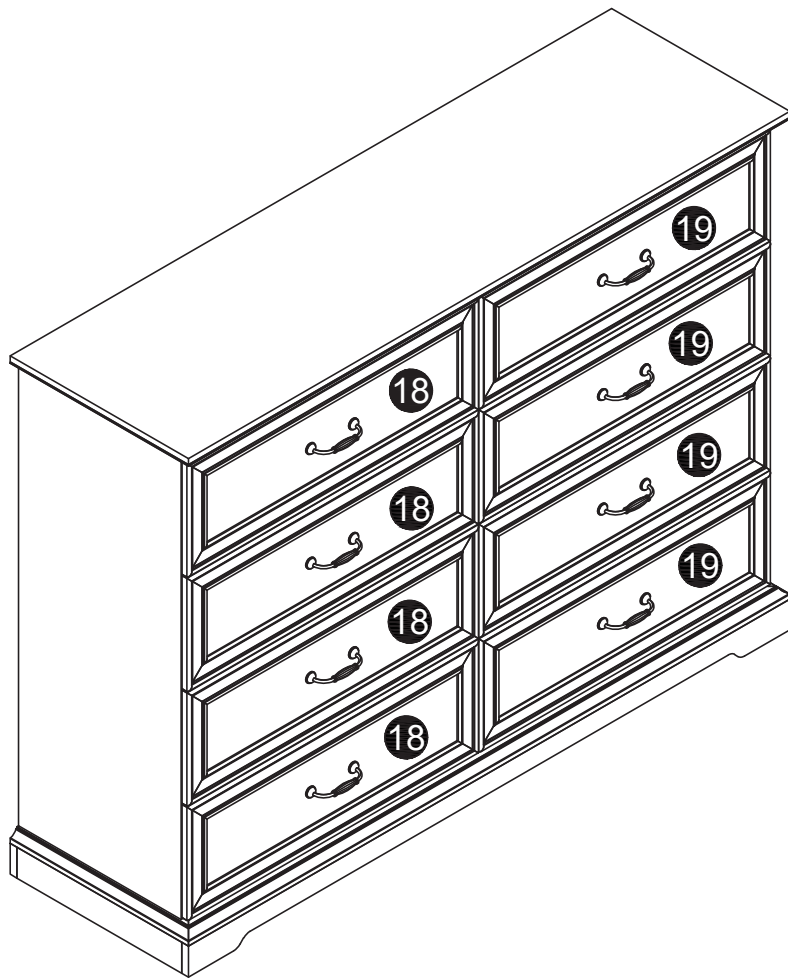
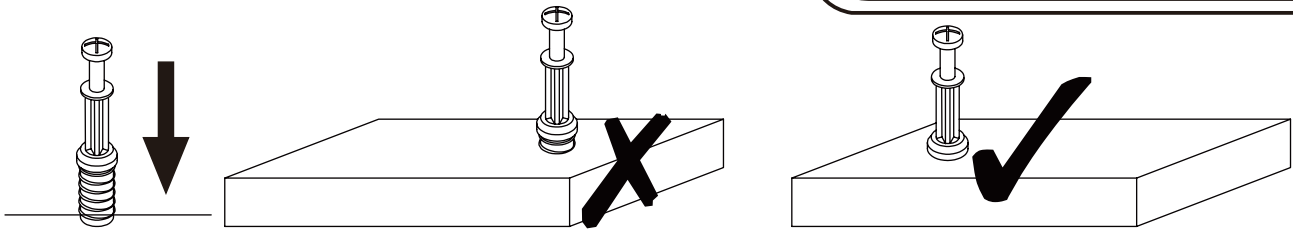


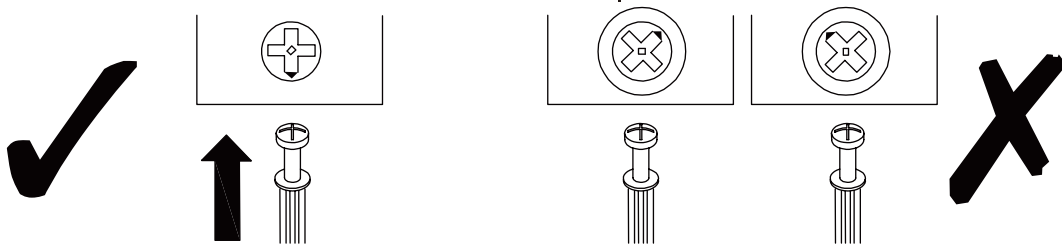
# Installation & Assembly



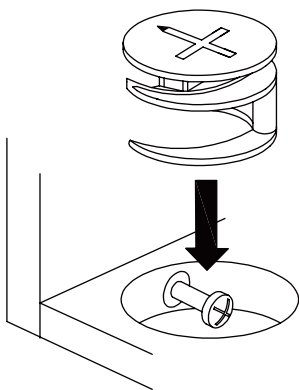
**EN\_IMPORTANT, RETAIN FOR FUTURE REFERENCE: READ CAREFULLY.**



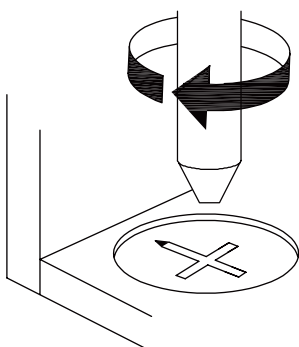
**EN\_QUICKFIT:** Tighten quickfit until shoulder is flush with panel. Do not overtighten or undertighten.



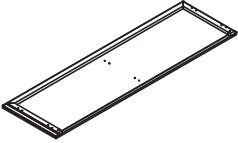
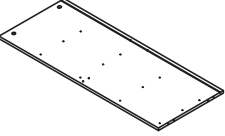
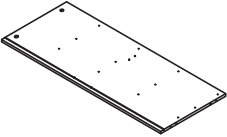
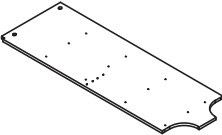

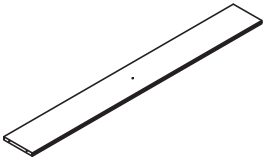
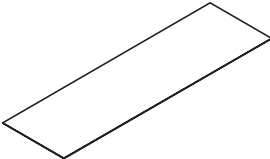
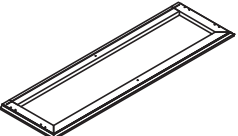
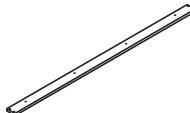
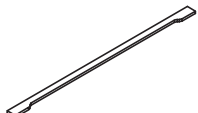
**EN\_CAM LOCK:** When fitting cam lock, ensure starting position is correct before you insert connecting quickfit.

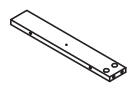
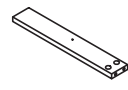
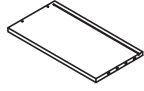
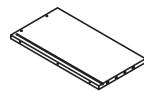
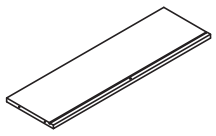
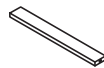
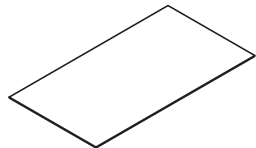
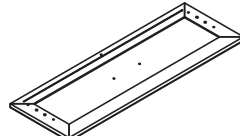
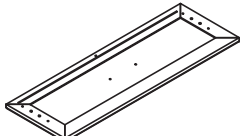



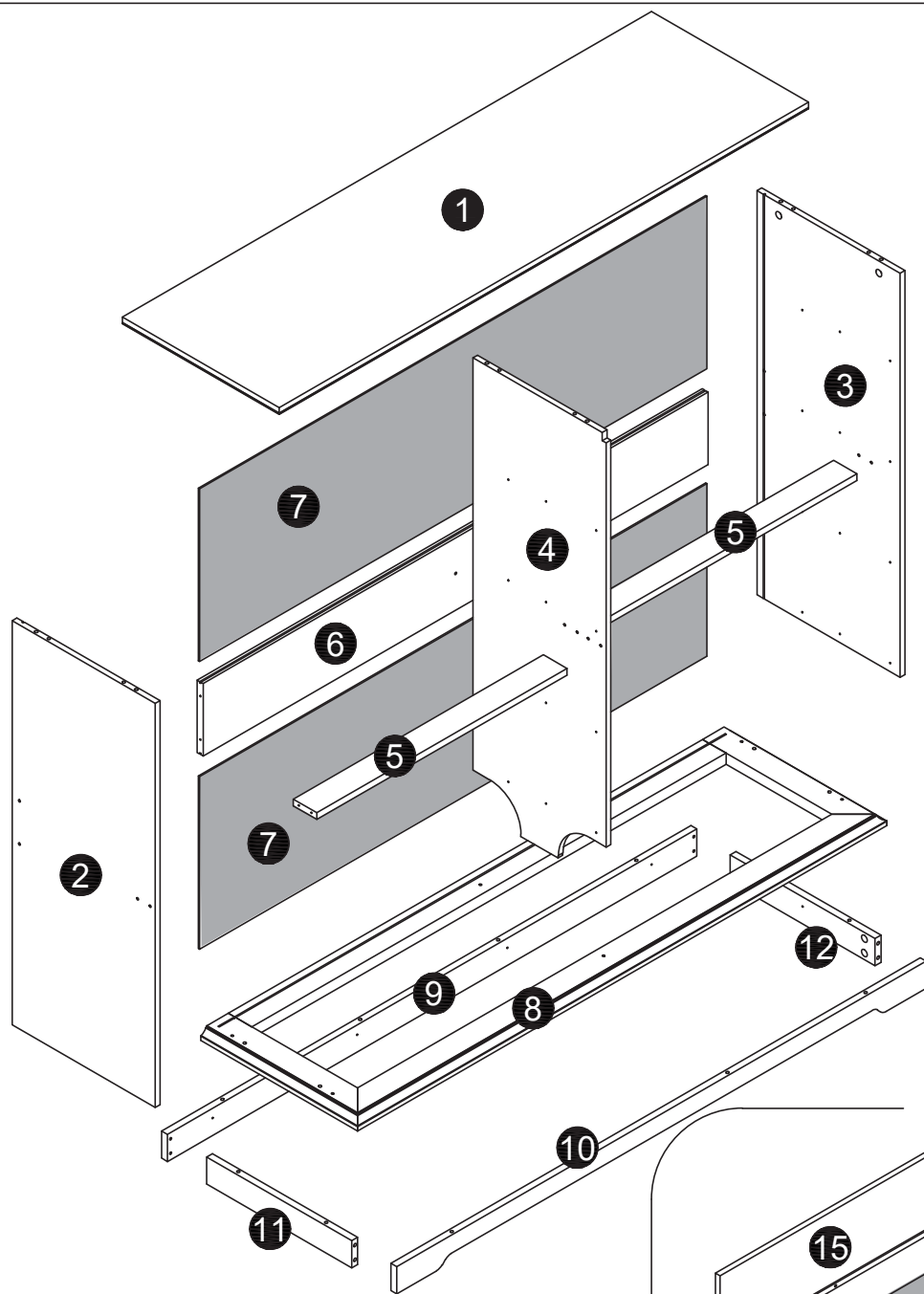
**EN\_Quickfit** head should be in the centre of the cam lock when the two panels are joined.  
Cam lock should be inserted before quickfit.



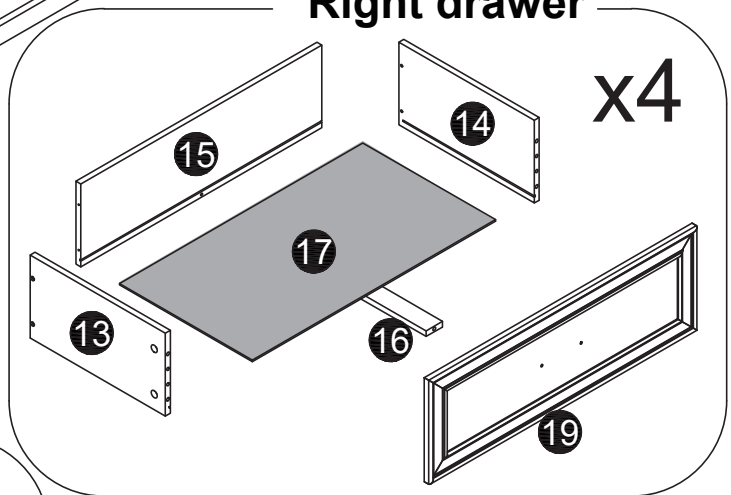
**EN\_Turn** cam lock clockwise to tighten.

NO.	PARTS	QTY	SPARE
1		x1	
2		x1	
3		x1	
4		x1	
5		x2	
6		x1	
7		x2	
8		x1	
9		x1	
10		x1	

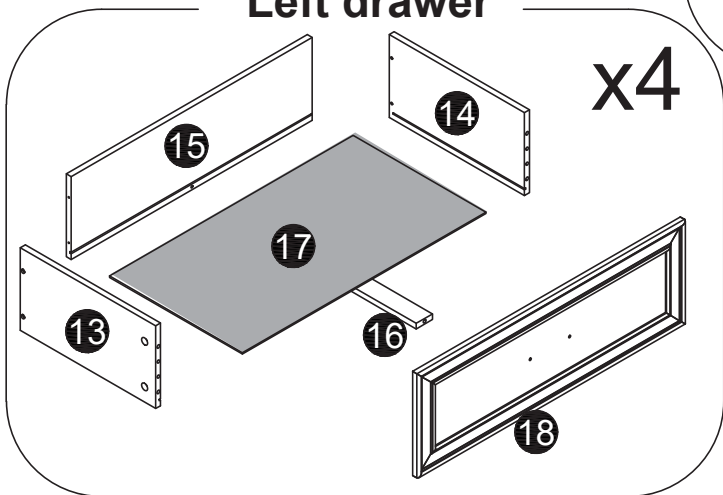
NO.	PARTS	QTY	SPARE
11		x1	
12		x1	
13		x8	
14		x8	
15		x8	
16		x8	
17		x8	
18		x4	
19		x4	
	 Hardware Kit	x1	

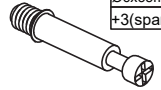



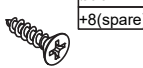


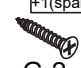




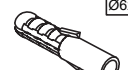
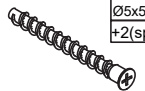
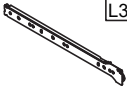
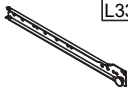

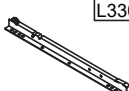


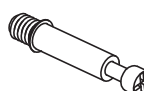


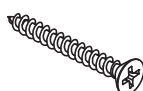
Right drawer



Left drawer

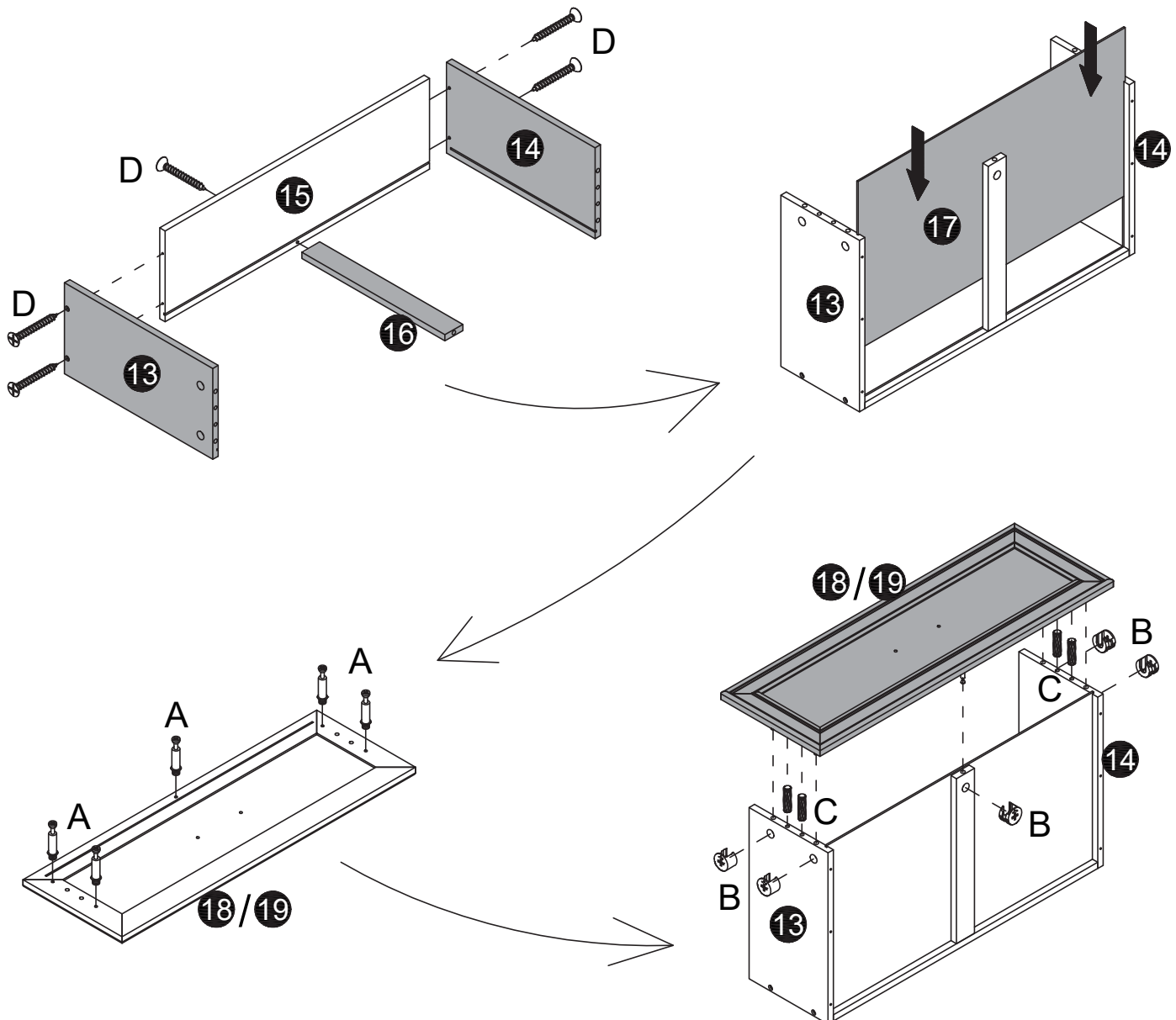


 <p><b>A</b> x50 Ø6x35mm +3(spare)</p>	 <p><b>B</b> x50 Ø15x10mm +3(spare)</p>	 <p><b>C</b> x54 Ø6x30mm +5(spare)</p>	 <p><b>D</b> x42 Ø4x35mm +4(spare)</p>	 <p><b>E</b> x116 Ø3.5x12mm +8(spare)</p>	 <p><b>F</b> x8</p>
 <p><b>G-1</b></p>  <p><b>G-2</b> Ø3x16mm +1(spare)</p>	 <p><b>H</b> x10</p>	 <p><b>I</b> x8 Ø15mm +3(spare)</p>	 <p><b>J</b> x2 Ø4x14mm</p>	 <p><b>K</b> x2</p>	 <p><b>L</b> x2 Ø6x30mm</p>
 <p><b>M</b> x23 Ø5x50mm +2(spare)</p>	 <p><b>CL</b> x8 L330mm</p>	 <p><b>CR</b> x8 L330mm</p>	 <p><b>DL</b> x8 L330mm</p>	 <p><b>DR</b> x8 L330mm</p>	

 <p><b>A</b> x40</p>	 <p><b>B</b> x40</p>	 <p><b>C</b> x32</p>	 <p><b>D</b> x40</p>
---	---	---	---

**01**

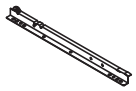
**x8**



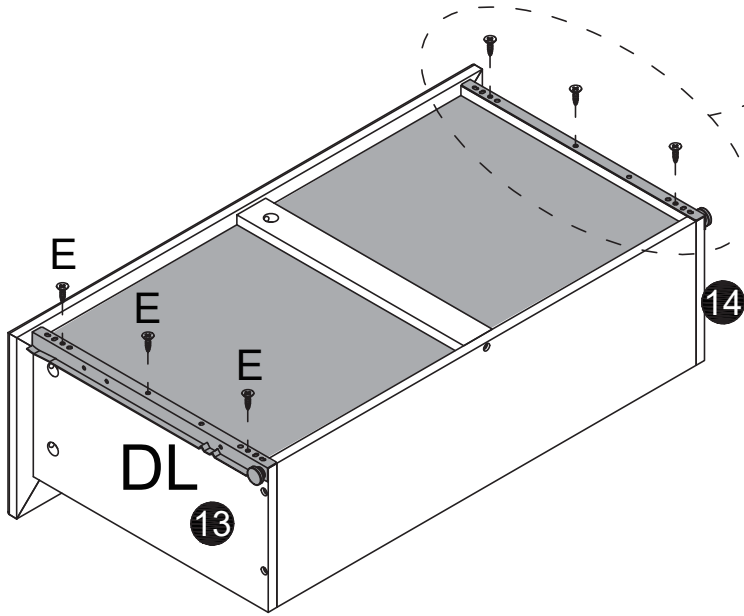
E x48

DL x8

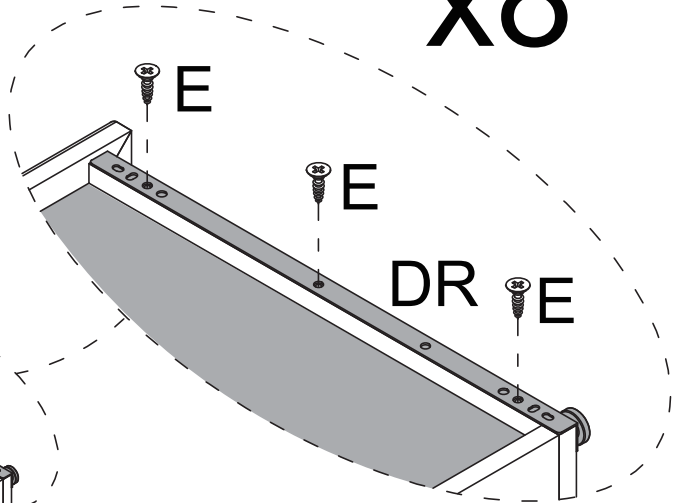
DR x8



x8



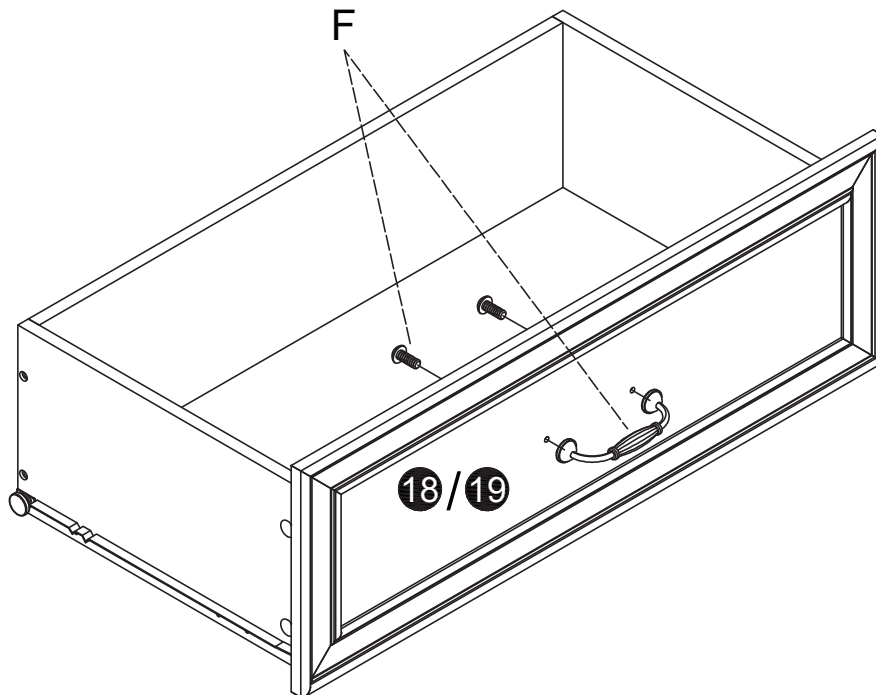
14



F x8

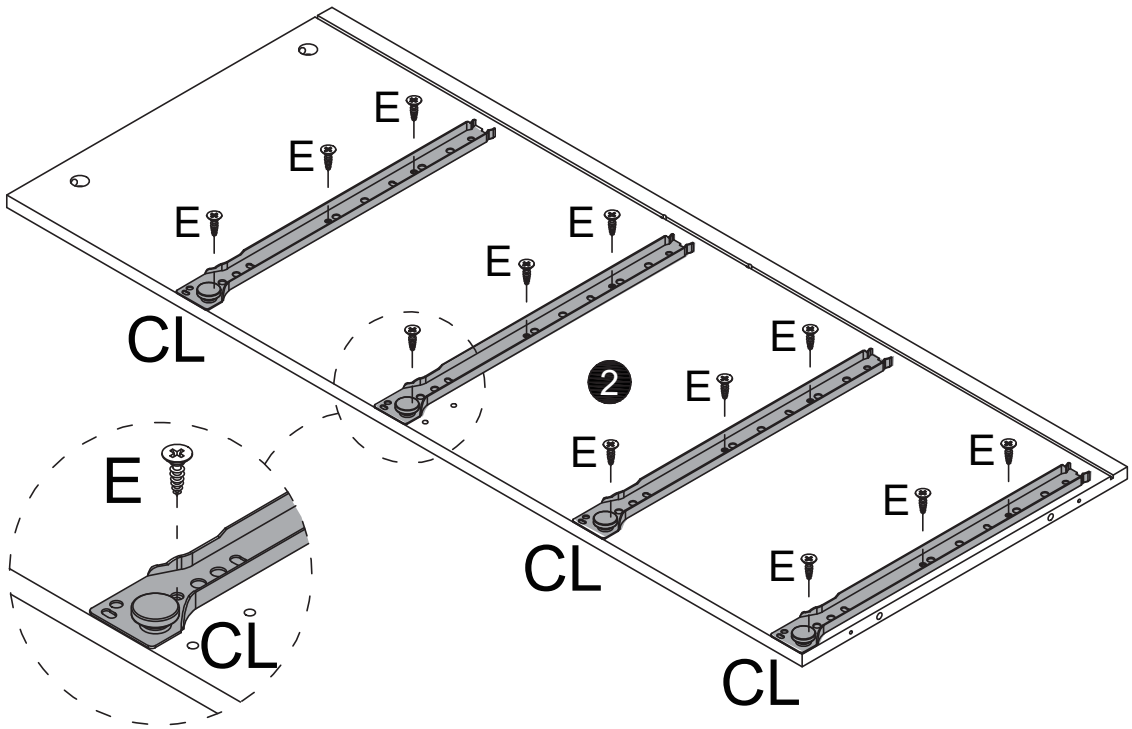
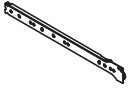


x8



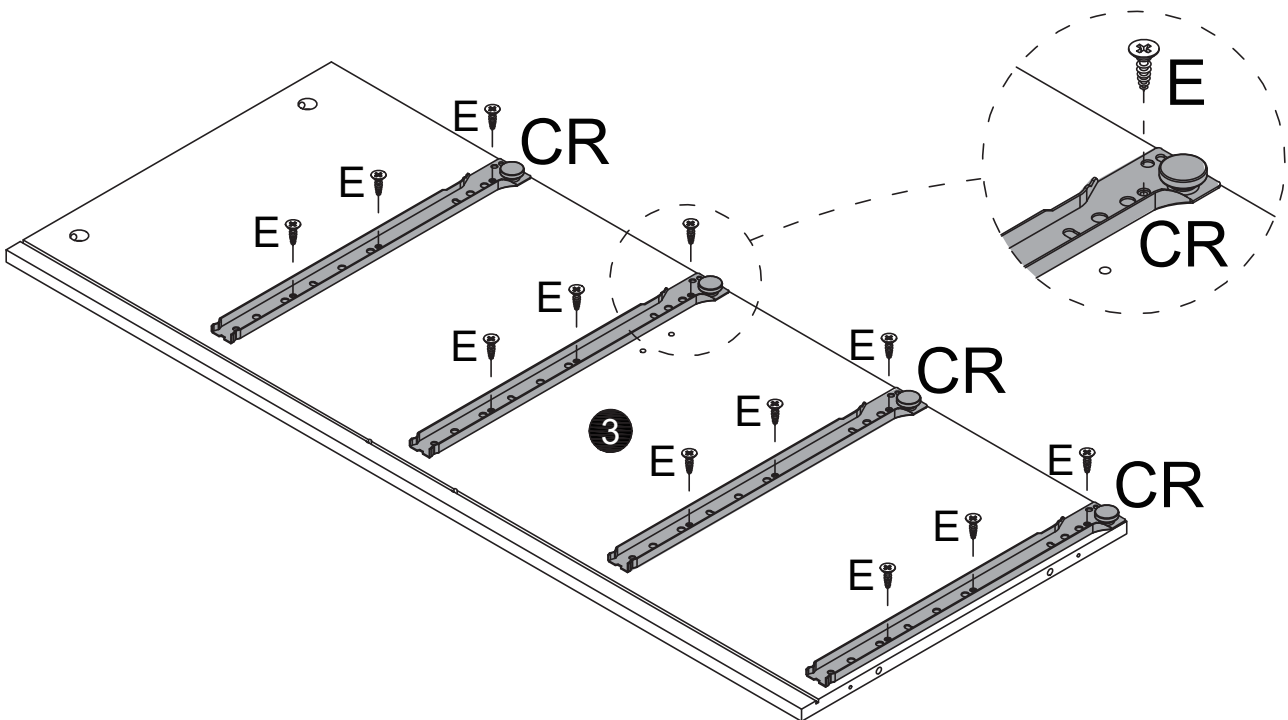
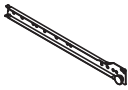
E x12

CL x4



E x12

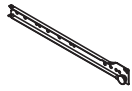
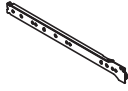
CR x4



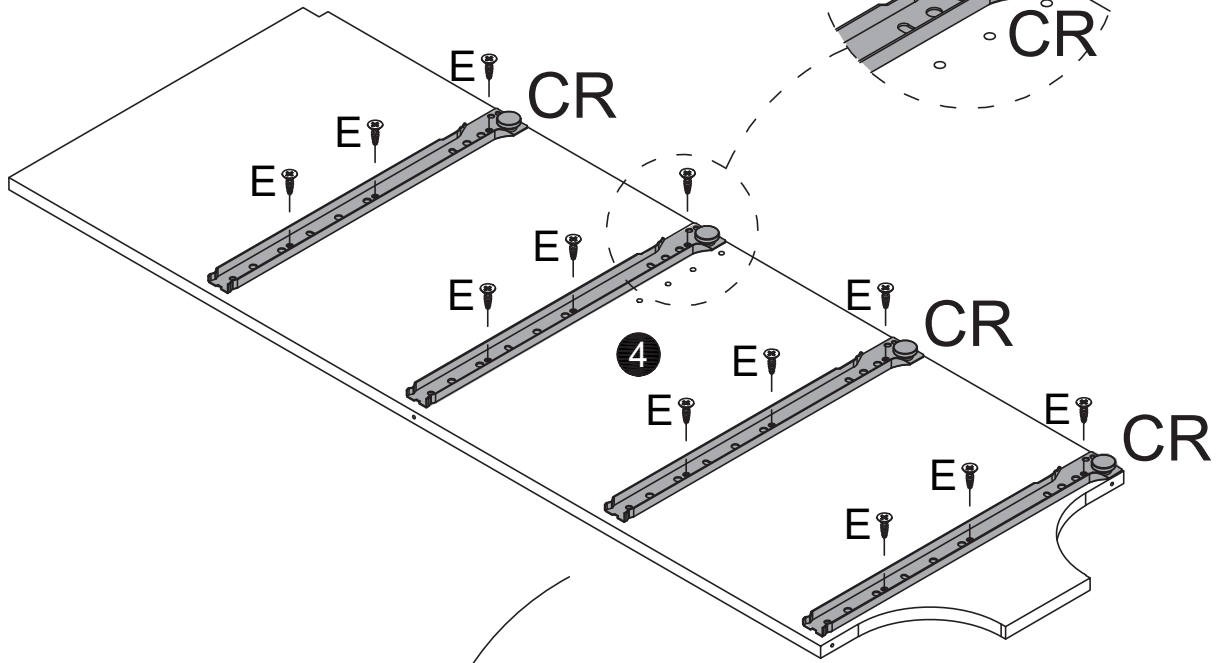
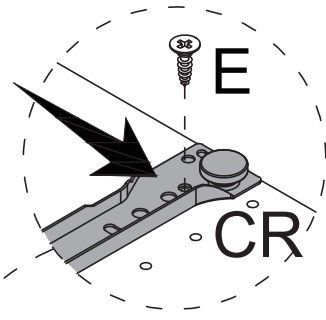
E x24

CL x4

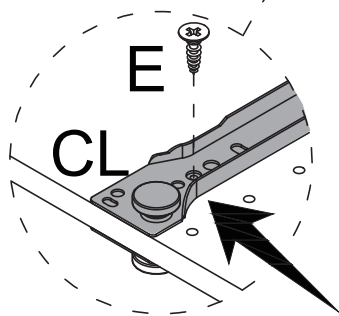
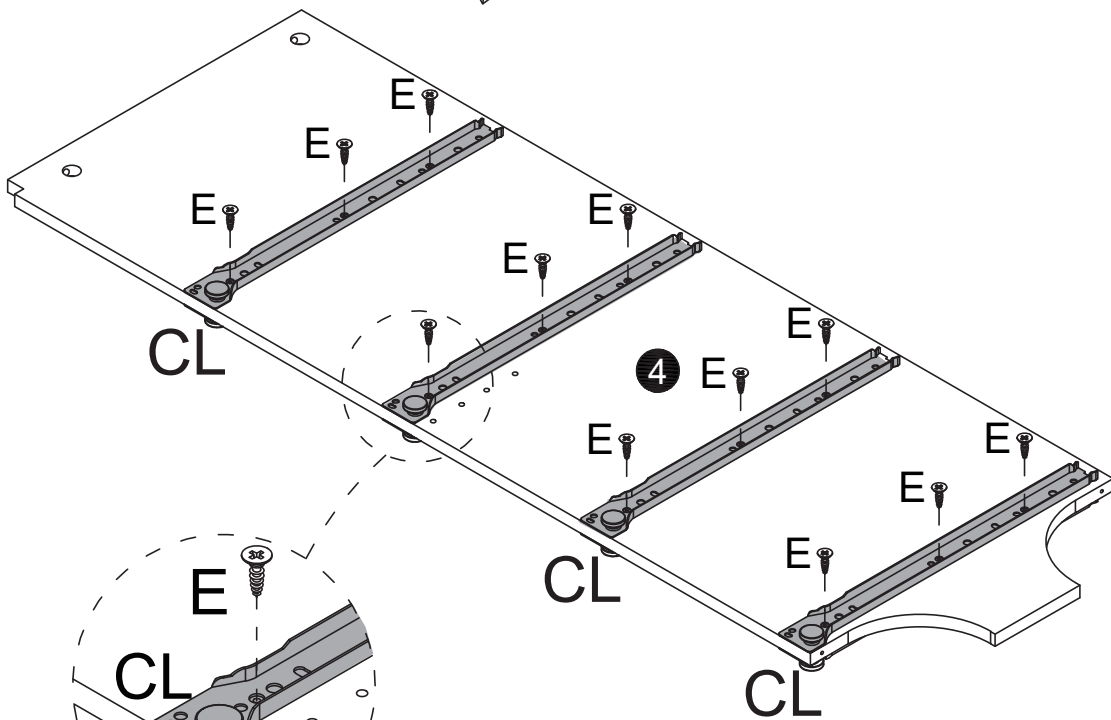
CR x4



First hole

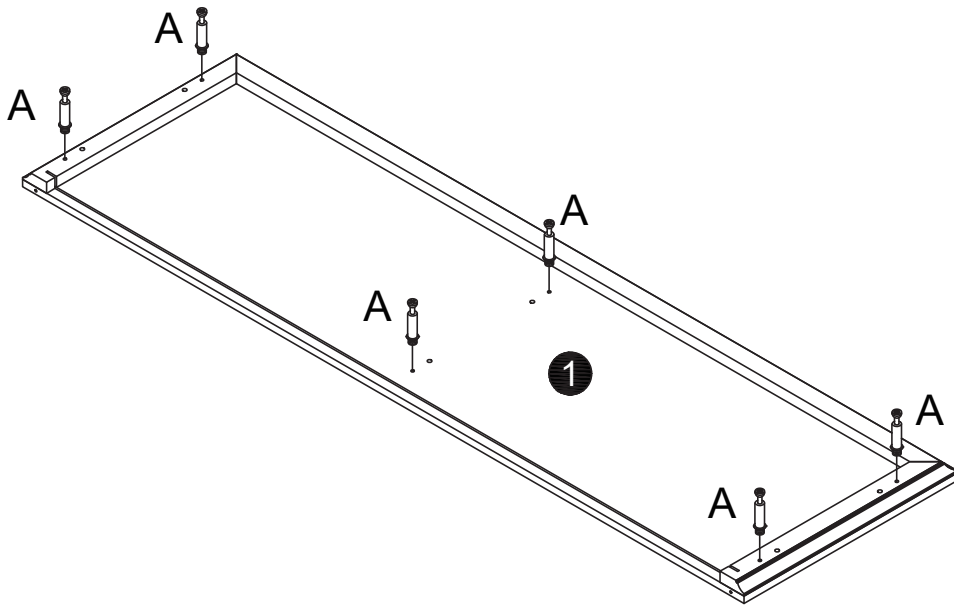
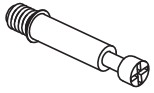


180°



Second hole

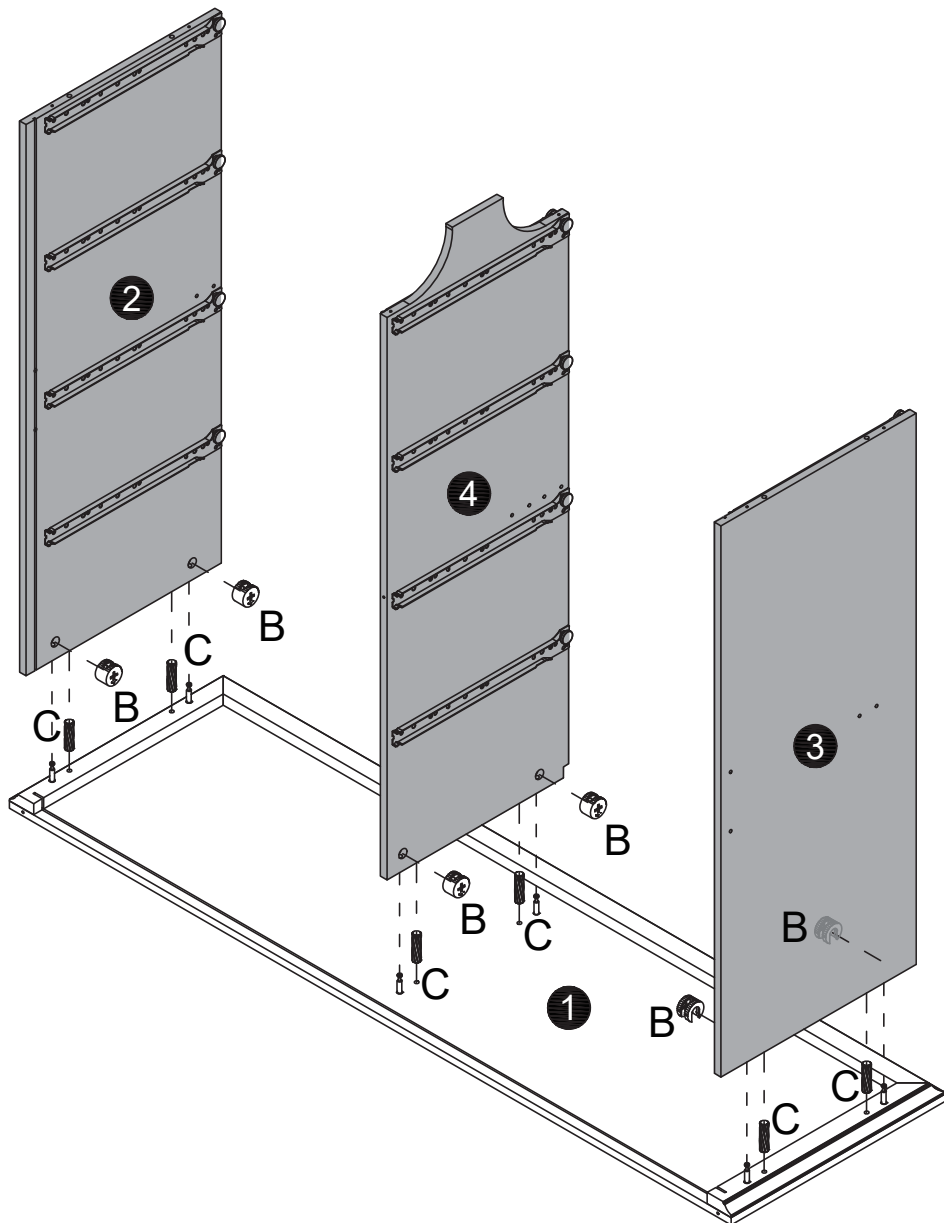
A x6

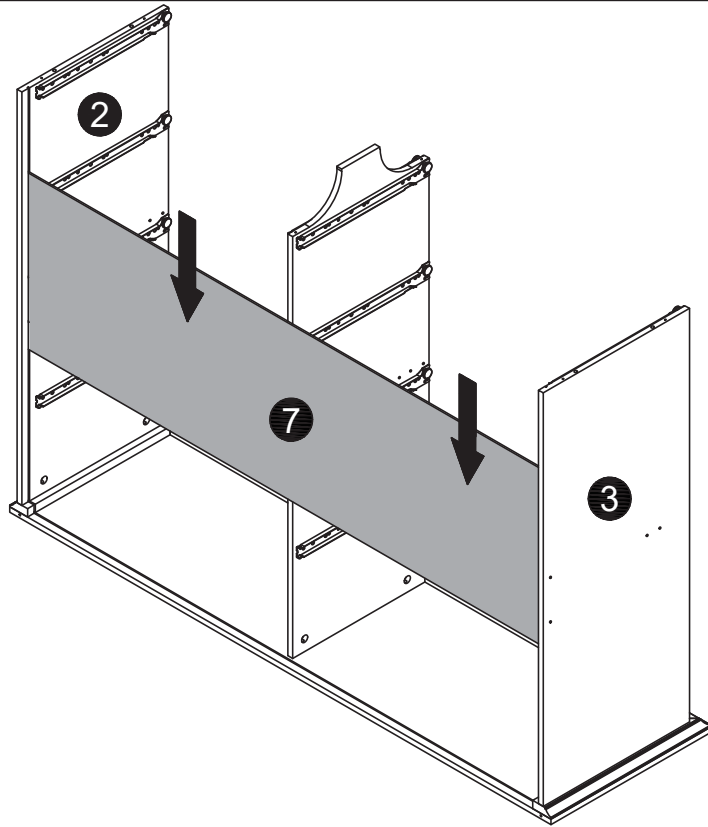


B x6

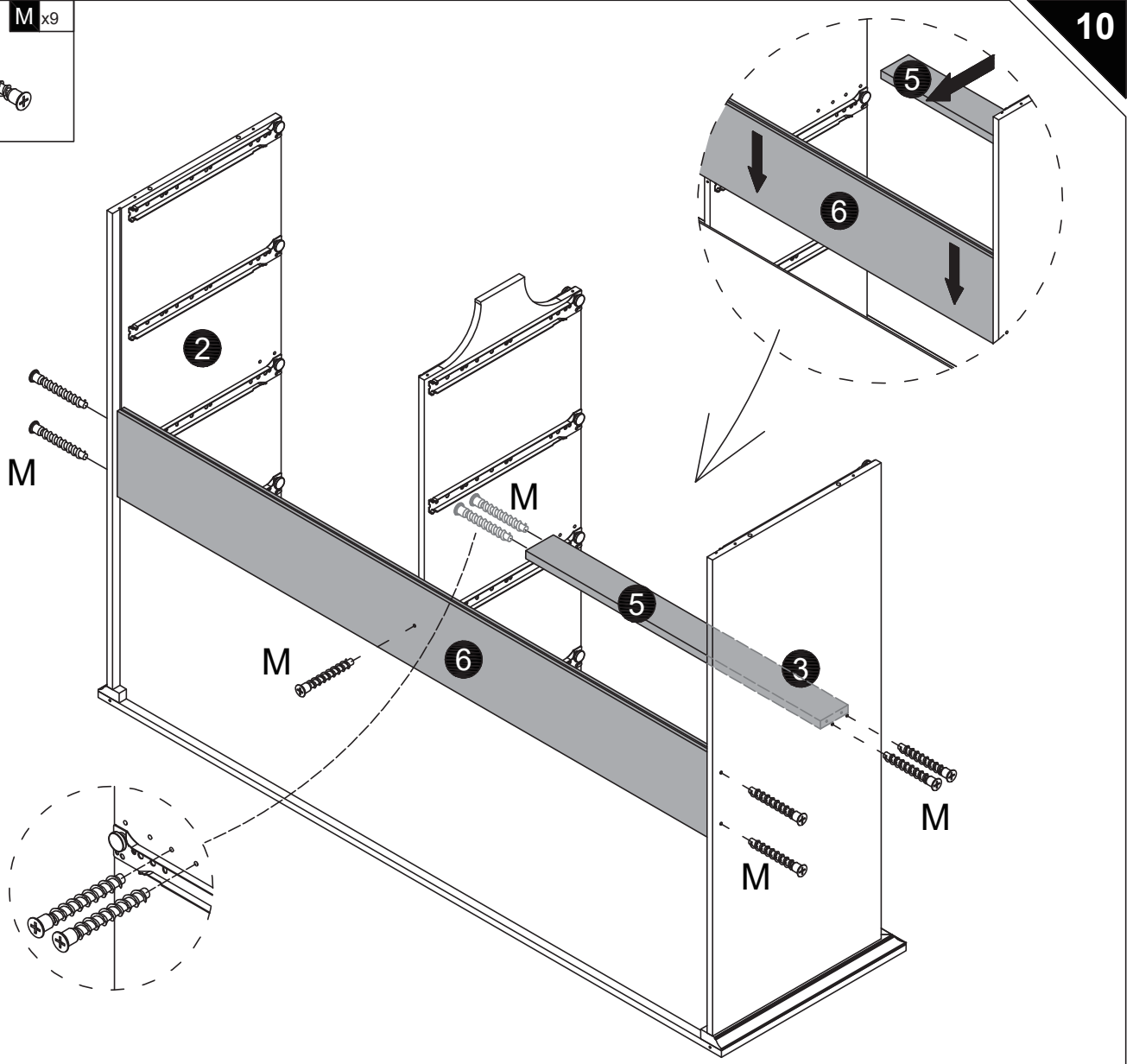
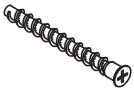


C x6

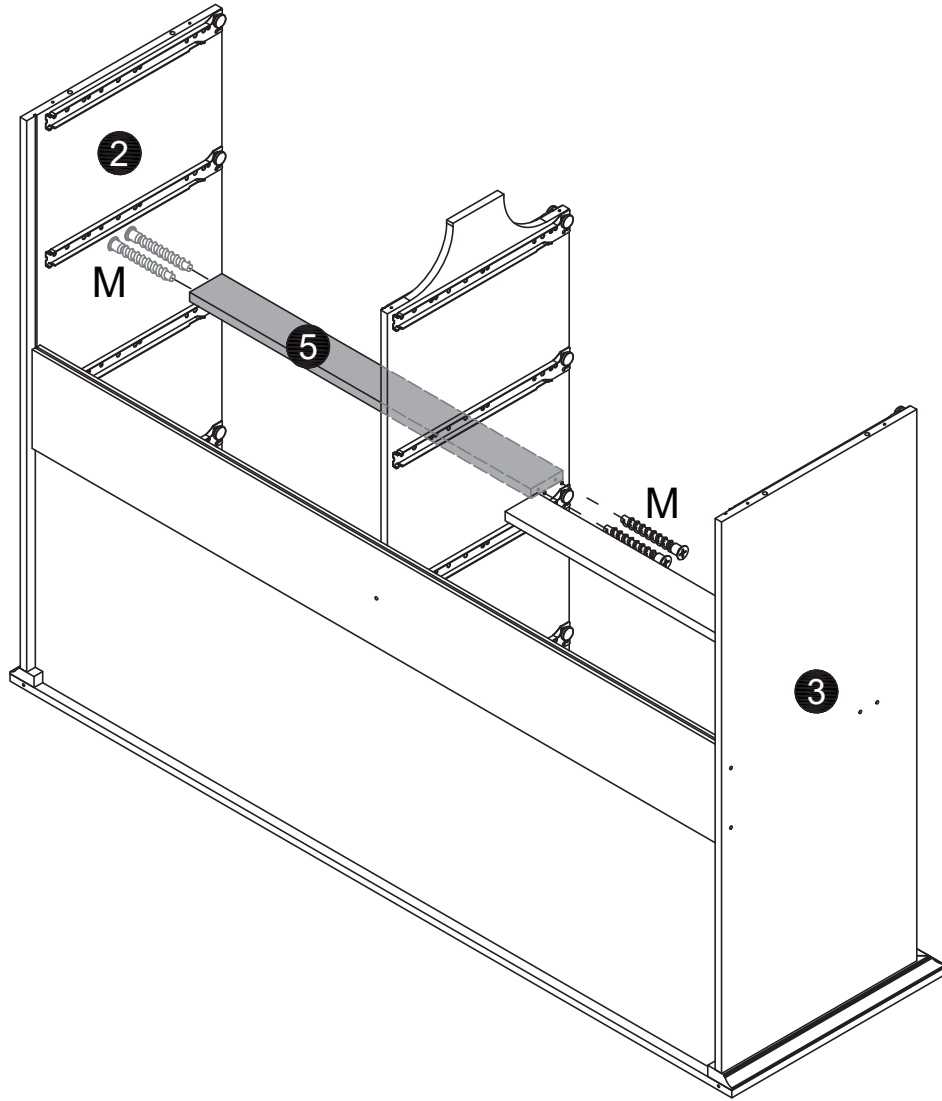




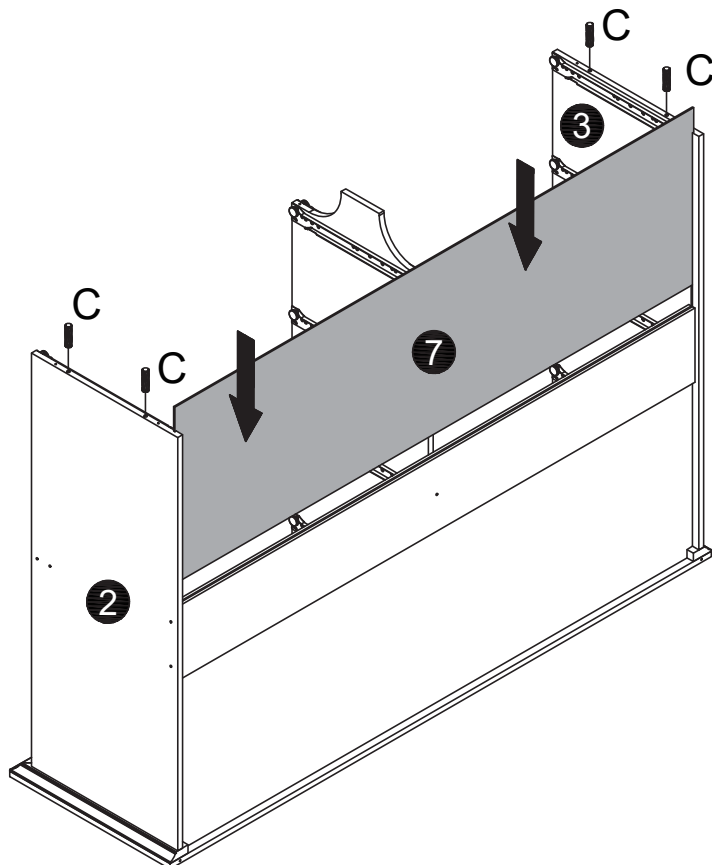
M x9



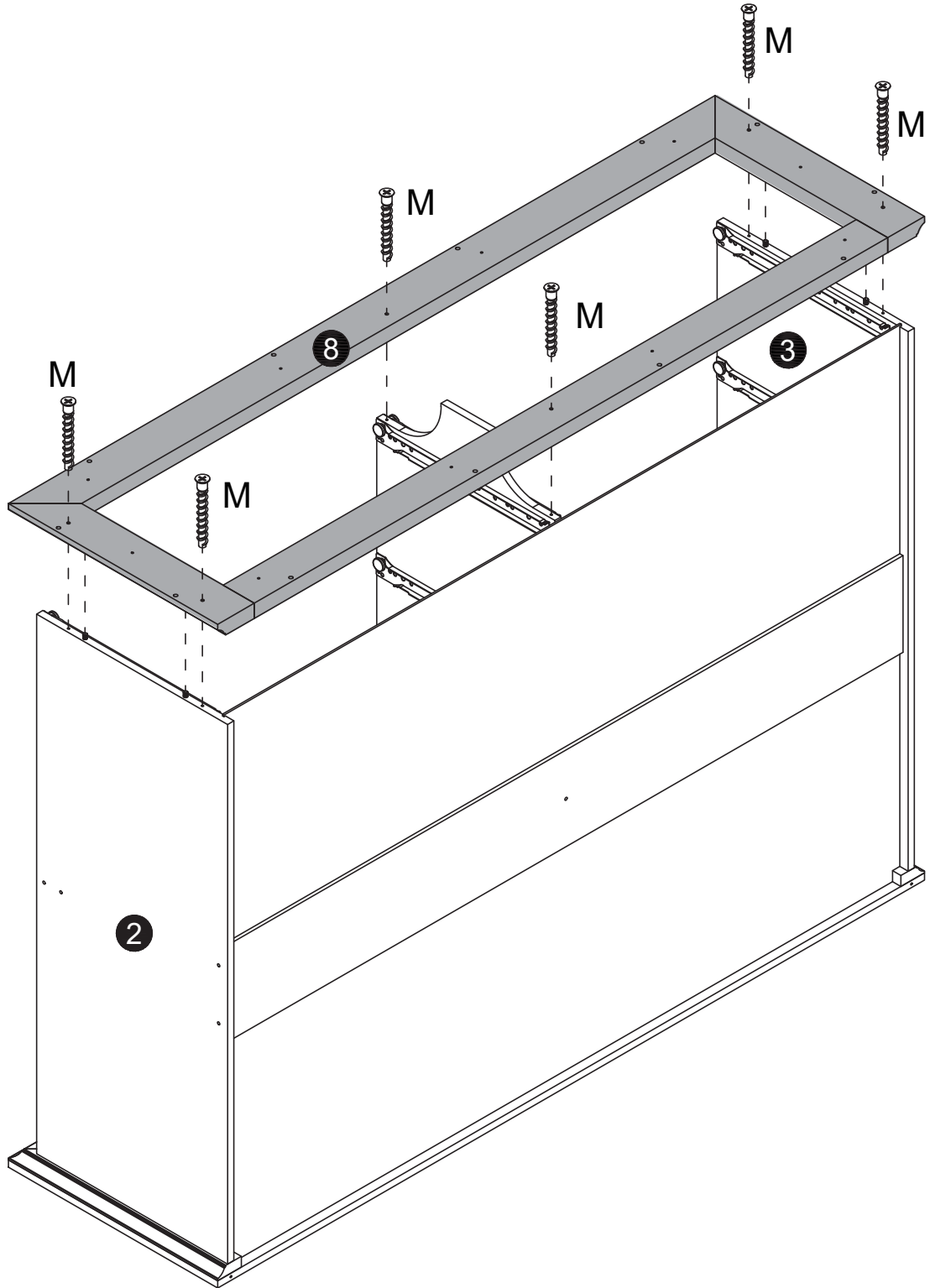
M x4



C x4



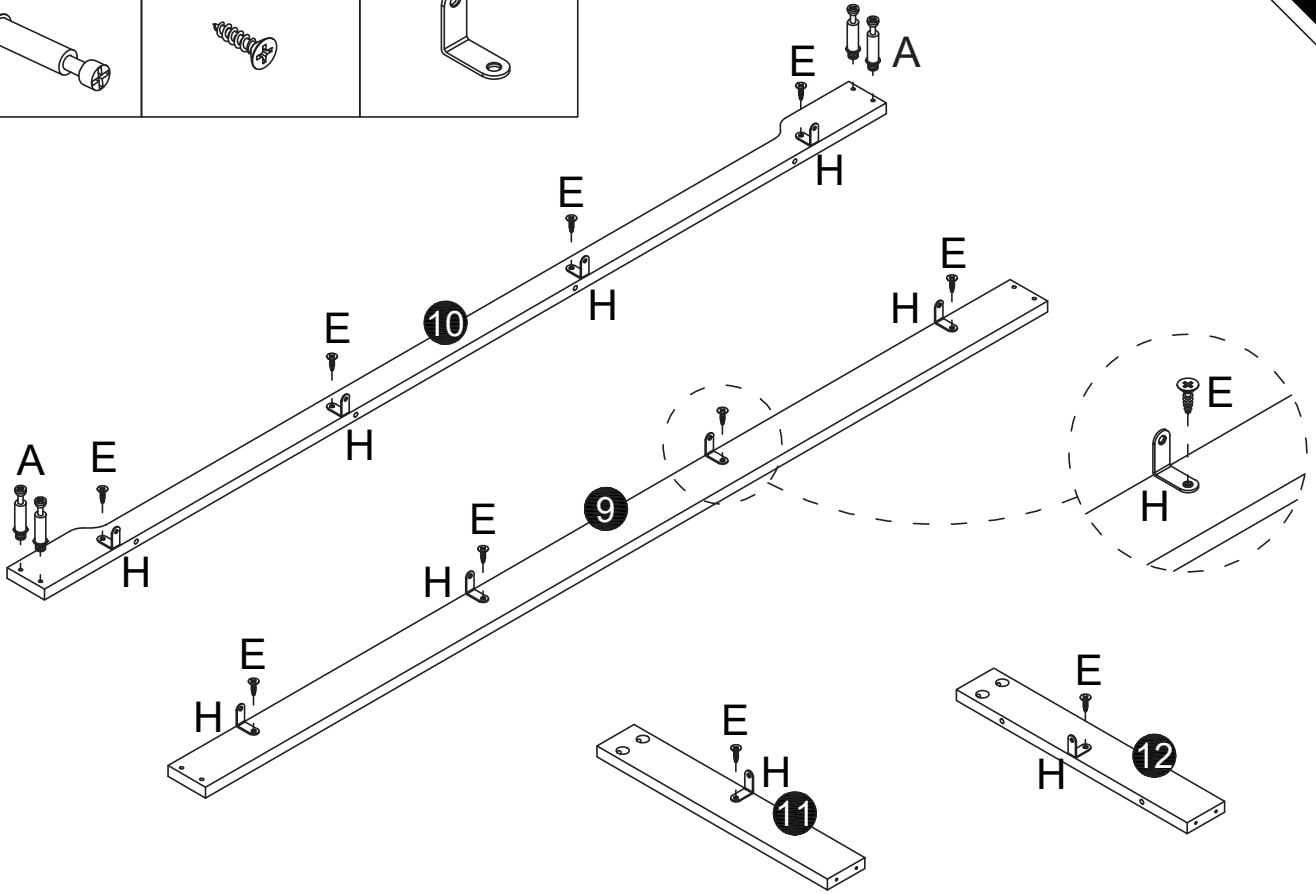
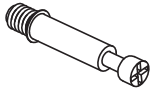
M x6



A x4

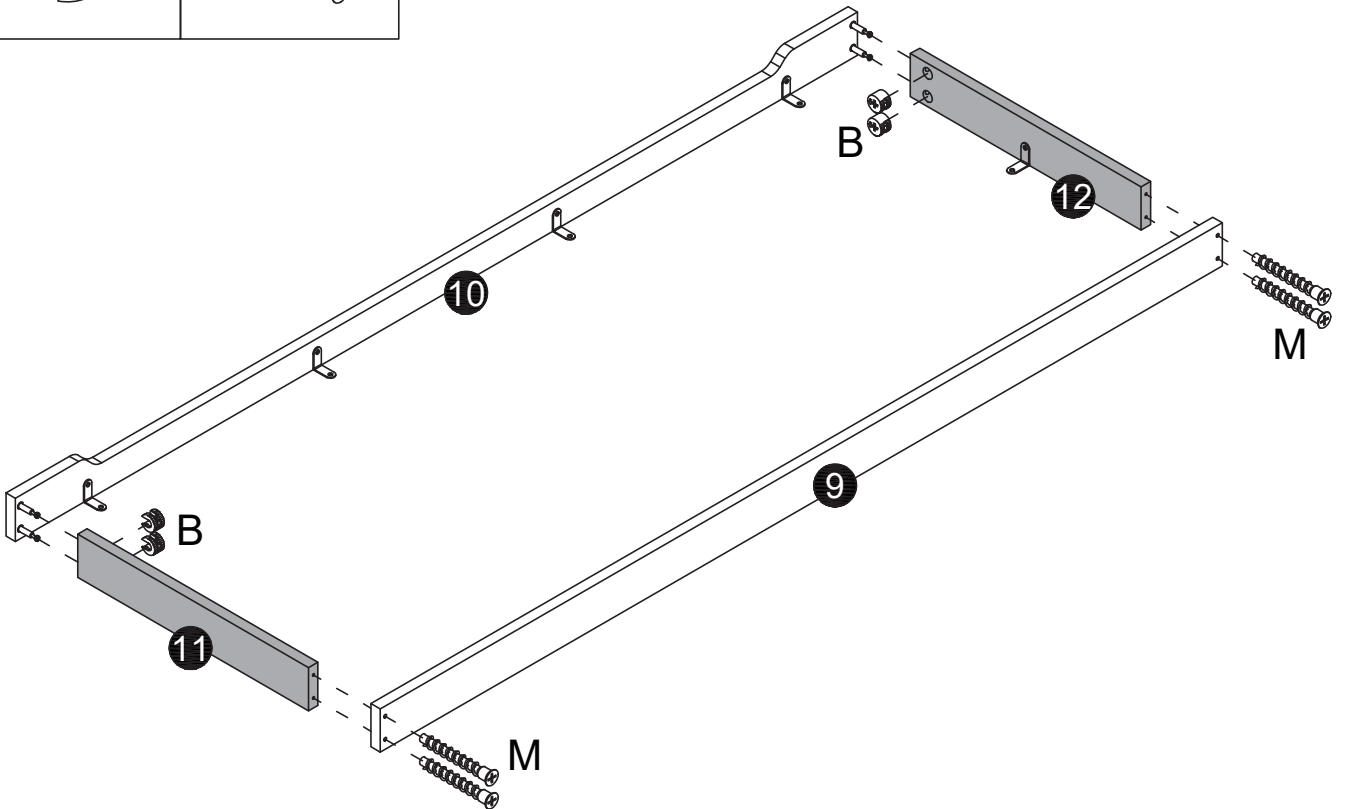
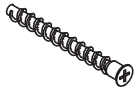
E x10

H x10



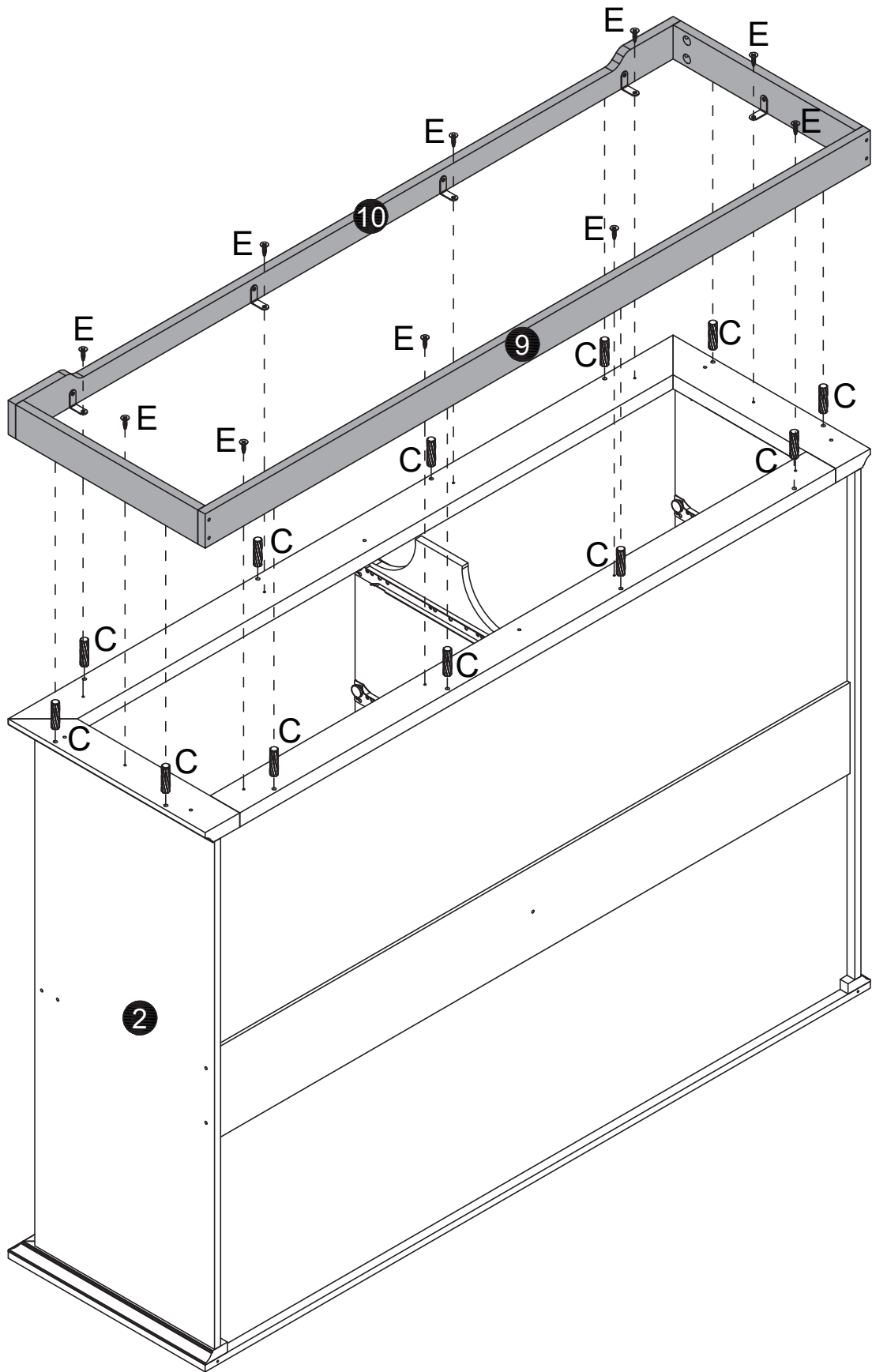
B x4

M x4



C x12

E x10



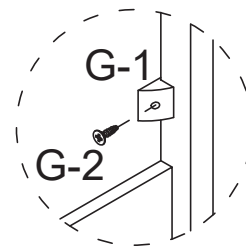
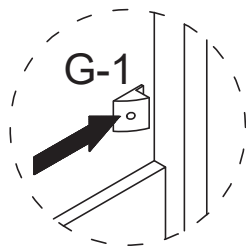
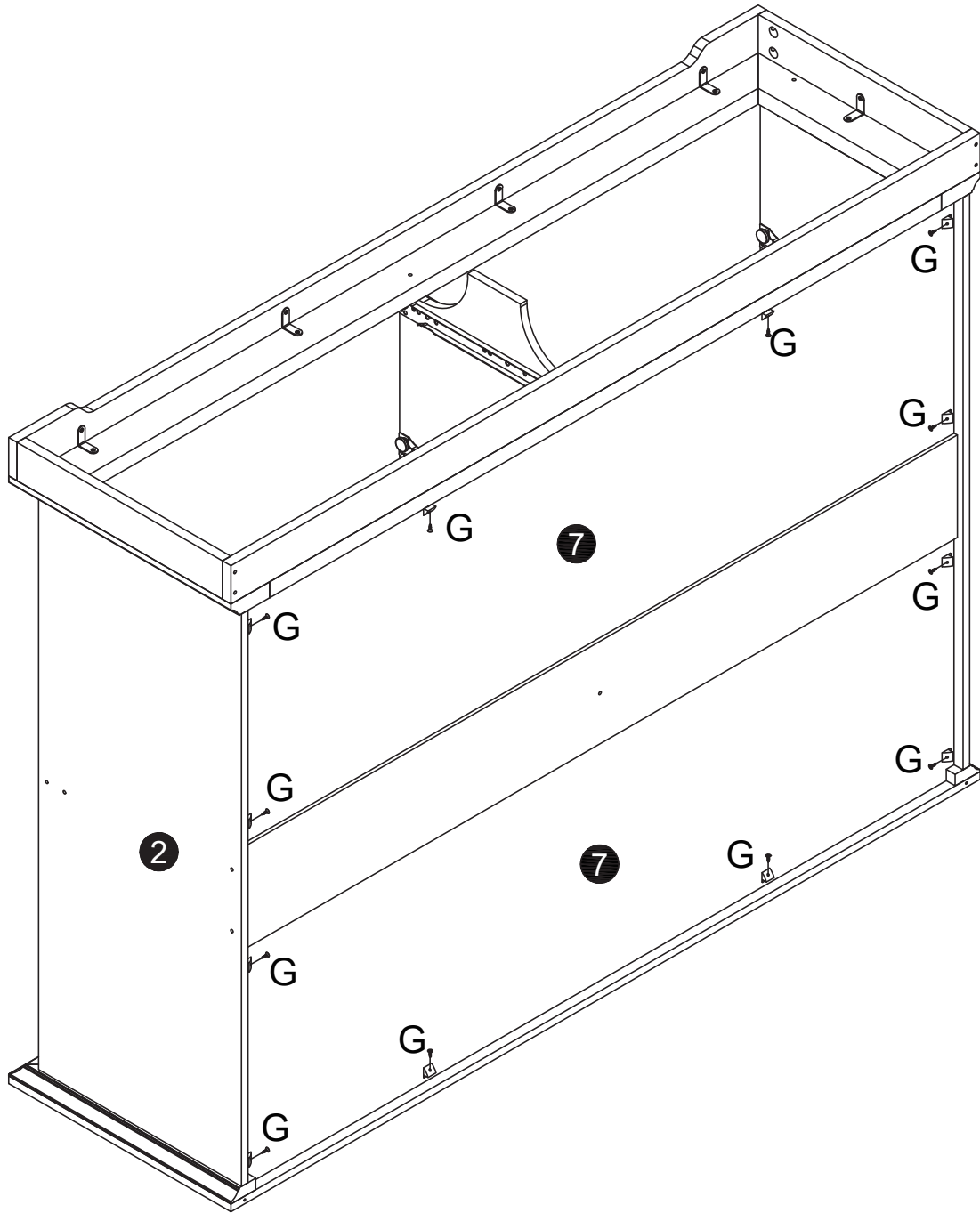
G x12



G-1

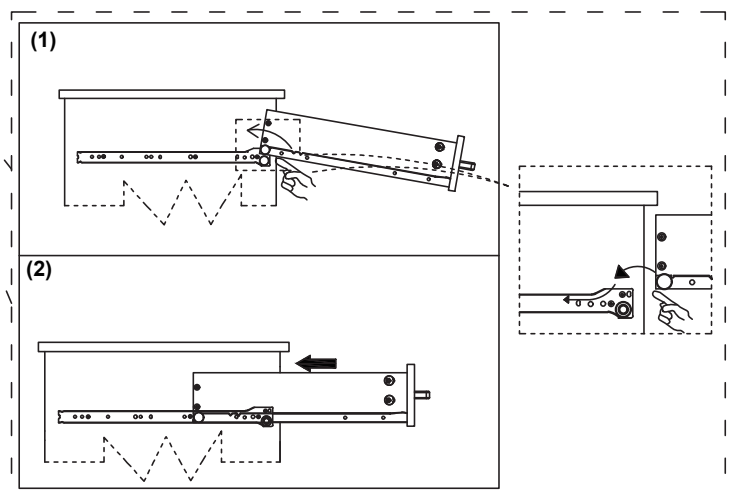
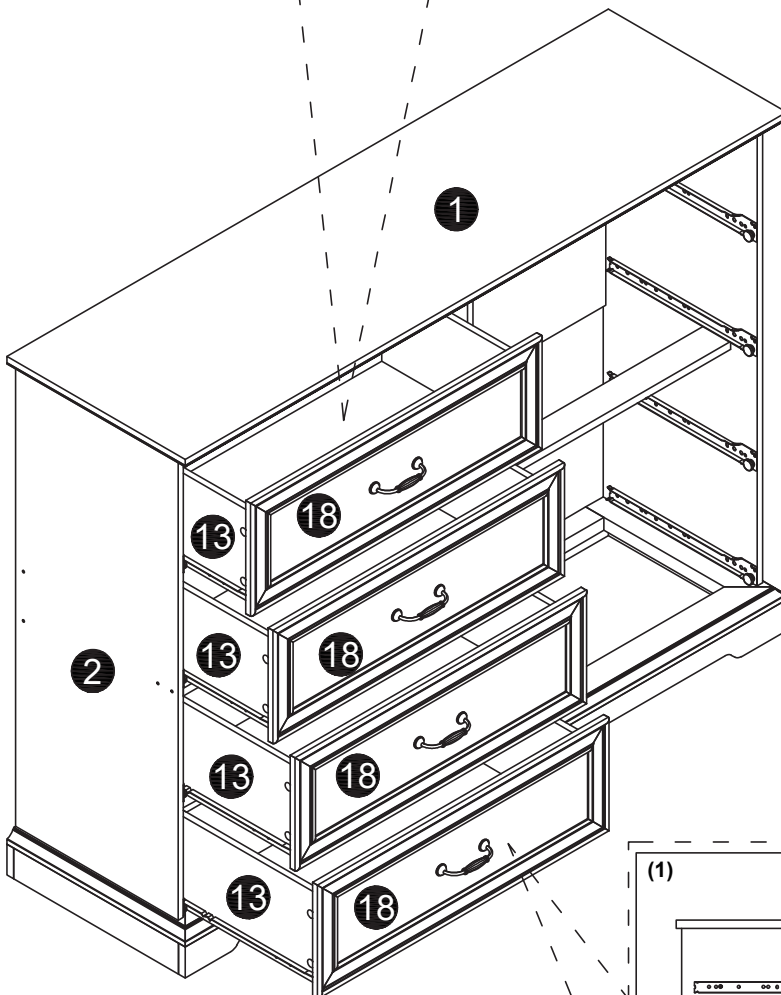
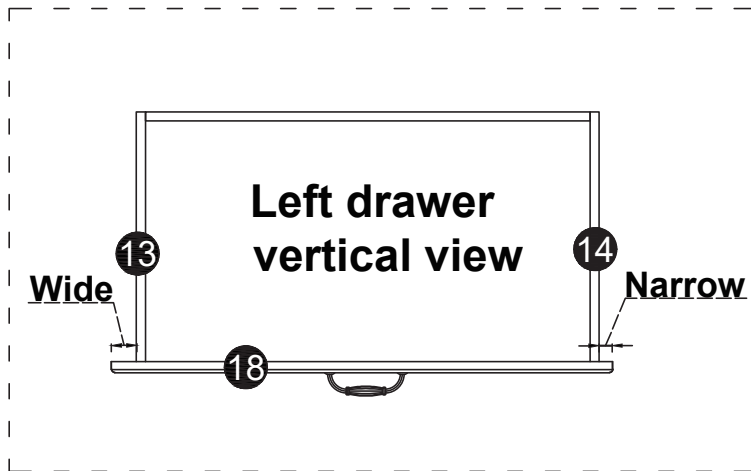


G-2



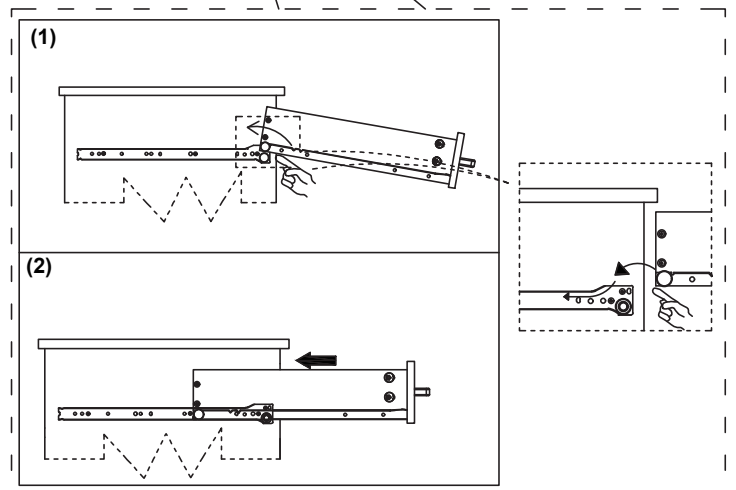
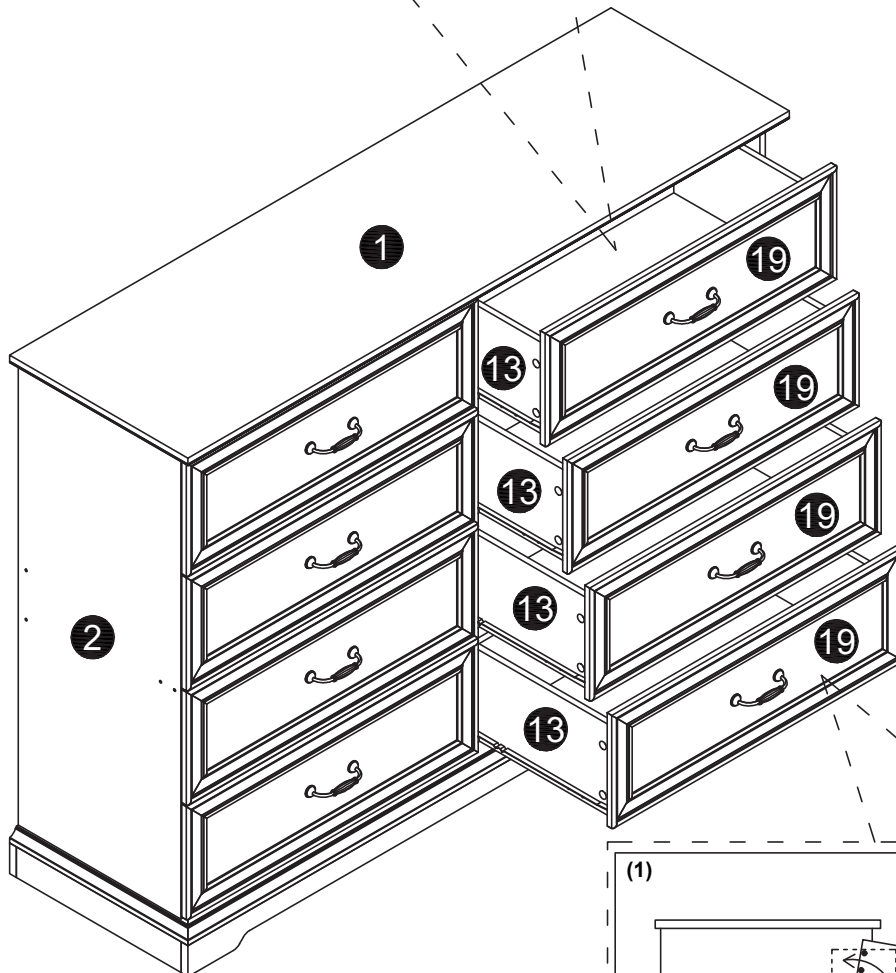
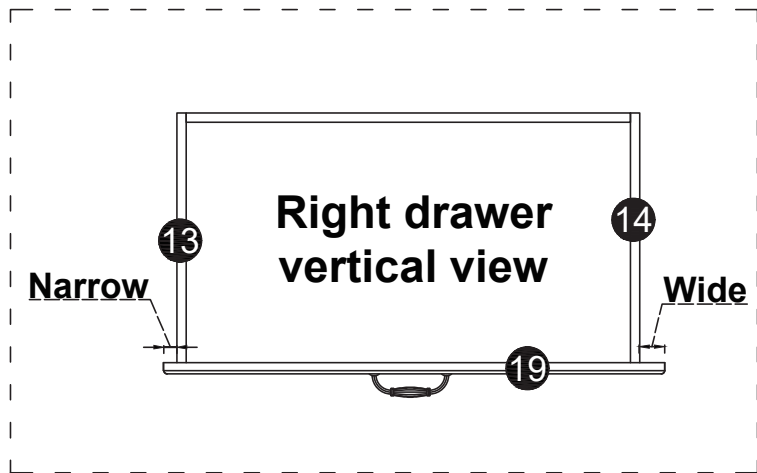
**Attention:**

There are two types of drawers, namely drawer 18 on the left and drawer 19 on the right . The following illustration shows Drawer 18 on the left .

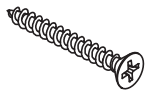


**Attention:**

There are two types of drawers, namely drawer 18 on the left and drawer 19 on the right . The following illustration shows Drawer 19 on the right .



D x2



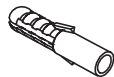
J x2



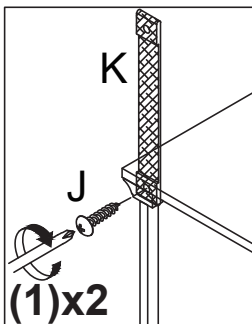
K x2



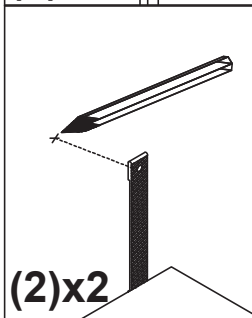
L x2



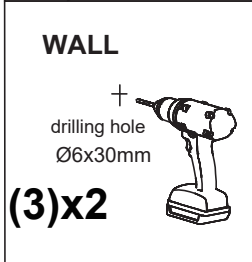
I x8



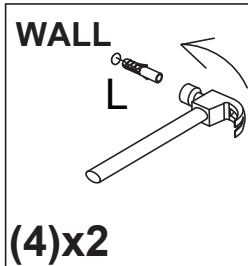
First fix the anti-rewind screw in the reserved hole of the product.



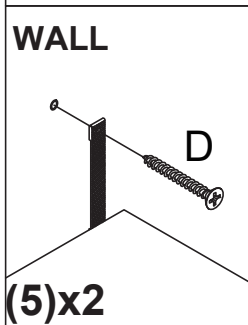
then, use a ruler to measure the approximate height of the product on the wall, and then mark it with a pen.



Then use a tape drill to make holes in the wall that are suitable for the product screws.



Then, put the expansion bolt into the hole



Finally, pass the matching screws through the "anti-rewind" and tighten them to fix them on the wall.

WALL

