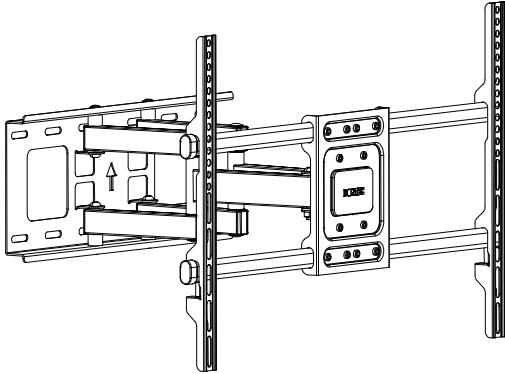


Installation Instruction



UNPACKING INSTRUCTIONS

- Carefully open the carton, remove contents and lay out on cardboard or other protective surface to avoid damage.
- Check package contents against the Supplied Parts List in the next page to assure that all components were received undamaged. Do not use damaged or defective parts.
- Carefully read all instructions before attempting installation.

IMPORTANT SAFETY INFORMATION

Install and operate this device with care. Please read this instruction before beginning the installation, and carefully follow all instructions contained herein. Use proper safety equipment during installation.

Please call a qualified installation contractor for help if you:

- If you don't understand these directions or have any doubts about the safety of the installation.
- If you are uncertain about the nature of your wall, consult a qualified installation contractor.

Do not use this product for any purpose or in any configuration not explicitly specified in this instruction. We hereby disclaim any and all liability for injury or damage arising from incorrect assembly, incorrect mounting, or incorrect use of this product.



WARNING

CAUTION!

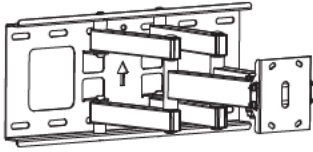
This TV mount must be securely attached to the vertical wall. If the mount is not properly installed it may fall, resulting in possible injury and/or damage.

Tools Required

- | | | |
|------------------------|--------------------|------------------------|
| ■ 4mm Drill Bit | ■ 10mm Masonry Bit | ■ Wrench or Socket Set |
| ■ Phillips Screwdriver | ■ Stud Finder | ■ Carpenter's Level |

Note: The mounting components and hardware supplied in this package are not designed for installations to walls with steel studs or to cinder block walls. If the hardware you need for your installation is not included, please consult your local hardware store for proper mounting hardware for the application.

Supplied Parts List



A (x1)



B (x1)



C (x4)



D (x2)



**M6x20 (x8)
E**



**M6x10 (x4)
F**



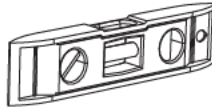
**Plastic washer (x4)
G**



**steel washer (x4)
H**



**4mm Allen key (x1)
I**



**bubble level (x1)
J**



**Cable tie (x5)
K**



**HDML cable (x1)
L**



**M4x12 (x4)
M-A**



**M4x30 (x4)
M-B**



**M6x15 (x4)
M-C**



**M6x30 (x4)
M-D**



**M8x15 (x4)
M-E**



**M8x45 (x4)
M-F**



**5mm (x8)
M-G**



**10mm (x8)
M-H**



M-I (x4)



W-A (x4)



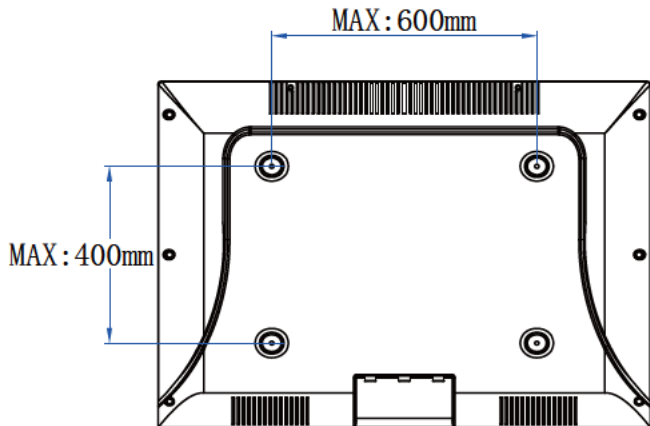
W-B (x4)



W-C (x4)

Before getting started, let's make sure this mount is perfect for you!

1. Is your TV VESA equal to/greater than 100x100mm and equal to/less than 600x400mm?

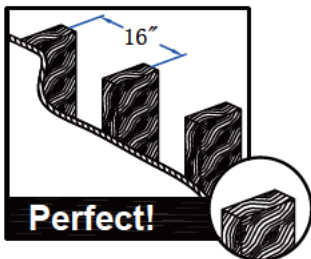


Yes --- Perfect!

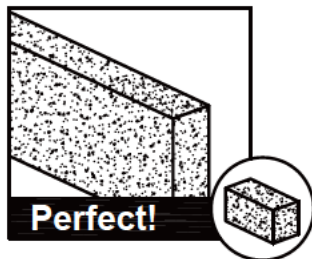
No --- This mount is **NOT** compatible.

2. What is your wall made of?

⚠ CAUTION:
DO NOT install
into drywall alone

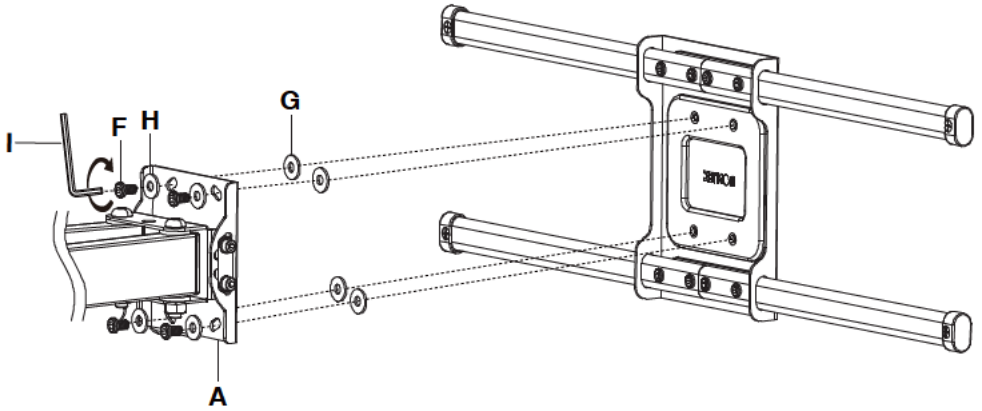
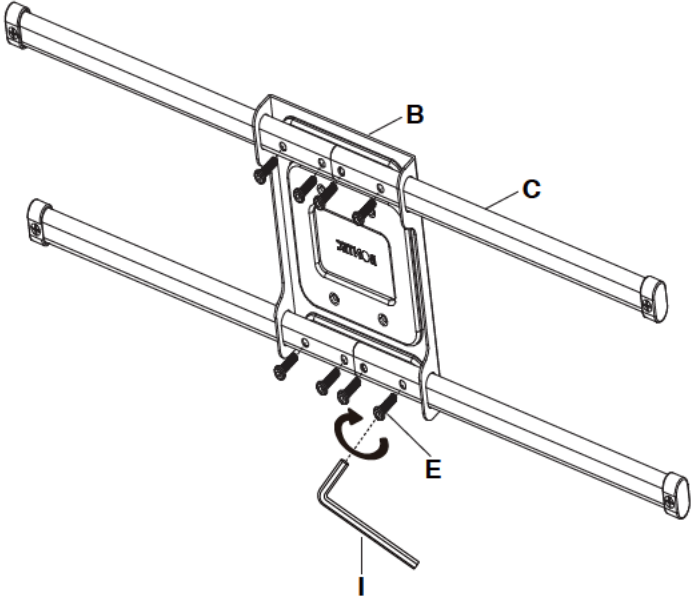


Drywall with
wood studs?



Solid concrete wall?

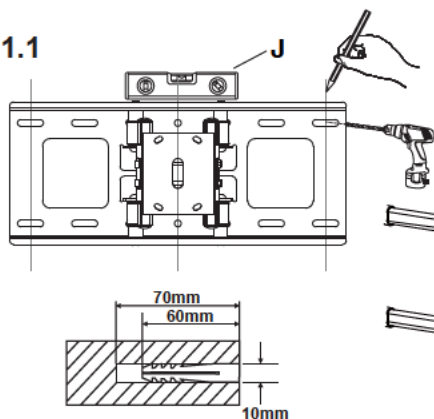
Step 1



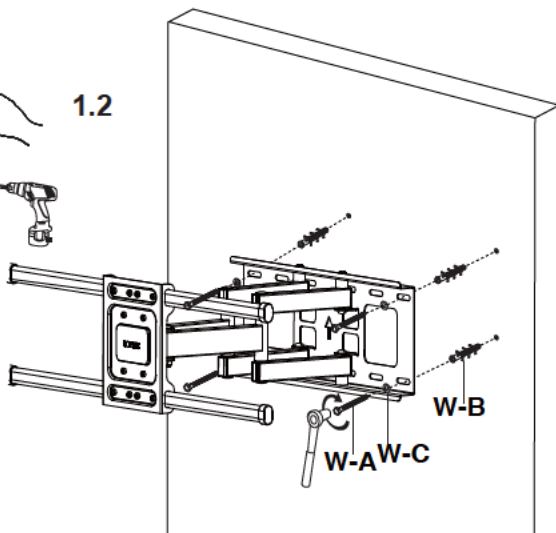
Step 2 Mounting the Wall Plate to the Wall

Brick or Concrete Wall

1.1

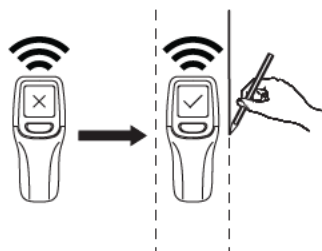


1.2

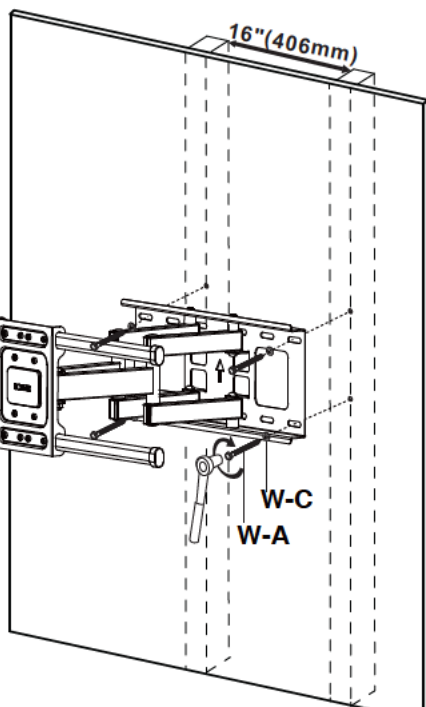


Wood Studs Wall

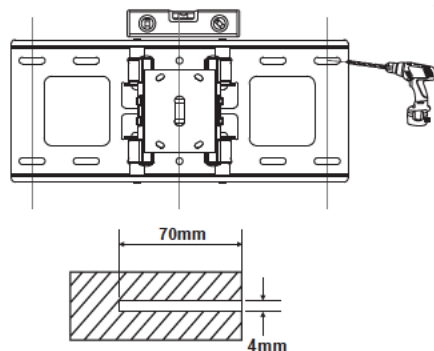
1.1



1.3



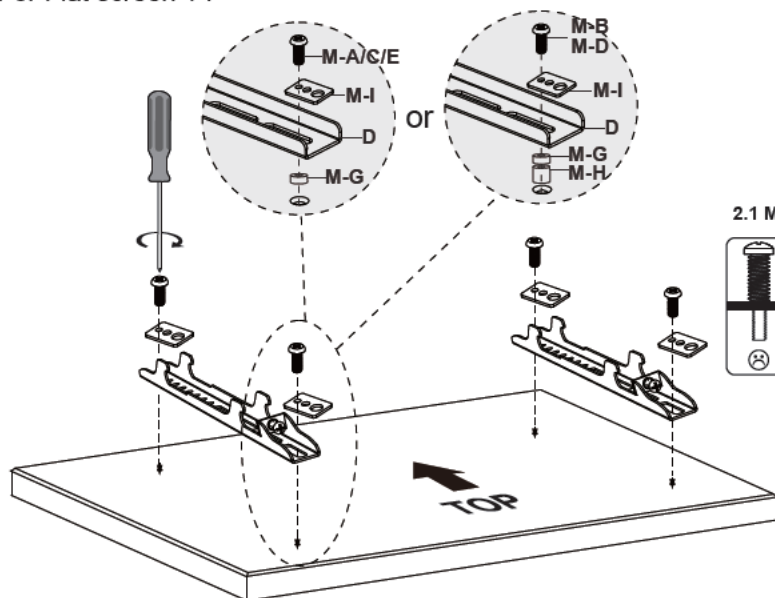
1.2



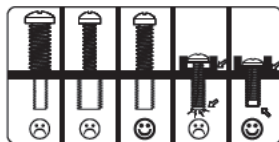
Step 3 Install VESA Plate to the back of TV

For Flat screen TV

Manual Only!



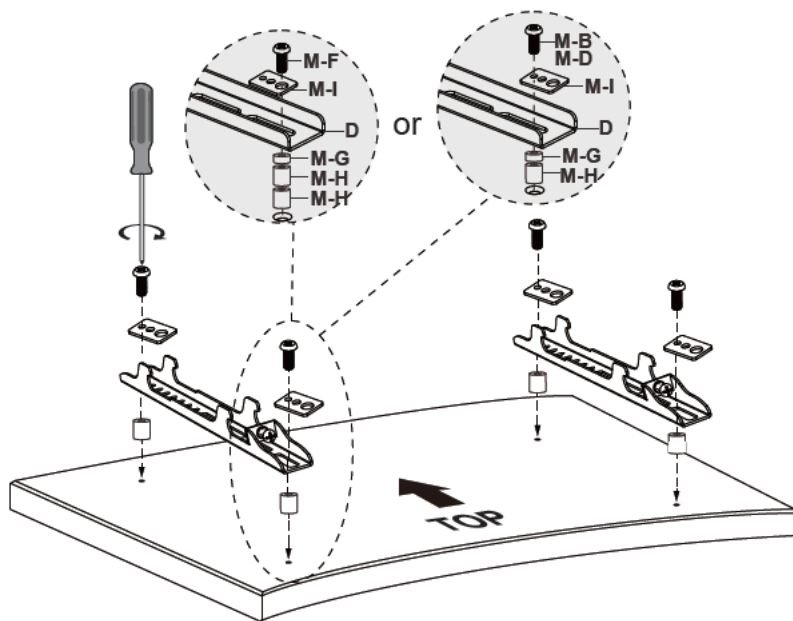
2.1 M-A/M-B/M-C/M-D/M-E/M-F



2.2 M-G/M-H (Optional)

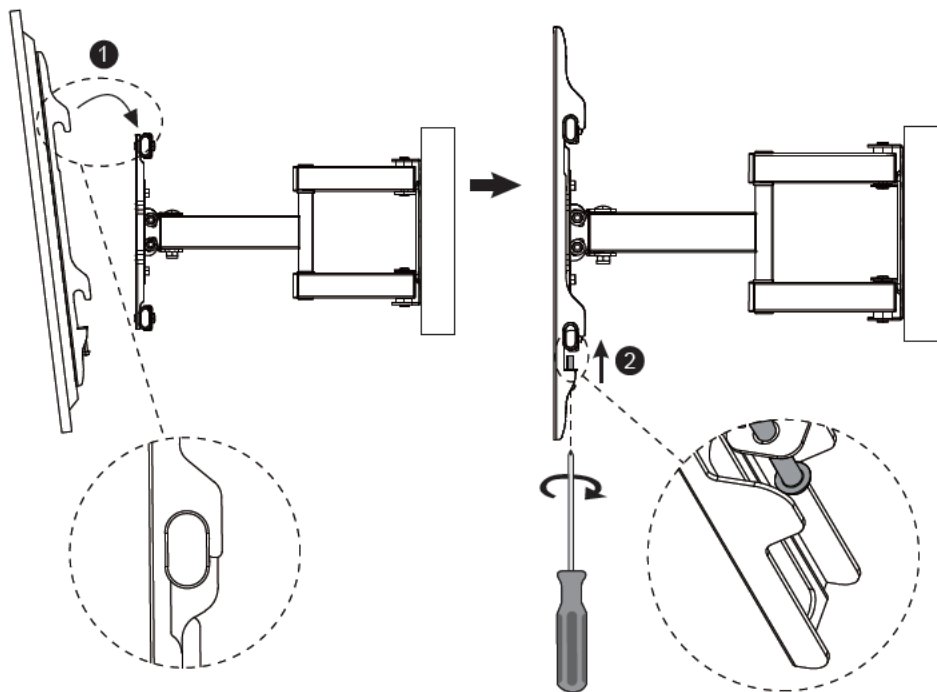


For Curved TV

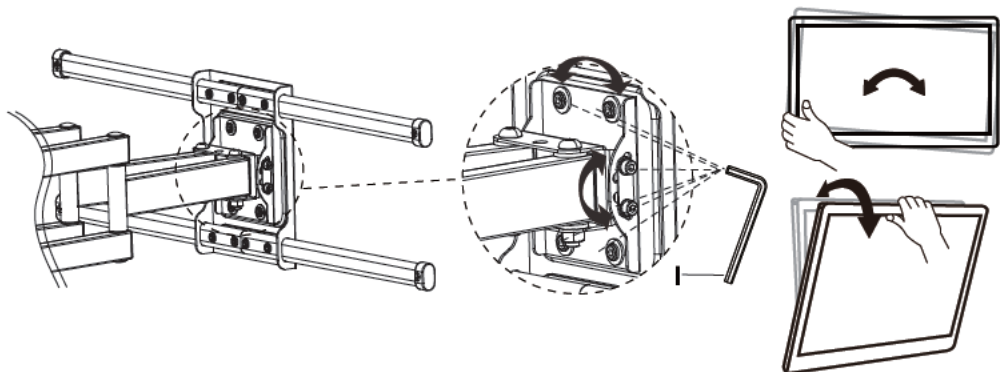


Step 4 Final Installation

Hang your TV to the Brackets and lock it.



Step 5 Tilting And Level adjustment



Thank you for choosing our products.

