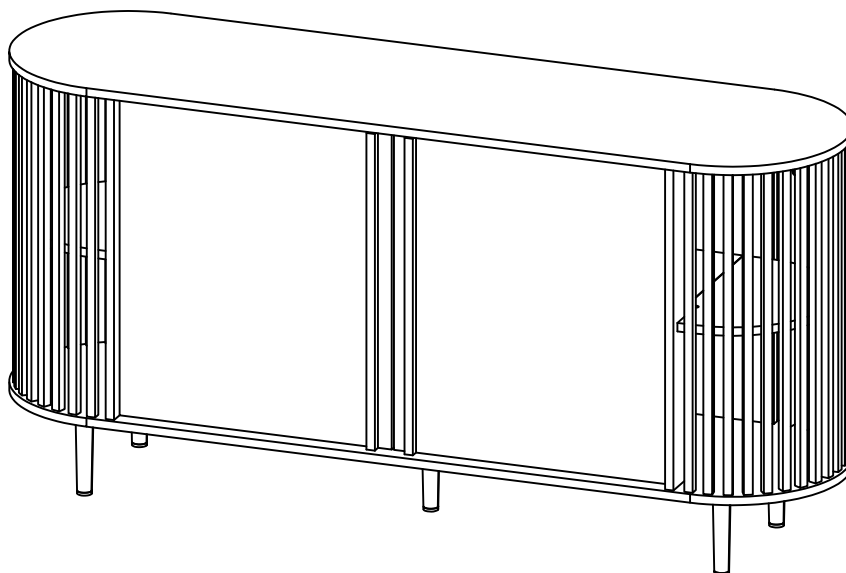


BUFFET CABINET

SKU WHIF2368



ASSEMBLY INSTRUCTIONS



60 min. assembly

2 person


*The estimated assembly time may vary depending on the individual.

Hey, there

Now is assembly time!

Deeeeeeep breathe.... and again....
Tools ready,
Easy peasy!

Estimated

 **60** min. assembly
2 person

Tools Required

- Allen Key (included)
- Screw Driver (not included)
- Hammer (not included)
- Drill (not included)

important: Cautious when you use power tools

Need Help?

Call us at +1 909 548 6688
Email customerservice@luxenhome.com
Submit a ticket on www.luxenhome.com/help

Thank you for purchasing this LuxenHome product. This product has been manufactured with the highest standards of safety and quality.

PLEASE READ ALL INSTRUCTIONS CAREFULLY BEFORE ASSEMBLY.

Unpack all parts from the packaging inside the carton to ensure there are no missing or damaged parts. Lay out all the product parts on a clean, flat, and soft surface to prevent scratches. Refer to the steps provided as assembling guide.

Do not attempt to assemble or use the product if any parts are missing or damaged.

REMINDERS

SAFE USAGE IS KEY

Your well-being is our top priority when you use our product. Please prioritize your safety by diligently following the assembly guidelines and inspecting the product carefully both when it arrives and before each use.

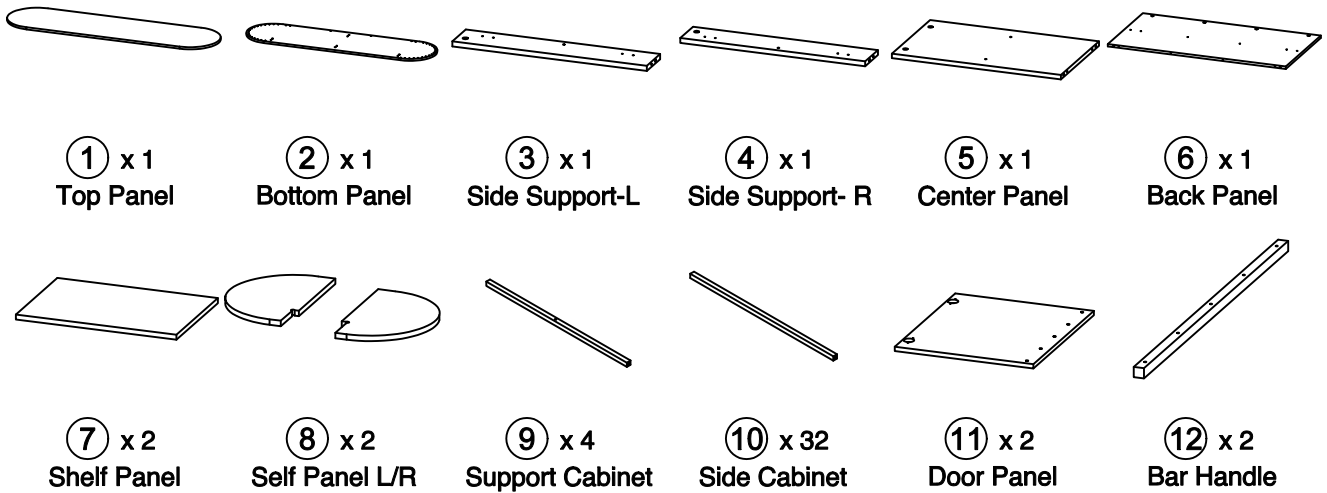
Please be aware that LuxenHome and Winsome House, Inc. cannot be held liable for any injuries or fatalities that occur due to not adhering to the provided instruction or misuse of the product.

DO NOT MODIFY

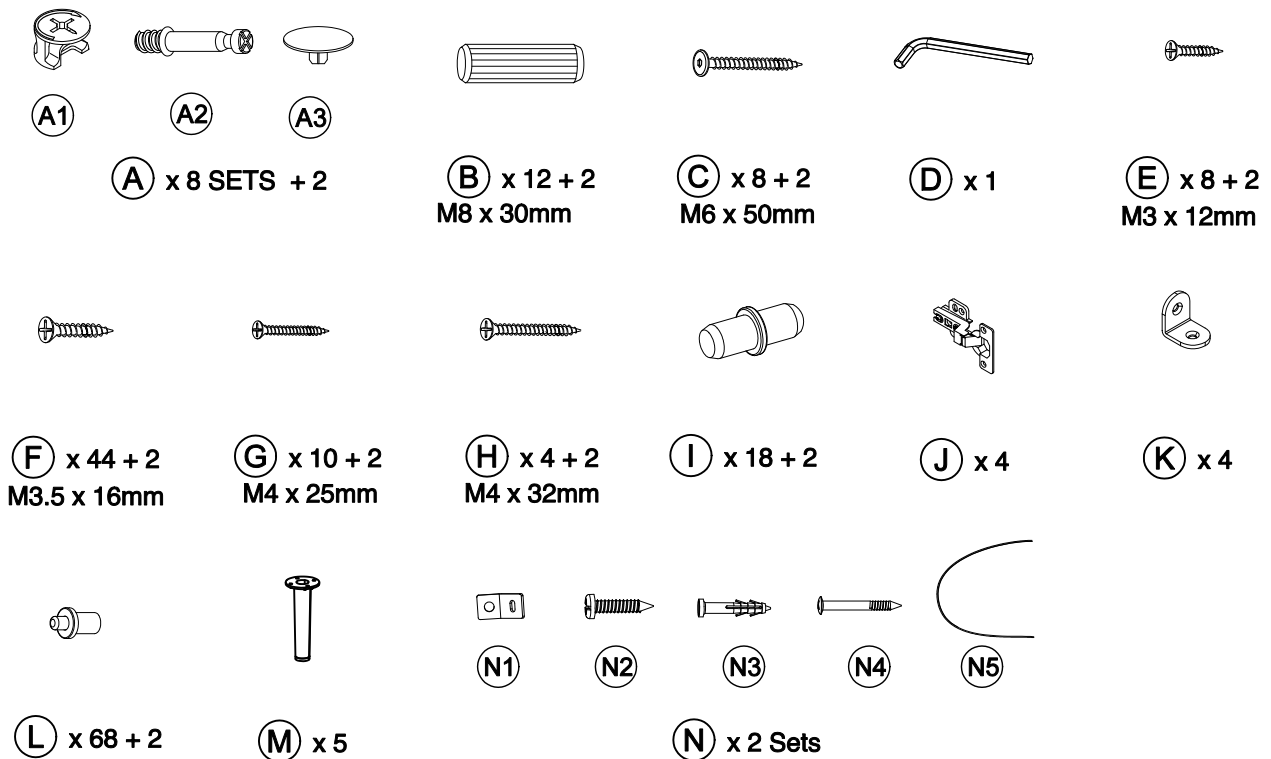
Our products undergo rigorous testing to ensure they meet established safety standards before being released for sale. Altering the product in any way can lead to serious safety concerns, for which LuxenHome cannot assume responsibility.

What's in the box

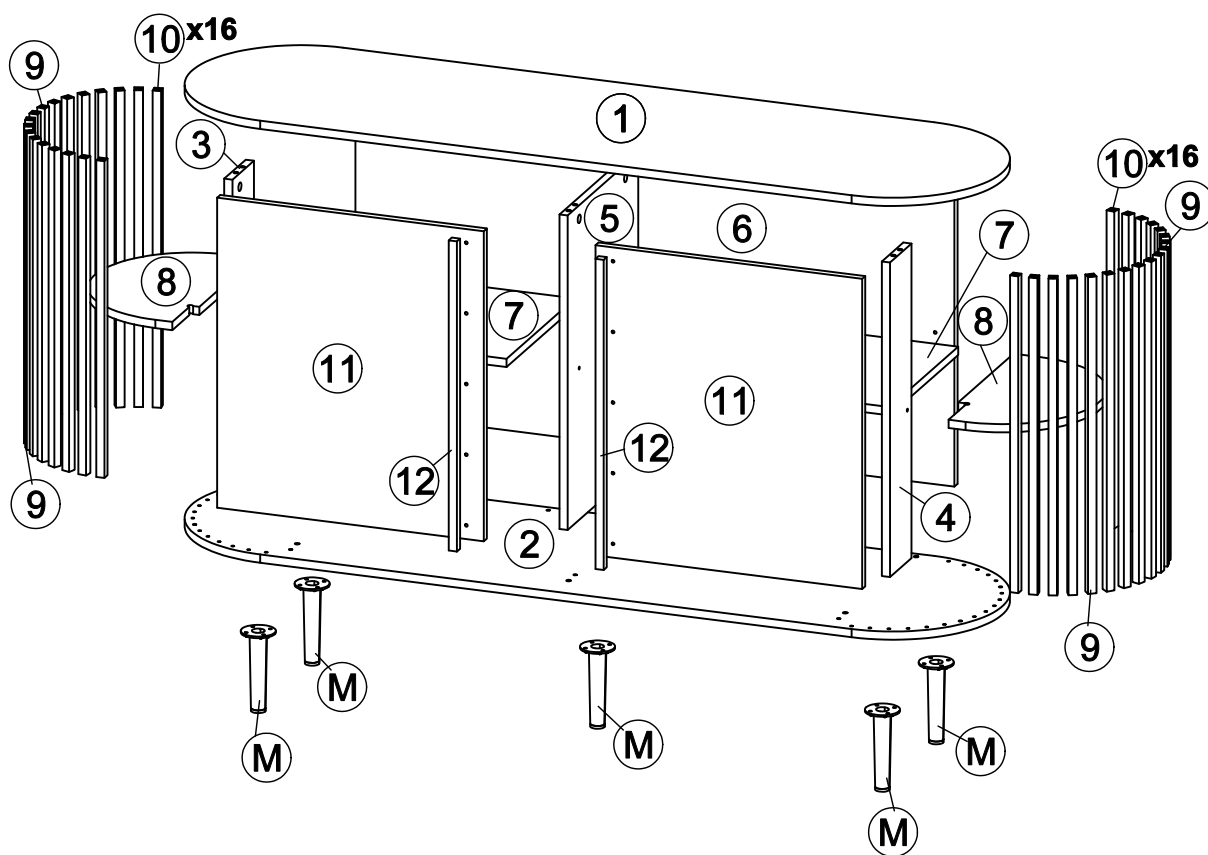
Parts



Hardware & accessory



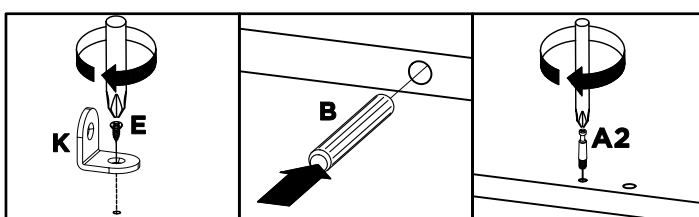
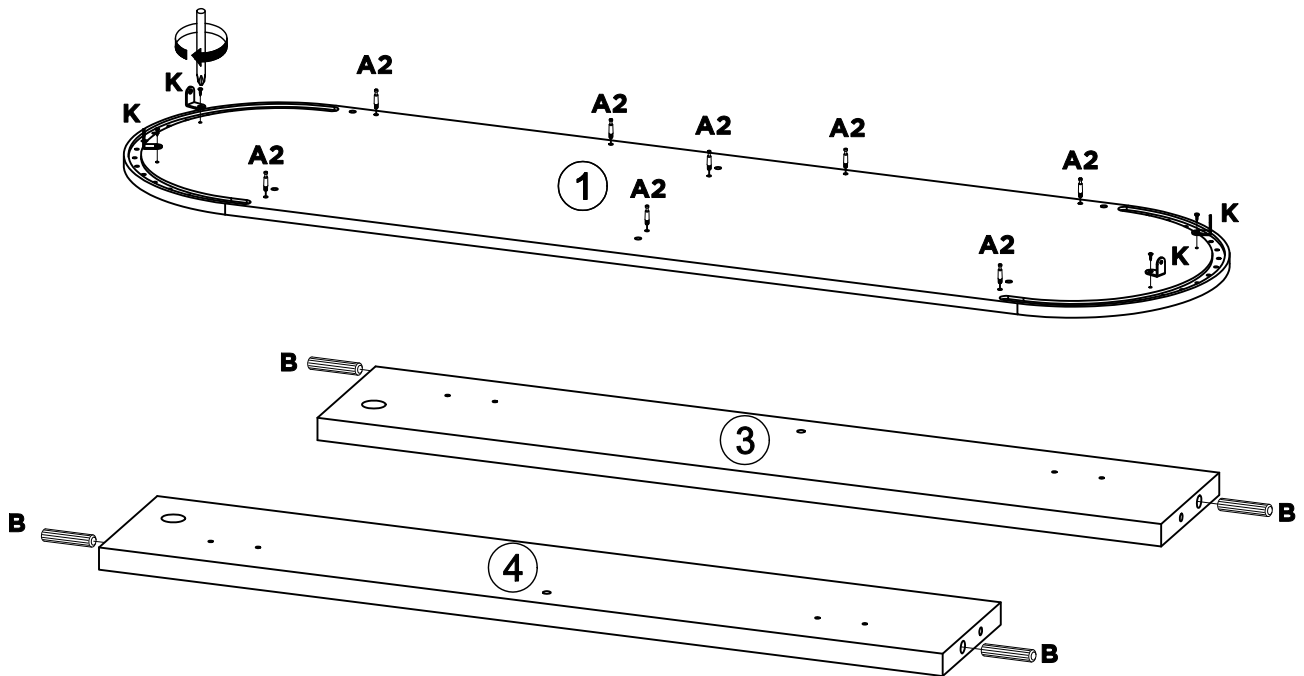
Assembly



Step 1

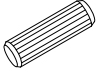
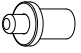
- Install and tighten hardware A2 until the shoulder is flush with panels 1.
- Insert hardware B to panels 3 and 4.
- Fix hardware K onto panel (1) by using hardware (E) and screwdriver.

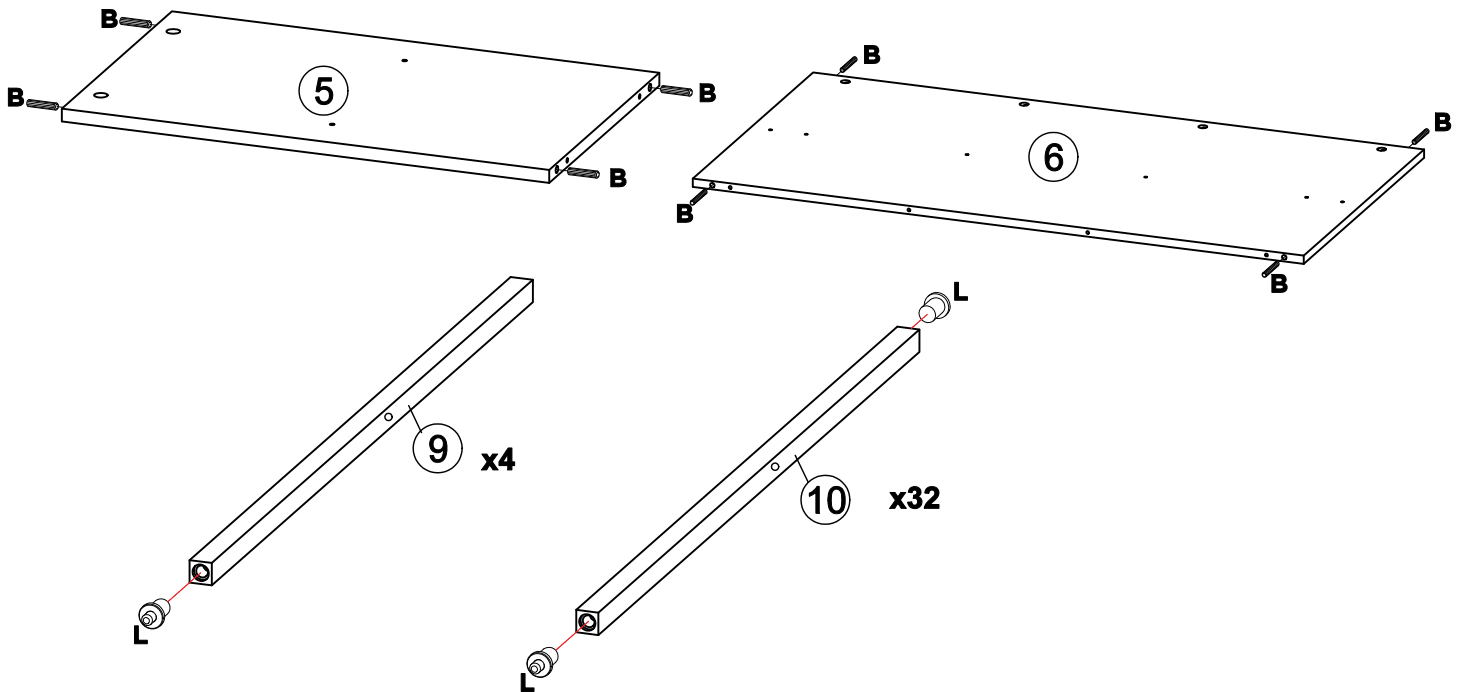
A2 x 8	B x 4
	M8 x 30mm
E x 4	K x 4
M3 x 12mm	



Step 2



- Insert hardware B to panels 5, and 6.
- Insert hardware L to panels 9.

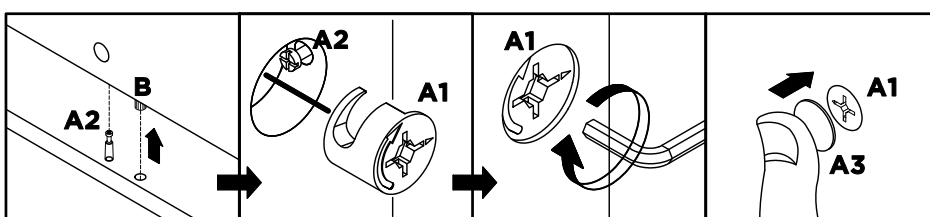
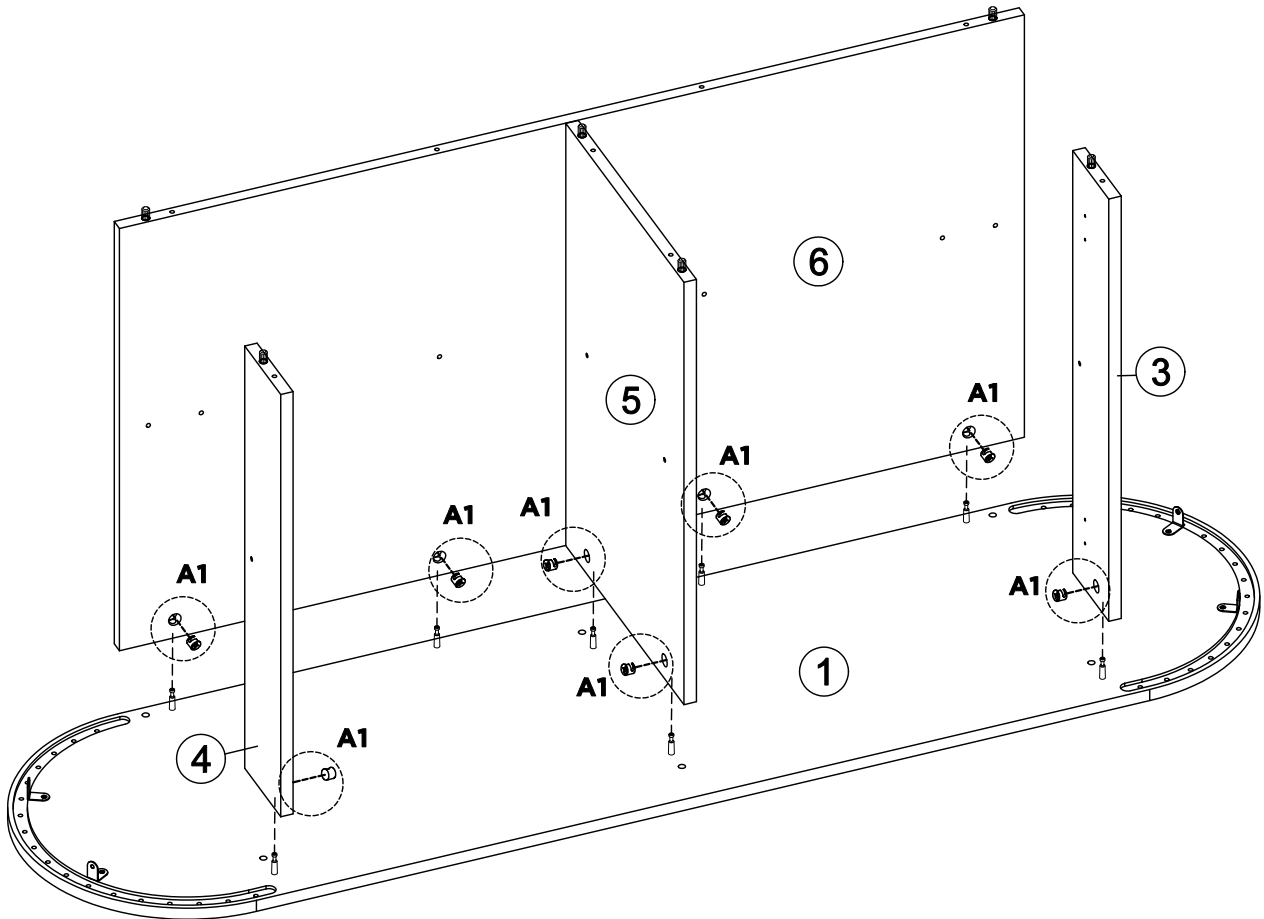
B x 8	L x 68
 M8 x 30mm	



Step 3

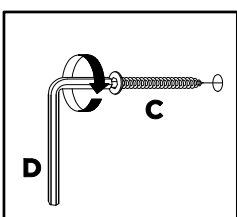
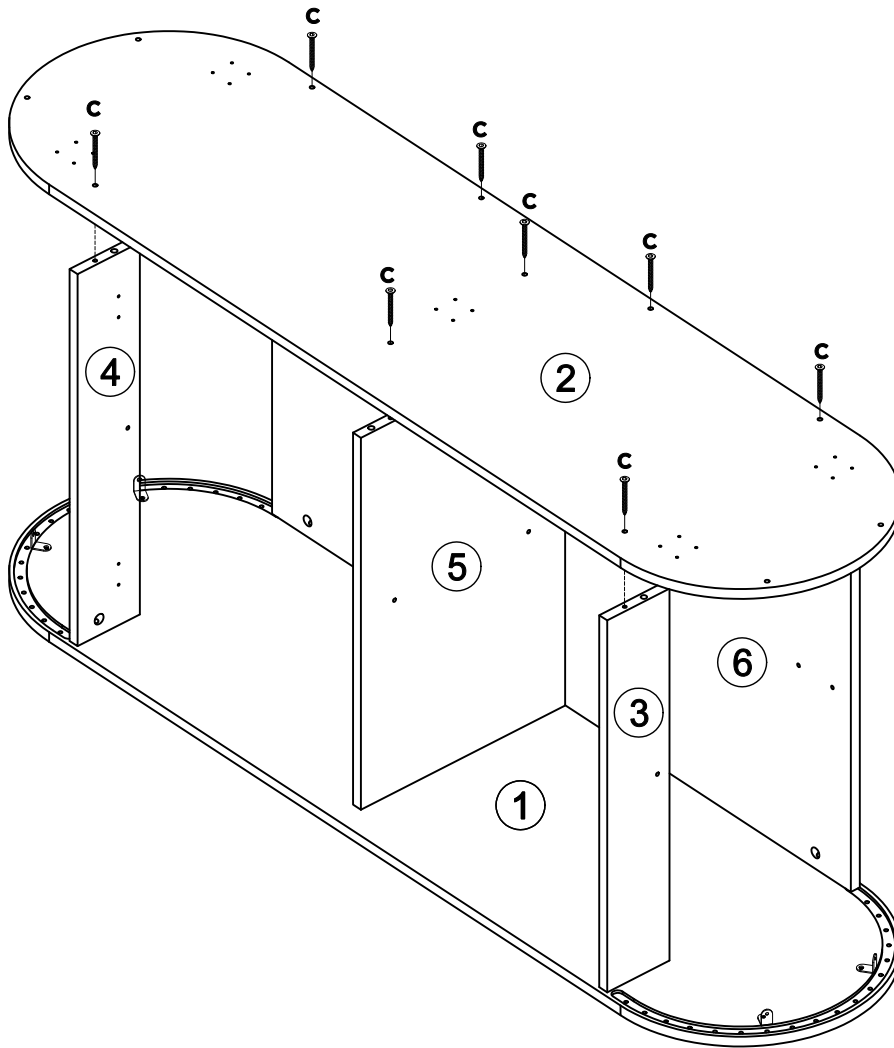
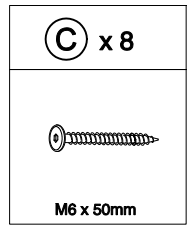
- Connect panel 3, 4, 5, and 6 to panel 1 by using hardware A1.
- Attach hardware A3 on top of hardware A1.

A1 x 8	A3 x 8
	



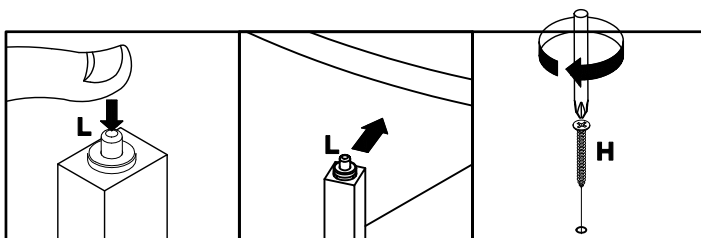
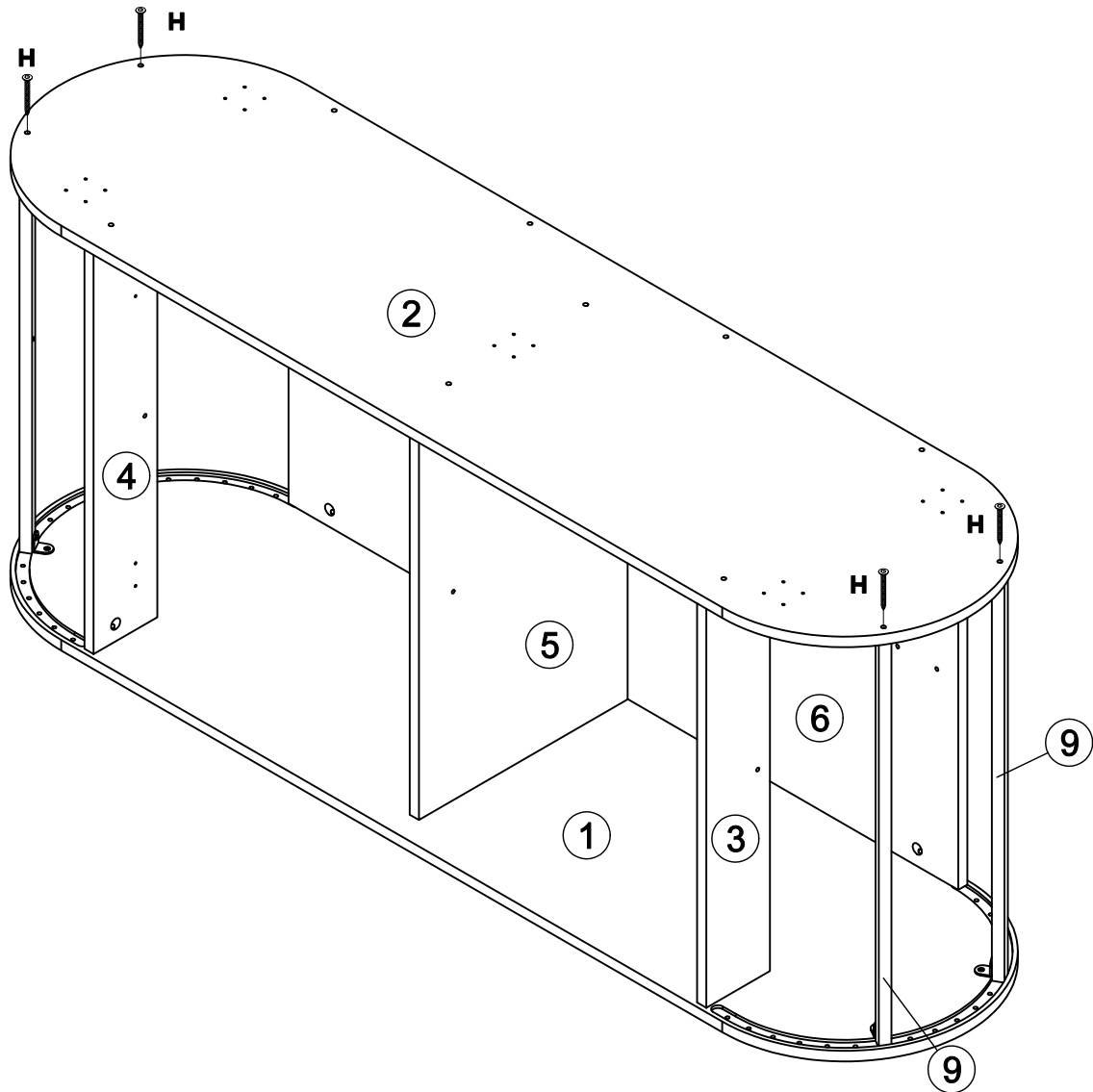
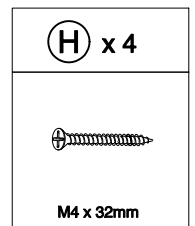
Step 4

-Connect panel 2 to panel 3, 4, 5 and 6 by using hardware C.



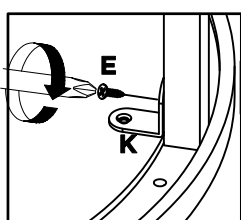
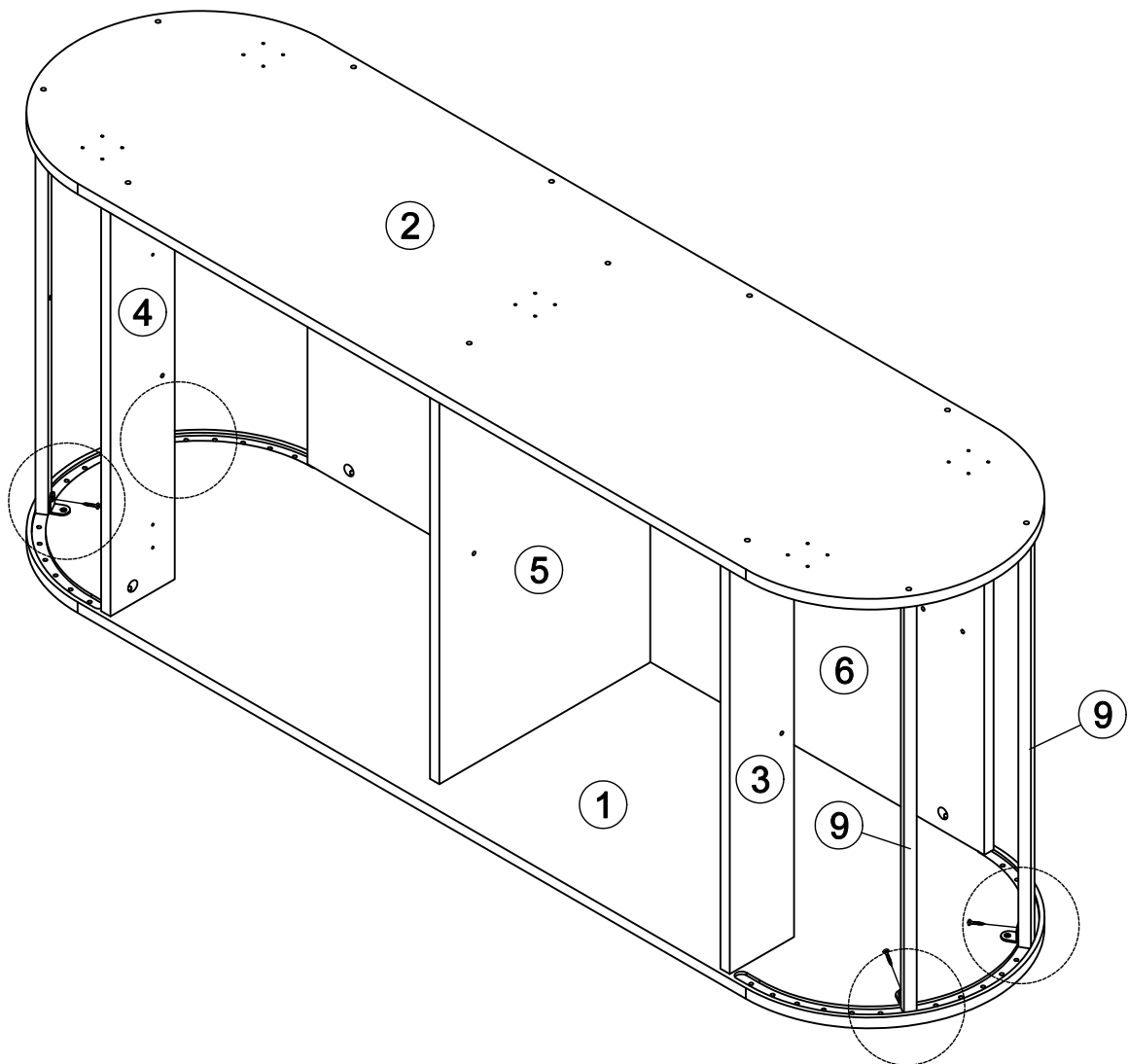
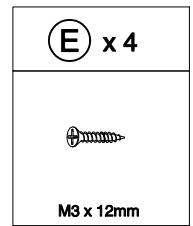
Step 5

-Assemble parts (9) into between panel (1) and (2) by pressing the attached hardware L into the groove on panel (1) by hand then fix panel (9) to panel (2) by using hardware H.




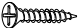
Step 6

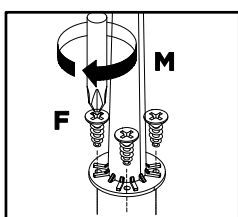
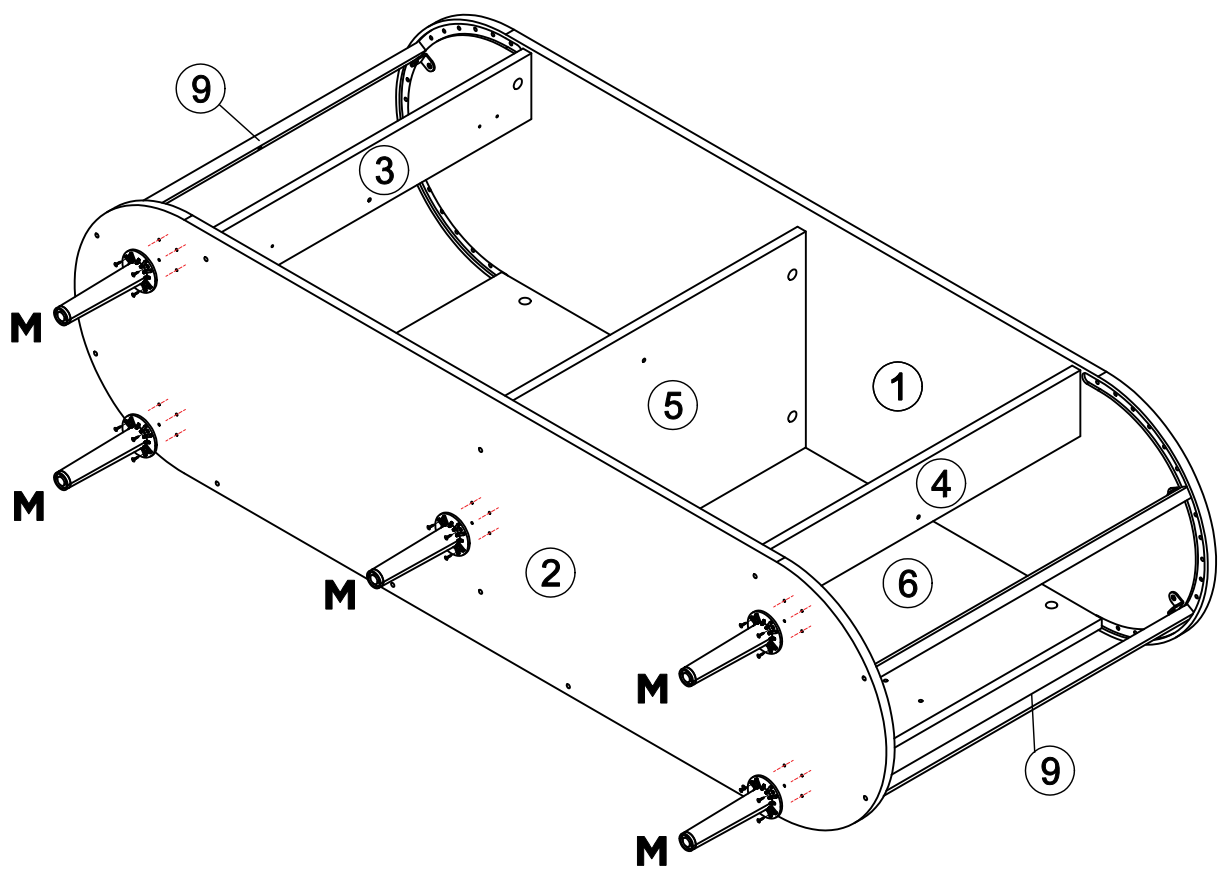
- Fix hardware K onto panel (9) by using hardware (E) and screwdriver.
(Repeat 4 times)



Step 7

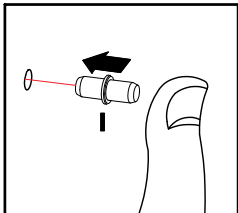
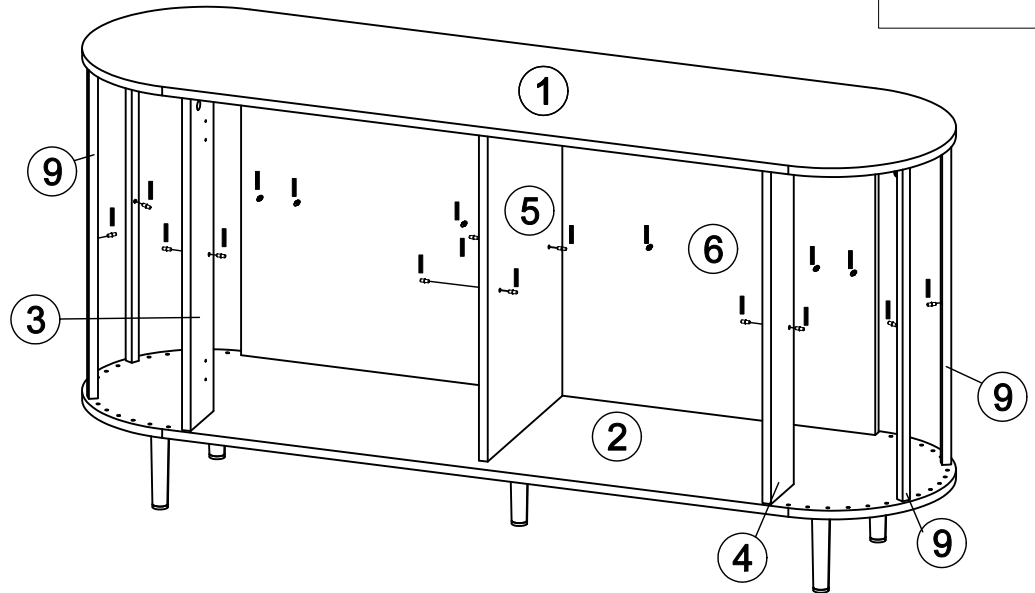
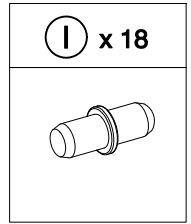
-Fix hardware M into panel (2) by using hardware F.

(M) x 5	(F) x 20
	
	M3.5 x 16mm



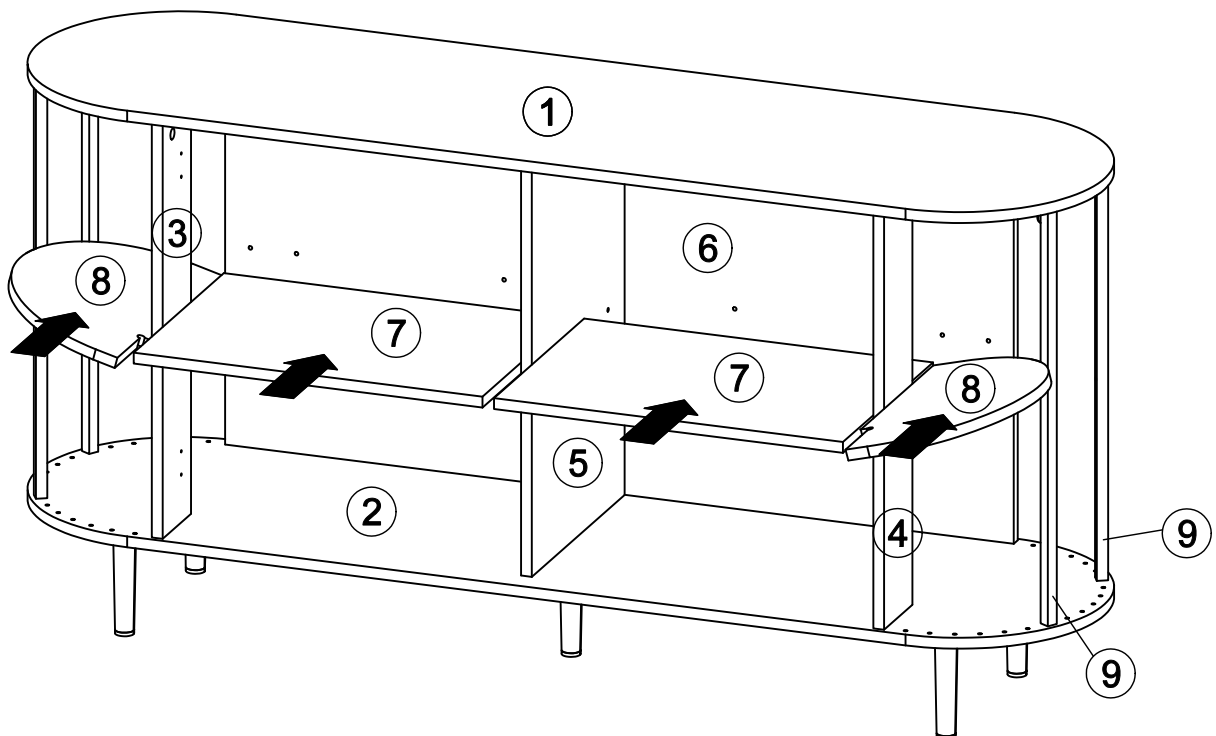
Step 8

-Fix hardware I onto panel 3, 4, 5, 6 and 9.



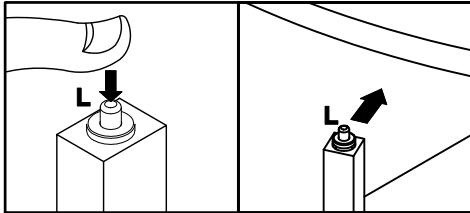
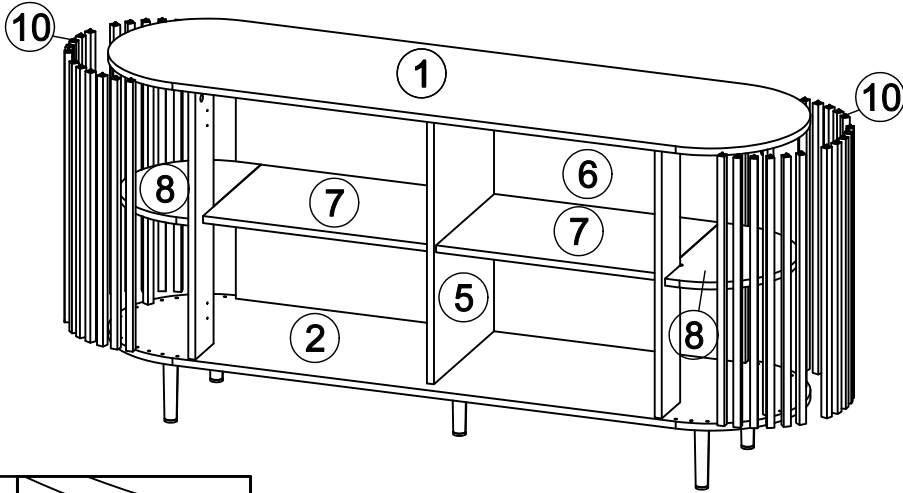
Step 9

-Assemble panel 7 and 8 into between panel 3 4, 5, 6 and 9.



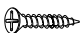

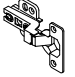
Step 10

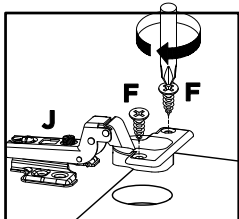
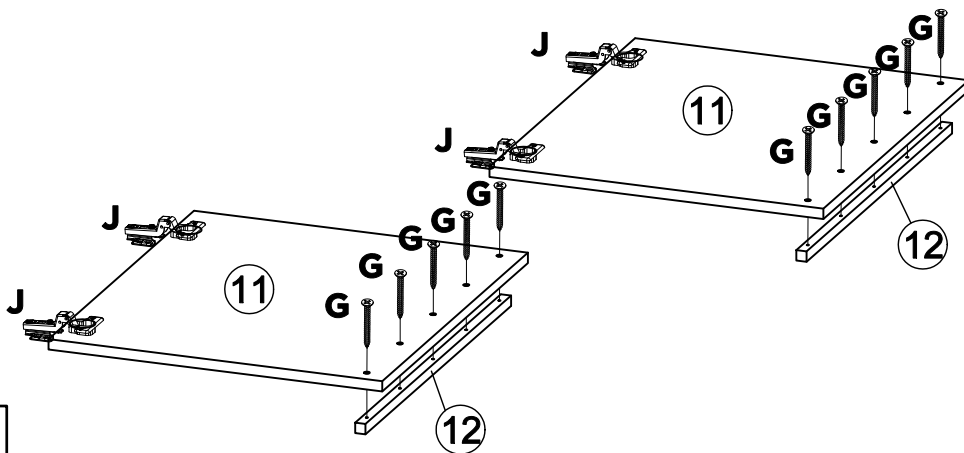
-Assemble parts 10 into between panel 1 and panel 2 by pressing the attached hardware L into the groove on panel 1 and 2.



Step 11

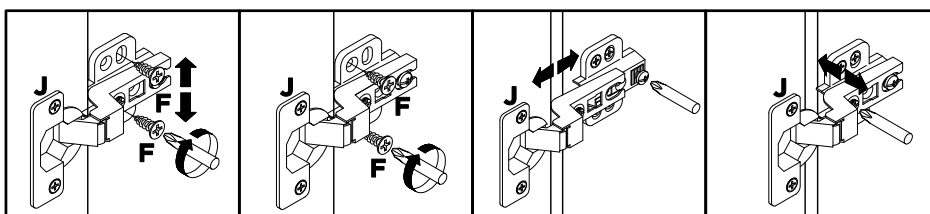
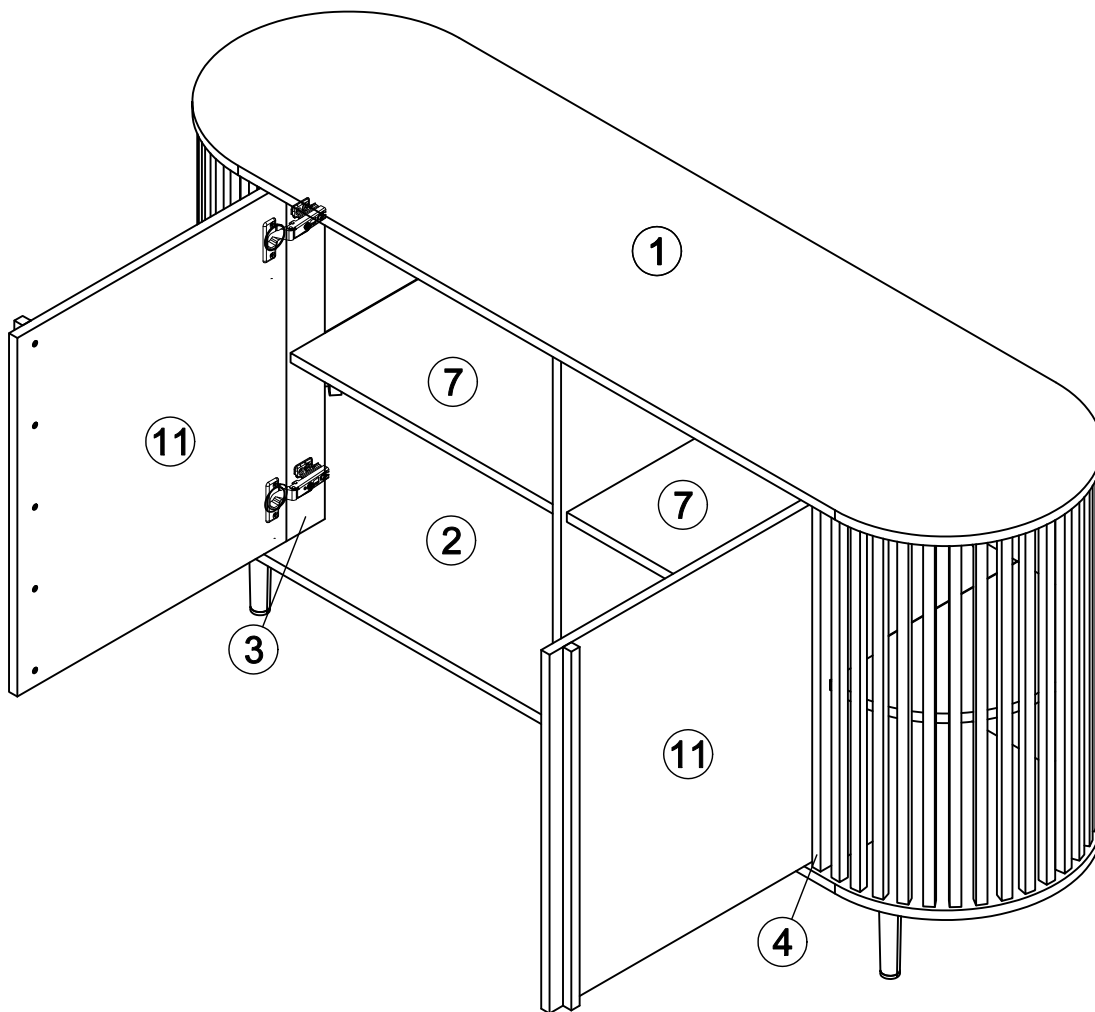
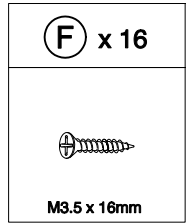
-Fix hardware J to panel 11 by using hardware F.
 -Fix panel 12 to panel 11 by using hardware G.

(F) x 8	(G) x 10	(J) x 4
		
M3.5 x 16mm	M4 x 25mm	



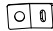


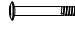
Step 12

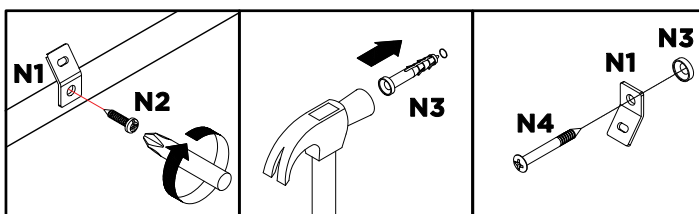
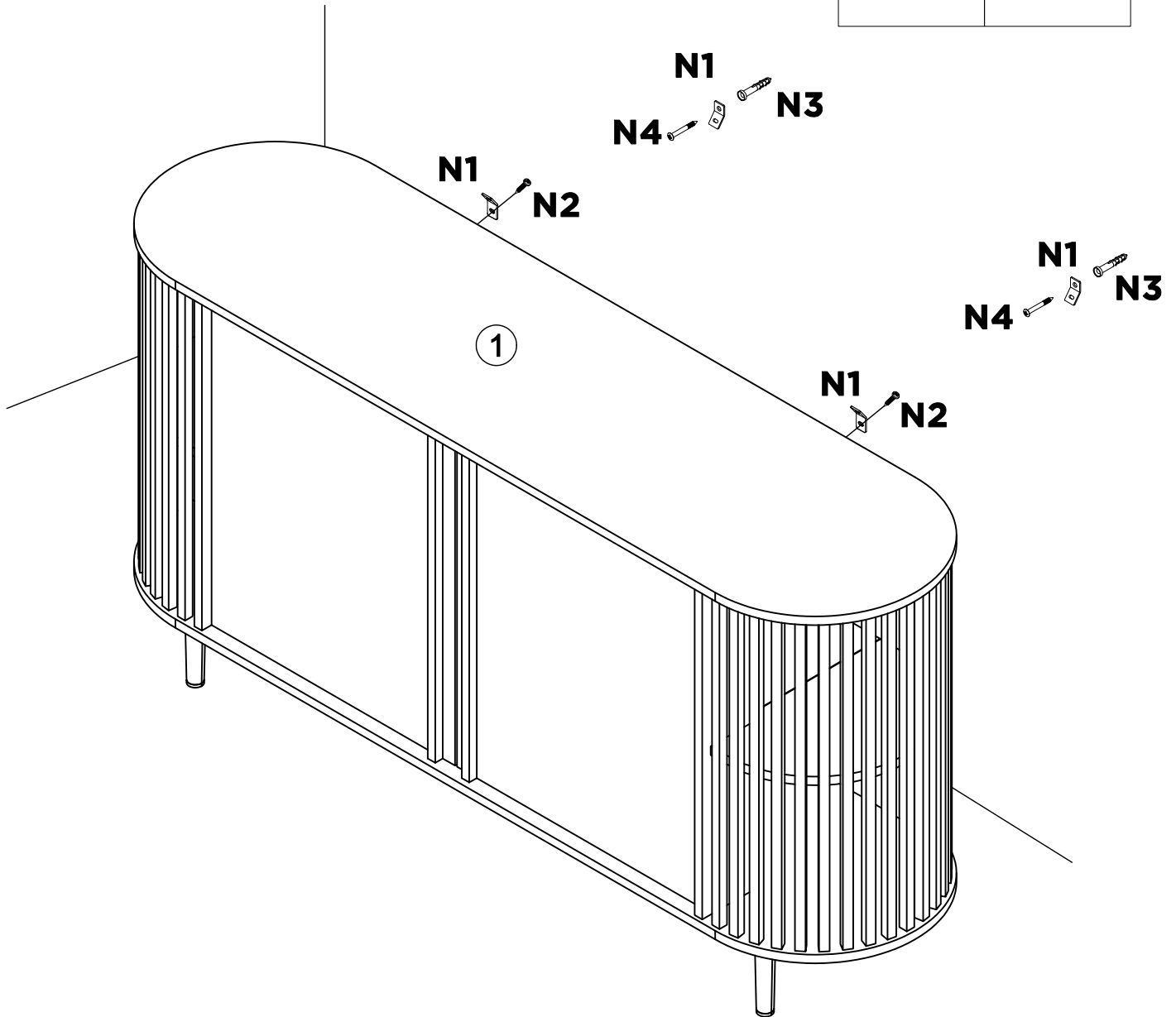
-Assemble panel 11 to panel 3 and 4 by using hardware F.



Step 13

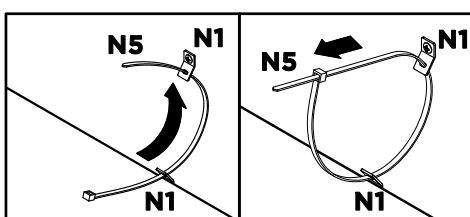
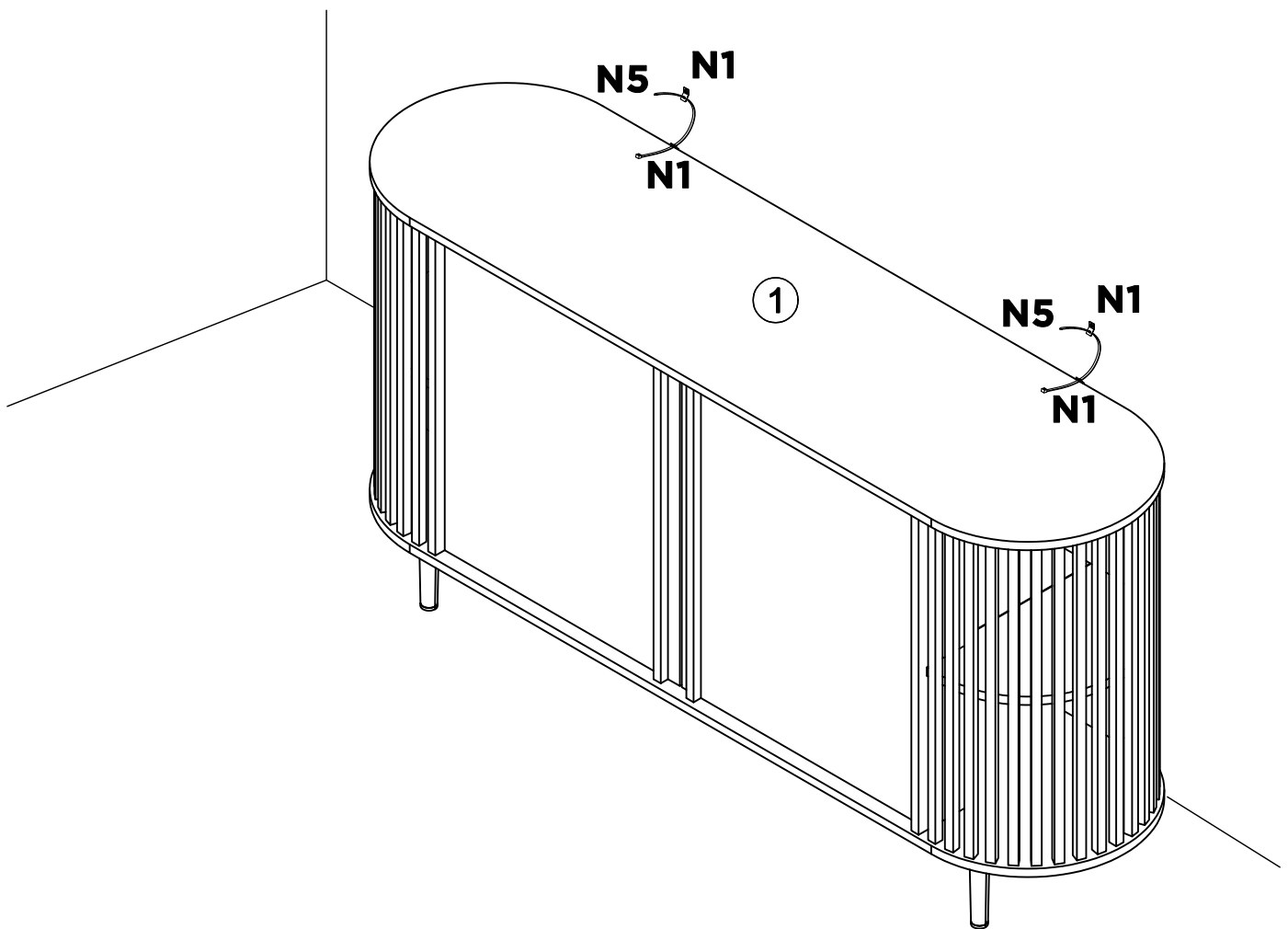
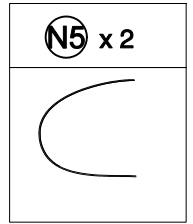
- Fix hardware N1 into panel 1 by using hardware N2.
- Mark and use the power drill to drill a hole on the wall. Hit hardware N3 into the wall.
- Assemble hardware N1 to N3 by using hardware N4.

N1 x 4	N2 x 2
	
N3 x 2	N4 x 2
	



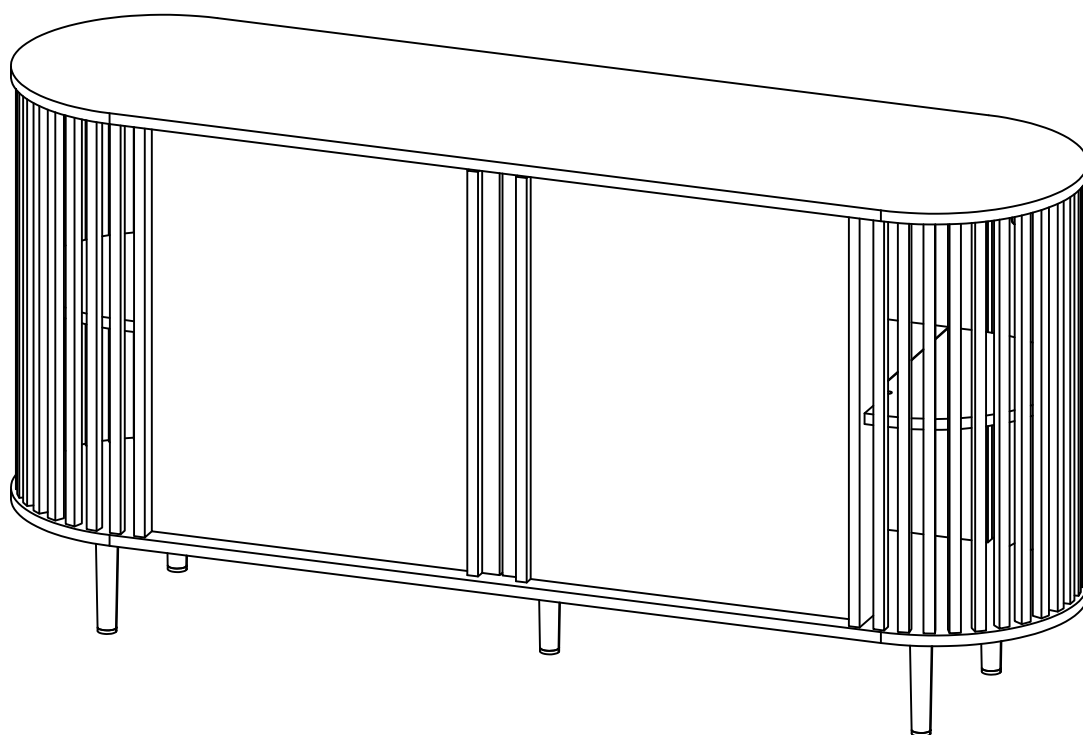
Step 14

-Connect both of the hardware N1 by using hardware N5. Tighten the hardware N5.



VOILA!

Now enjoy.



Warning

DO NOT stand on the product as this may damage the product and cause serious bodily injury.

Something not right?

We are always here to help.

We make mistake like every human does.

Though we always strive to provide the best possible product at competitive prices and the best service in the industry, it's not possible to completely eliminate mistakes. If you experience any dissatisfaction, feel free to contact us immediately. Our in-house customer care team will respond ASAP.



customerservice@luxenhome.com
Get response within 24 hrs



909.548.6688
Mon-Fri 9am-5pm PST/PDT



www.luxenhome.com/help
Submit a ticket on our website

Things to do to expedite the process

- Have your order# ready
- Take photos/videos to help us better identify the issues.
- DO NOT throw away the packaging

Happy with our product?

Leave us a review

It really help us as a small business

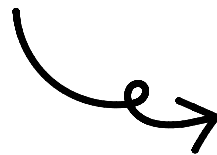
- Find the product you purchased on our website (tip: search by SKU) and leave us a review.
- Alternatively, you can always return to the marketplace where you purchased it and leave a review there.

Share with others

Our customers look for REAL stuff



- Follow us on IG @luxen.home
- Share your #liveluxen moments



**Please save this manual
for future refence.**