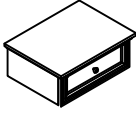

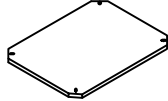
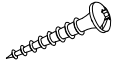




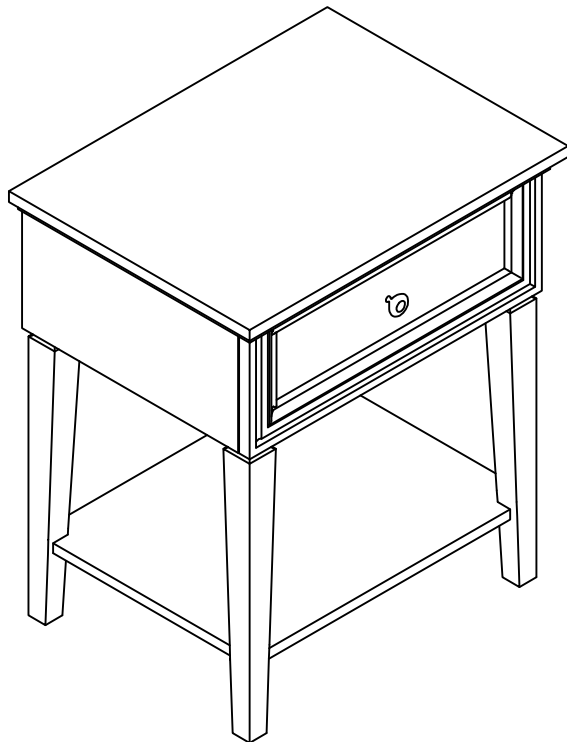


ASSEMBLY INSTRUCTIONS

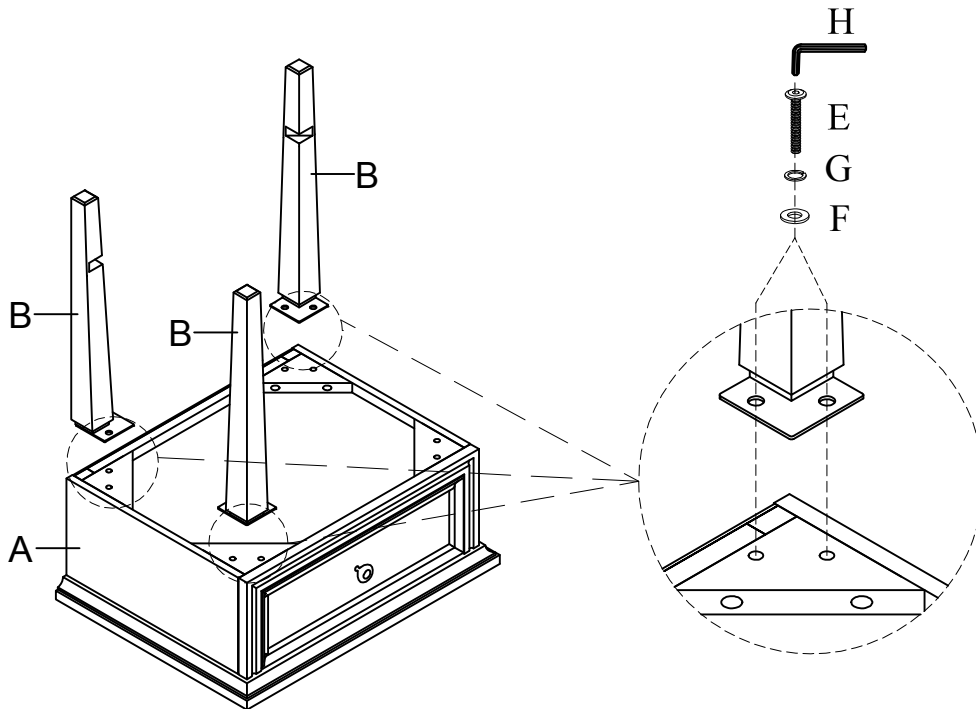
1 DRAWER NIGHTSTAND

A Nightstand  1 pc	B Leg  4 pcs	C Shelf  1 pc	D Screw #8 x 38mm  4 pcs
E Allen Bolt Ø5/16" x 20mm  8 pcs	F Flat Washer Ø5/16" x 19mm  8 pcs	G Lock Washer Ø5/16" x 14mm  8 pcs	H Allen Key 4mm  1 pc

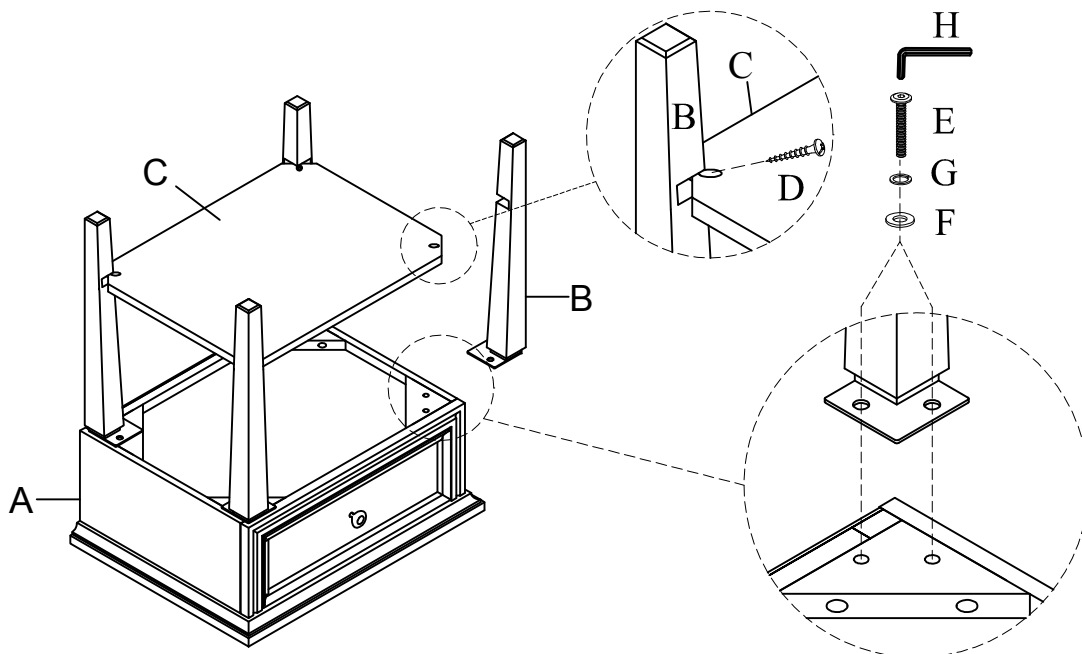


This page lists all the contents included in the box. Please take the time to identify the hardware as well as the individual components to this product. As you unpack and prepare for assembly, place the contents on a carpeted or padded area to protect them from damage.

- 1** Attach 3pcs of Leg (B) to the Nightstand (A) using Allen Bolt (E), Lock Washer (G) and Flat Washer (F) with the Allen Key (H).



- 2** (1) Attach the Shelf (C) to the Leg (B) using Screw (D) with a screwdriver (not provided).
(2) Attach the last Leg (B) to the Nightstand (A) and the Shelf (C).



Cleaning & Care

Treat surfaces with care. Surfaces are resistant to scratches but are not scratch resistant. Clean surfaces with a dry or damp soft cloth. Do not use abrasive cleaners. Hardware may loosen over time. Periodically check that all connections are tight.