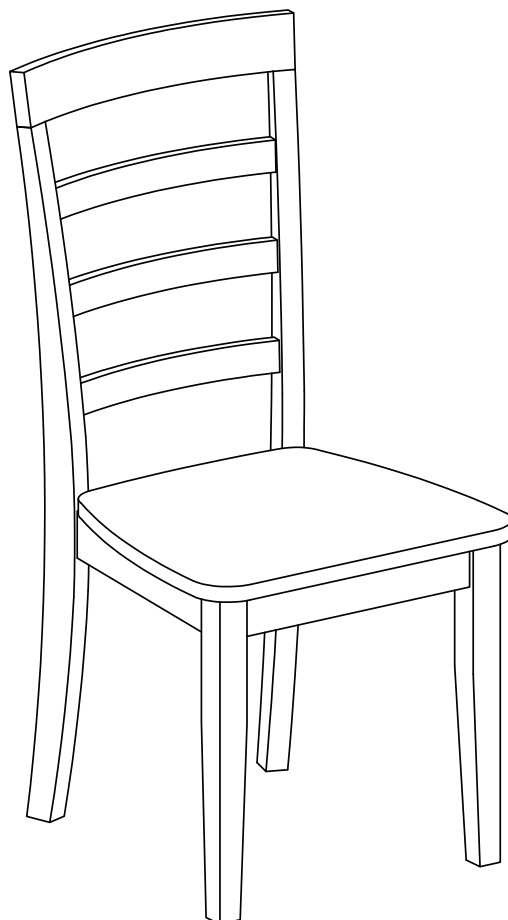


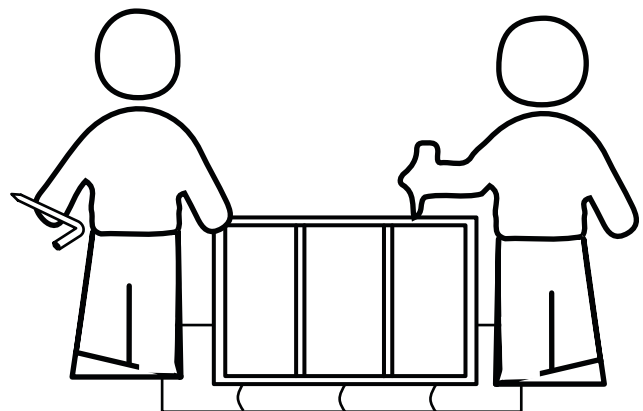
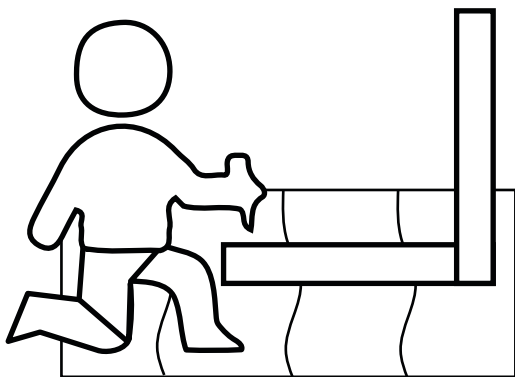
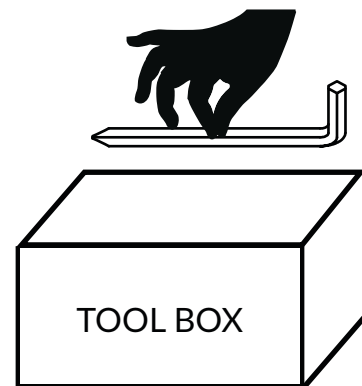
ASSEMBLY INSTRUCTIONS

DINING CHAIR

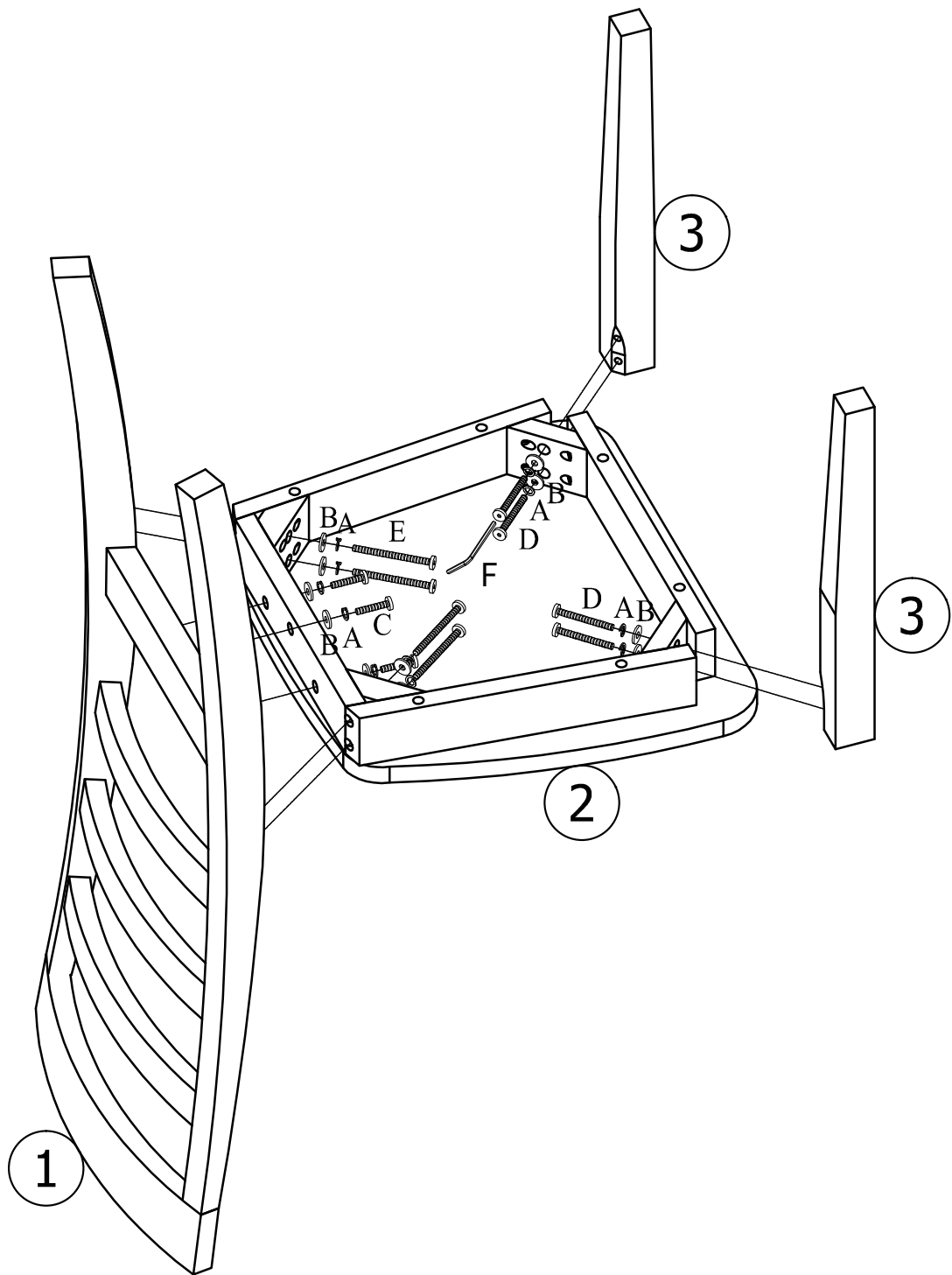


Weight Capacity

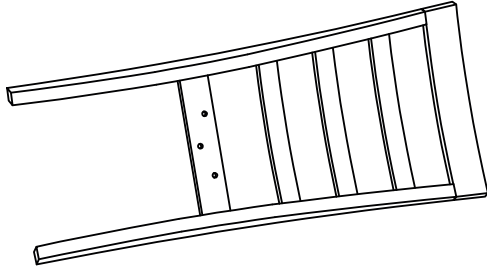
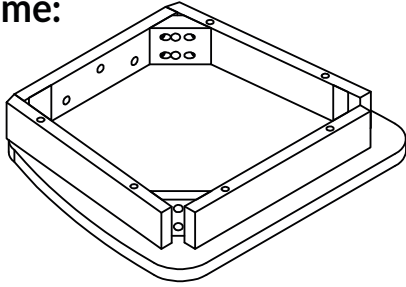
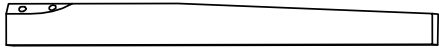
- All required tools for assembly are included unless noted.
- Locate and inspect all parts for missing items or damage prior to assembly.
- Do not dispose of packing materials until assembly is completed.
- Assemble item on a soft, clean surface to prevent damage to the item.
- Proper assembly requires 2 people.




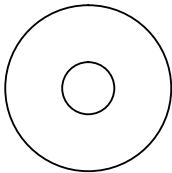
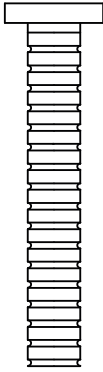
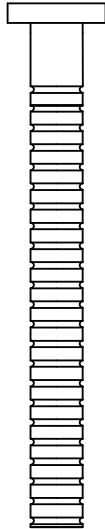
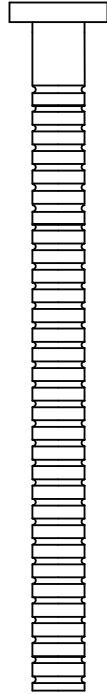

Assembly Overview



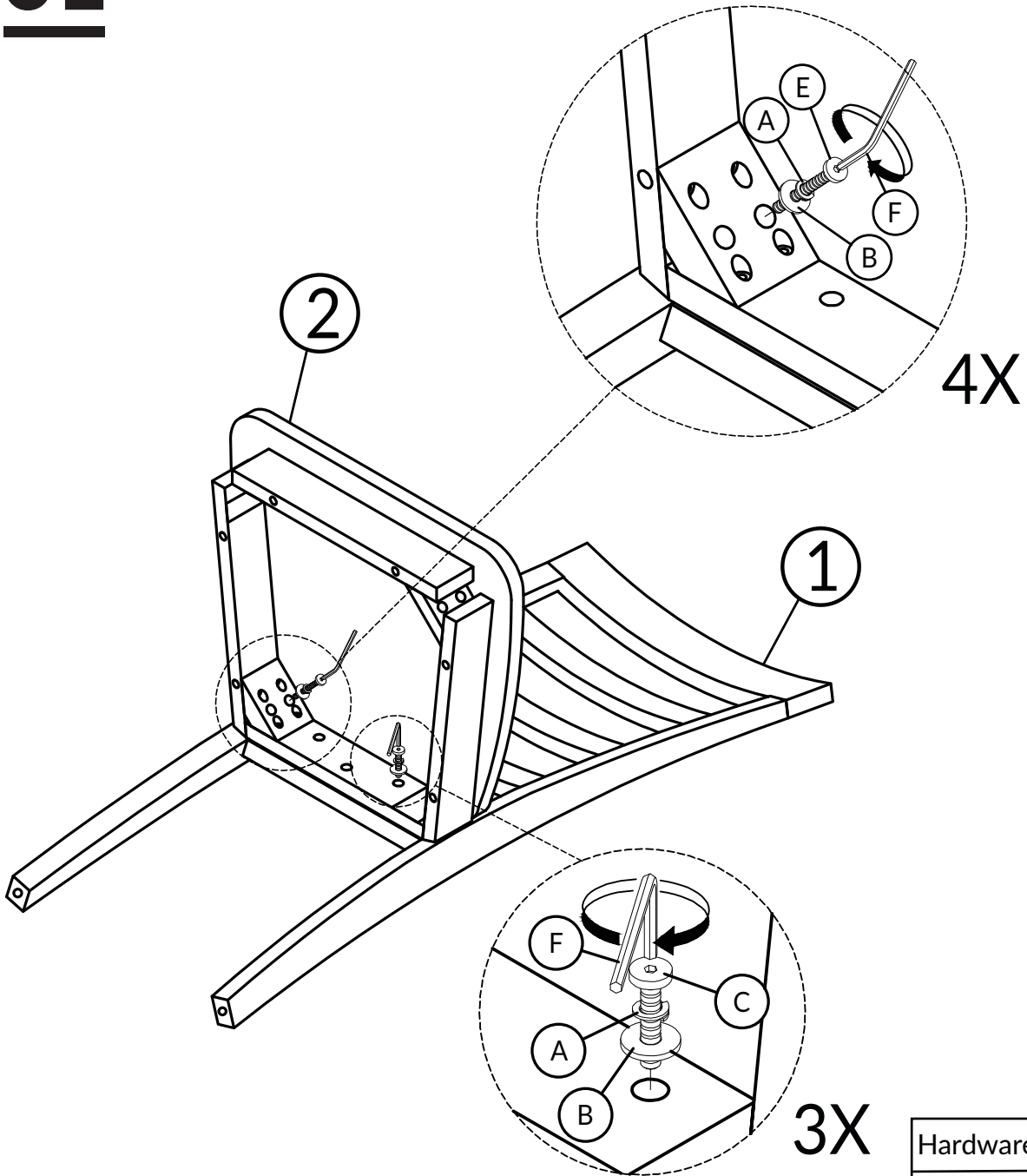
PARTS

① (x1)	
Chair Back: 	
② (x1)	③ (x2)
Seat Frame: 	Leg: 

HARDWARE

Ⓐ (x11)	Ⓑ (x11)	Ⓒ (x3)	Ⓓ (x4)	Ⓔ (x4)	Ⓕ (x1)
					
Spring Washer	Flat Washer	Bolt M6x40	Bolt M6x60	Bolt M6x80	Allen Wrench

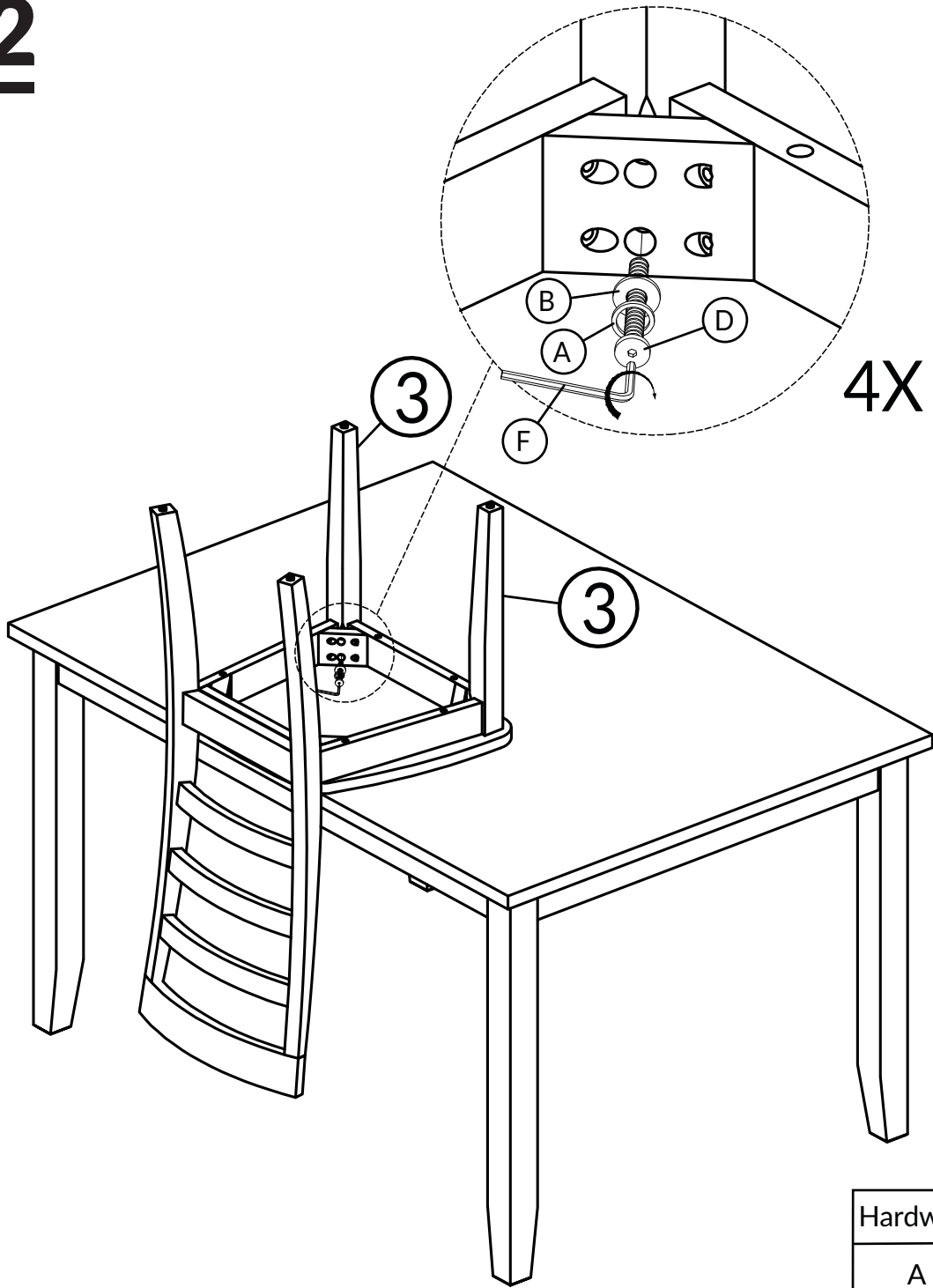
01



Hardware	Count
A	7
B	7
C	3
E	4
F	1

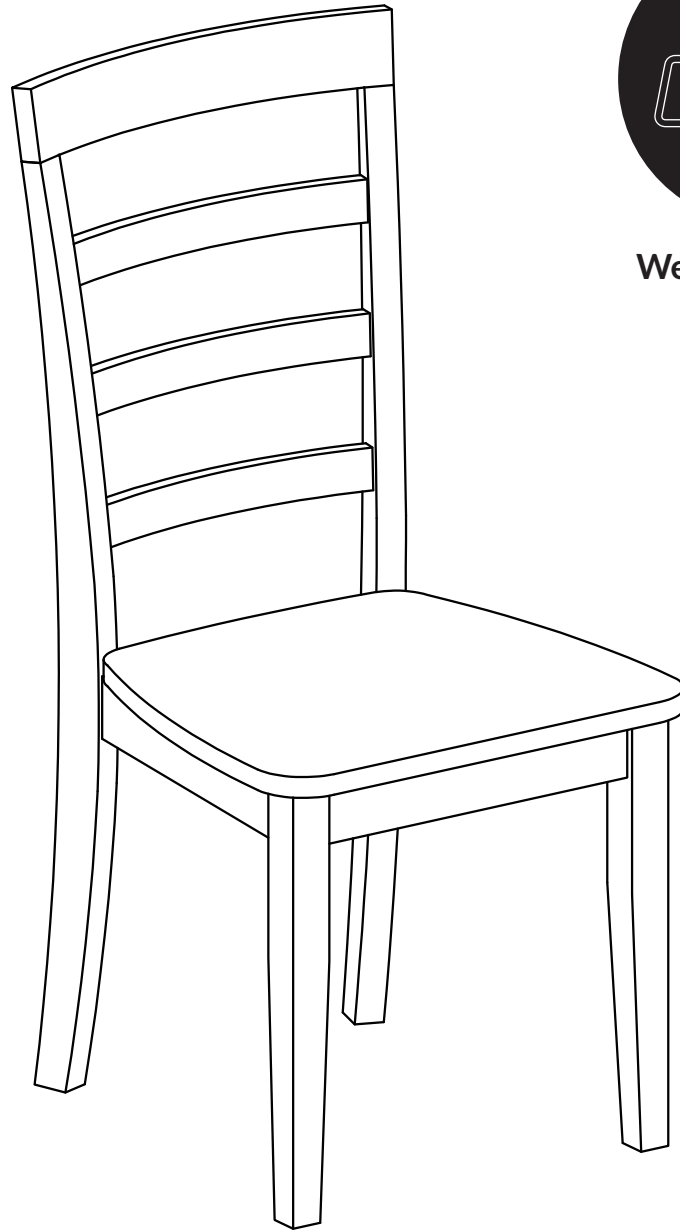
TIGHTEN BOLT COMPLETELY.

02



Hardware	Count
A	4
B	4
D	4
F	1

TIGHTEN BOLT COMPLETELY.



Weight Capacity

BE SURE TO CHECK ALL BOLTS ARE SECURELY TIGHTENED PRIOR TO USE.