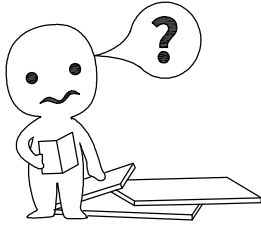
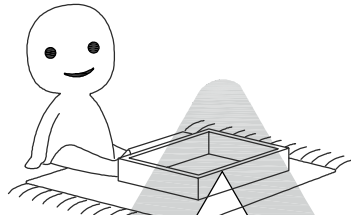
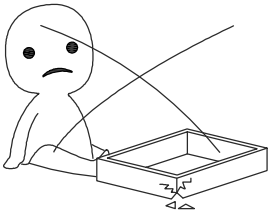


NOTE: Please contact us in time. If you find any accessories missing or damaged in the package, we will send you the corresponding accessories for free.



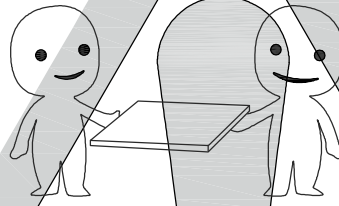
IMPORTANT INFORMATION!

please read the entire manual before starting to assemble and/or using this product. follow the manual thoroughly and keep it for further reference.



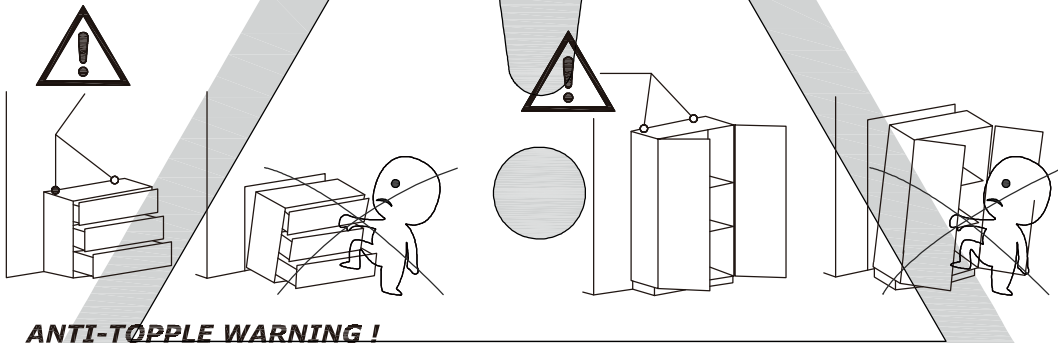
AVOID SCRATCHES!

In order to avoid scratching this furniture should be assembled on a soft layer-could be a rug.



IMPROVE EFFICIENCY !

Try to find a partner to install with you, which can speed up the installation efficiency and shorten the time.



ANTI-TOPPLE WARNING !

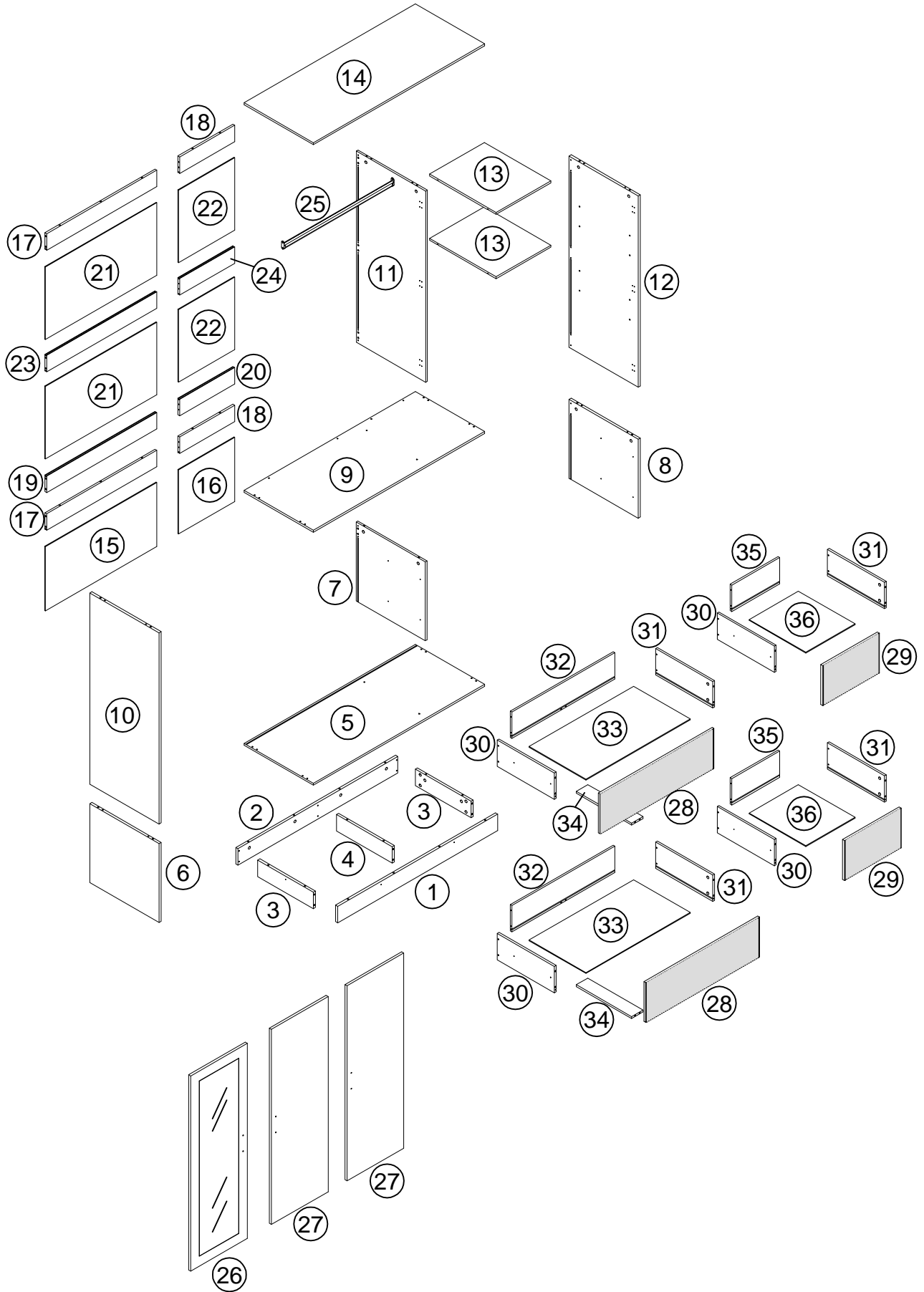
Overtipped furniture can cause serious or fatal crush injuries. To prevent tipping over, be sure to use the wall attachment, if not included with this product. Please purchase the wall attachment that fit your wall. If unsure, seek professional advice. Please read and follow each step of the instructions carefully.

IMPORTANT !

It is important that any product which is assembled using any kind of screw is re-tightened 2 weeks after assembly, and once every 3 months - in order to assure stability through-out the lifespan of the product.

For regular maintenance and cleaning of the product, for the frame, please use a rag dipped in neutral detergent to fully wipe it, and then dry it with a clean rag. For glass materials, wipe with a rag dampened with water glass cleaner, and then dry with a dry rag.

Do not use an electric screwdriver, and do not use too much force when installing, because the board is easy to break.



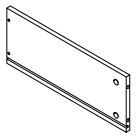

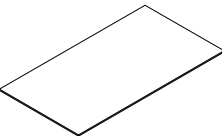
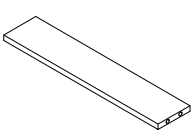
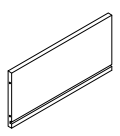


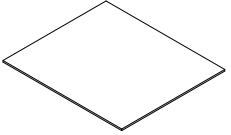
TTR0054-A/TTR0054-B




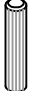




P4

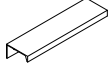
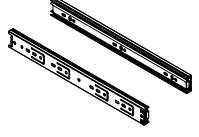
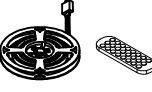




<p>1 1PCS</p>	<p>2 1PCS</p>	<p>3 2PCS</p>	<p>4 1PCS</p>	<p>5 1PCS</p>
<p>6 1PCS</p>	<p>7 1PCS</p>	<p>8 1PCS</p>	<p>9 1PCS</p>	<p>10 1PCS</p>
<p>11 1PCS</p>	<p>12 1PCS</p>	<p>13 2PCS</p>	<p>14 1PCS</p>	<p>15 1PCS</p>
<p>16 1PCS</p>	<p>17 2PCS</p>	<p>18 2PCS</p>	<p>19 1PCS</p>	<p>20 1PCS</p>
<p>21 2PCS</p>	<p>22 2PCS</p>	<p>23 1PCS</p>	<p>24 1PCS</p>	<p>25 1PCS</p>
<p>26 1PCS</p>	<p>27 2PCS</p>	<p>28 2PCS</p>	<p>29 2PCS</p>	<p>30 4PCS</p>


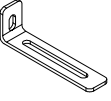



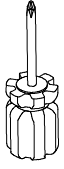


31  4PCS	32  2PCS	33  2PCS	34  2PCS	35  2PCS
---	---	---	--	---

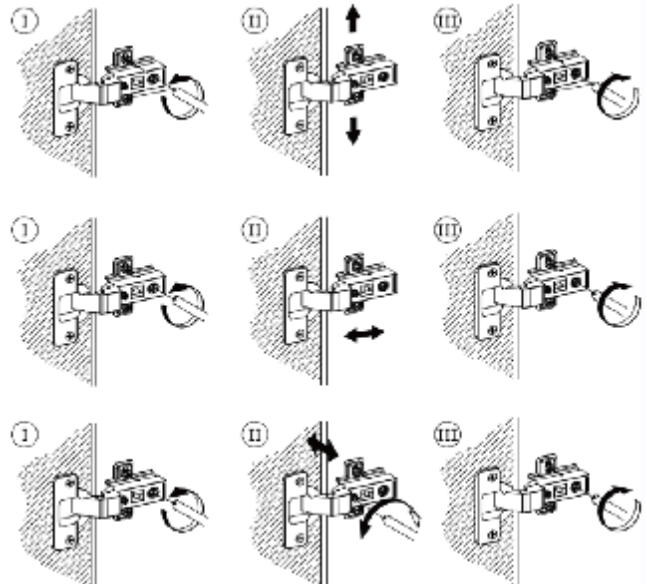
36  2PCS				
---	--	--	--	--

A M5*42  92 PCS	B Ø15*10  92 PCS	C M5*40  44 PCS	D Ø6*40  18 PCS	E Ø6  8 PCS	F  9 PCS	G  2 PCS	H  3 PCS
--	---	--	--	--	---	---	---

J  6 PCS	K 3508 14"  4 SETS	L  1 SETS	M  4 PCS	N M3.5*14  76 PCS	P M4*18  6PCS	Q M3.5*12  38 PCS
---	---	--	---	--	--	--

R  18 PCS	S  2 PCS	Ø8*60  2 PCS	M5*55  2 PCS	T M3.5*12  12 PCS	 1 PCS		
--	---	---	---	--	--	--	--

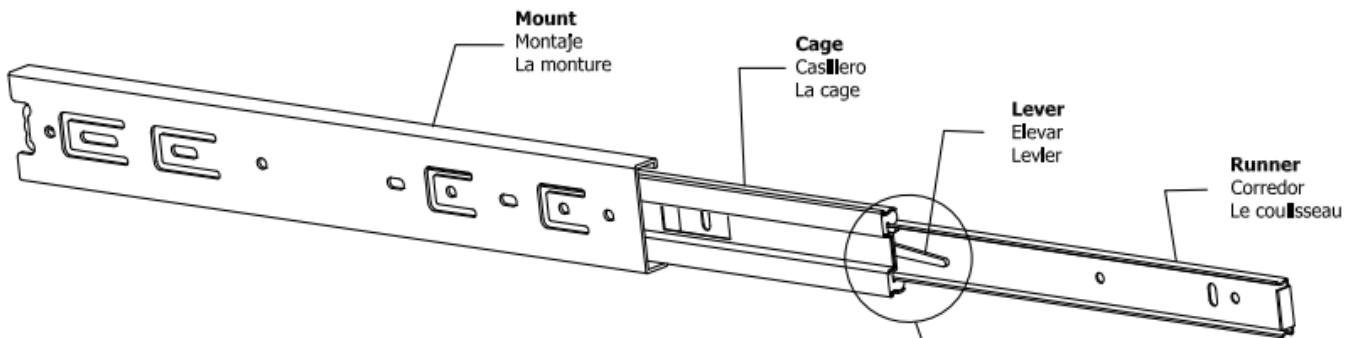
Hinge adjustment method



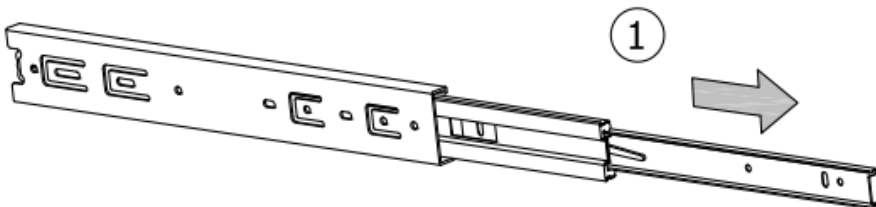
**Slides Must Be Separated Before Assembly.
After Separated, Set Aside Until Needed for Assembly.**

Las diapositivas deben separarse antes del montaje.
Después de la separación, déjelo a un lado hasta que sea necesario.

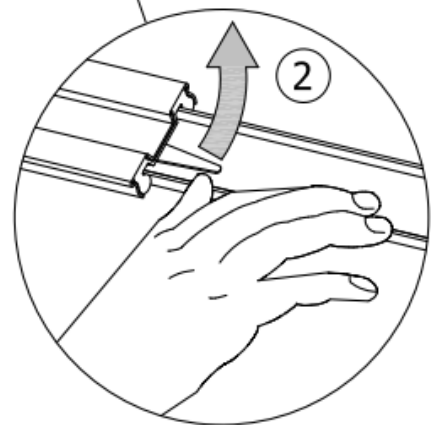
Les glissières doivent être séparées avant l'assemblage.
Après la séparation, mettez de côté jusqu'au moment de l'assemblage.



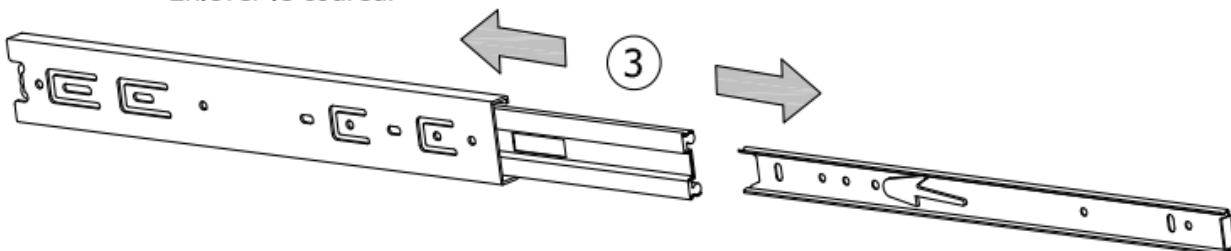
STEP 1: Extend Slide
Extender la diapositiva
Extendre la diapositive



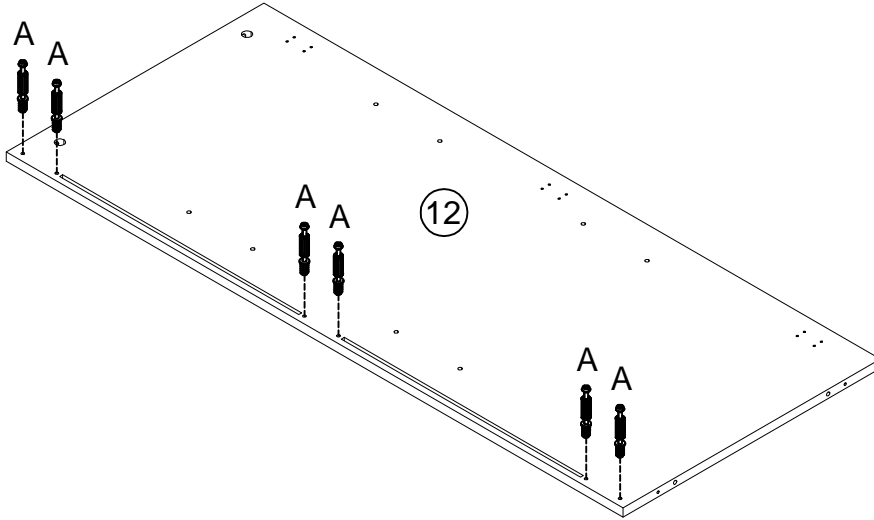
STEP 2: Push Lever UP
Empujar hacia arriba
Levier le levier



STEP 3: Remove Runner
Quitar el corredor
Enlever le coureur



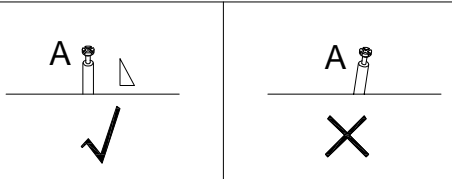
1



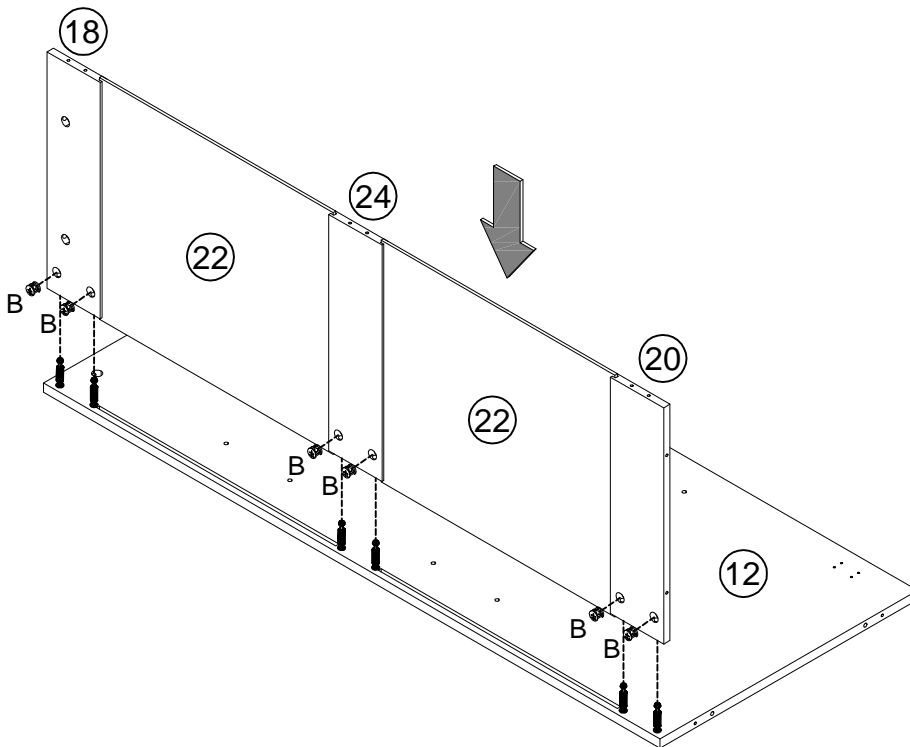
A M5*42



6 PCS



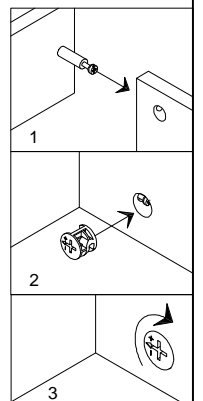
2



B Ø15*10

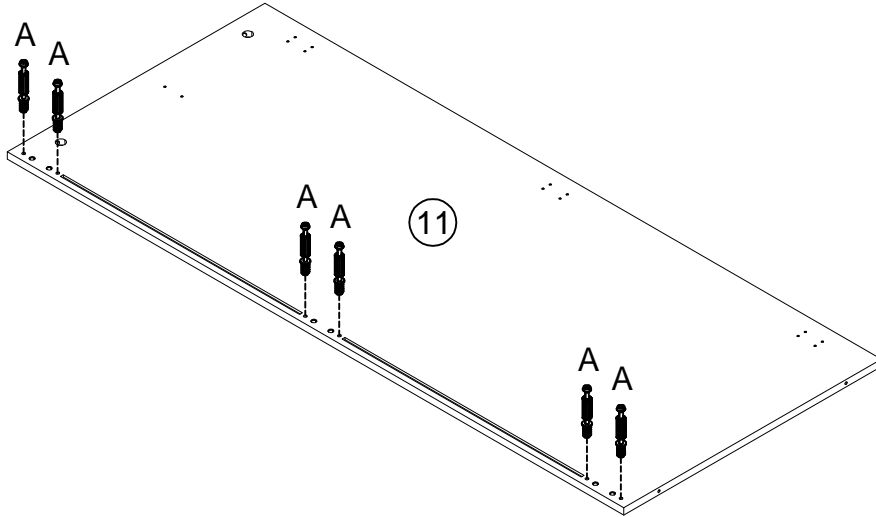


6 PCS





3

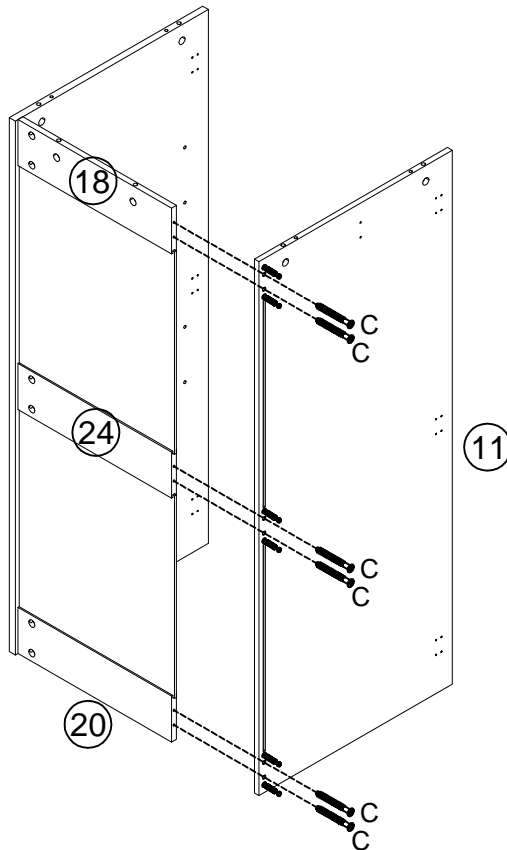


A M5*42



6 PCS

4

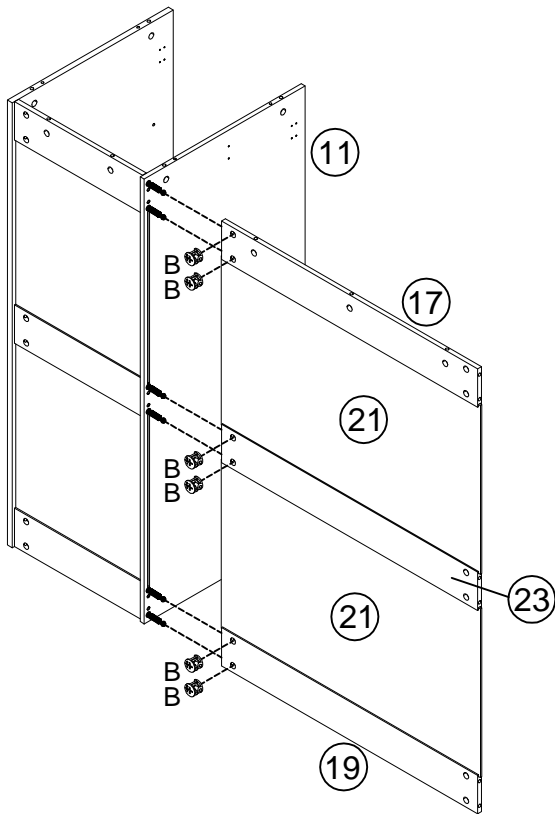




C M5*40

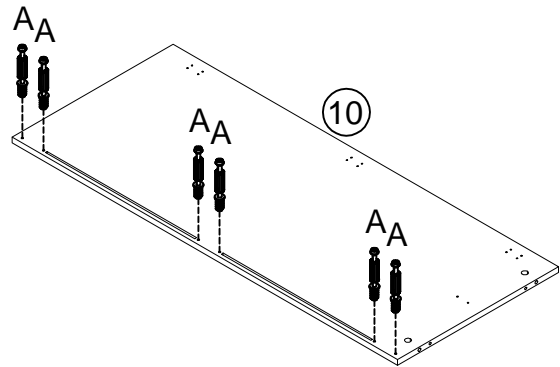


6 PCS

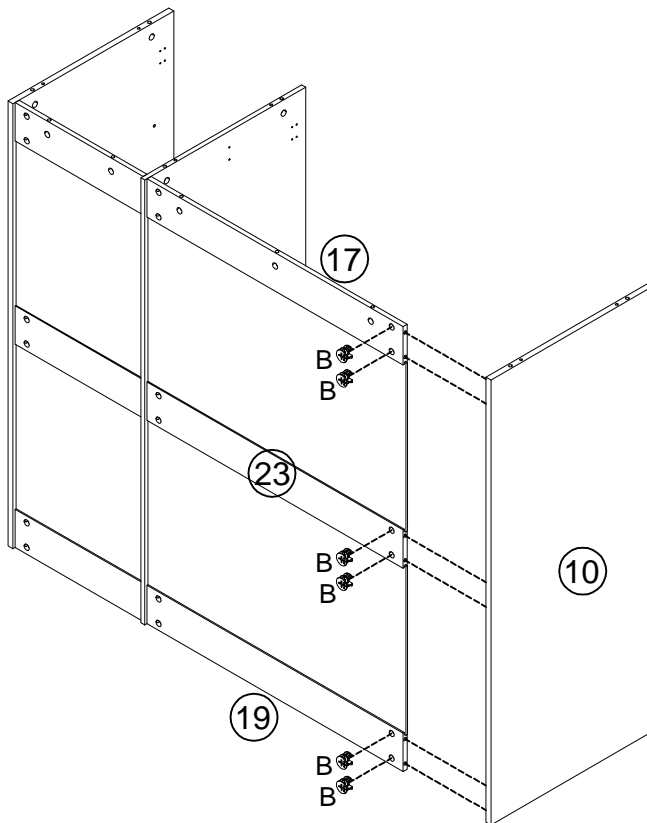
5





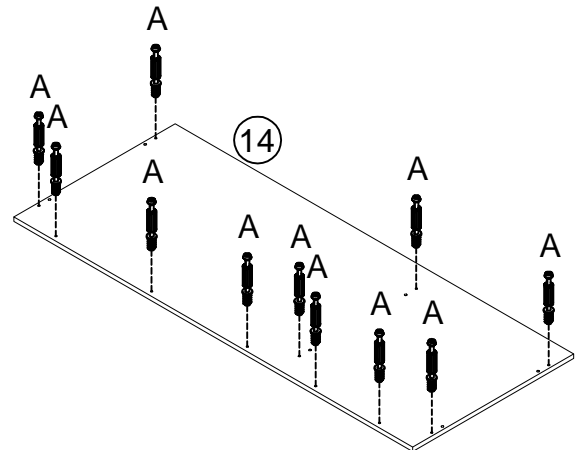
A M5*42	B Ø15*10
	
6 PCS	6 PCS



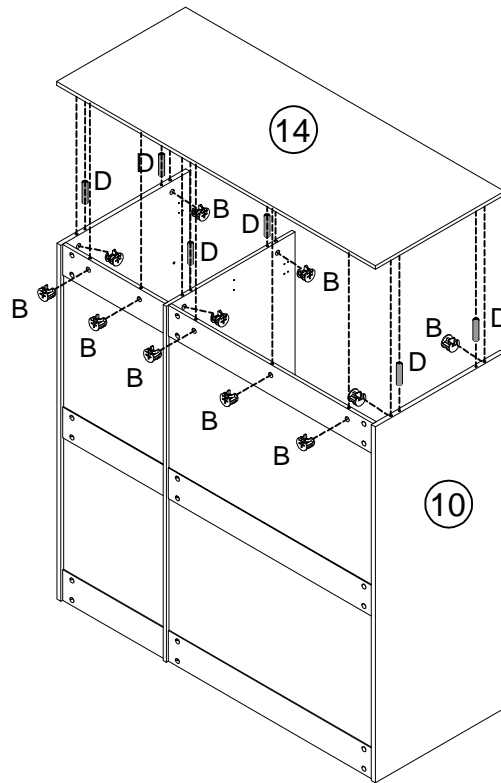
6



A M5*42	B Ø15*10
	
11 PCS	6 PCS



7

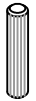


B Ø15*10



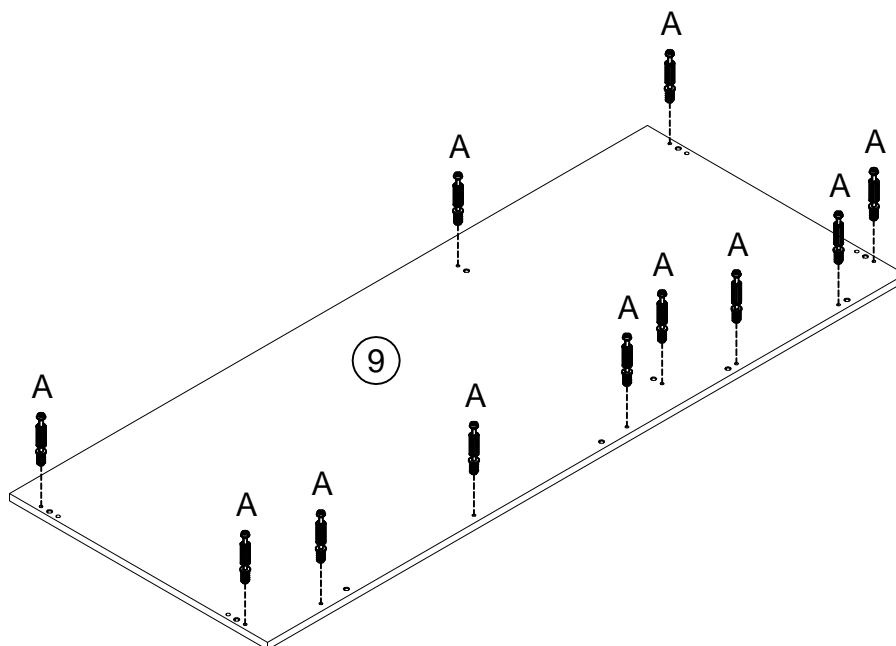
11 PCS

D Ø6*40



6 PCS

8

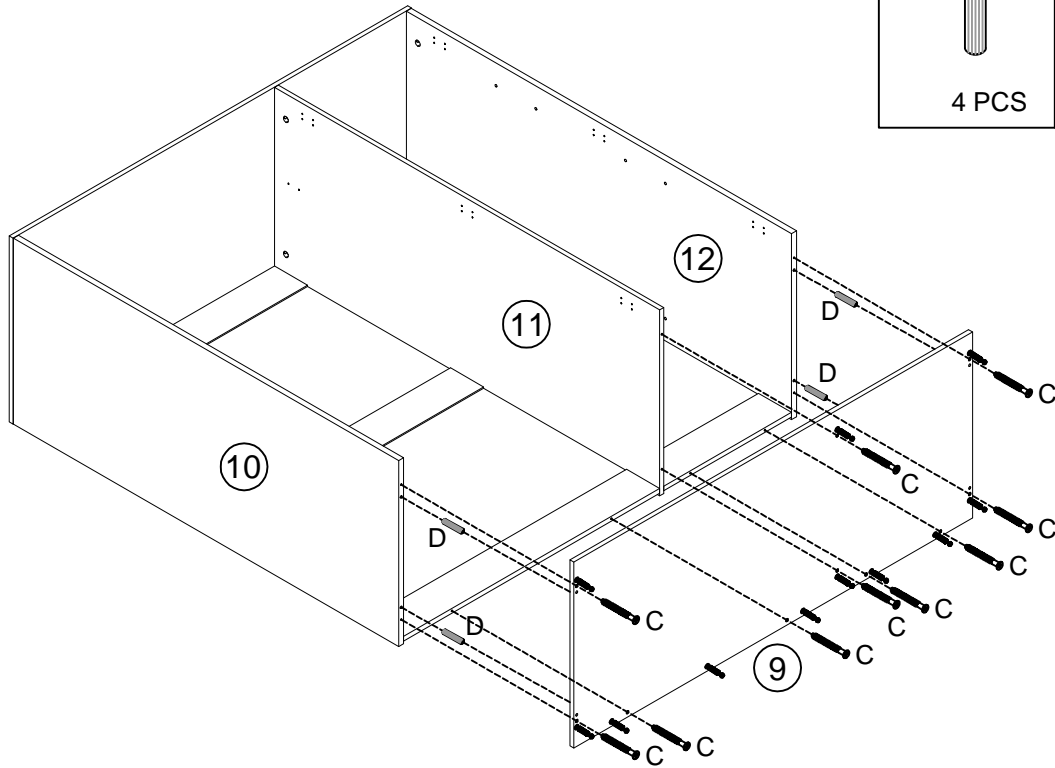


A M5*42



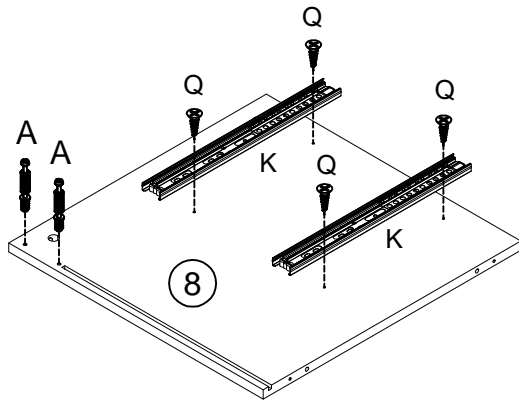
11 PCS

9



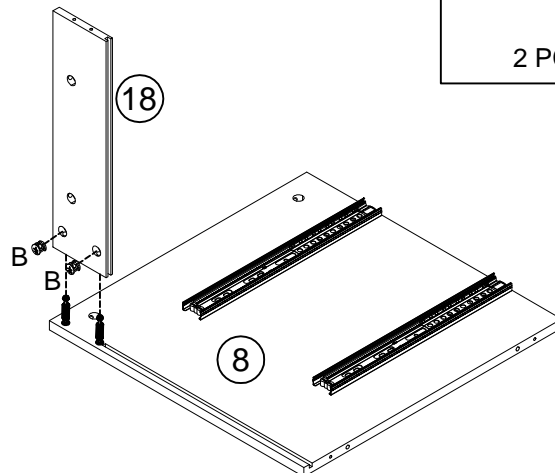
D	Ø6*40	C	M5*40
4 PCS		10 PCS	

10

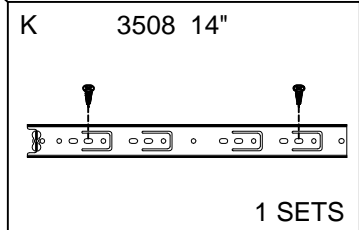
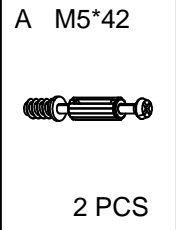
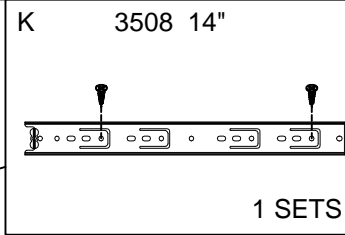
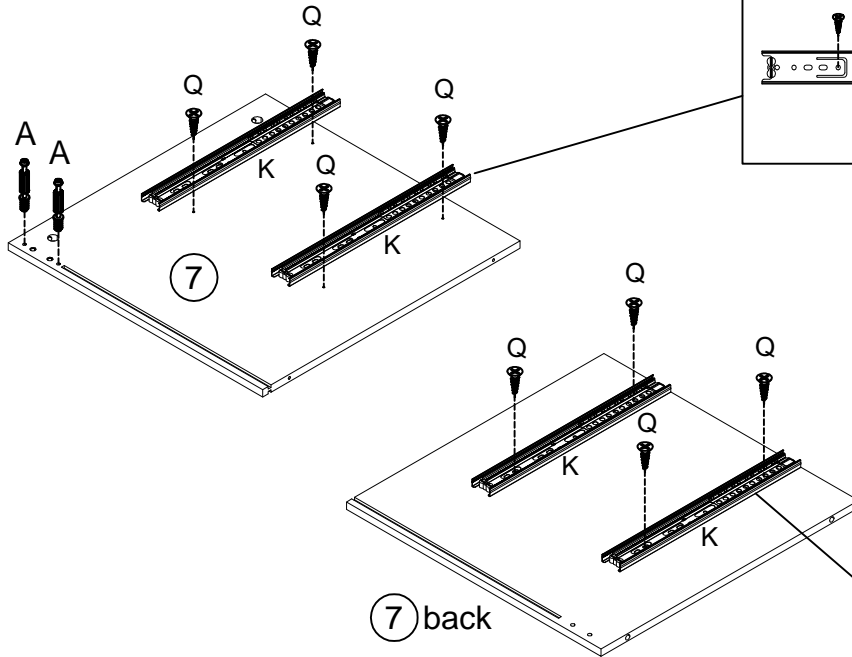


K	3508 14"	Q	M3.5*12
1 SETS		4 PCS	

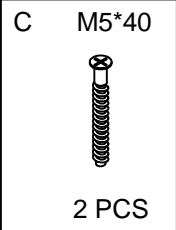
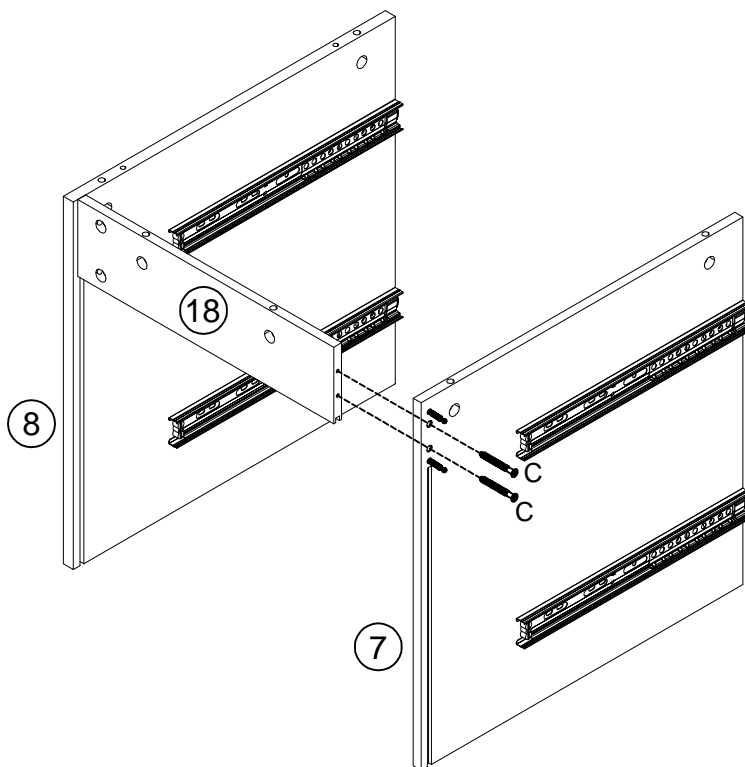
A	M5*42	B	Ø15*10
2 PCS		2 PCS	



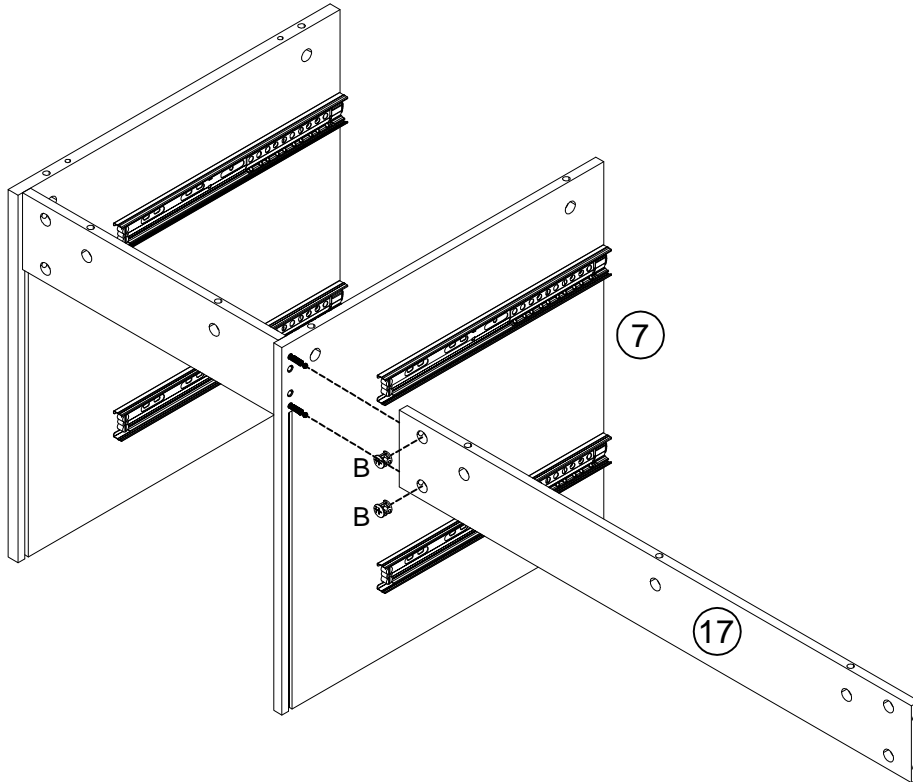
11



12



13

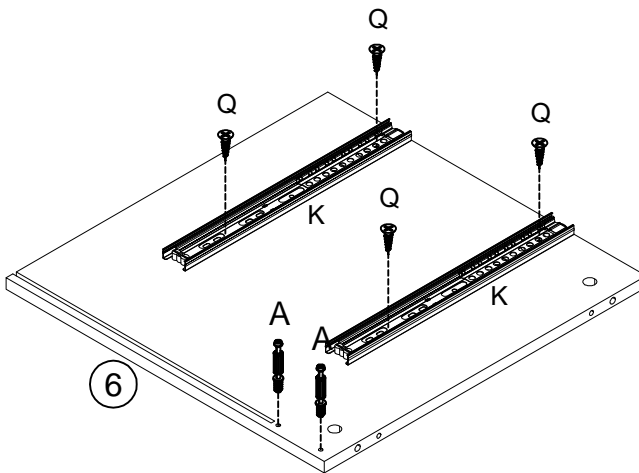


B Ø15*10



2 PCS

14



K 3508 14"



1 SETS

Q M3.5*12

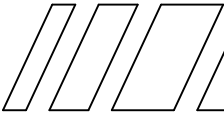


4 PCS

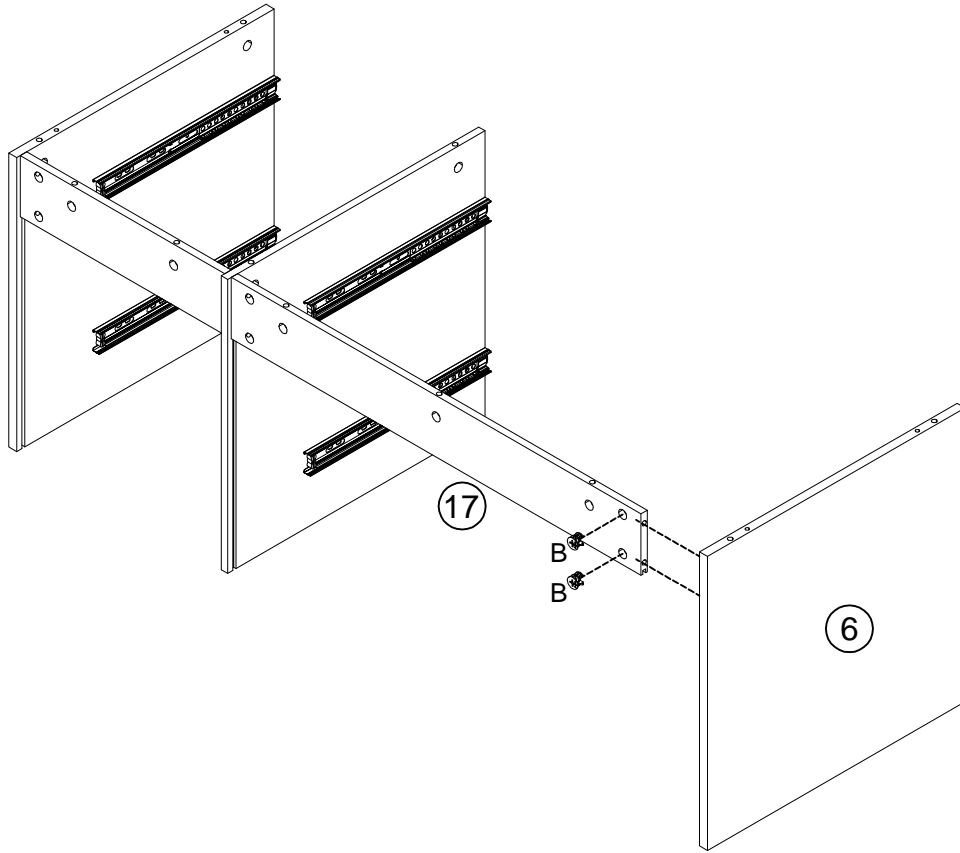
A M5*42



2 PCS



15

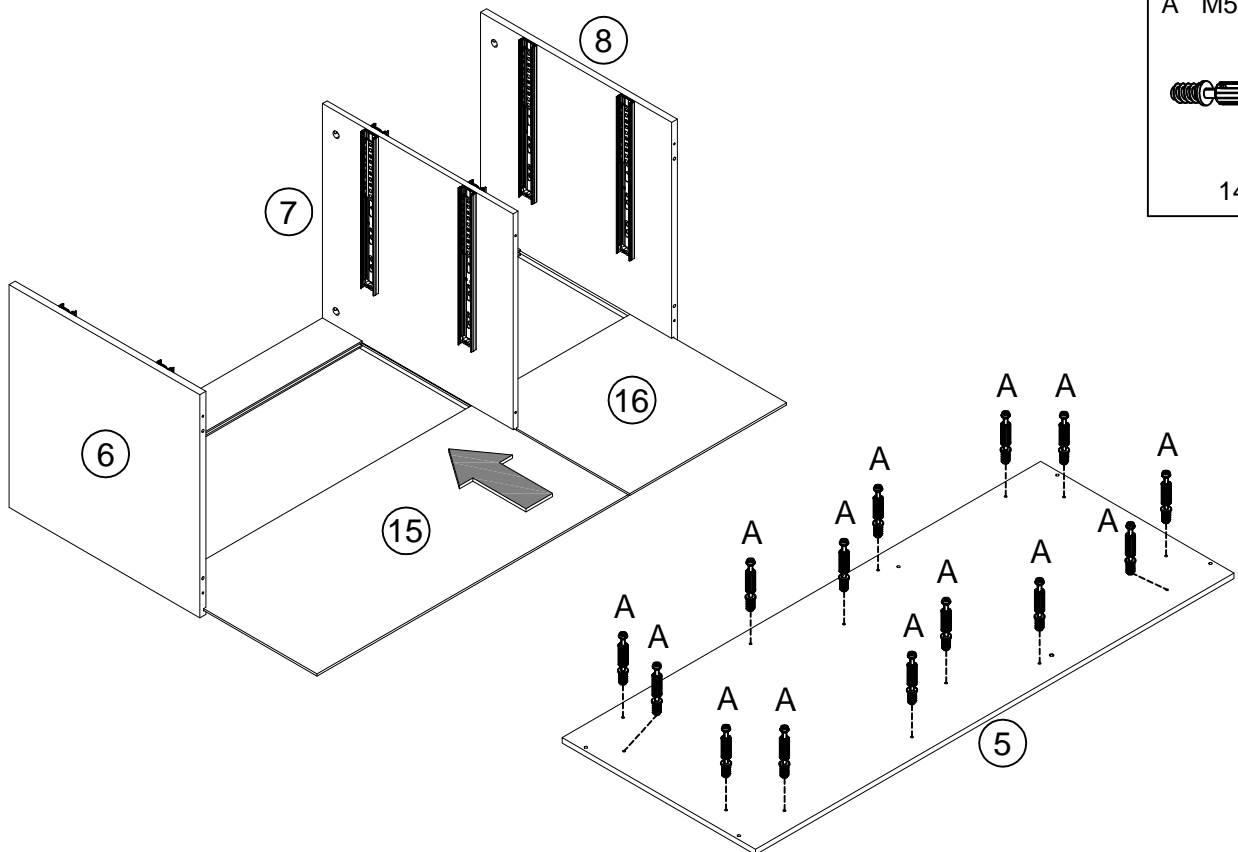


B Ø15*10



2 PCS

16

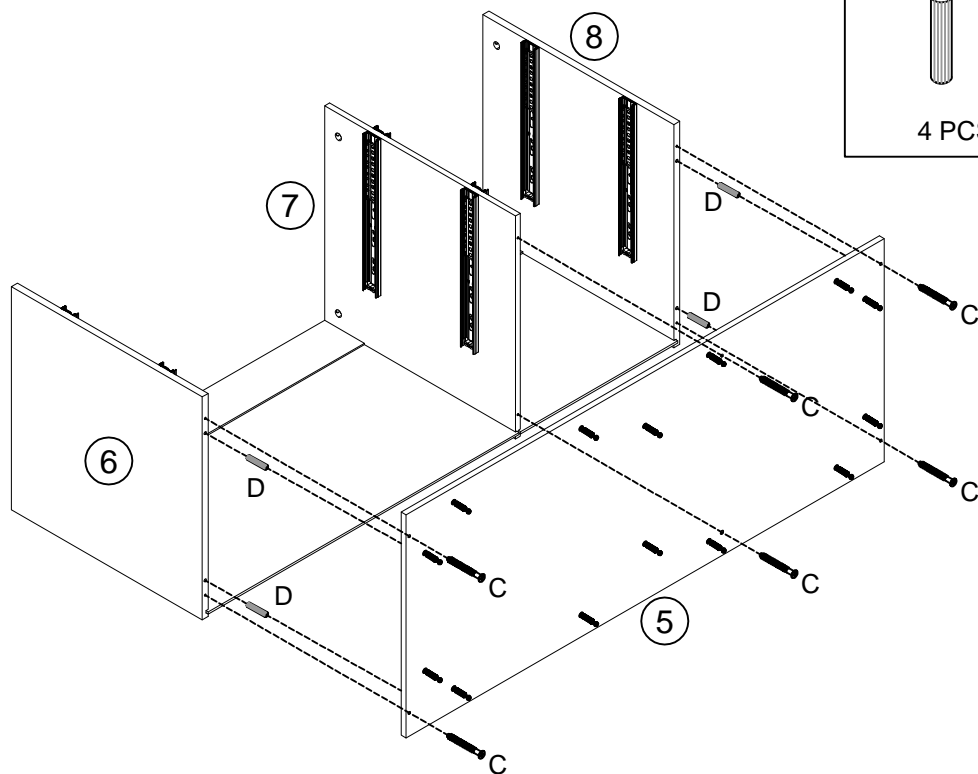




A M5*42



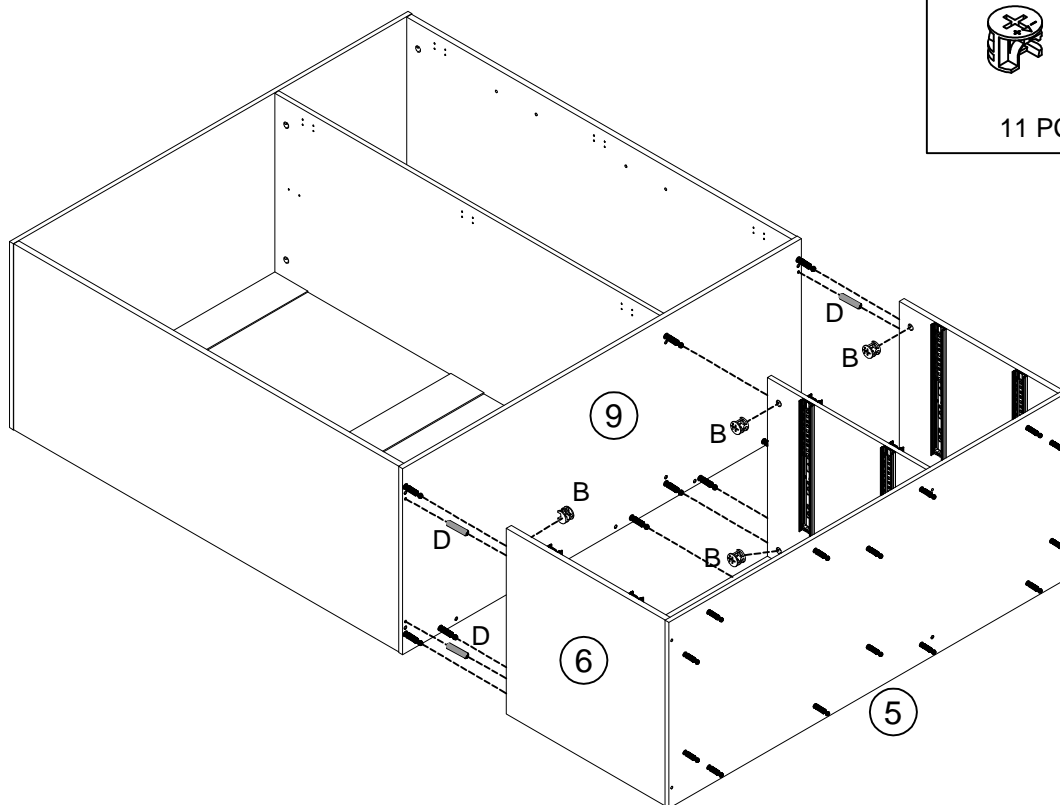
14 PCS


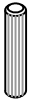
17



D	Ø6*40	C	M5*40
			
	4 PCS		6 PCS

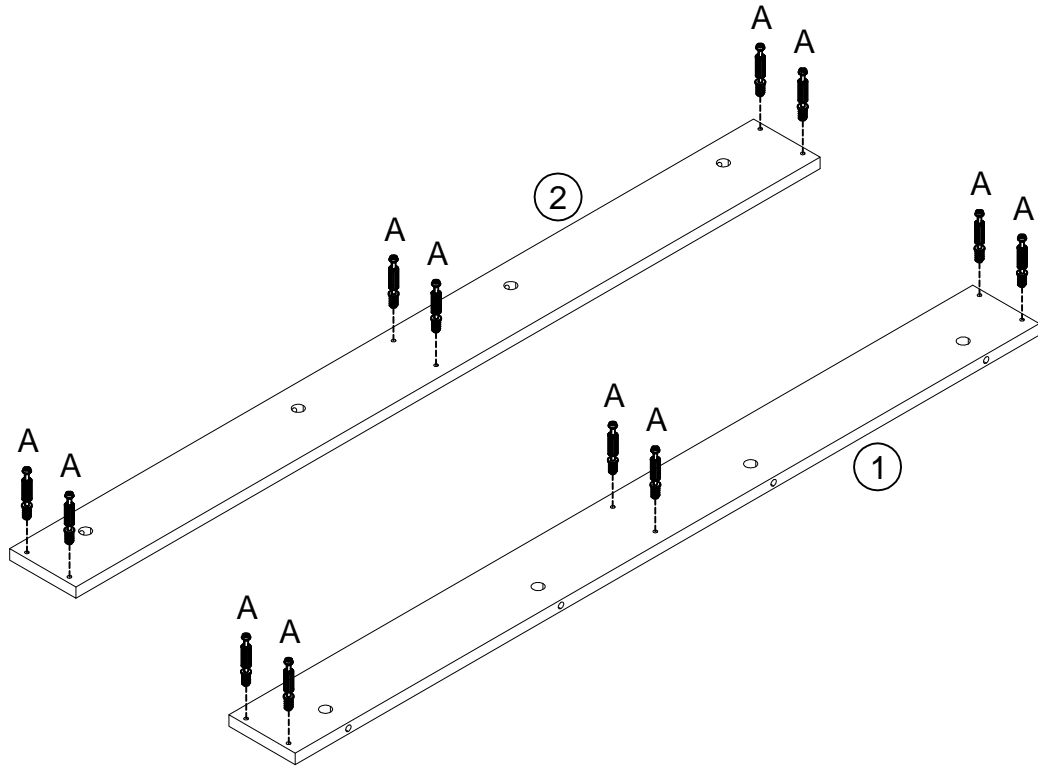
18



B	Ø15*10	D	Ø6*40
			
	11 PCS		4 PCS



19

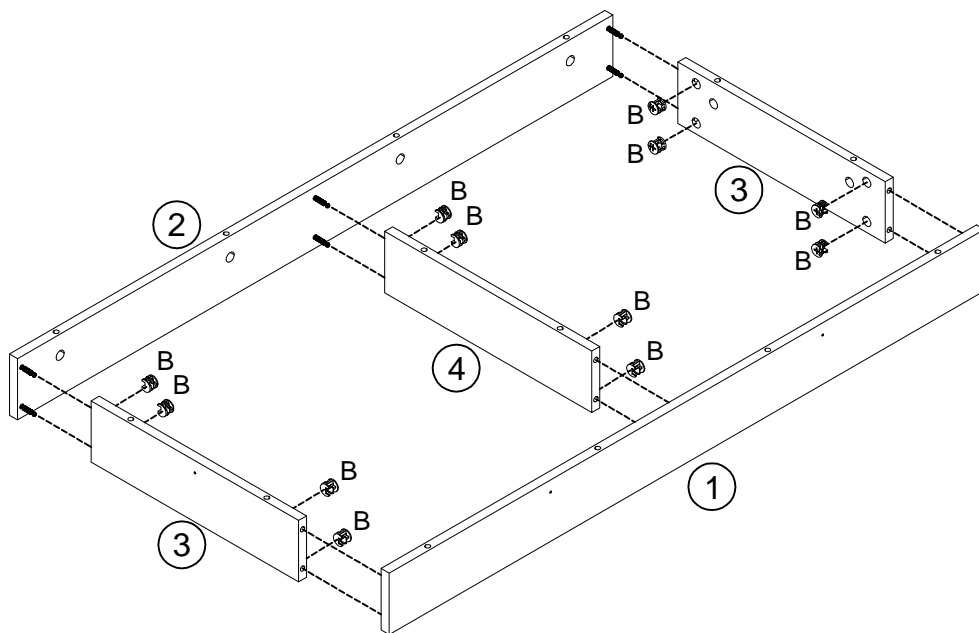


A M5*42



12 PCS

20



B Ø15*10



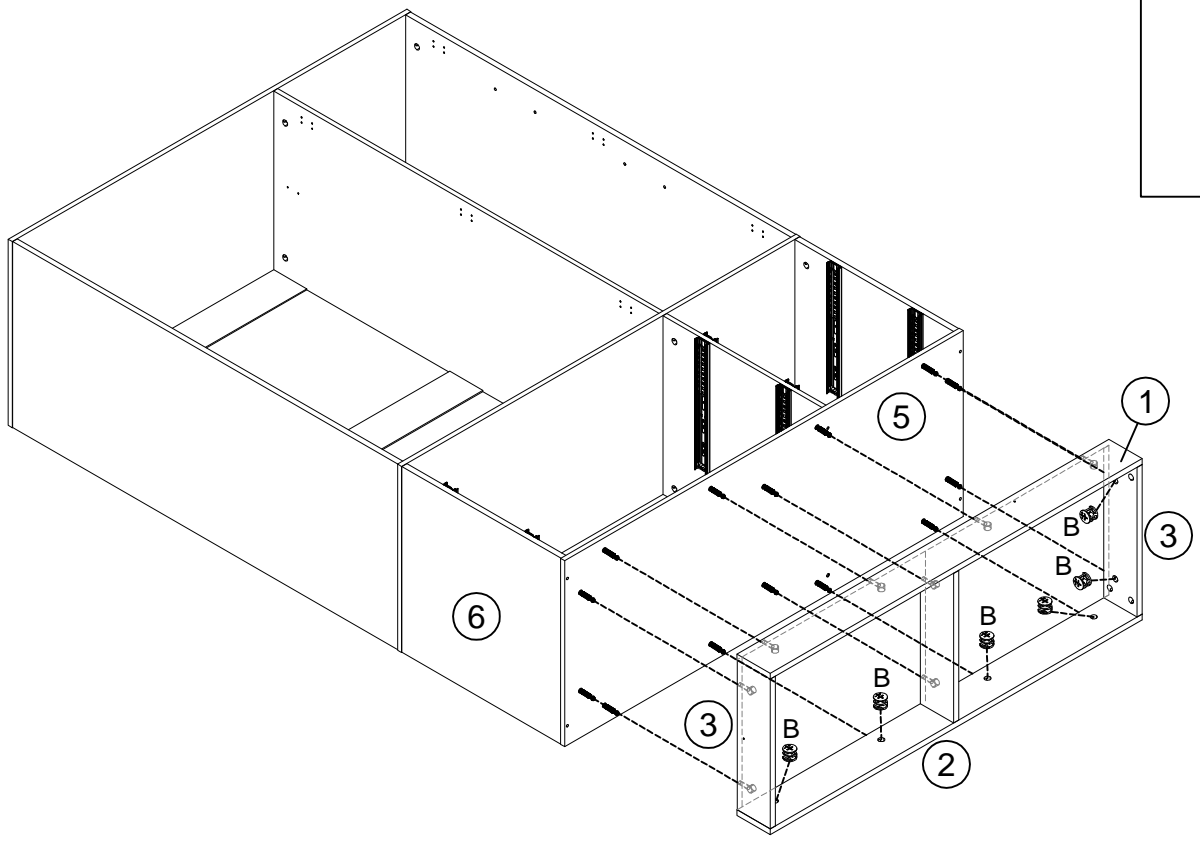
12 PCS

21

B Ø15*10



14 PCS



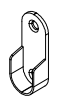
22

Q M3.5*12

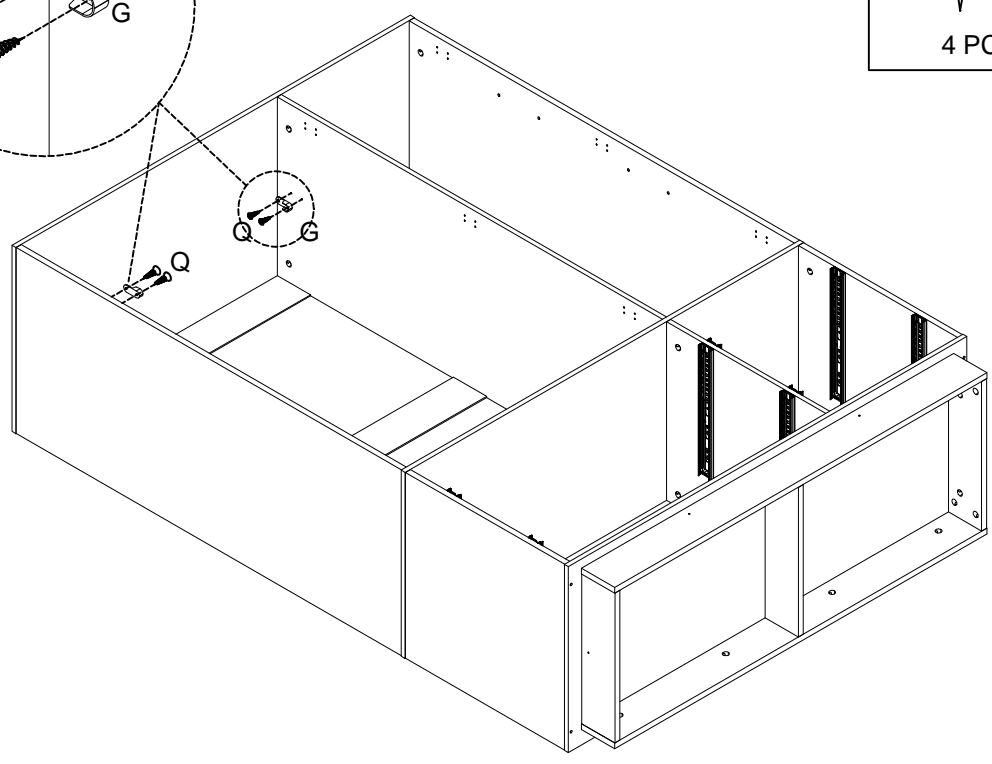
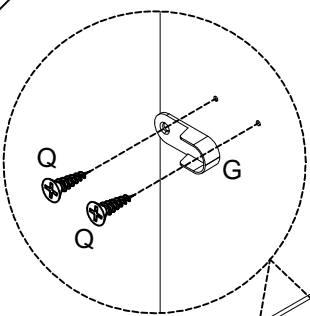
G



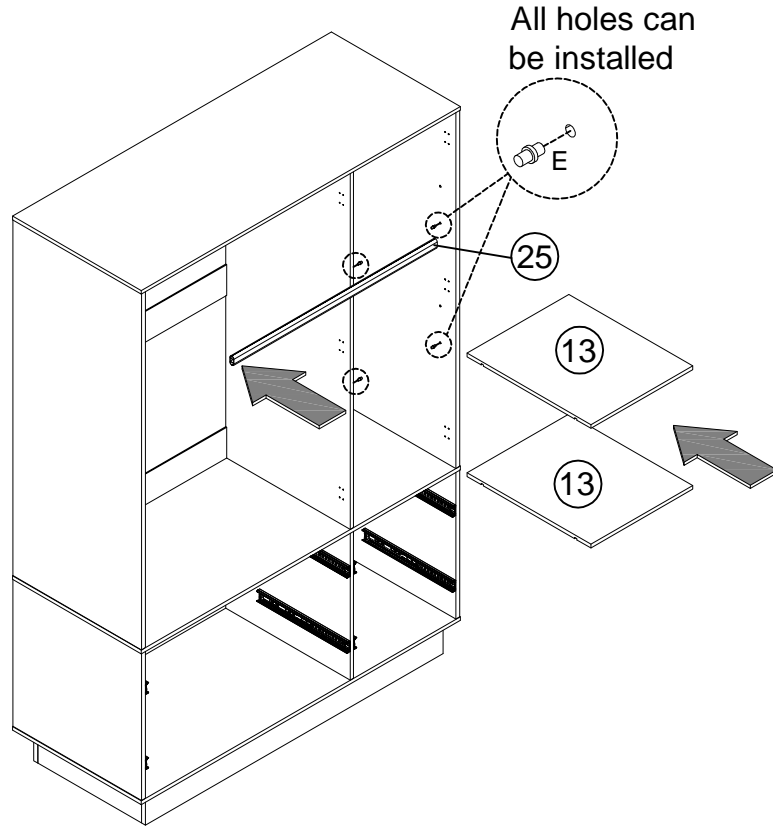
4 PCS



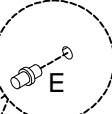
2 PCS



23



All holes can be installed



25

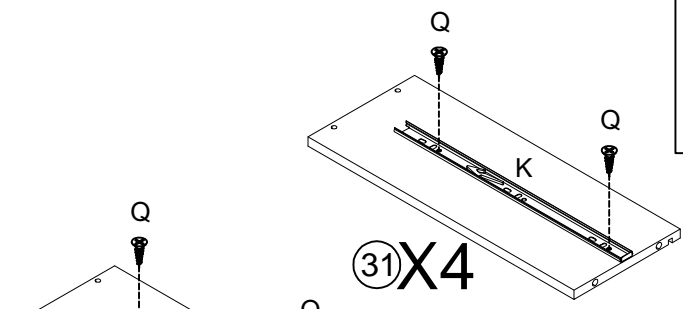
13

13

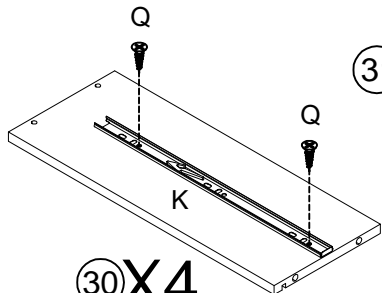
E Ø6

8 PCS

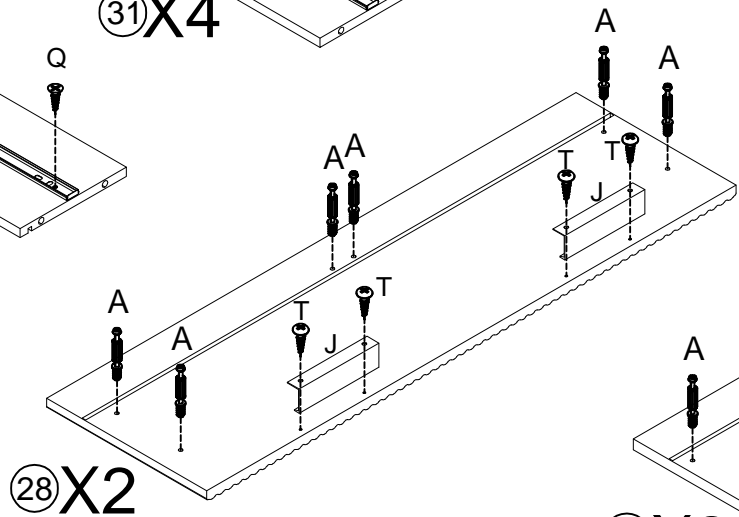
24



31 X4



30 X4



28 X2

29 X2

A M5*42

20 PCS

K 3508 14"

4 SETS

Q M3.5*12

16 PCS


T M3.5*12

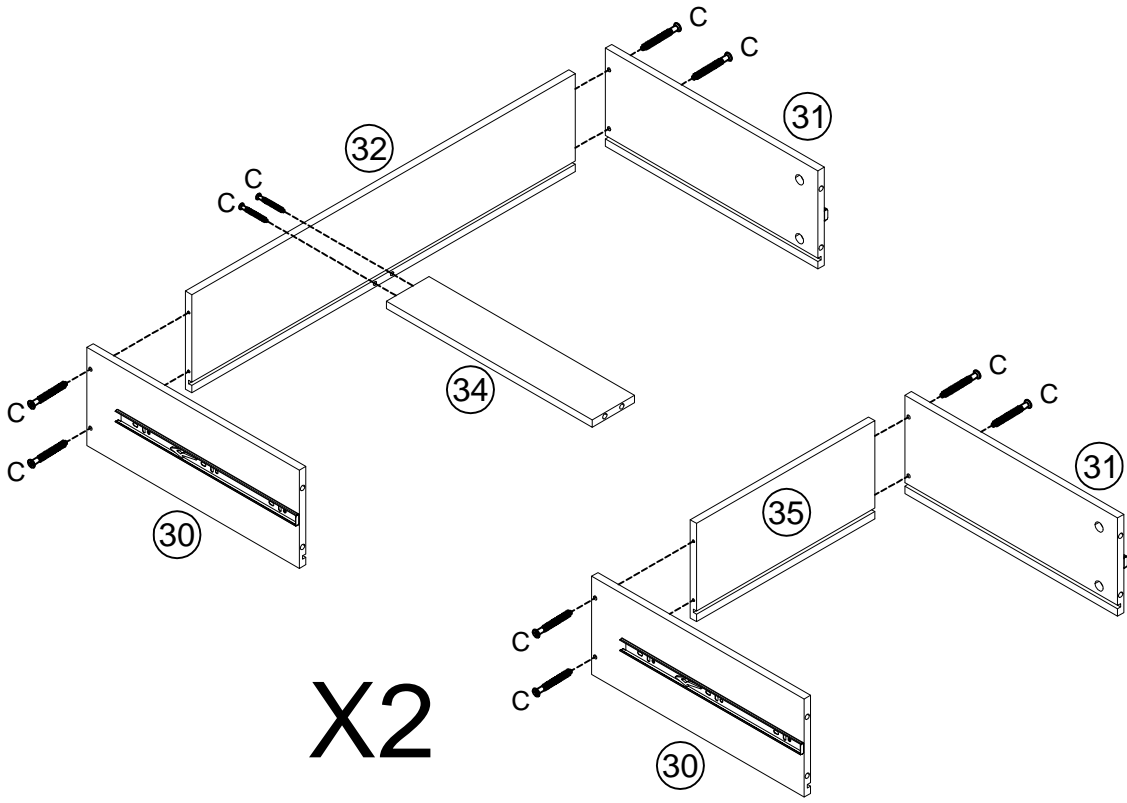
12 PCS

J

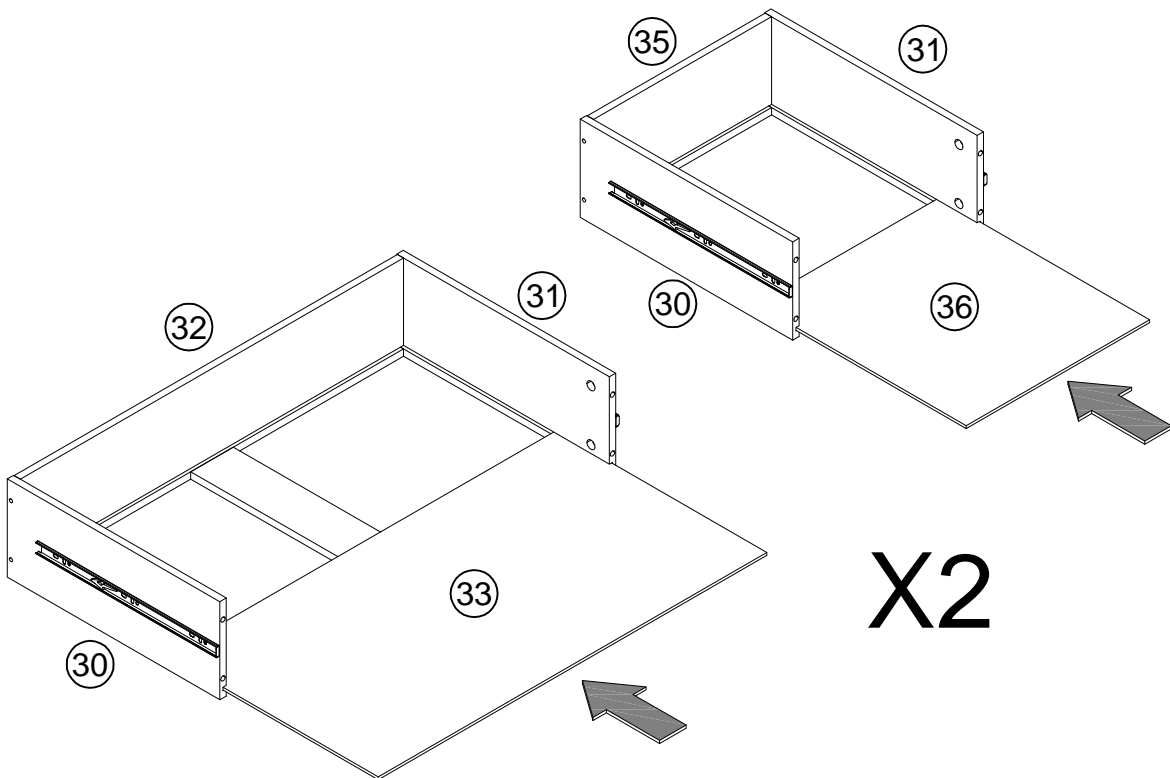
6 PCS

25

C M5*40

20 PCS



26

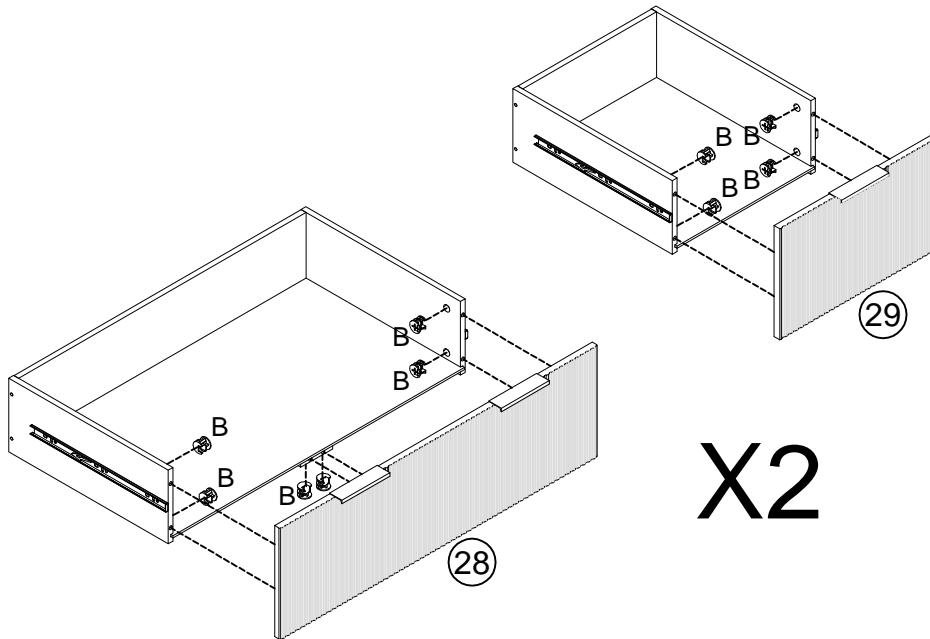


27

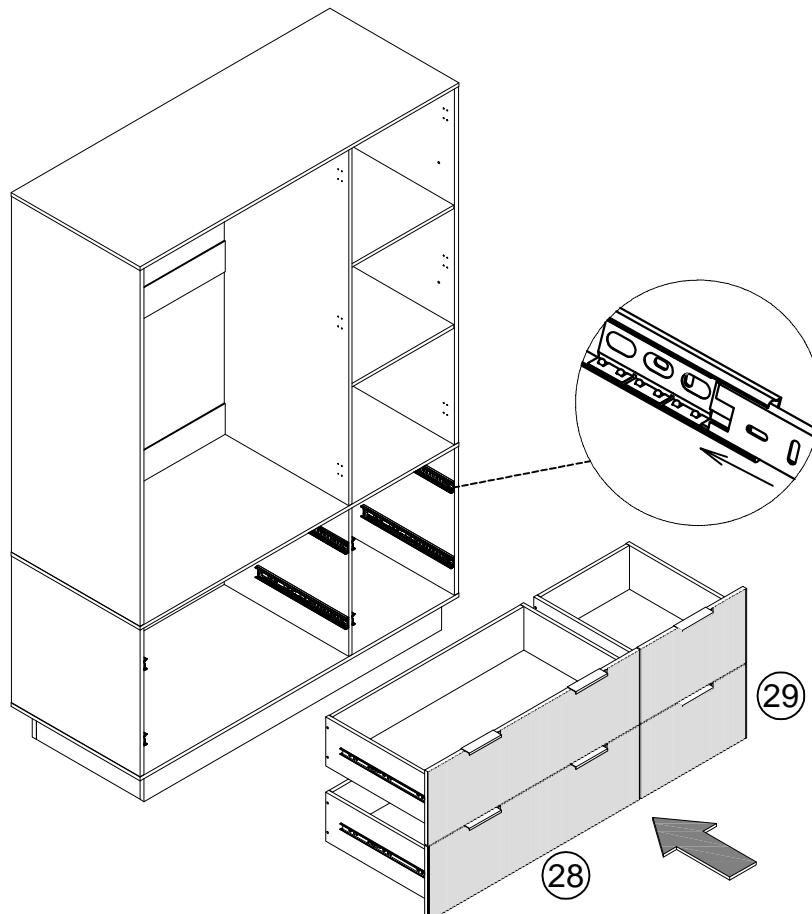
B Ø15*10



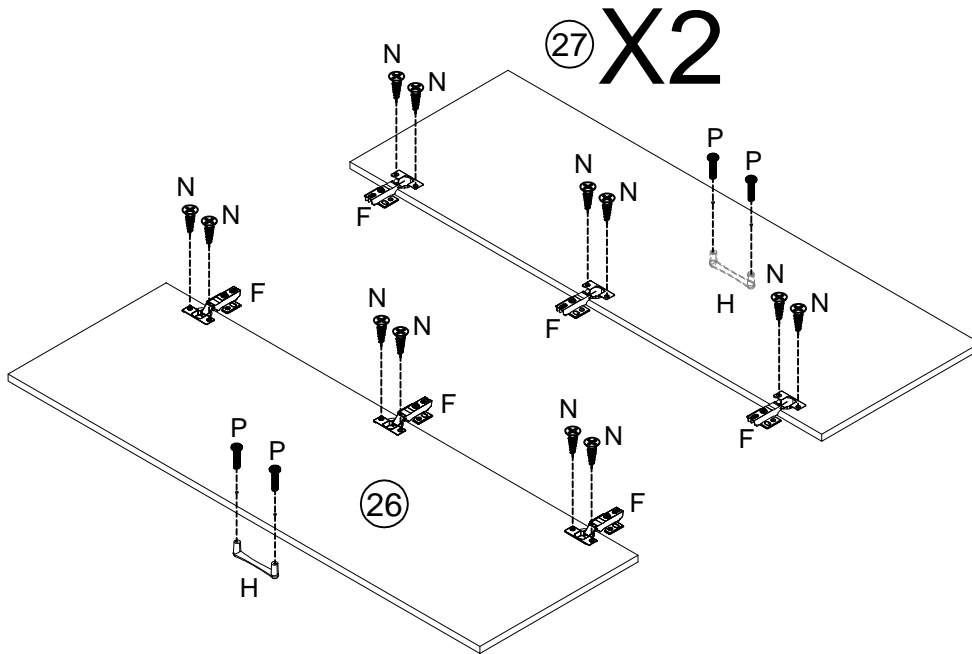
20 PCS







28

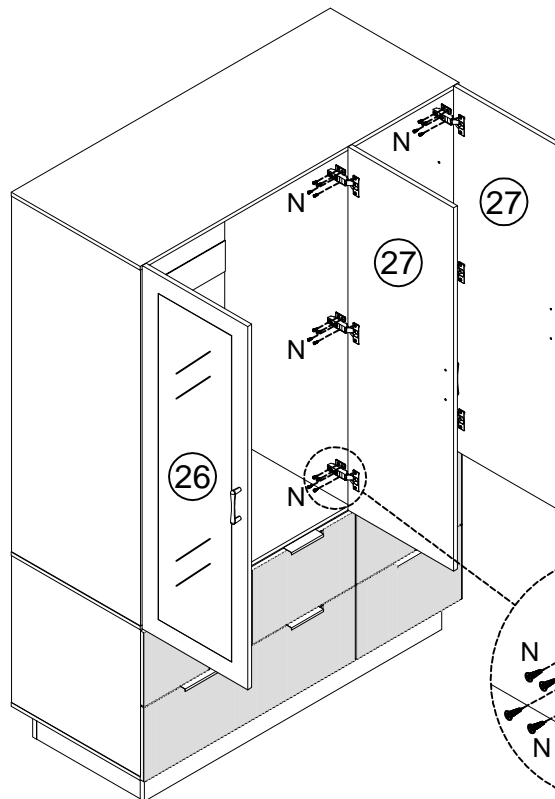


29



F	H
	
9 PCS	3 PCS
N M3.5*14	P M4*18
	
18 PCS	6PCS

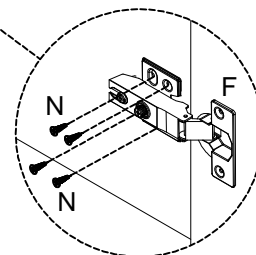
30



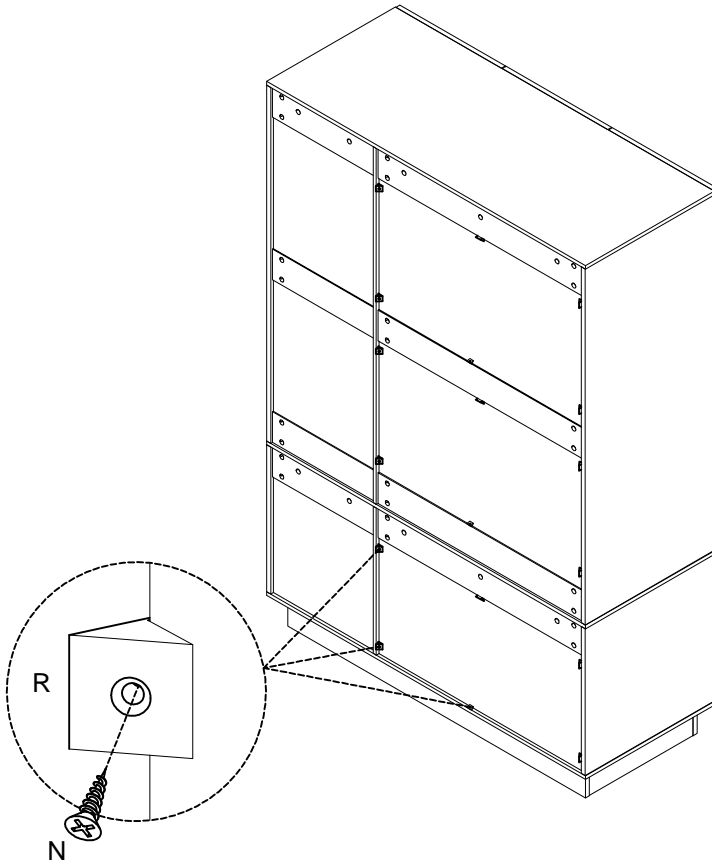
N M3.5*14



36 PCS

Adjust the "F" if the panel is not in the right position



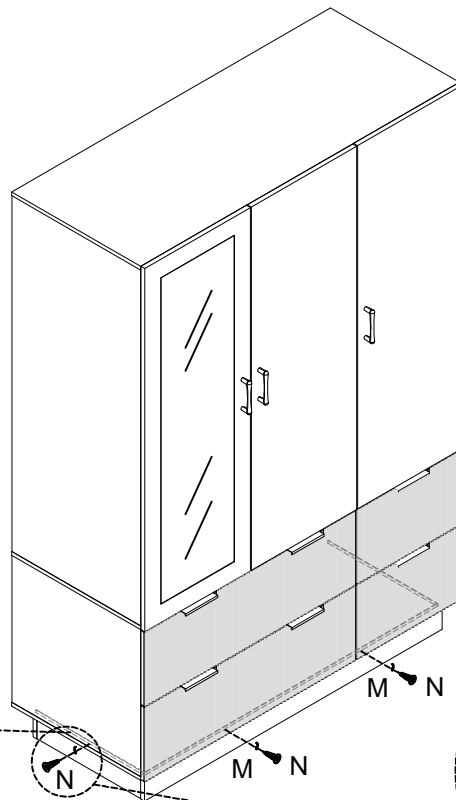
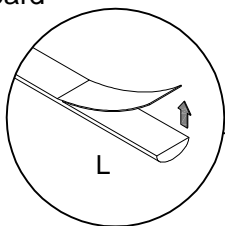
31


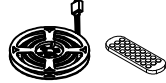



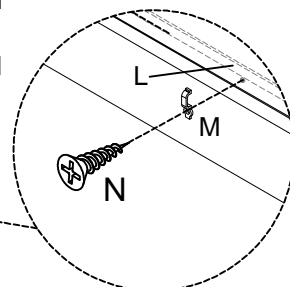
R	N M3.5*14
	
18 PCS	18 PCS

32

Remove the paper on the surface of the light strip and paste it on the board



M	L
	
4 PCS	1 SETS
N M3.5*14	
	
4 PCS	

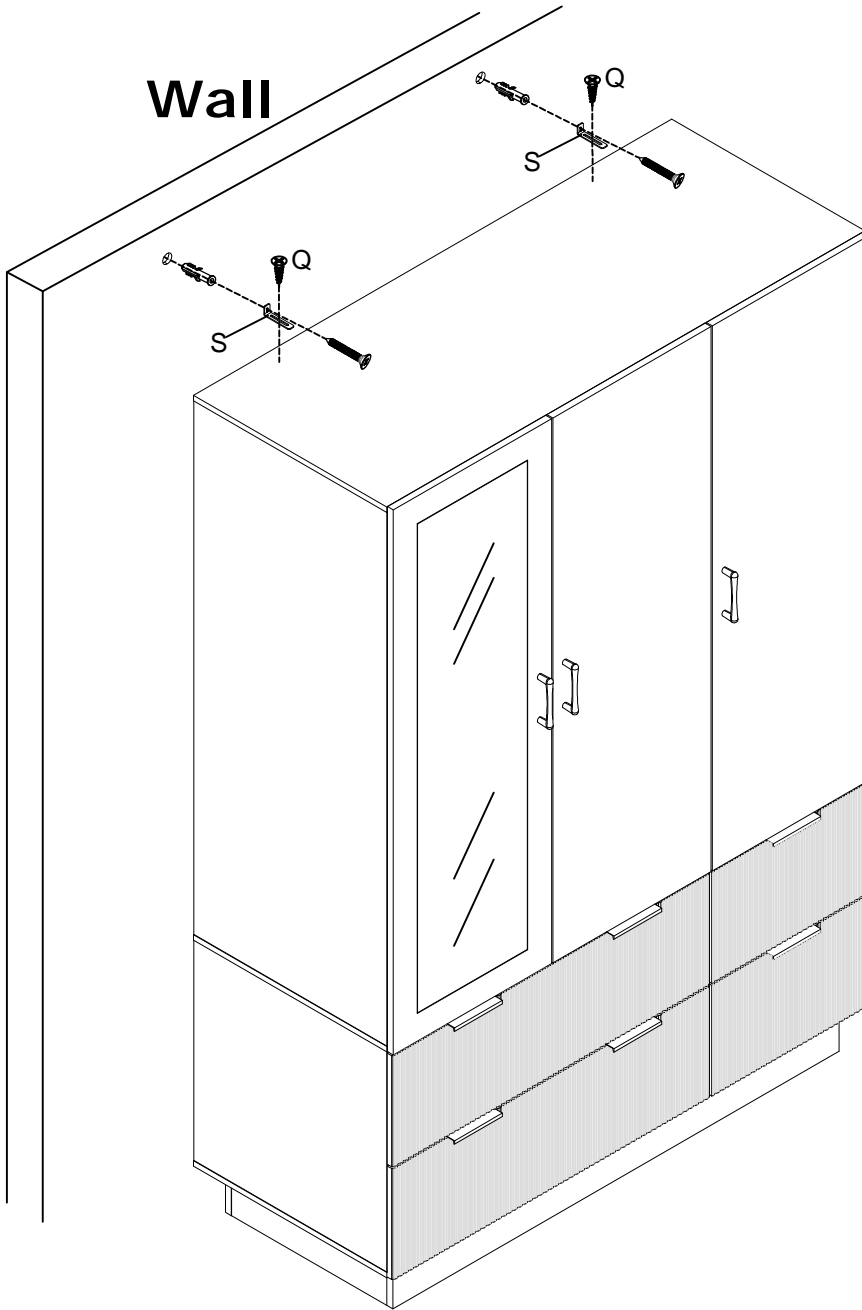


33

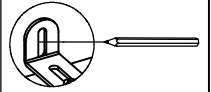


Attention: For safety and stability, we suggest you have to secure the anti-tip accessories to the wall to prevent tipping, injury, and property damage.

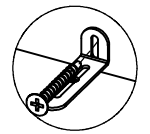
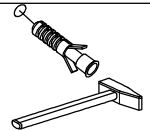
Wall



Wall



Wall

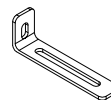


Q M3.5*12



2 PCS

S



2 PCS

Ø8*60



2 PCS

M5*55



2 PCS