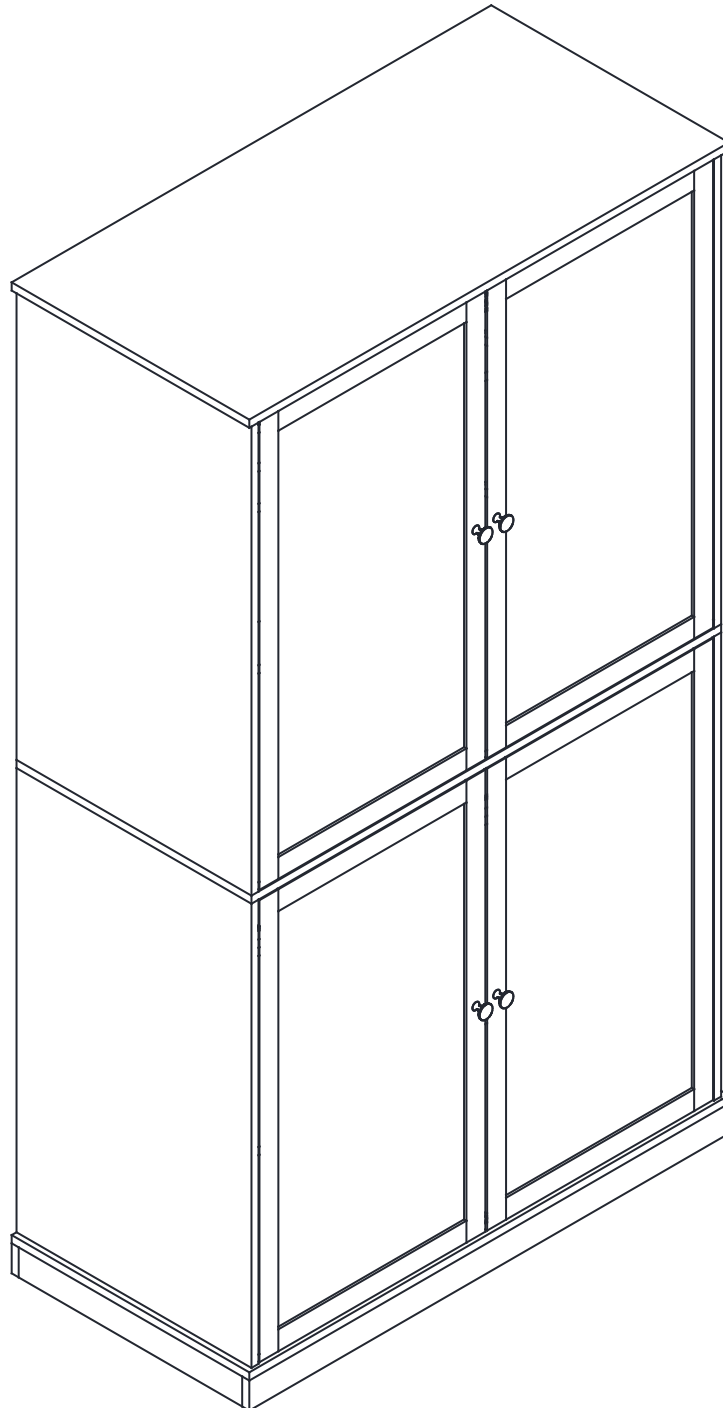


Kitchen pantry

Assembly Instructions - Please keep for future reference



Important – Please read these instructions fully before starting assembly



Safety and Care Advice

Important – Please read these instructions fully before starting assembly

- Check you have all the components and tools listed on the following pages.
- Remove all fittings from the plastic bags and separate them into their groups.
- Keep children and animals away from the work area, small parts could choke if swallowed.
- Make sure you have enough space to layout the parts before starting.

- During assembly do not stand or put weight on the product, this could cause damage.
- Assemble the item as close to its final position (in the same room) as possible.
- Assemble on a soft level surface to avoid damaging the unit or your floor.
- Parts of the assembly will be easier with 2 people.



- To reduce the likelihood of damaging your product please ensure that your power drill is set on a low torque setting.

Care and maintenance

- Only clean using a damp cloth and mild detergent, do not use bleach or abrasive cleaners.
- From time to time check that there are no loose screws on this unit.
- This product should not be discarded with household waste. Take to your local authority waste disposal centre.

Handy Hints

- Assemble all parts and bolts loosely during assembly, only once the product is complete should you fully tighten the bolts
- Regularly check and ensure That all bolts and fittings are tightened properly.

WARNING In order to help prevent overturning – please follow these instructions

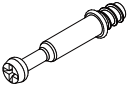


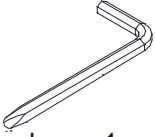

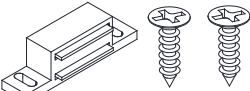







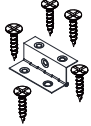


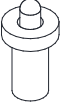

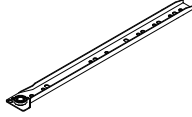
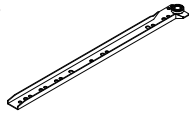
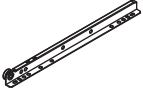

To help prevent product toppling over please follow the below steps:-

- Use the anti tip stap or wall fixing method provided (if applicable)
- Do not allow children to climb or hang on the furniture
- Do not open more than one drawer at a time
- Do not place heavy items in the top drawers
- Do not place heavy items on top of the furniture, unless the furniture has been designed for this purpose

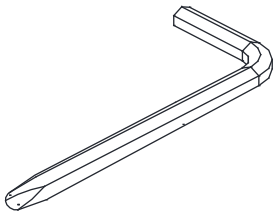
Components - Fittings

Please check you have all the panels listed below

Note: The quantities below are the correct amount to complete the assembly. In some cases, more fittings may be supplied than required.

<p>(A)</p>  <p>Cam Bolt x 102</p>	<p>(B)</p>  <p>Dowel x 58</p>	<p>(C)</p>  <p>Cam lock x 102</p>	<p>(D)</p>  <p>Allen key x 1</p>
<p>(E)</p>  <p>3*12mm Screw x 18</p>	<p>(F)</p>  <p>3*16mm Base knob x 2SET</p>	<p>(G)</p>  <p>7*40mm Screw x 4</p>	<p>(H)</p>  <p>4*25mm Screw x 13</p>
<p>(I)</p>  <p>8*20mm Dowel x 4</p>	<p>(J)</p>  <p>4*35mm Screw x 2</p>	<p>(K)</p>  <p>2.6*10mm Screw x 42</p>	<p>(L)</p>  <p>Shelf support pin x 9</p>
<p>(M)</p>  <p>3*12mm Round handle x 2SET</p>	<p>(N)</p>  <p>3*12mm Three fold hinge x 10SET</p>	<p>(O)</p>  <p>3*12mm Magnetic sheet x 4SET</p>	<p>(P)</p>  <p>4*18mm Round handle x 4SET</p>
<p>(Q)</p>  <p>Iron pipe spring x 9</p>	<p>(R)</p>  <p>4*35mm Anti tipping x 2SET</p>	<p>(CL)</p>  <p>350mm runner x 2</p>	<p>(CR)</p>  <p>350mm runner x 2</p>
<p>(DR)</p>  <p>350mm runner x 2</p>	<p>(DL)</p>  <p>350mm runner x 2</p>		

Tools required



Phillips screwdriver
(medium & large)

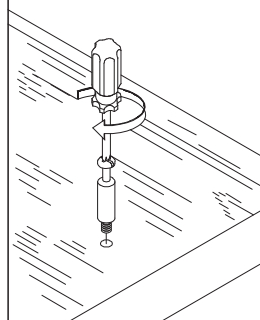
Using Camlocks

Step 1

Connect the male camlock as directed in the assembly instructions using a screwdriver.

1

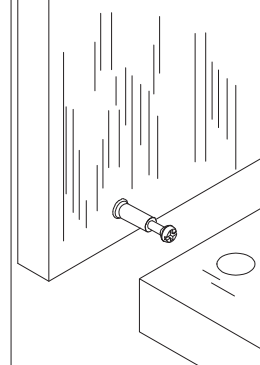
DO NOT OVER TIGHTEN.
NE PAS SERRER EXCESSIVEMENT.



Step 2

Push the male camlock into the entry hole.

2

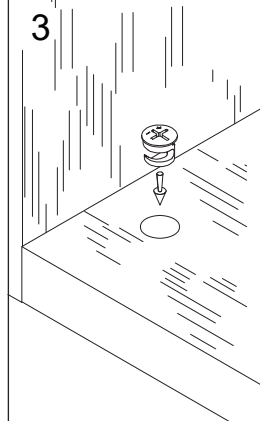


Step 3

Insert the female camlock as shown in the instruction.

Note: ensure that the arrow on the top of the camlock points towards the entry hole for the male camlock.

3



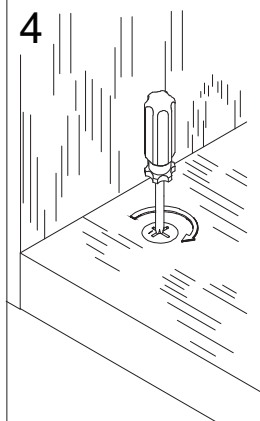
Step 4

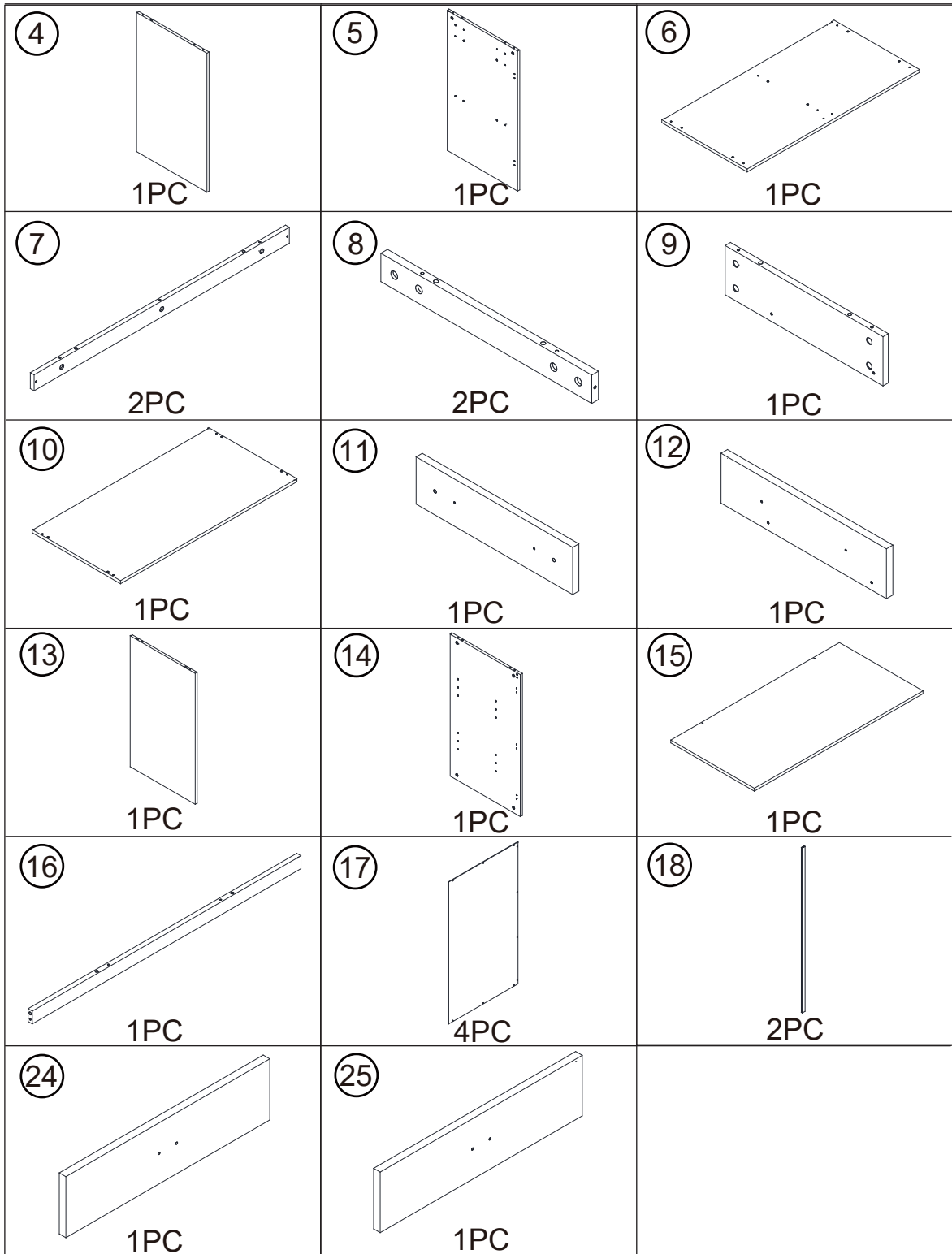
Turn the female camlock clockwise with a screwdriver.


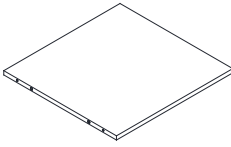
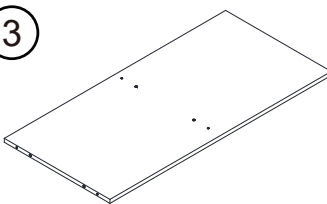
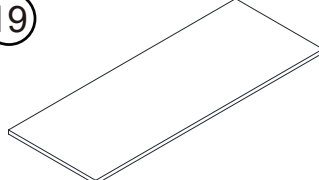
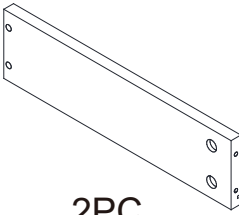
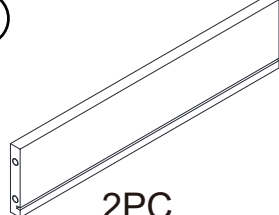
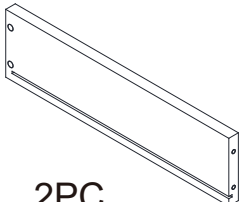
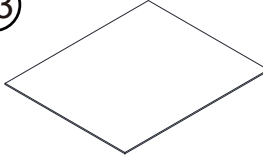






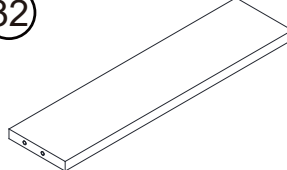
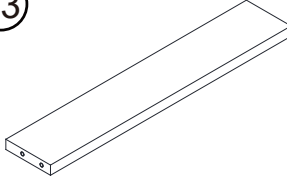
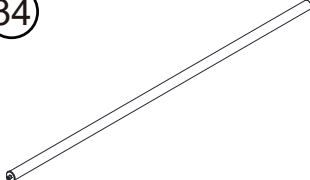
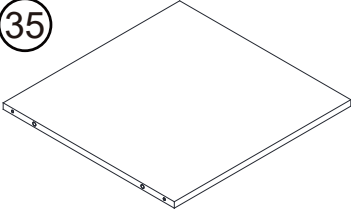

You should feel a click when the camlock is locked in place.

The joint is now secure.

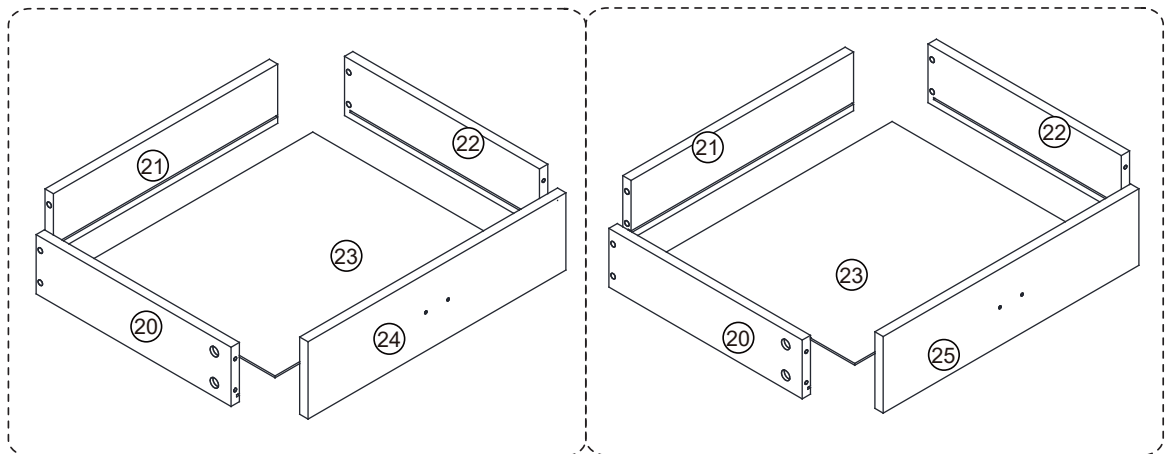
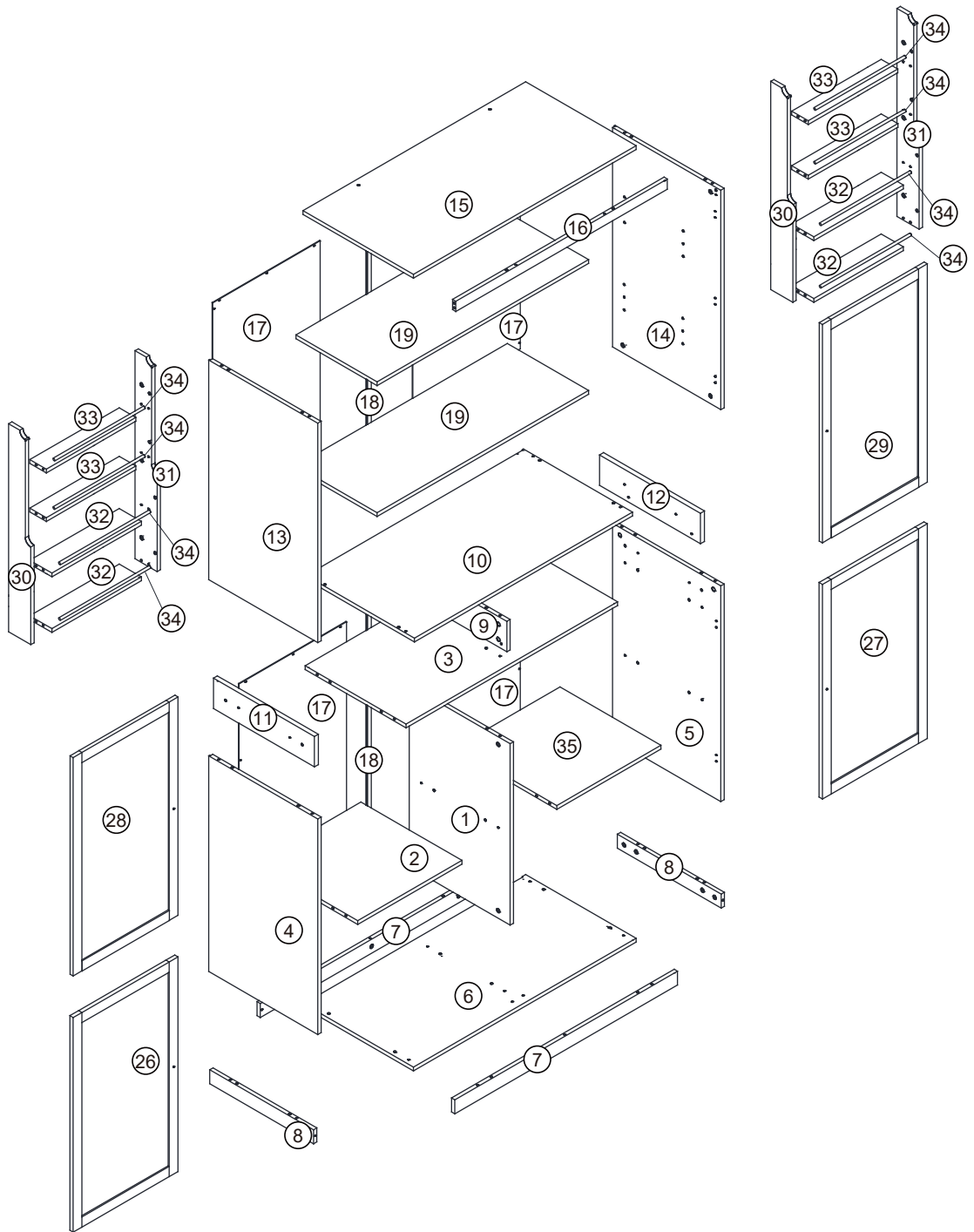
4





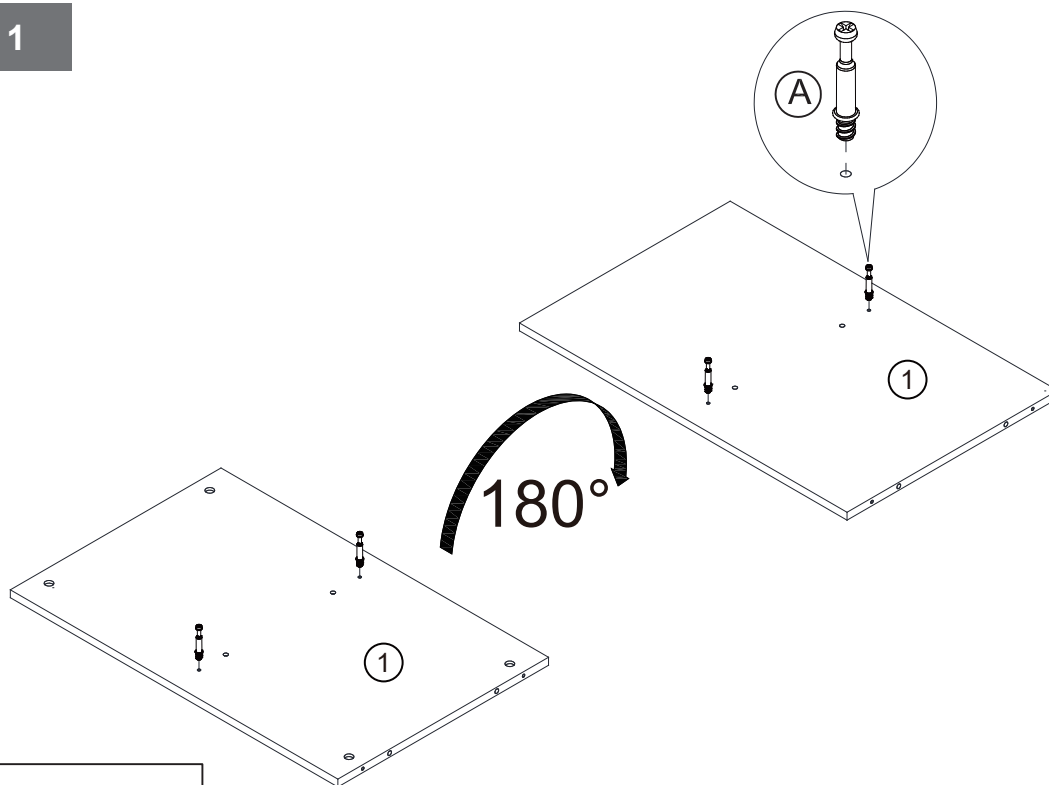
<p>①</p>  <p>1PC</p>	<p>②</p>  <p>1PC</p>	<p>③</p>  <p>1PC</p>
<p>⑱</p>  <p>2PC</p>	<p>⑳</p>  <p>2PC</p>	<p>㉑</p>  <p>2PC</p>
<p>㉒</p>  <p>2PC</p>	<p>㉓</p>  <p>2PC</p>	<p>㉔</p>  <p>1PC</p>
<p>㉗</p>  <p>1PC</p>	<p>㉘</p>  <p>1PC</p>	<p>㉙</p>  <p>1PC</p>
<p>㉚</p>  <p>2PC</p>	<p>㉛</p>  <p>2PC</p>	<p>㉜</p>  <p>4PC</p>
<p>㉝</p>  <p>4PC</p>	<p>㉞</p>  <p>8PC</p>	<p>㉟</p>  <p>1PC</p>
 <p>Hardware Kit</p> <p>1PC</p>		

Assembly Instructions

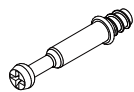


Assembly Instructions

Step 1

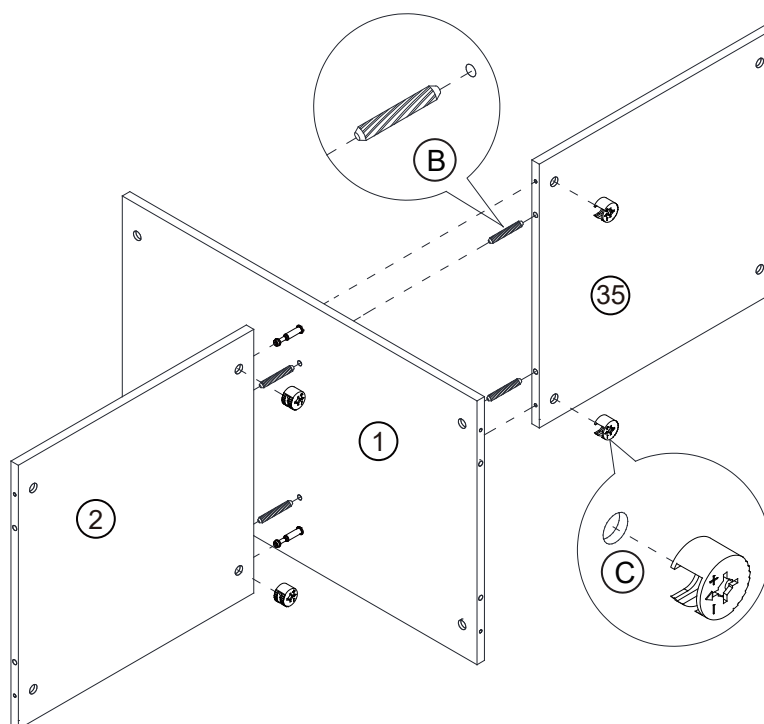


(A)



Cam Bolt x4

Step 2



(B)



Dowel x 4

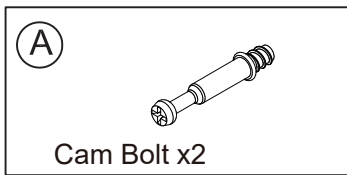
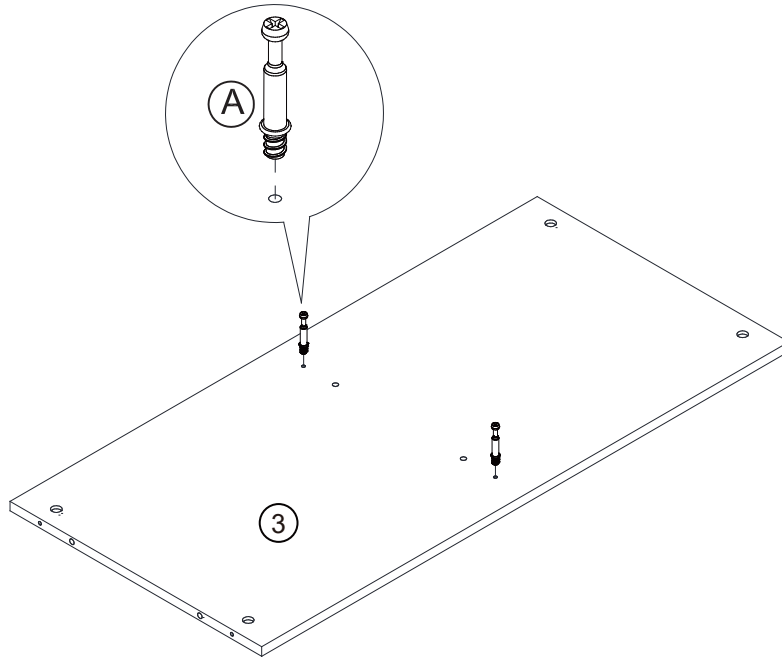
(C)



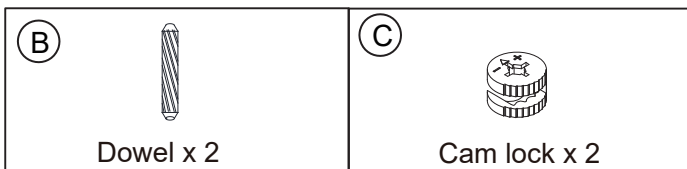
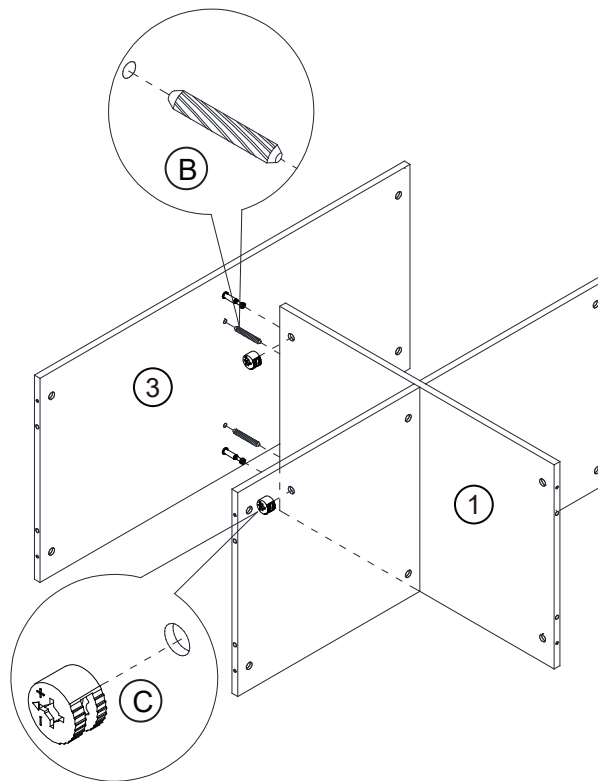
Cam lock x 4

Assembly Instructions

Step 3

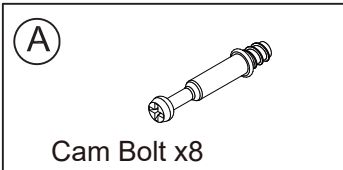
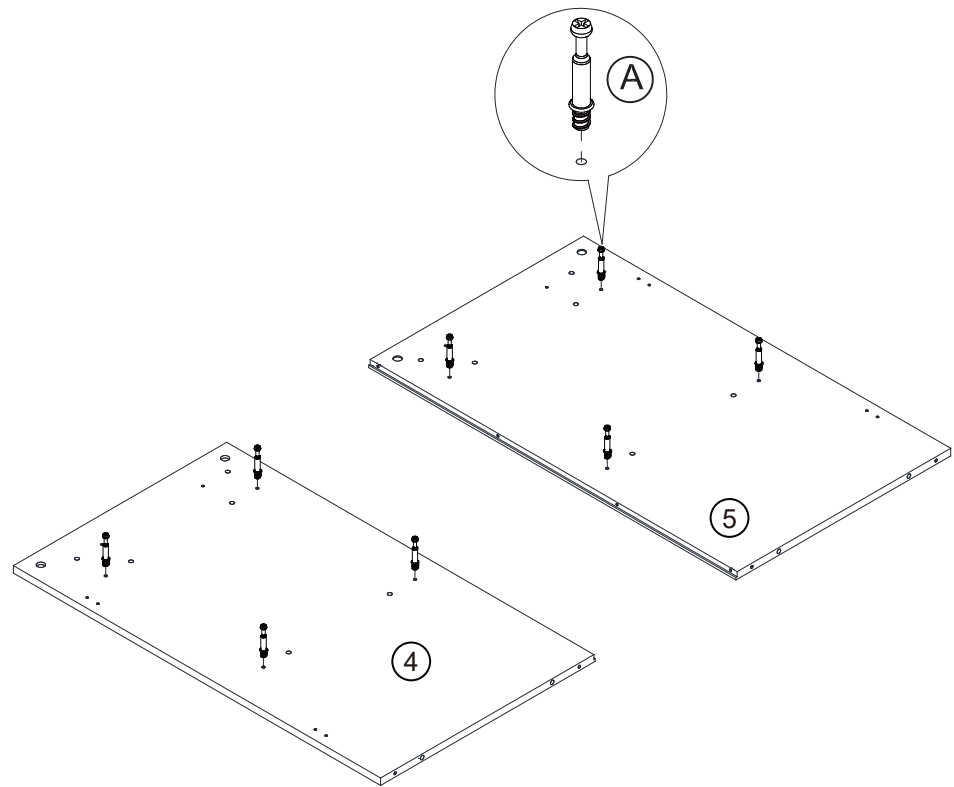


Step 4

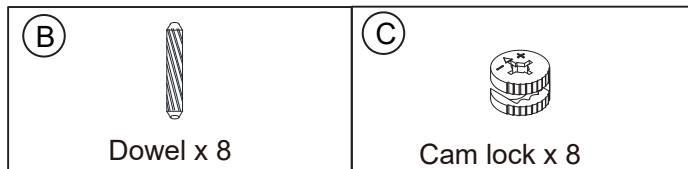
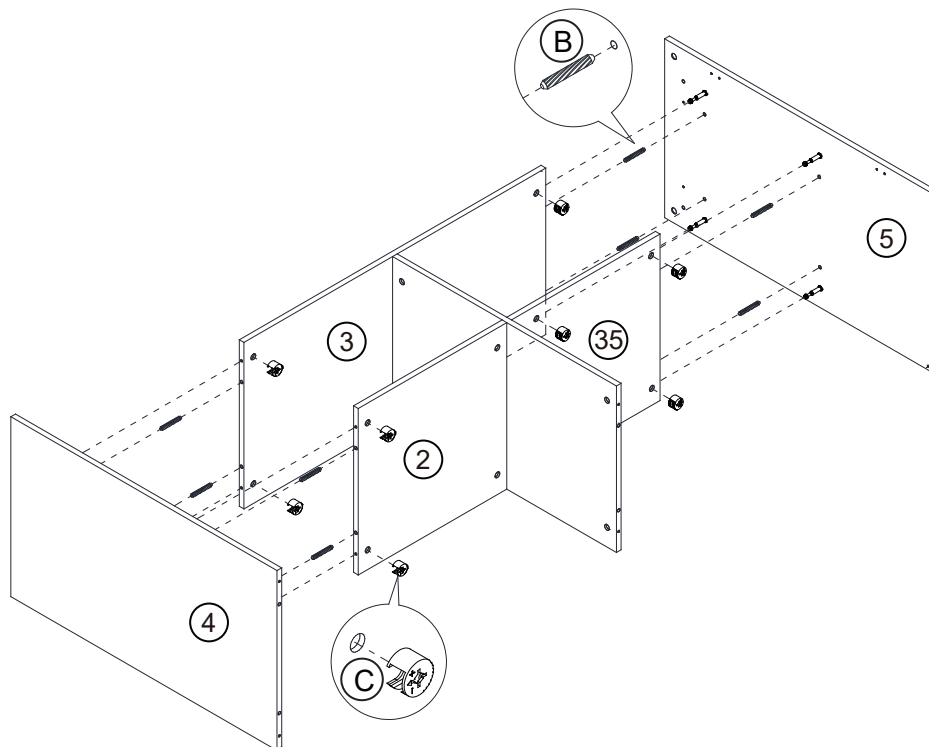


Assembly Instructions

Step 5

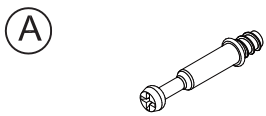
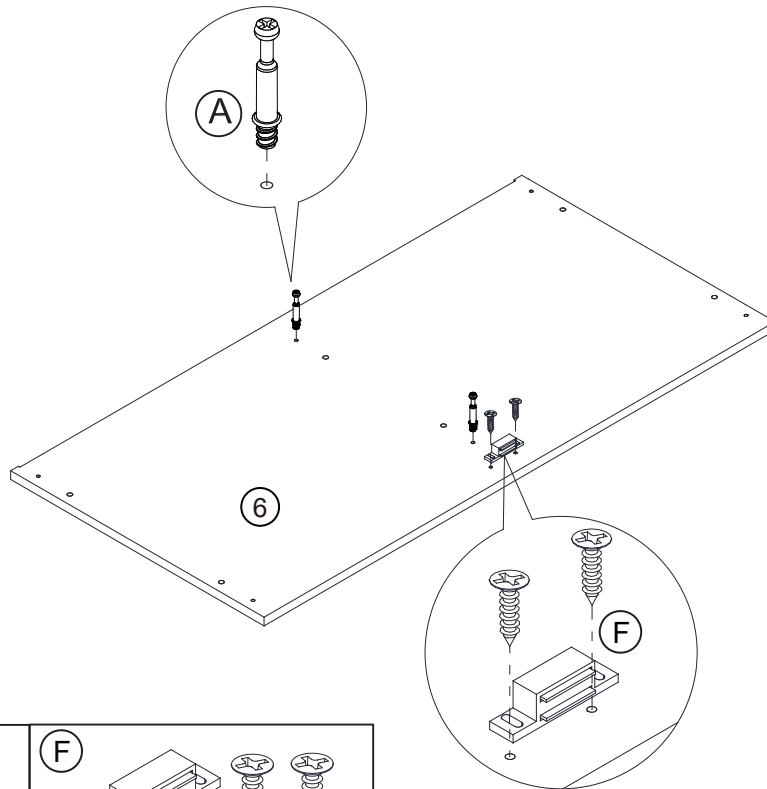


Step 6

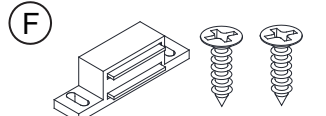


Assembly Instructions

Step 7

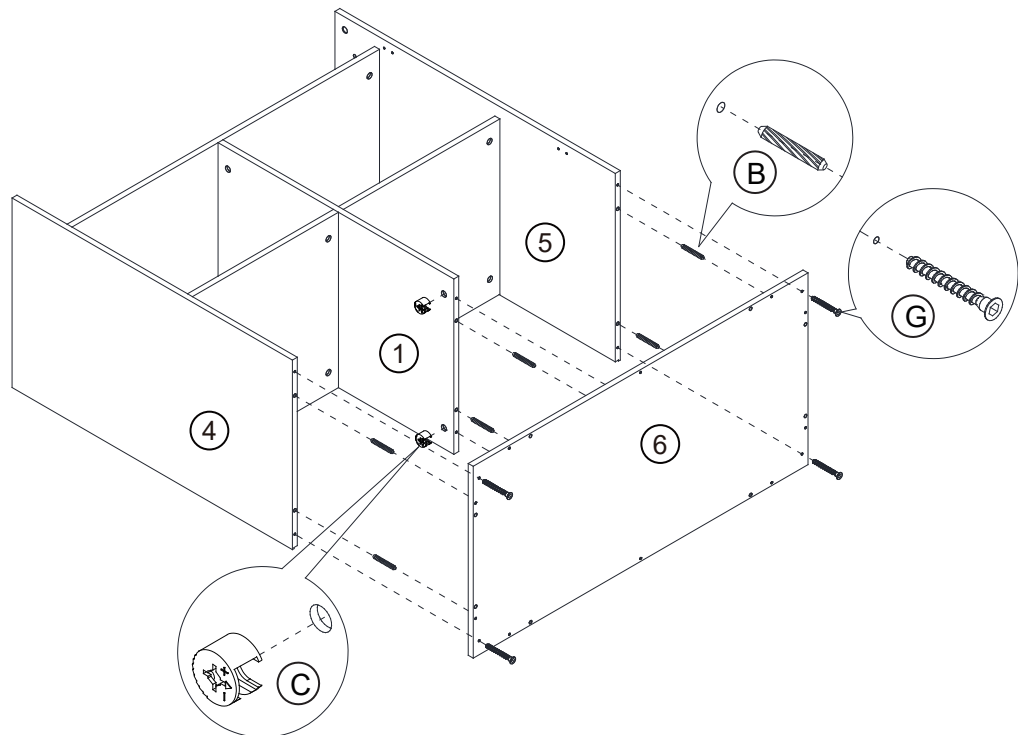


Cam Bolt x2



3*16mm Base knob 1SET

Step 8



(B)



Dowel x 6

(C)



Cam lock x 2

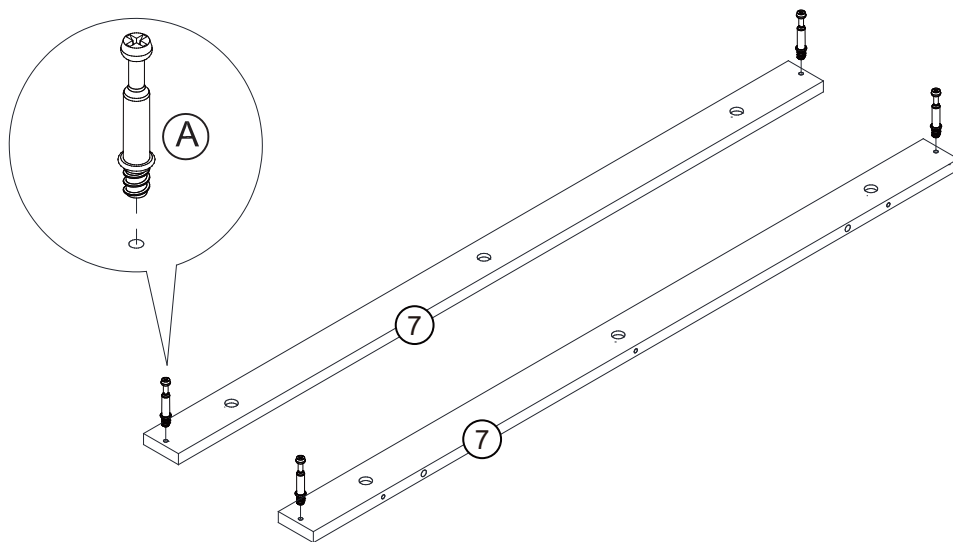
(G)



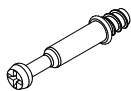
7*40mm Screw x 4

Assembly Instructions

Step 9

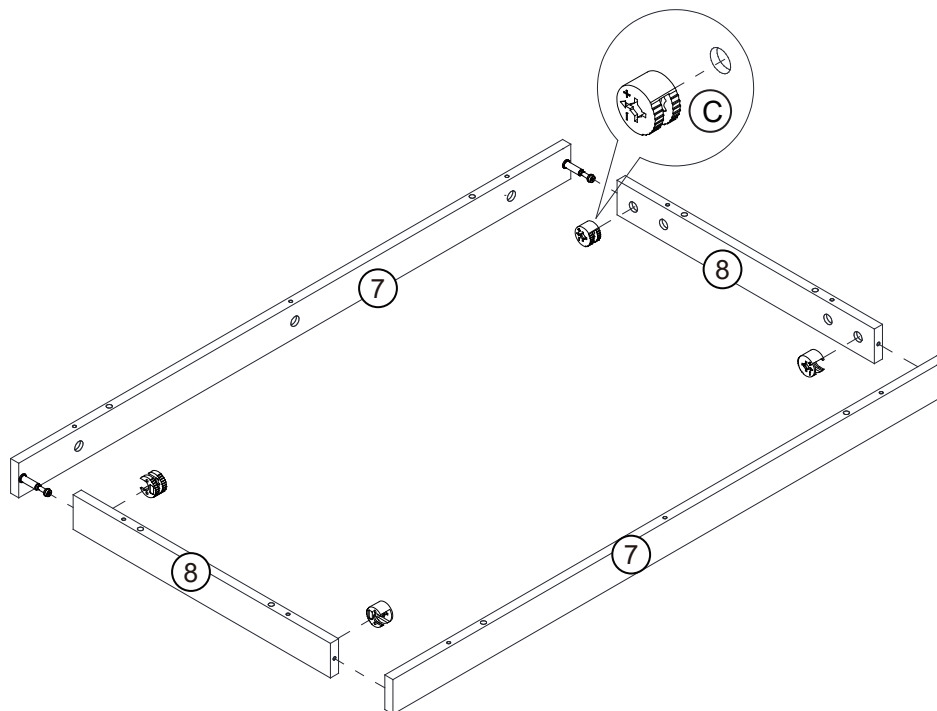


A



Cam Bolt x4

Step 10



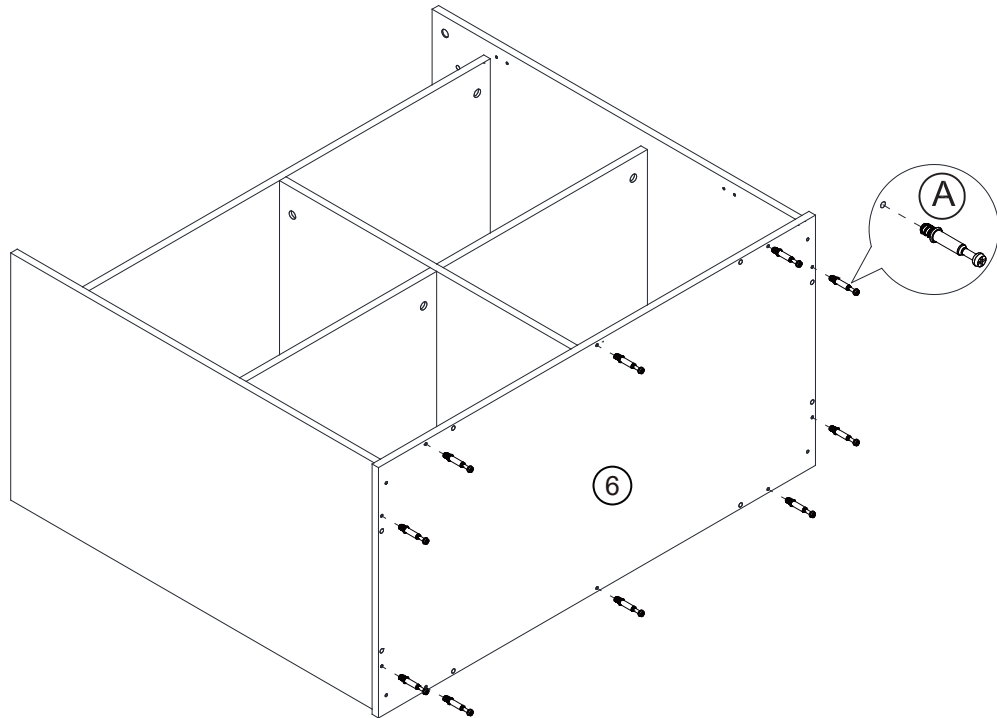
C



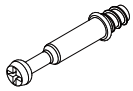
Cam lock x 4

Assembly Instructions

Step 11

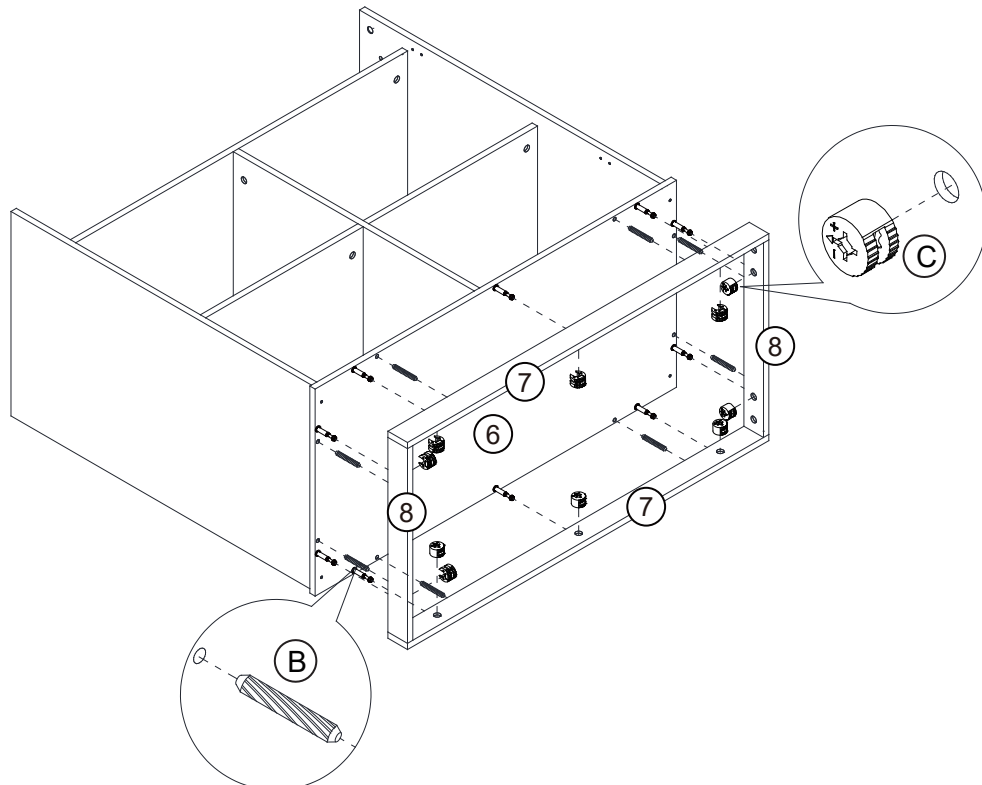


(A)



Cam Bolt x10

Step 12



(B)



Dowel x 8

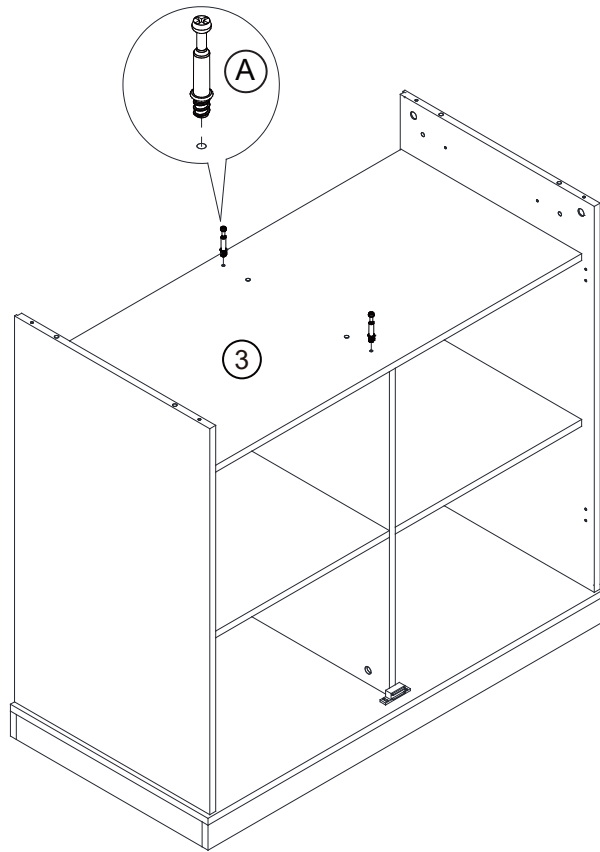
(C)



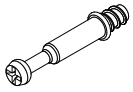
Cam lock x 10

Assembly Instructions

Step 13

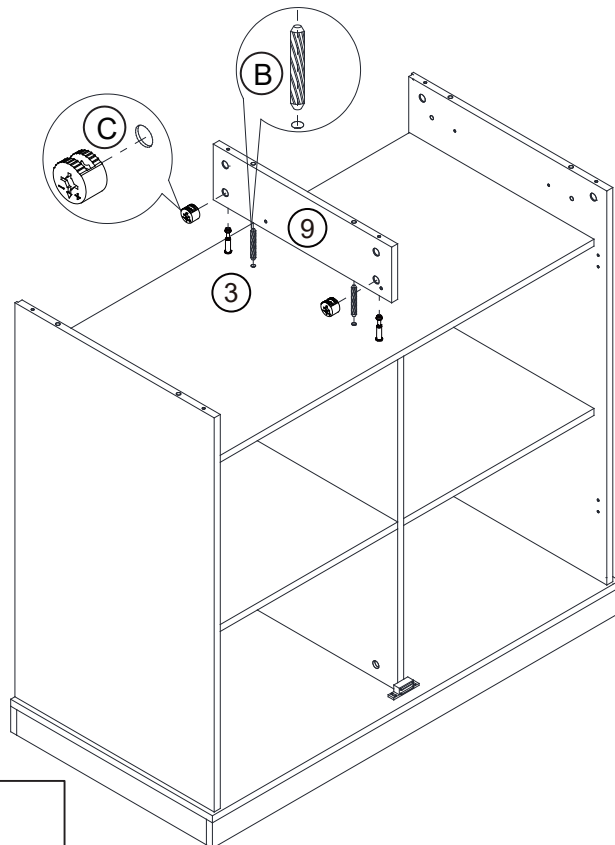


(A)



Cam Bolt x 2

Step 14



(B)



Dowel x 2

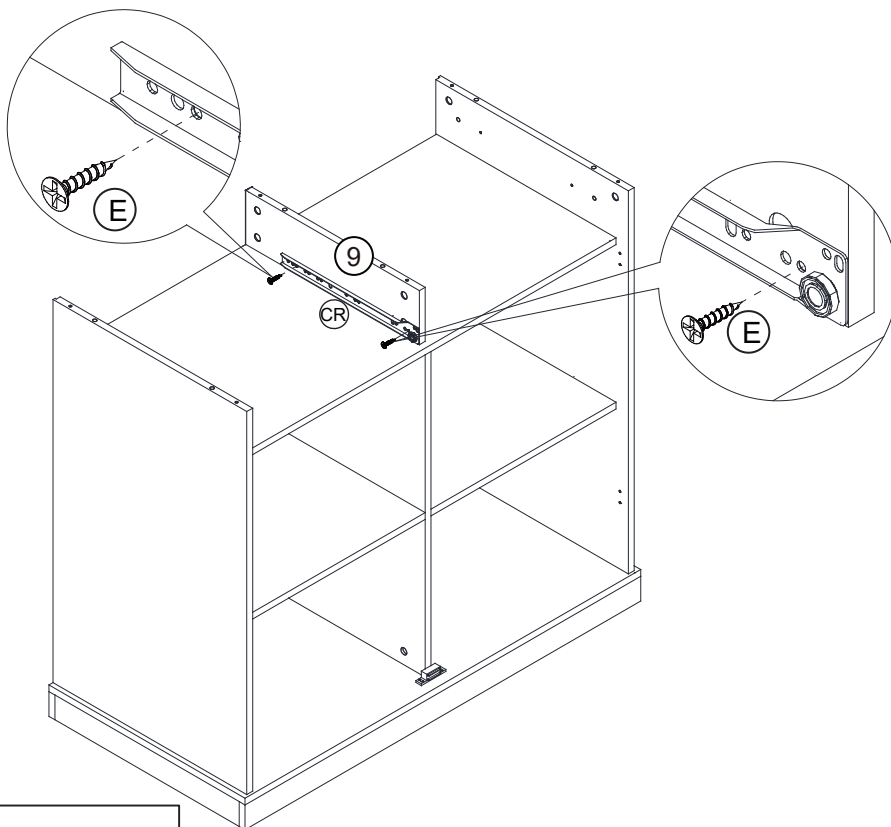
(C)



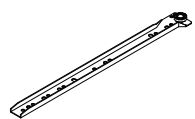
Cam lock x 2

Assembly Instructions

Step 15



CR



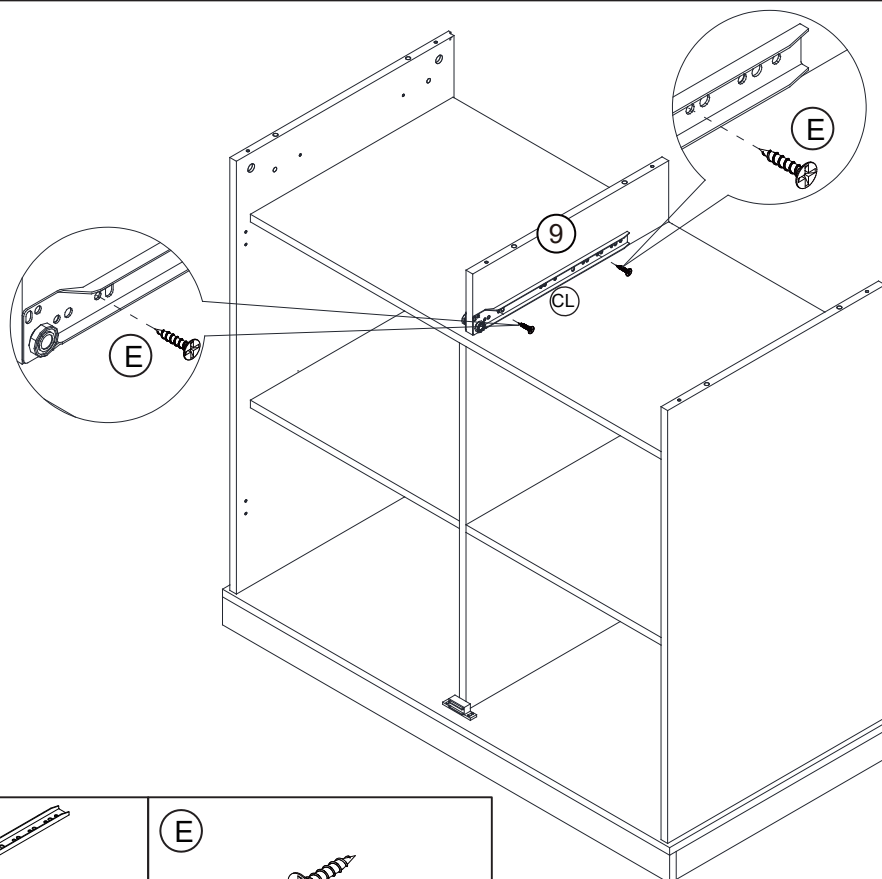
350mm runner x 1

E

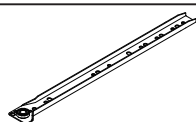


3*12mm Screw x 2

Step 16



CL



350mm runner x 1

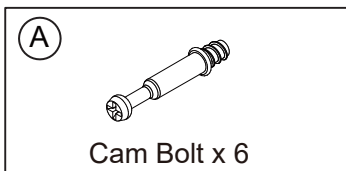
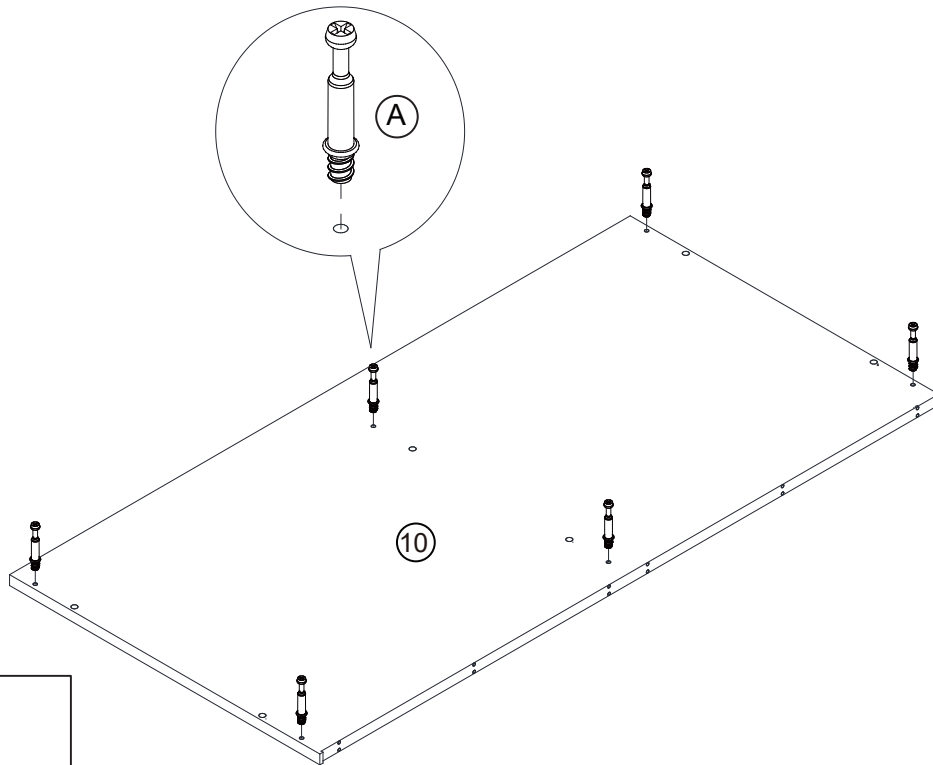
E



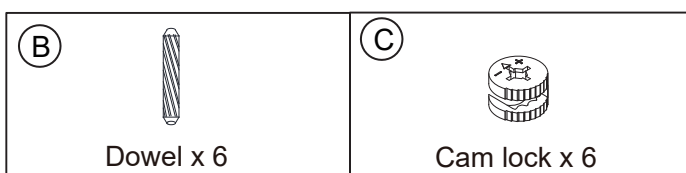
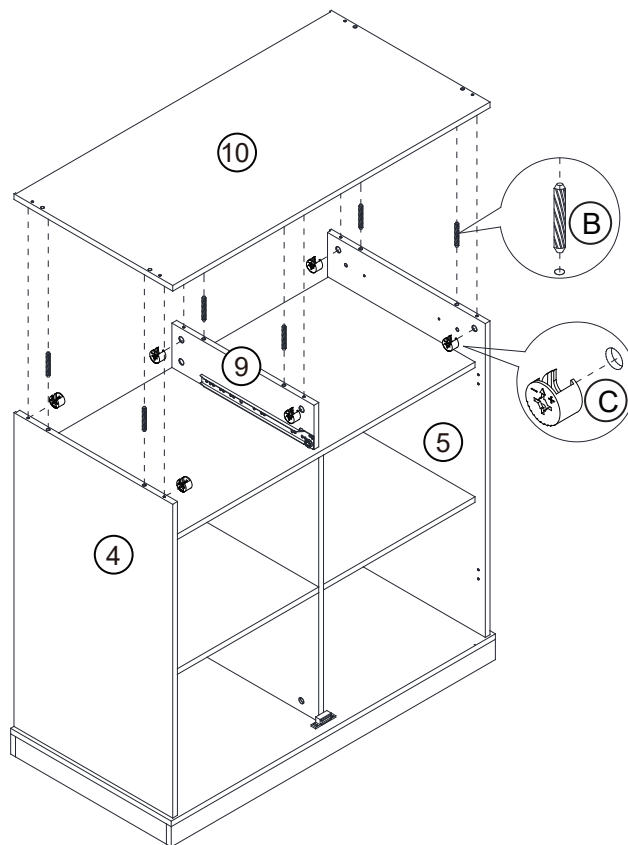
3*12mm Screw x 2

Assembly Instructions

Step 17

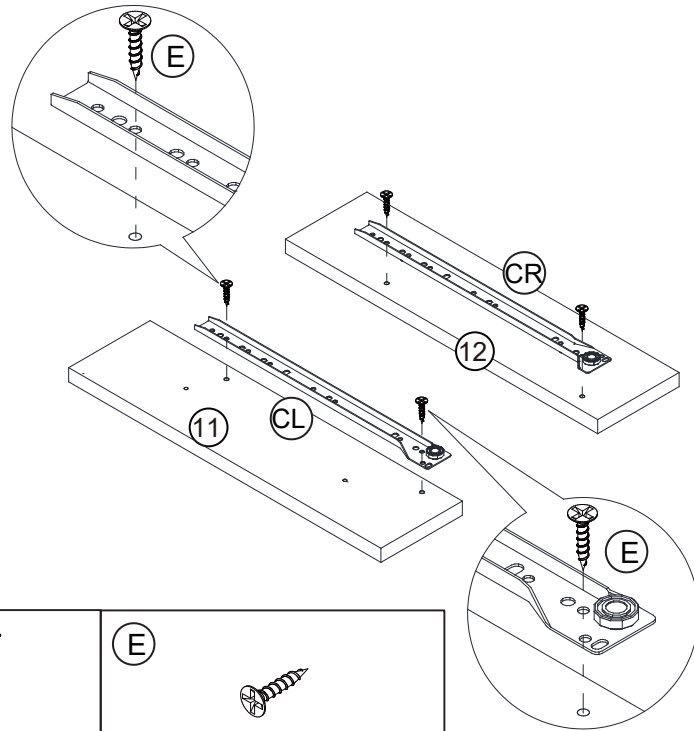


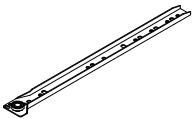
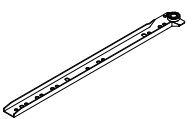

Step 18



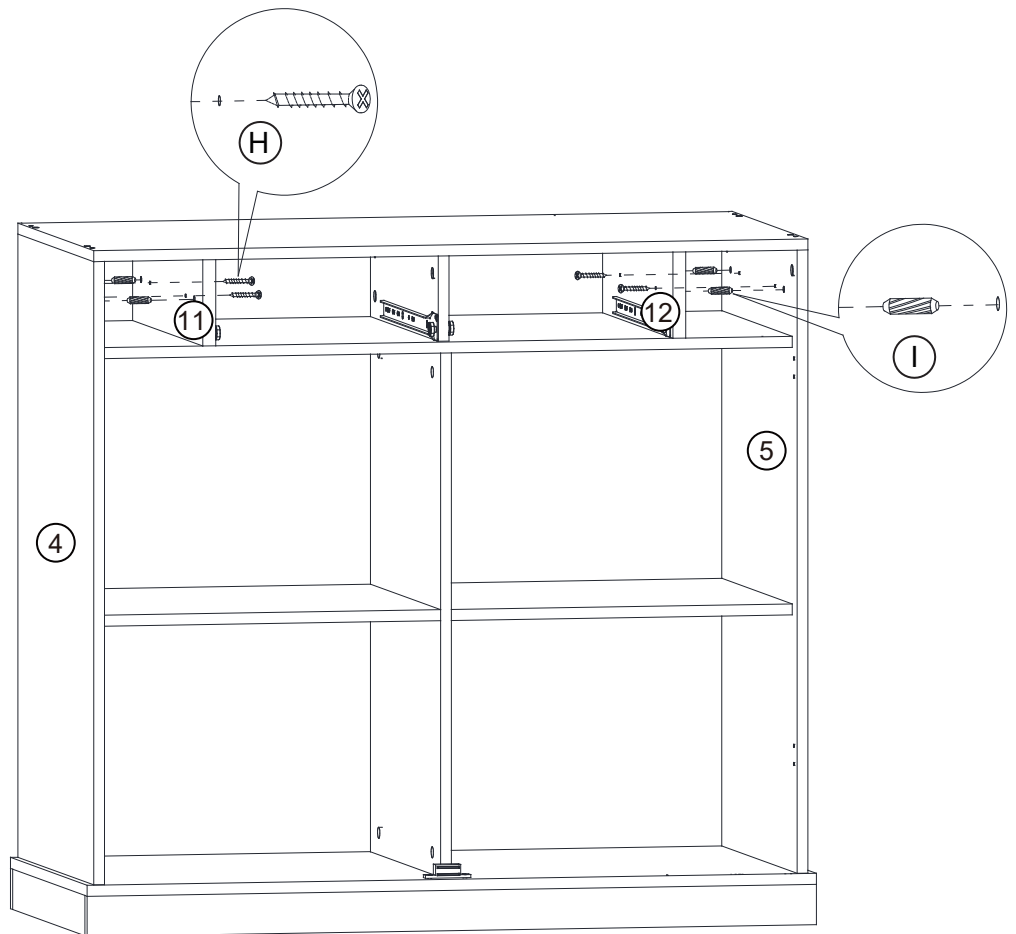
Assembly Instructions



Step 19



 CL 350mm runner x 1	 CR 350mm runner x 1	 E 3*12mm Screw x 4
---	---	--

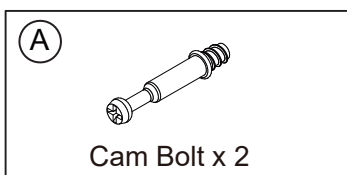
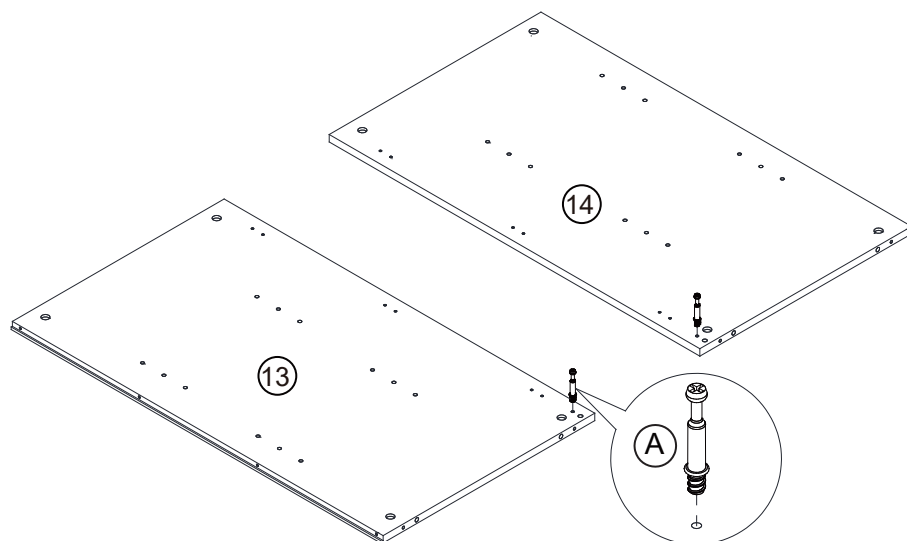
Step 20



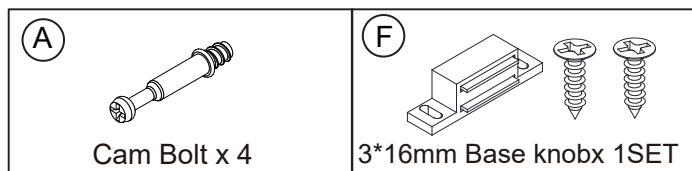
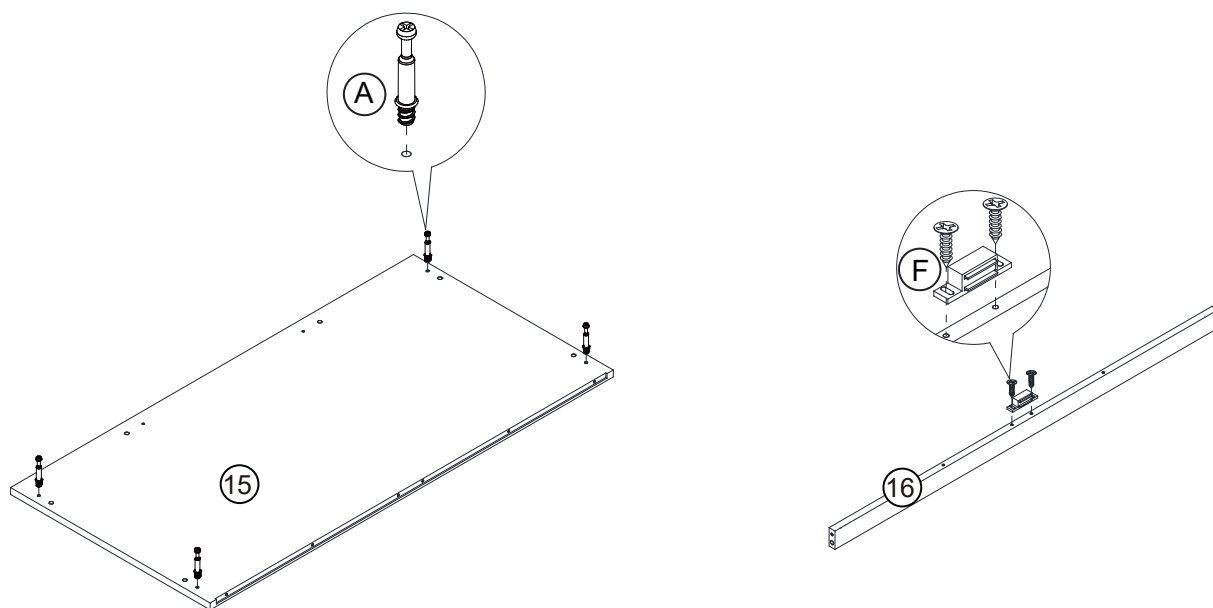
 H 4*25mm Screw x 4	 I 8*20mm Dowel x 4
--	--

Assembly Instructions

Step 21

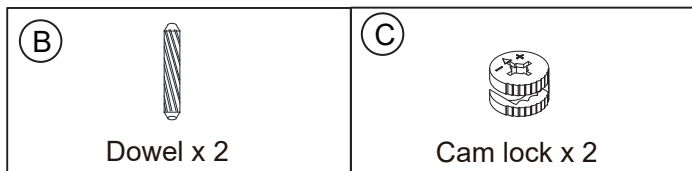
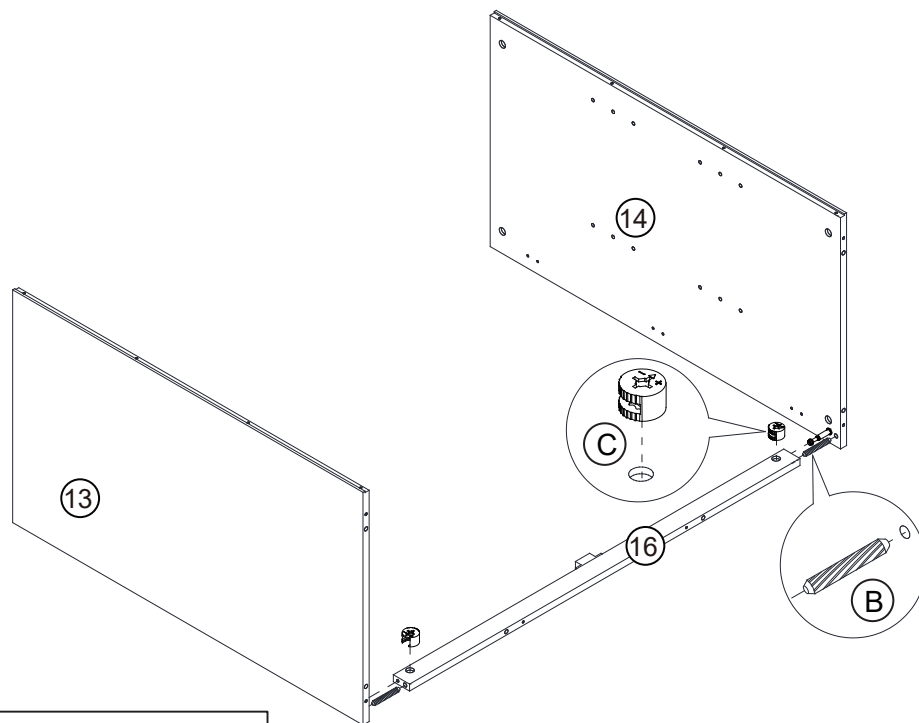


Step 22

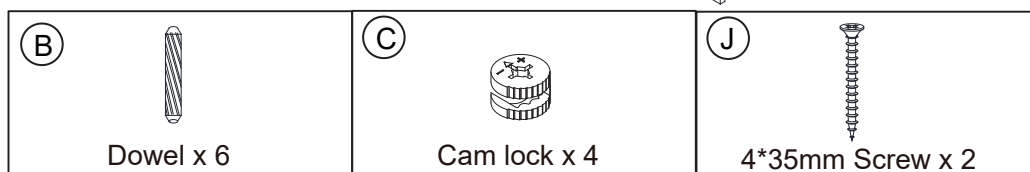
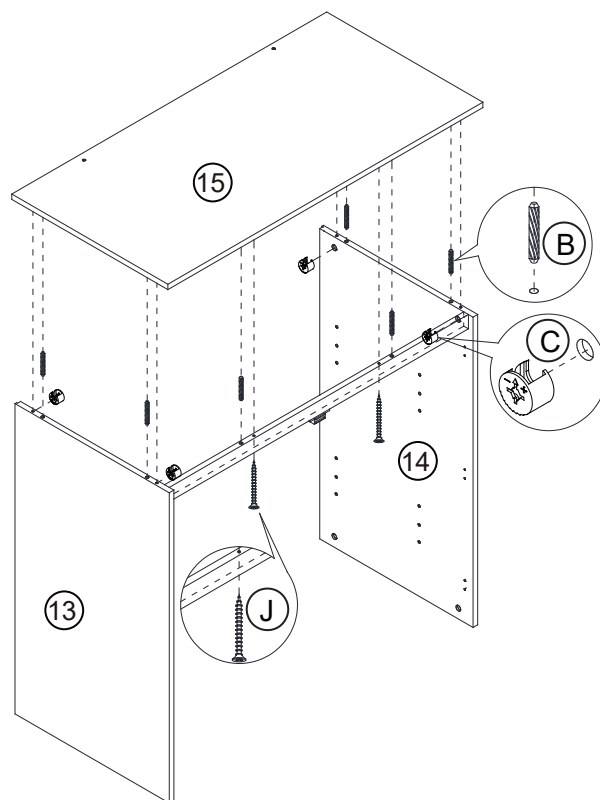


Assembly Instructions

Step 23

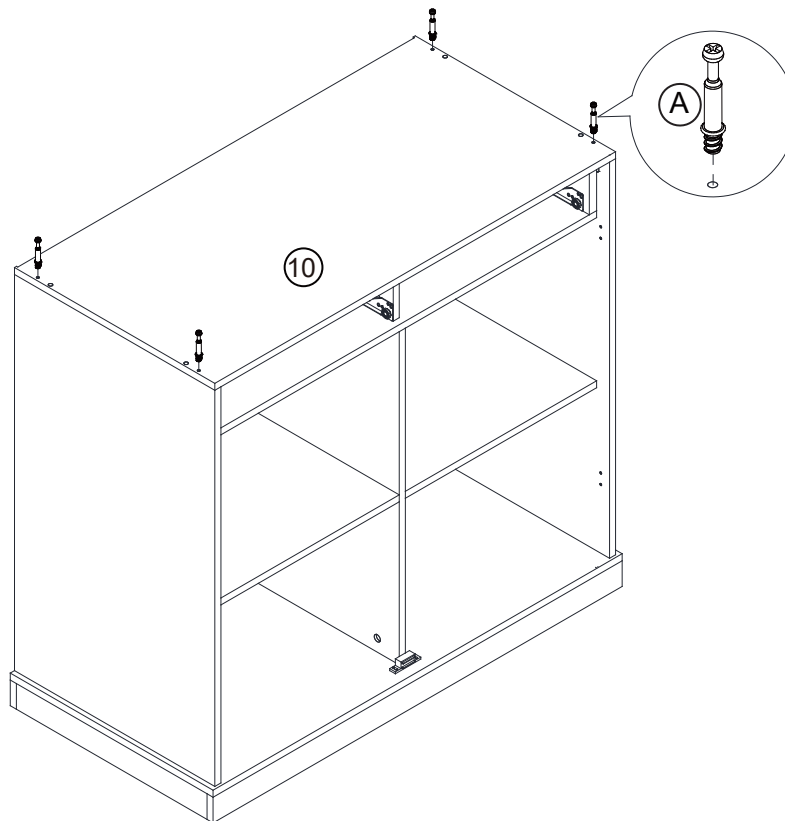


Step 24

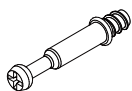


Assembly Instructions

Step 25

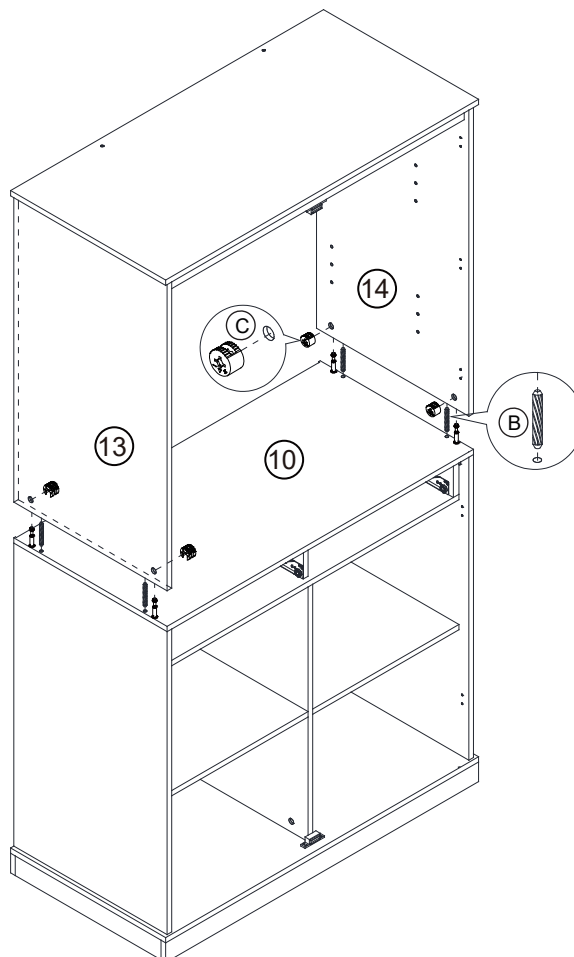


(A)



Cam Bolt x 4

Step 26



(B)



Dowel x 4

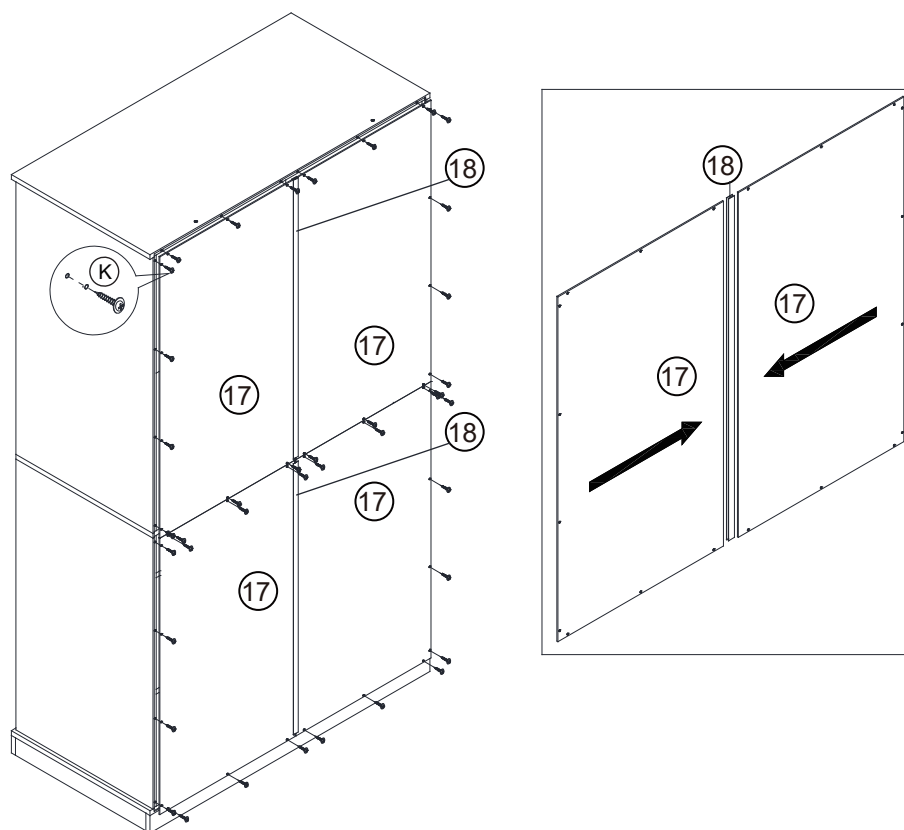
(C)



Cam lock x 4

Assembly Instructions

Step 27

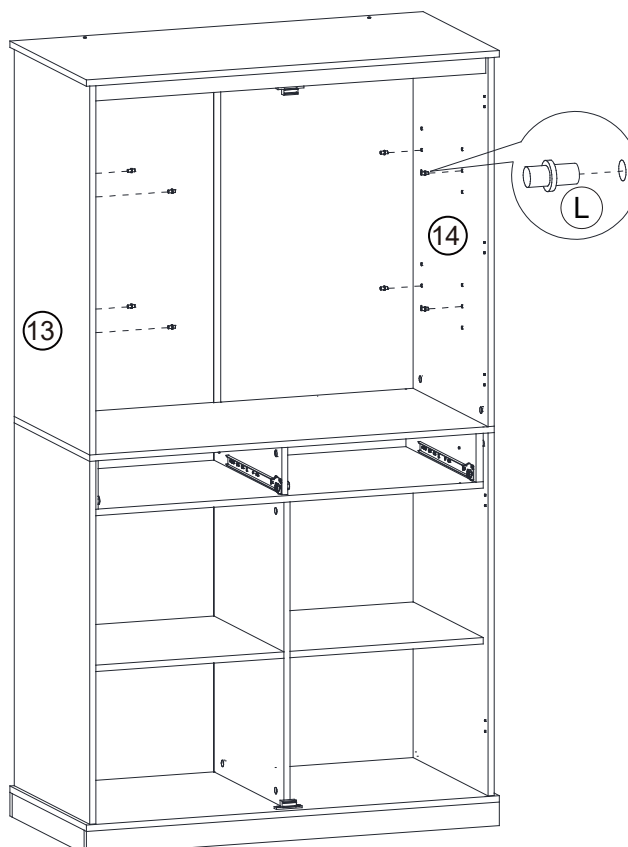


(K)

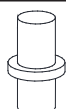


2.6*10mm Screw x 40

Step 28



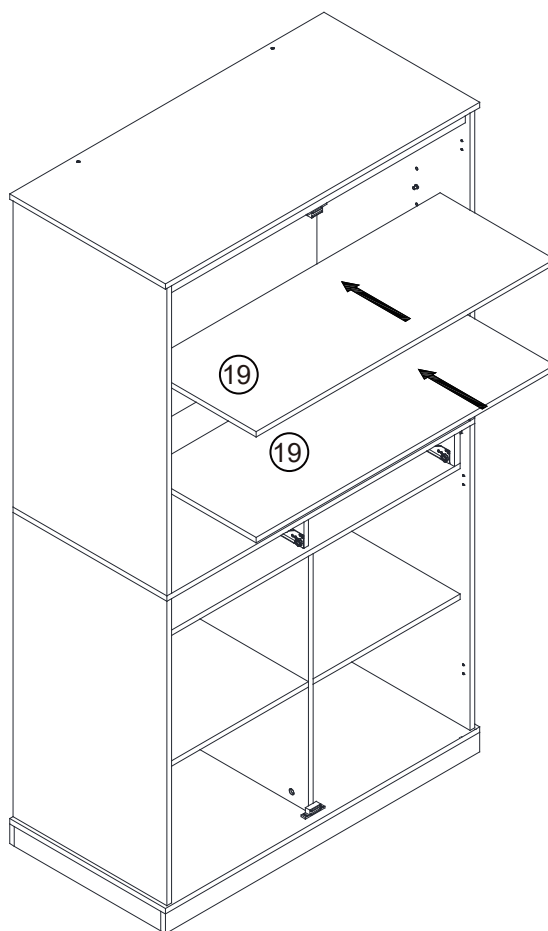
(L)



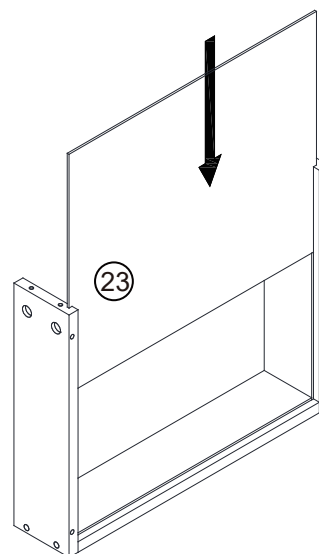
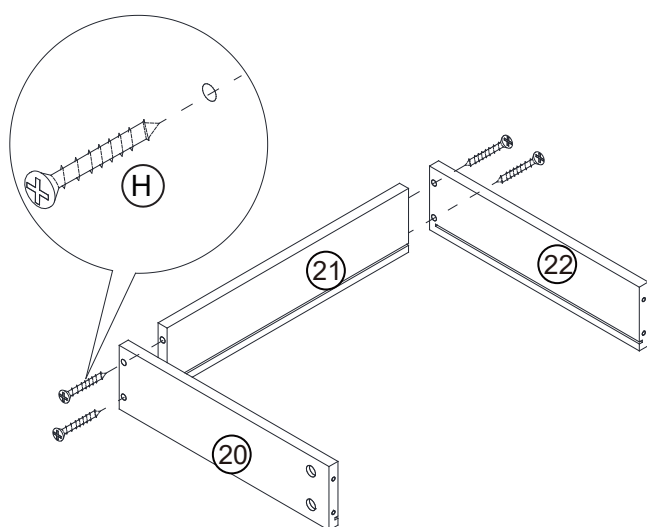
Shelf support pin x 8

Assembly Instructions

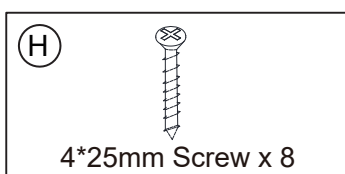
Step 29



Step 30

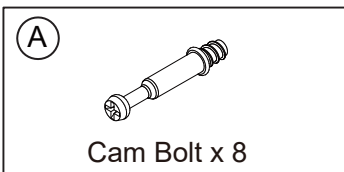
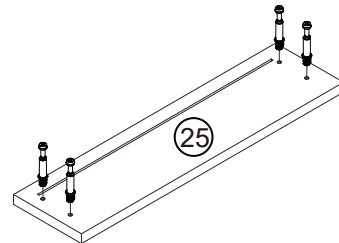
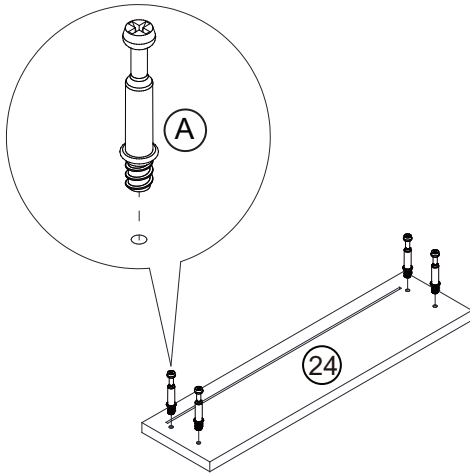


x2

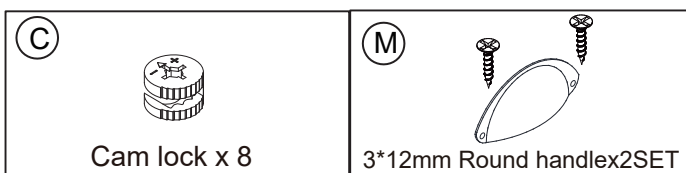
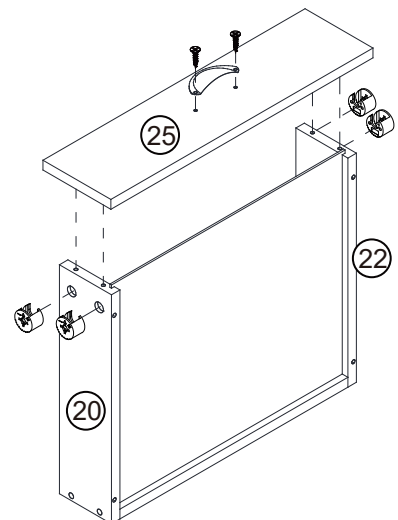
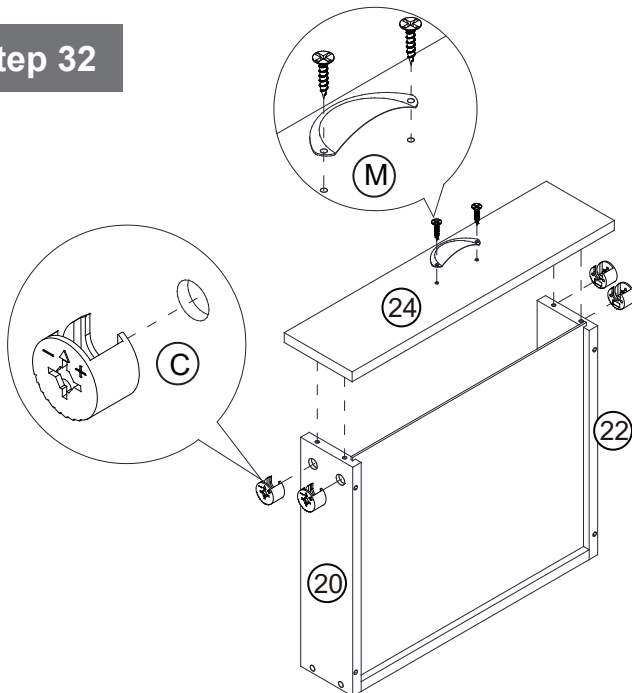


Assembly Instructions

Step 31

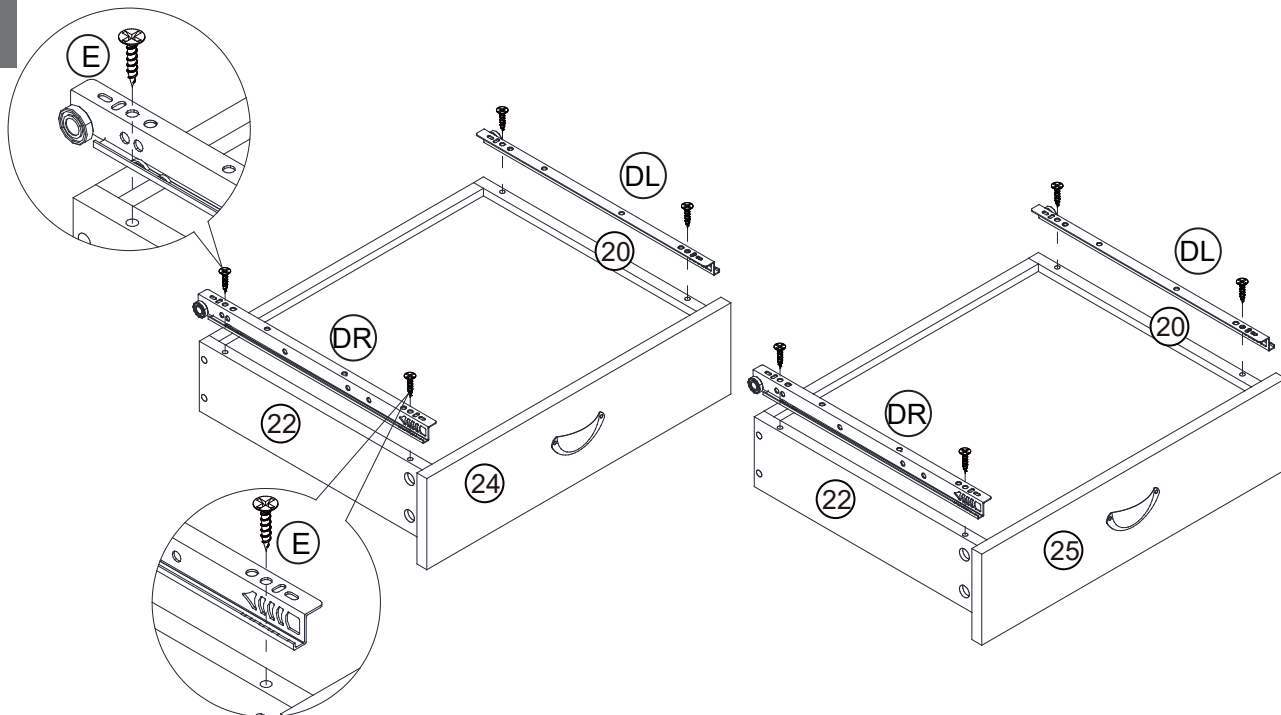


Step 32



Assembly Instructions

Step 33

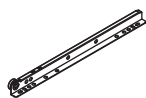


DL



350mm runner x 2

DR



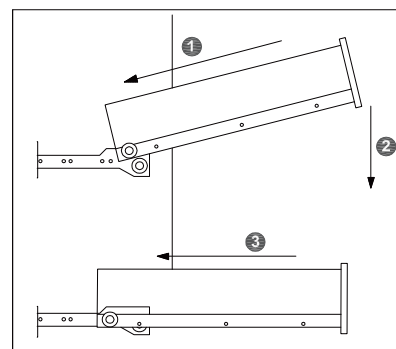
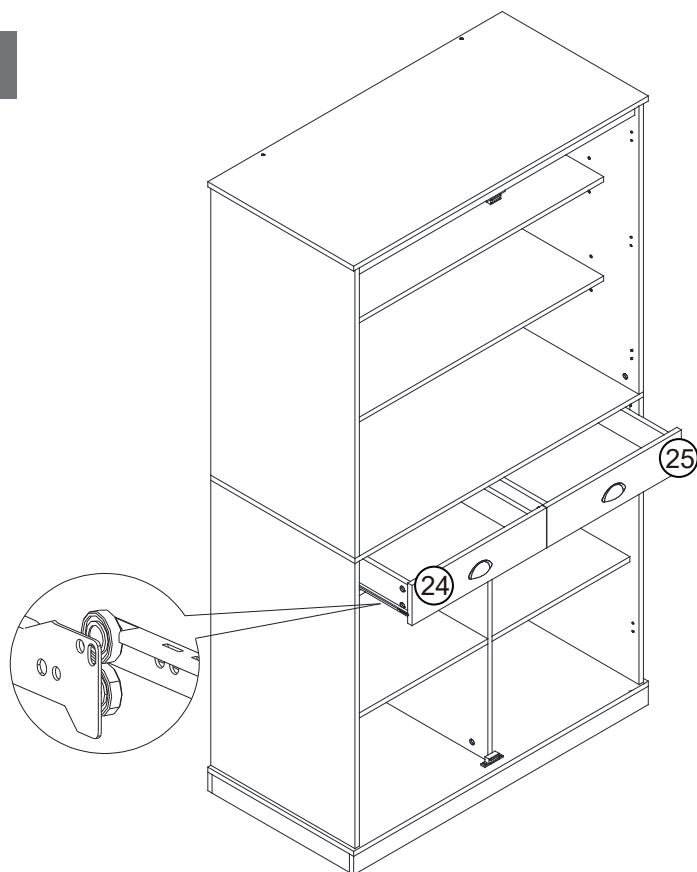
350mm runner x 2

E



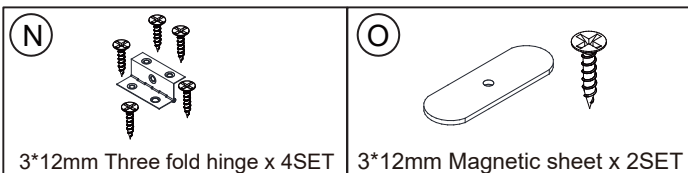
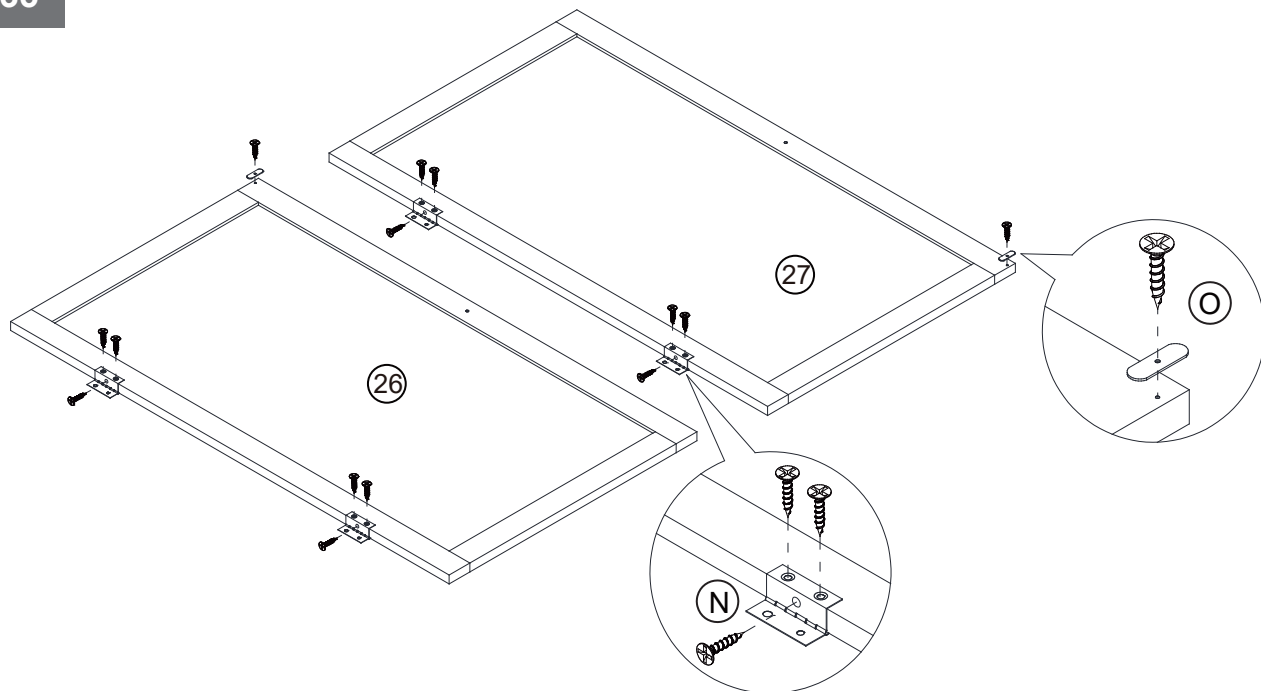
3*12mm Screw x 8

Step 34

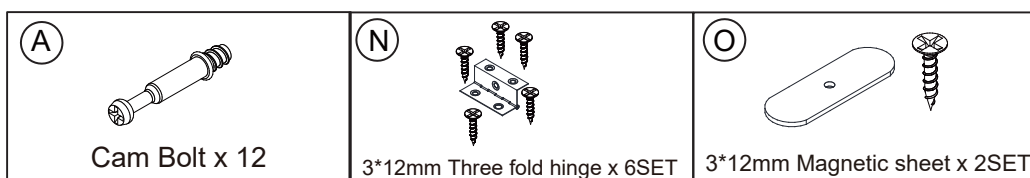
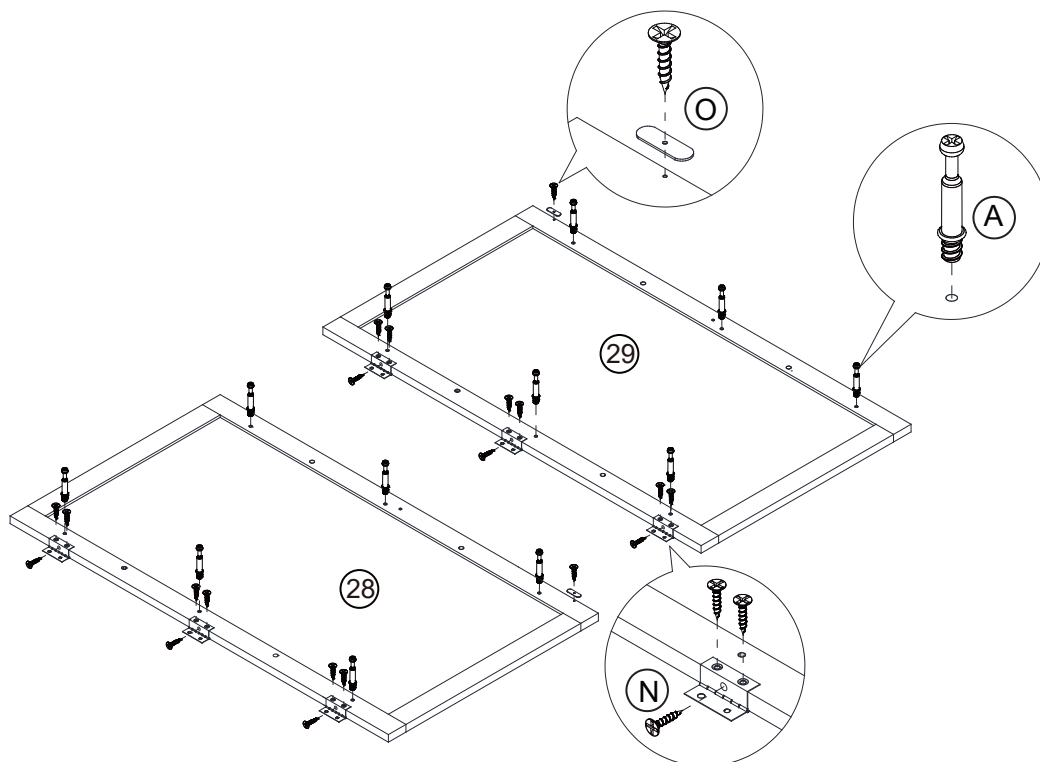


Assembly Instructions

Step 35

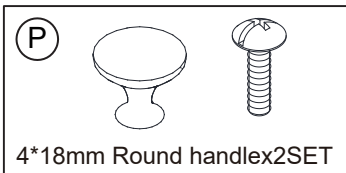
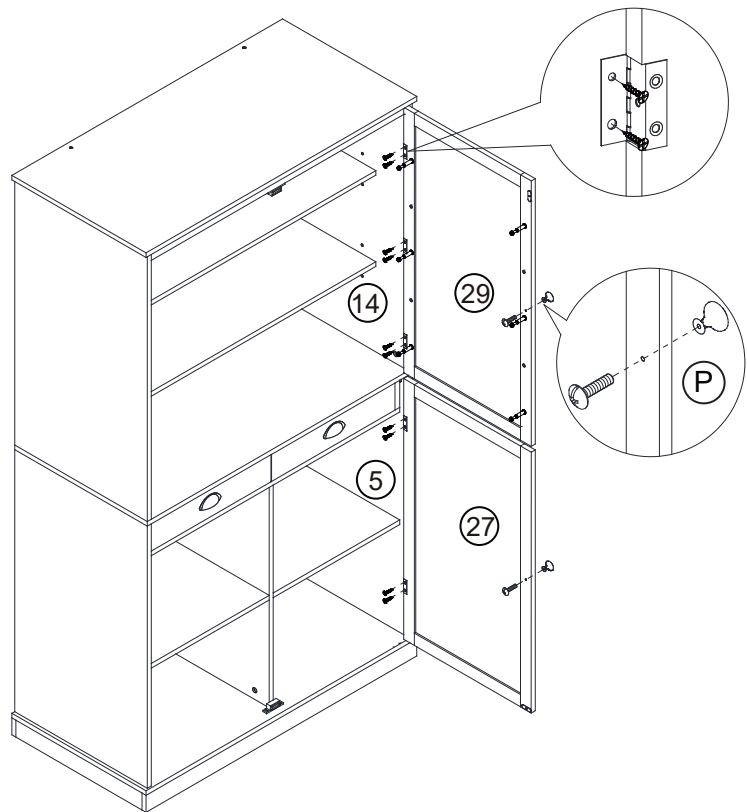


Step 36

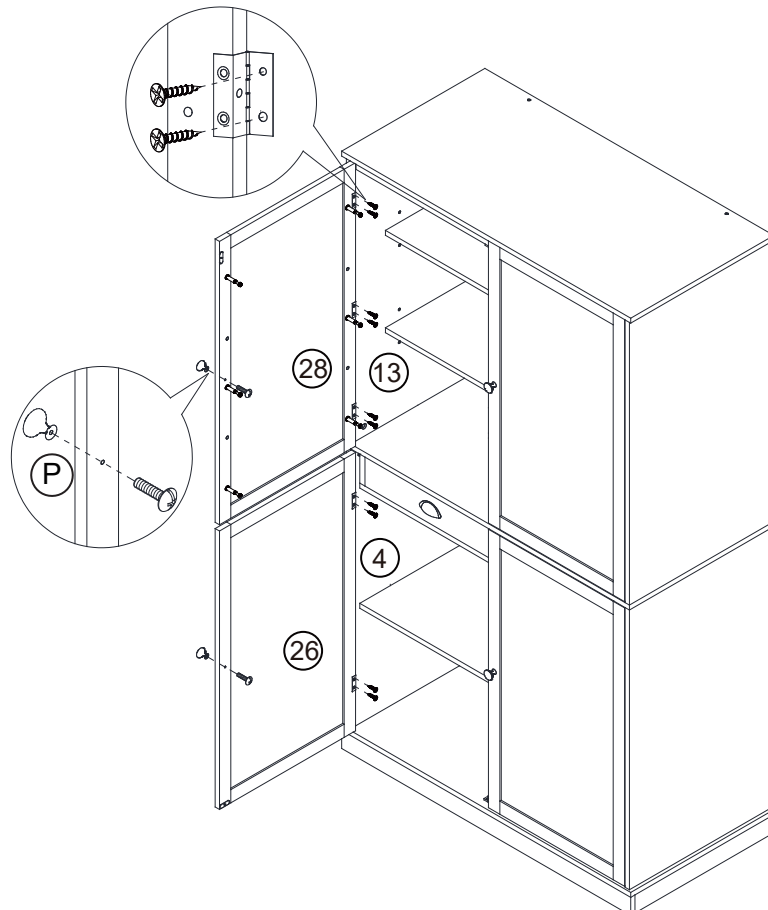


Assembly Instructions

Step 37

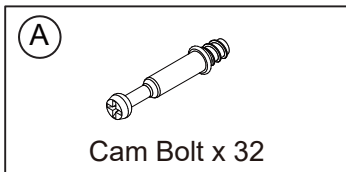
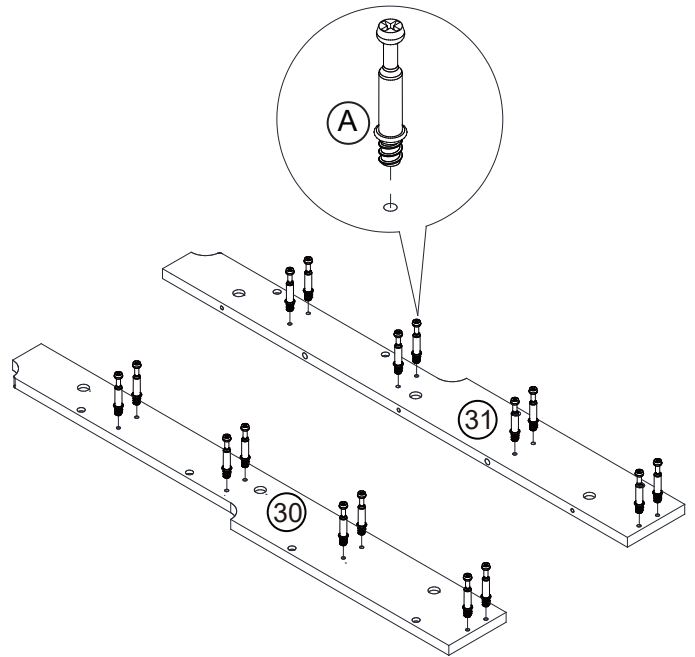
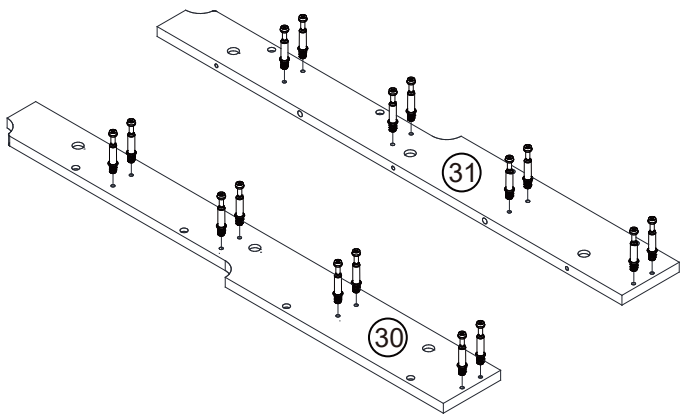


Step 38

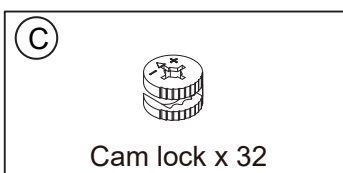
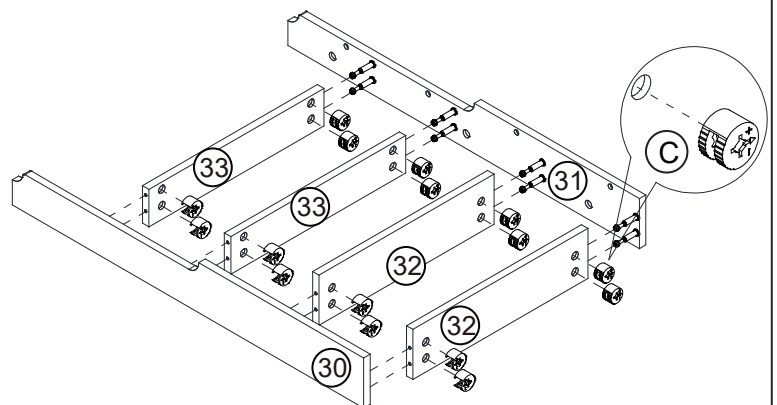
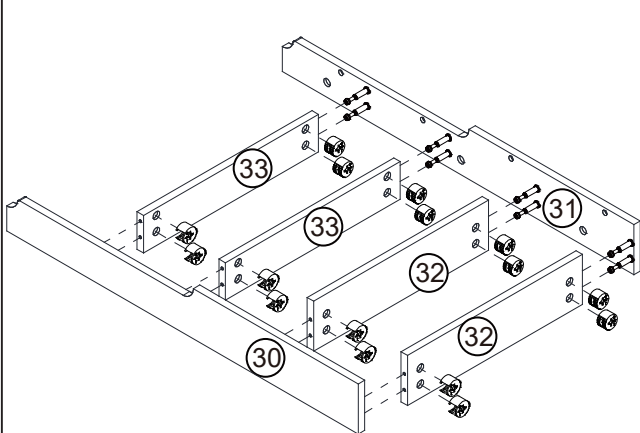


Assembly Instructions

Step 39

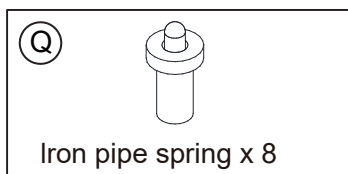
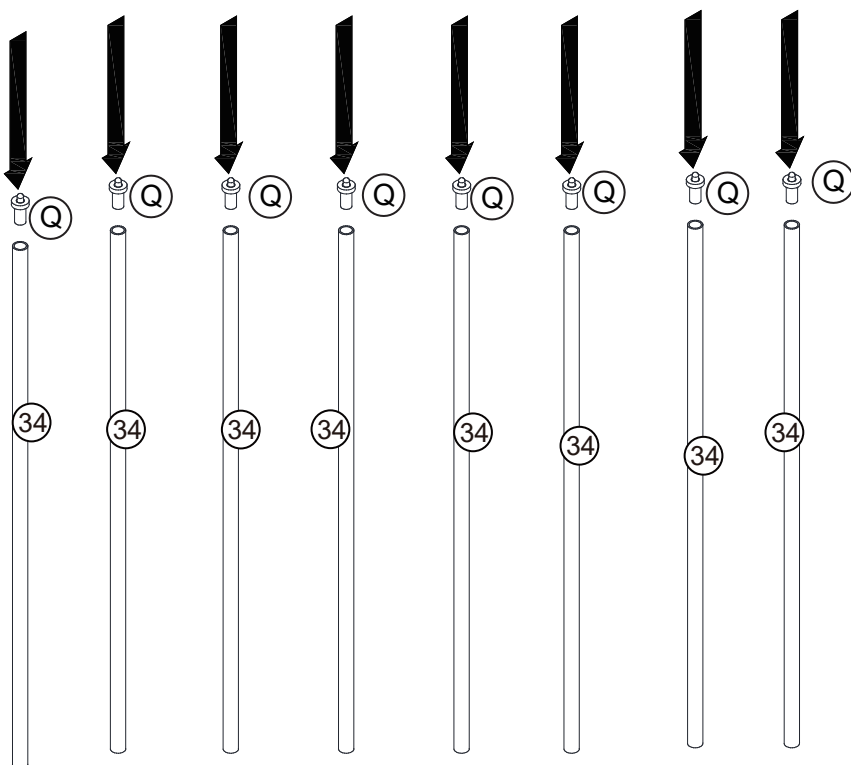
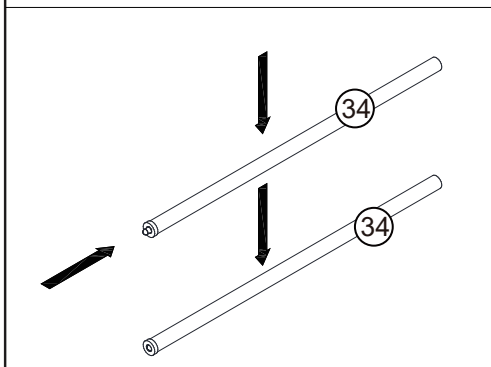


Step 40

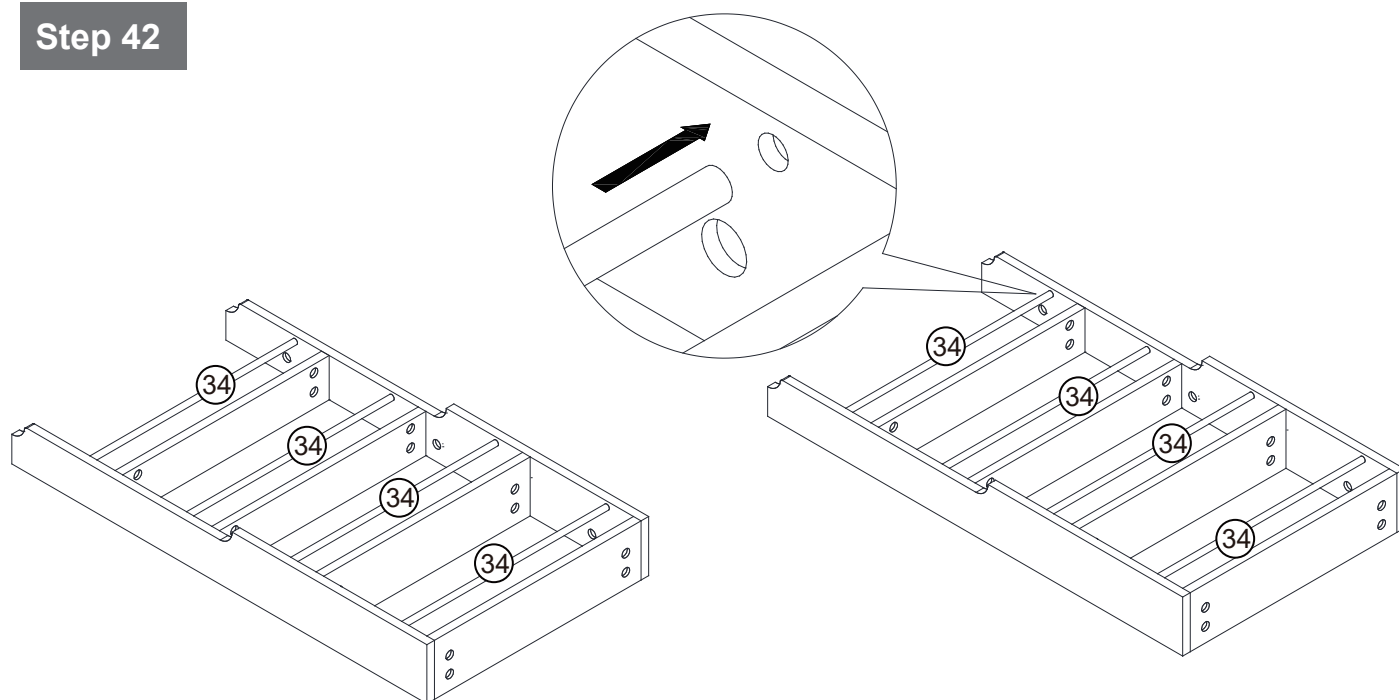


Assembly Instructions

Step 41

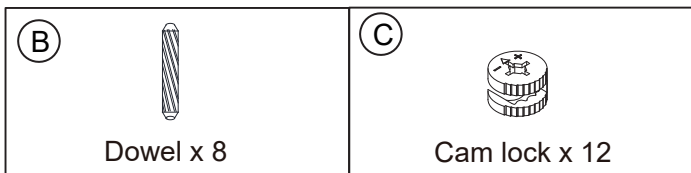
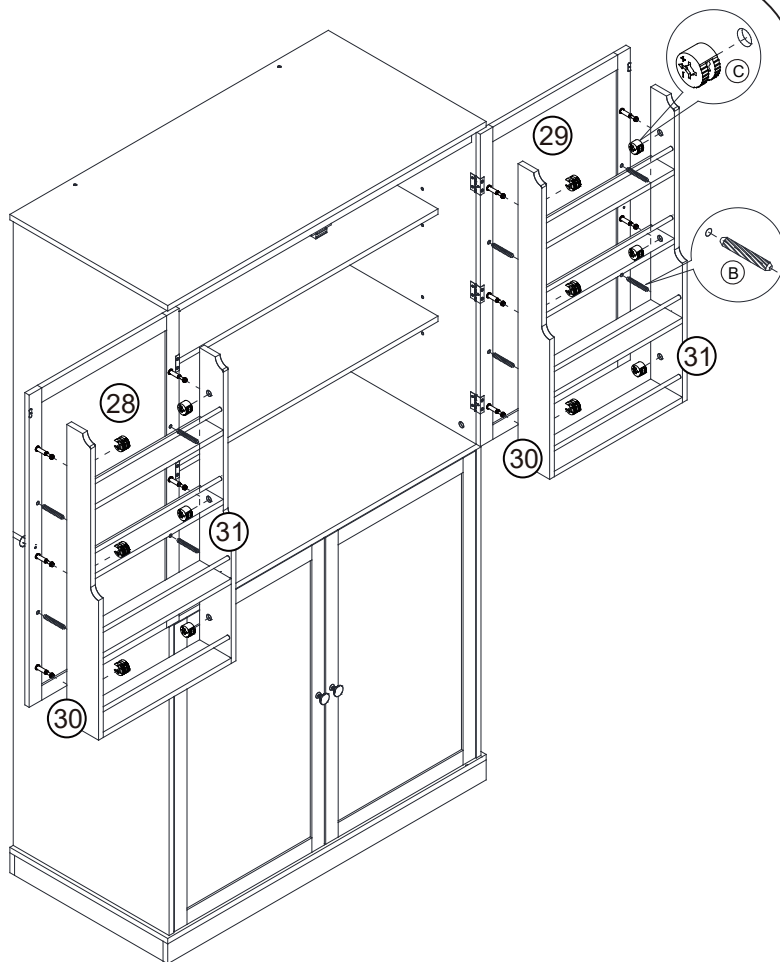


Step 42



Assembly Instructions

Step 43



Step 44

