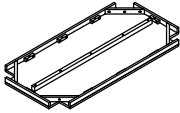
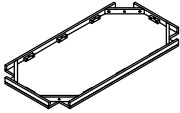




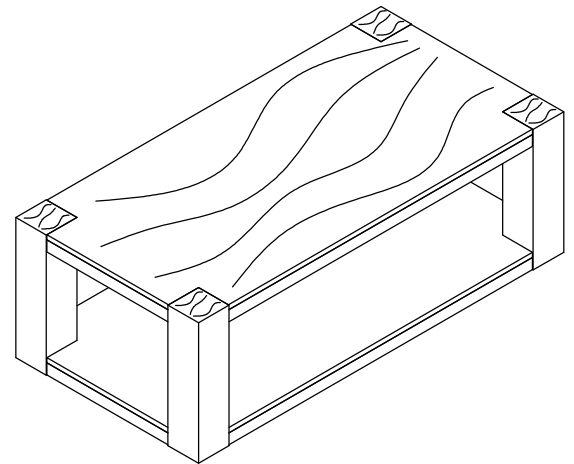
# ASSEMBLY INSTRUCTION

## T5611-01

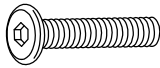


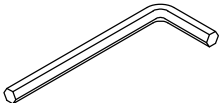
Thank you for purchasing this quality product. Be sure to check all packing material carefully for small parts which may have come loose inside the carton during shipment. Identify and count all parts compare with the hardware list below.

### Part List

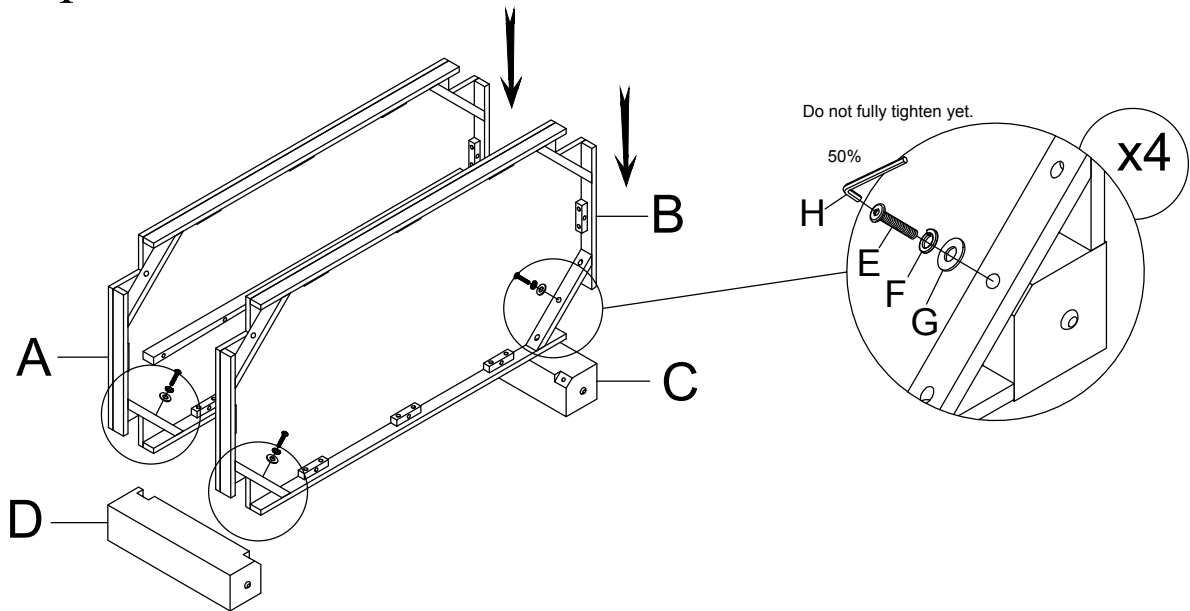
Item	Description		QTY
A	Bottom Frame		1
B	Top Frame		1
C	Leg 1		2
D	Leg 2		2



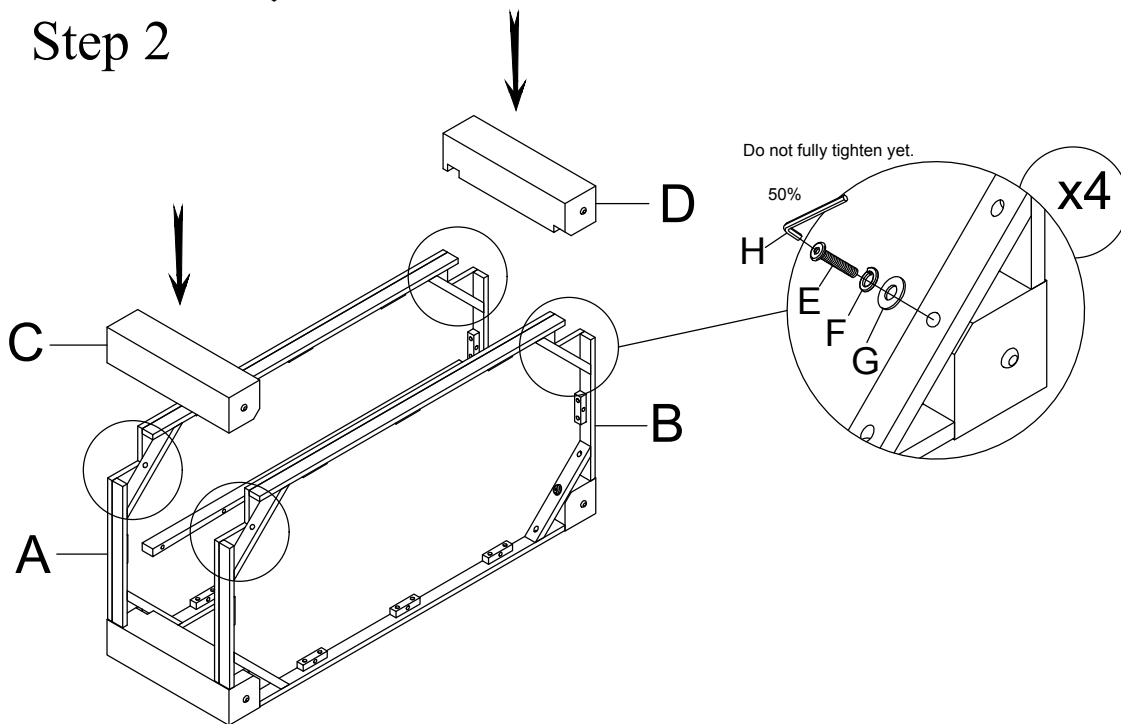
### Hardware List

Item	Description		QTY
E	Ø1/4"x45mm Bolt		8
F	1/4" Lock washer		8
G	1/4" Flat washer		8
H	Allen key		1

# Step 1

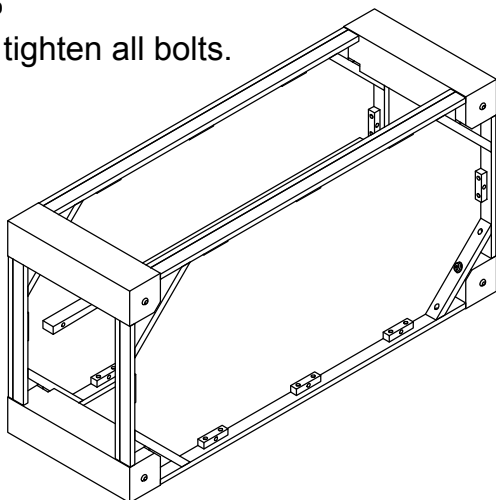


# Step 2



# Step 3

100%  
Fully tighten all bolts.



# Step 4 Complete!

