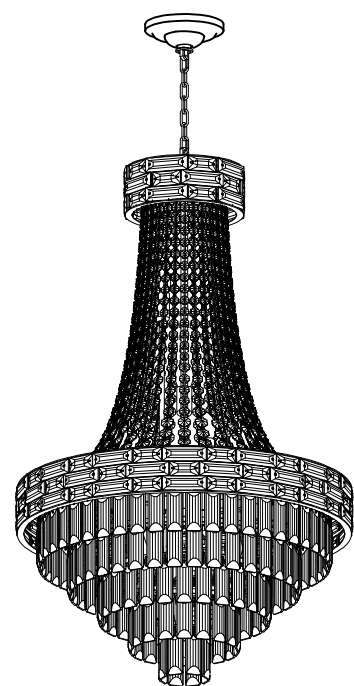


MANUAL BOOK



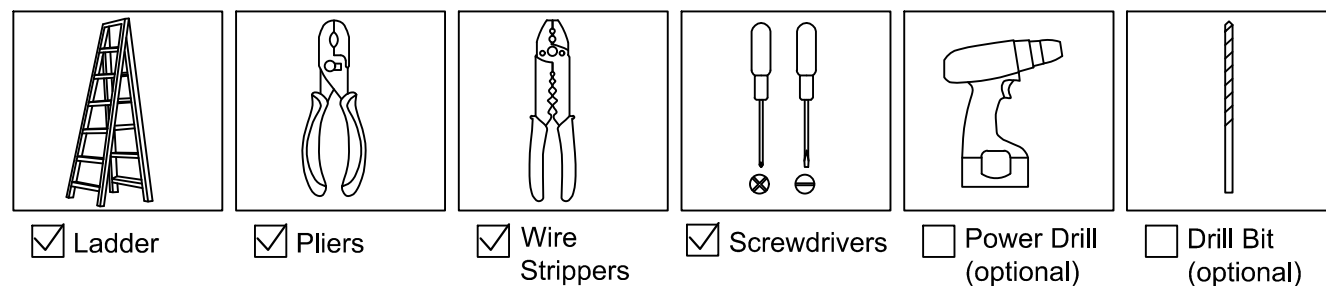
MAIN SPECIFICATIONS

Type	Chandelier
Fixture Size	D23.2 ",H35.8 "
Hanging Chain	Max.60"
Weight	Appr.40 LBS
Bulbs Required	12 E12 Bulbs (not included)
Wattage	Max.40W per Bulb
Voltage	110V-130V

PREPARATION

- Check if the packaging is complete and remove all accessories from the packaging
- Refer to the accessory list on pages 3 and 4, verify and familiarize with the parts. **Easily fragile/damaged/lost parts come with spare parts to ensure a smooth installation**
- If dimming function is required, please purchase suitable dimming bulbs and matching dimming switches
- Assembly will take time, especially for hanging crystals which is inevitable for most chandelier installations. Please be patient
- Please wear gloves for installation

Tools You Need



If mounting to a support structure, you will also need the optional tools.

WARNING/CAUTION

WARNING: FOR YOUR PROTECTION AND SAFETY-Carefully read and understand the information given in this manual before beginning assembly and installation. Failure to do so could lead to electric shock, fire or other injuries. **PRODUCT MUST BE INSTALLED BY A PERSON FAMILIAR WITH THE CONSTRUCTION AND OPERATION OF THE PRODUCT AND THE HAZARDS INVOLVED IN ACCORDANCE WITH THE APPLICABLE INSTALLATION CODE.**

BE SURE THE ELECTRICITY TO THE WIRES YOU ARE WORKING ON IS SHUT OFF; EITHER THE FUSE IS REMOVED OR THE CIRCUIT BREAKER IS TURNED OFF. TURNING THE POWER OFF USING THE LIGHT SWITCH IS NOT SUFFICIENT TO PREVENT ELECTRICAL SHOCK.

NOTE: The important safeguards and instructions appearing in this manual are not meant to cover all possible conditions or situations that may occur. It must be understood that common sense, caution, and care, are factors which cannot be built into any product. These factors must be supplied by the person(s) installing this unit.

READ & SAVE THESE INSTRUCTIONS

CAUTION: Before assembling the lighting fixture, refer to the section titled Wiring Connections. If you feel you do not have enough electrical wiring experience, either refer to a do-it-yourself wiring handbook or have your lighting fixture installed by a qualified, licensed electrician.

LIGHT BULBS REQUIRED

This fixture uses E12 bulb base, works with incandescent, LED, CFL, halogen or color changing bulbs up to 60W. Fully dimmable when used with dimmable bulbs and a compatible dimmer switch (not included).

Due to different requirements, in order to avoid waste, **BULBS ARE NOT INCLUDED IN THIS ITEM.** Please purchase the right bulbs you need.

12 pieces E12 bulbs are required for this light fixture.

Trouble Shooting

1. Missing/Broken Parts

• Make a list of the missing/broken parts according to the packing list, take photos for broken parts, then email us for free replacements. (If spare parts in package is still insufficient)

2. Bulbs Do Not Light Up

- Check your power and switch to make sure it's power on.
- Check the bulb to make sure it's installed correctly.
- Change a new bulb.
- Check the wires to make sure they are connected correctly.

3. Bulbs Flicker/Noisy Operation

- Check the bulb to make sure it's installed correctly.
- Change a new bulb.
- Make sure your bulb is dimmable if you use a dimmer switch.

4. Could Not Install/Assemble

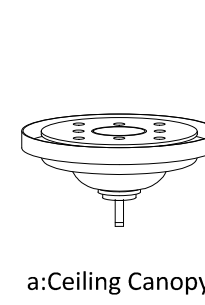
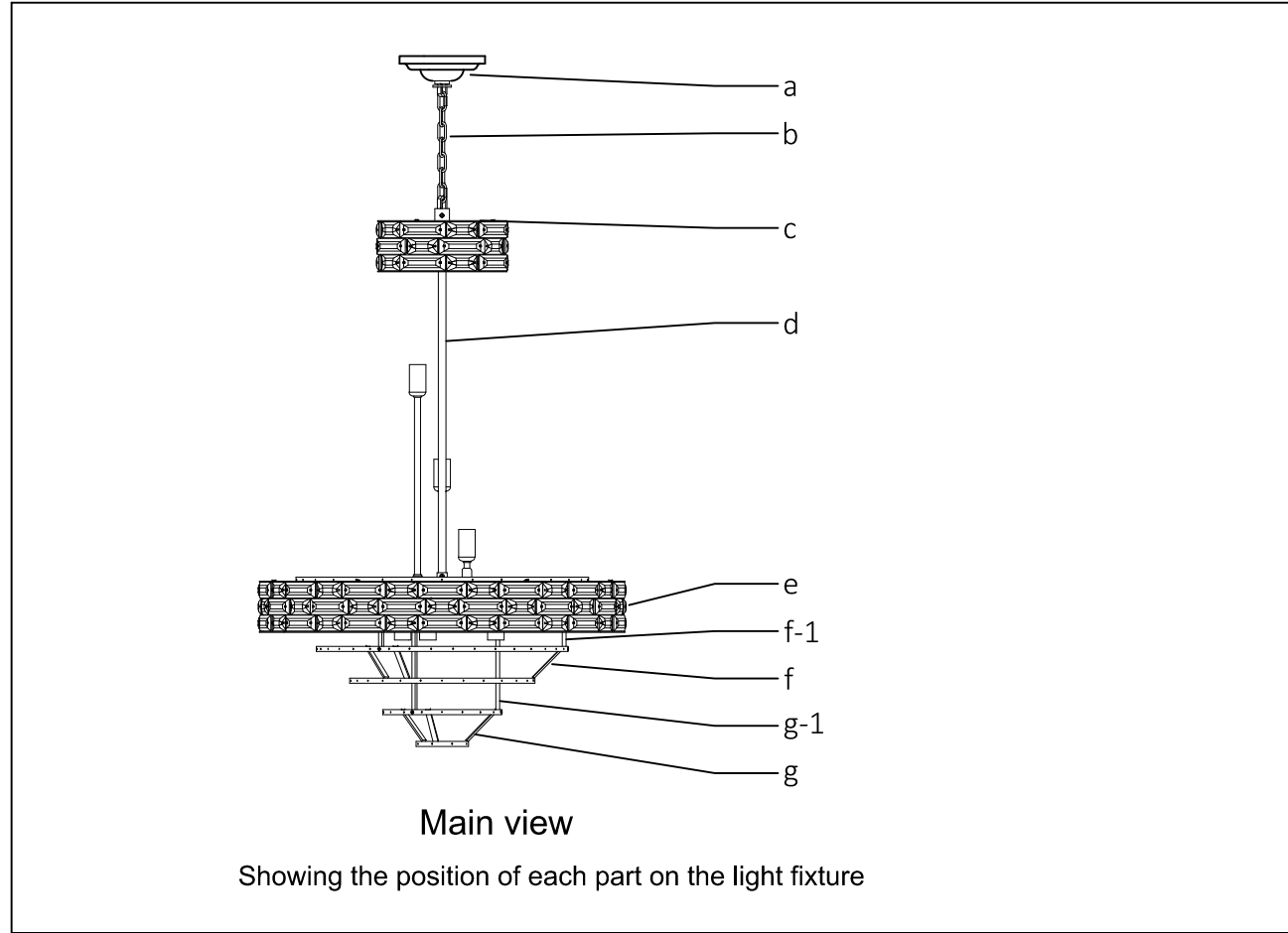
- Take photos of the ceiling/fixture, contact seller for technical support.

Trouble Shooting

To clean, wipe fixture with soft cloth. Spray from chemical cleaners can discolor the finish of fixture. Do not use scouring pads, powders, steel wool or abrasive paper to clean this fixture.

PACKING LIST

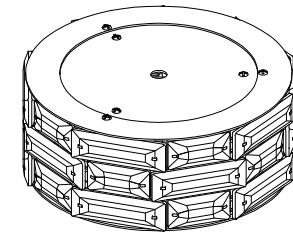
Check the contents to be sure everything is included



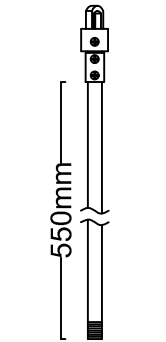
a: Ceiling Canopy



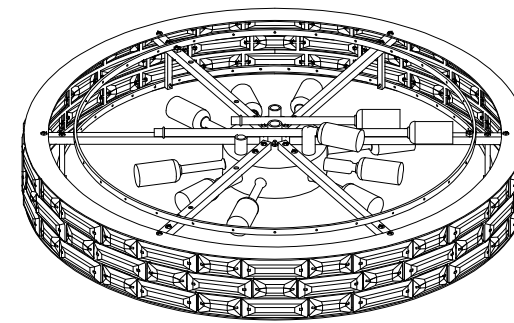
b: Metal Chain



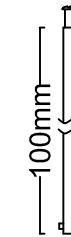
c: Lamp Frame-1



d: Center Rod



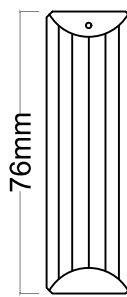
e: Lamp Frame-2



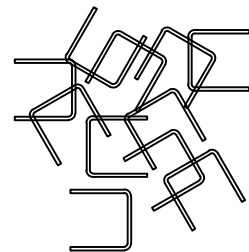
f-1: Connection bar-1(3 pcs)



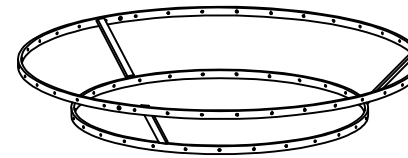
A: crystal strings (30pcs)



B: Crystals(137pcs)



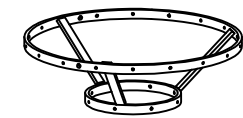
C: Metal Pins



f: Frame-3



g-1: Connection bar-2(3 pcs)



g: Frame-4

OTHERS

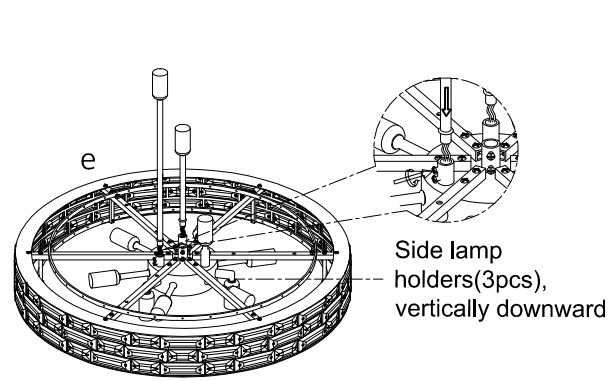
- Main Spare parts
Parts A(2 pcs),Parts B(13 pcs)
- White gloves(1 pair)
- Fittings bag(1 bag,Screws and other small accessories)
- Installation manual(1 set)

CRYSTAL LIST

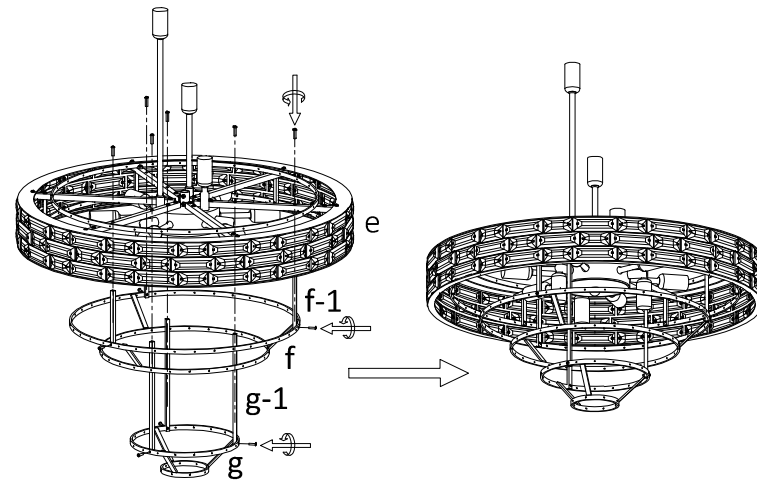
Showing style and quantity of crystals(You need to connect the crystal pendants by yourself)

FIXTURE INSTALLATION

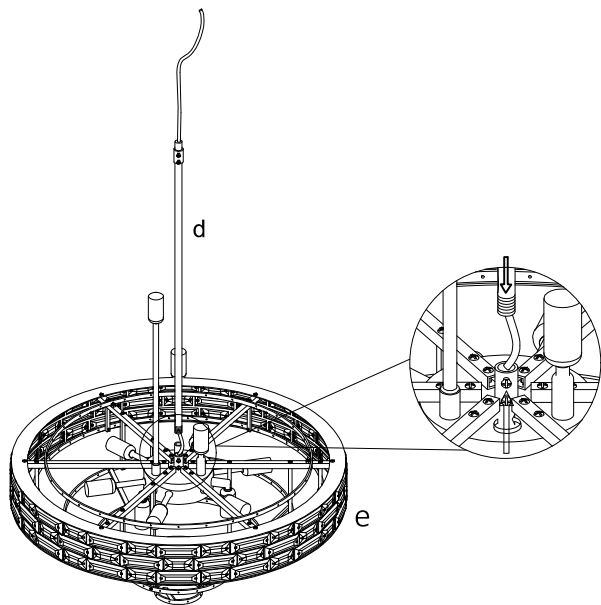
1. Assembly of lamp frame



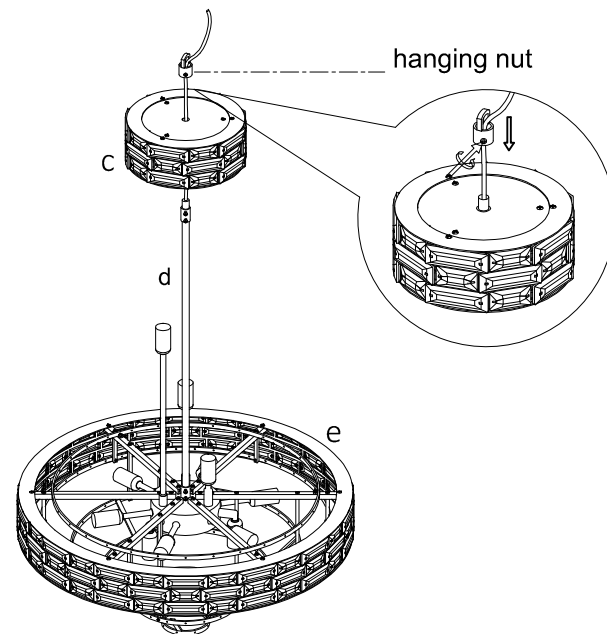
1): Fix and adjust lamp holders as shown. Insert the folded lamp head into the lamp box and secure it with screws, and adjust the side lamp holder downward.



2): Install lamp frame-3 (f) on lamp frame-2 (e) via connection bar-1 (f-1) with screws, then install lamp frame-4 (g-1) on lamp frame-2 (e) via connection bar-2 with screws.

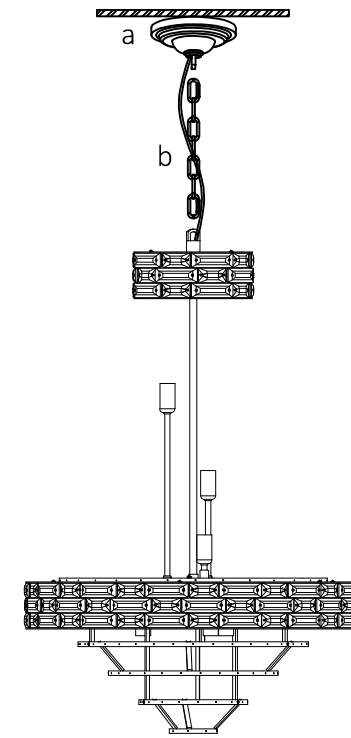


3): Pass main wire through center rod (d), then install center rod (d) on lamp frame-2 (e) and fix it with screws.

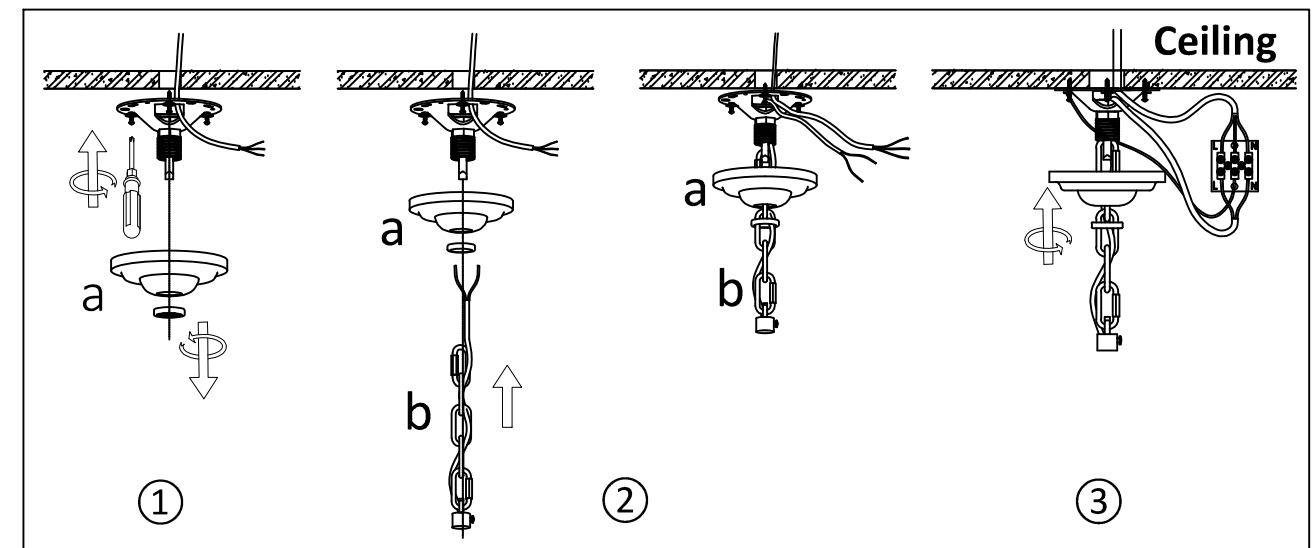


4): Take apart the hanging nut from center rod (d), put lamp frame-1 (c) on center rod (d), then install hanging nut on center rod, and fix it with screws as shown.

2. MOUNTING & WIRING (⚠ Shut off main power at the circuit breaker or fuse panel before installation)



Take apart mounting bracket from ceiling canopy (a), Then follow the steps below to hang up the lamp frame and wiring.



① Take apart mounting bracket from ceiling canopy (a), and install mounting bracket on ceiling with screws.

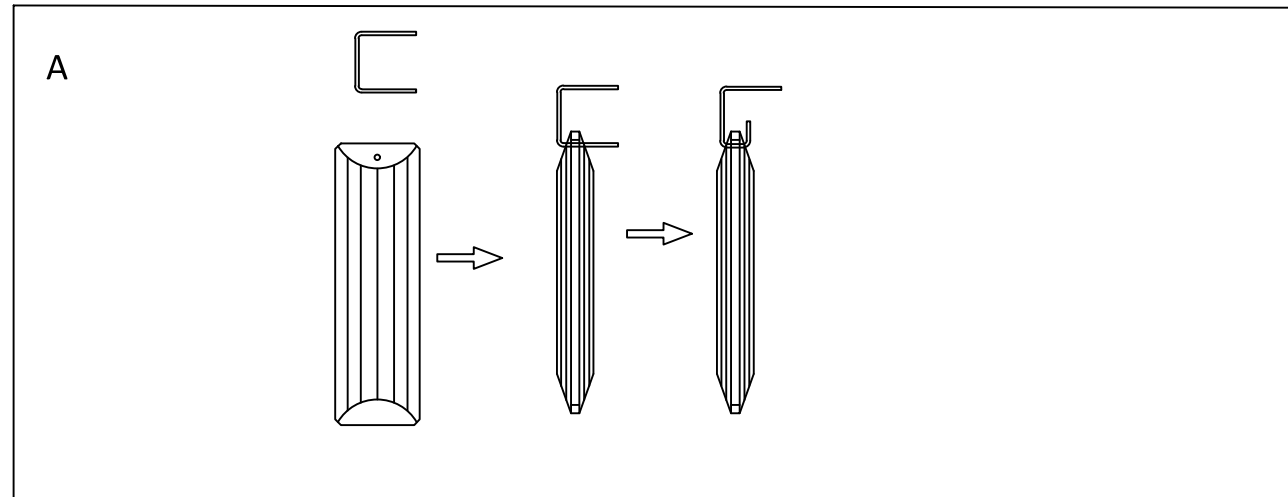
② Connect one end of metal chain (b) with lamp frame, then pass the main wire and metal chain (b) through ceiling canopy, and connect the other end of metal chain with mounting bracket.

③ Connect main wire with housing wire, then lock ceiling canopy on mounting bracket (The main wire is a transparent line, with one branch serving as the N line and the other as the L line, and there is no need to strictly distinguish between them, the bare copper wire as ground wire). then put on bulbs and power-on test.

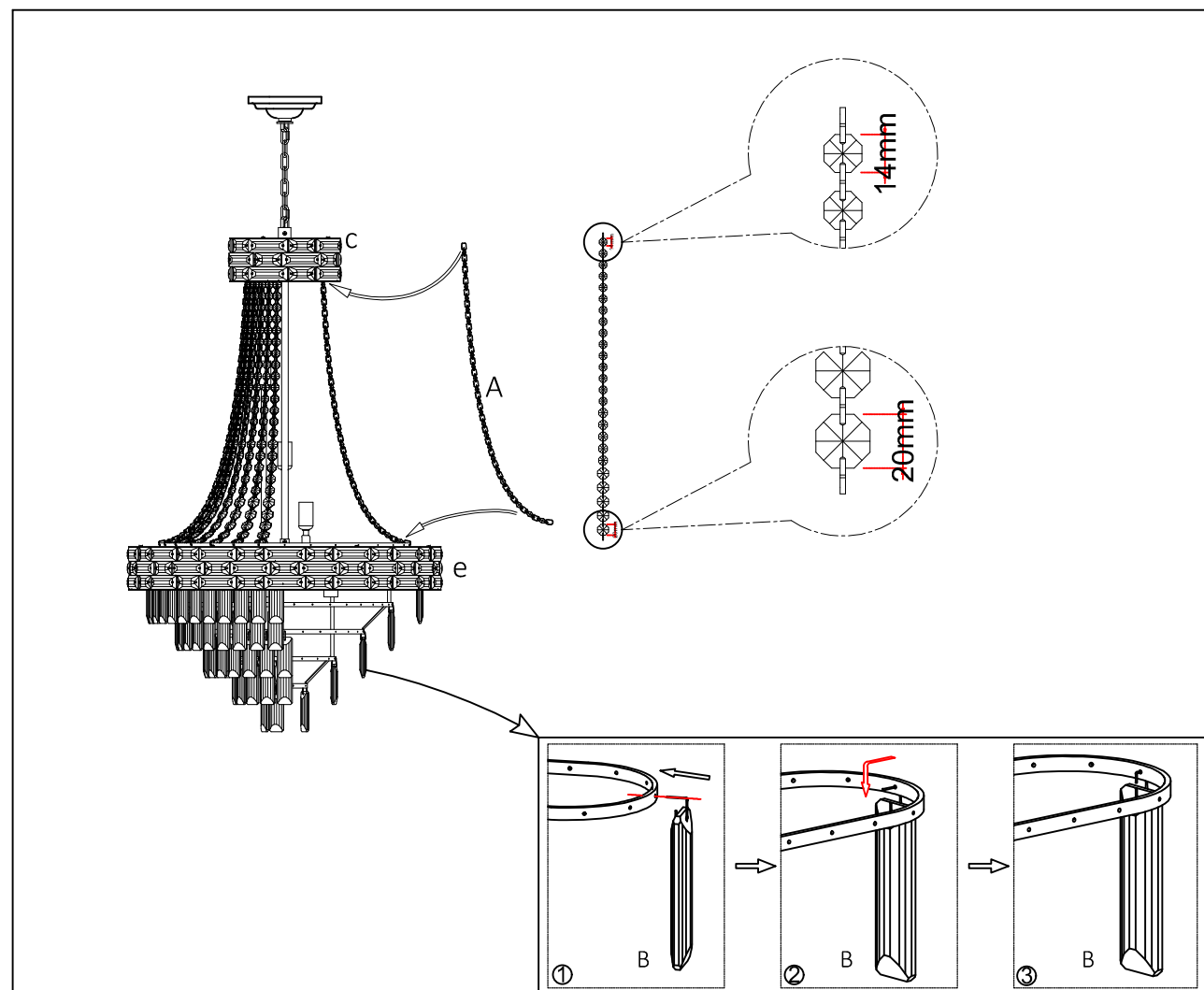
FIXTURE INSTALLATION

3.Hanging Crystals

(This step will take long time,please be patient,you are about to complete a great project.)



1.Connect crystals with metal pins as shown



2.Hang all the crystals as shown(Please hang crystals in order from bottom to top)

Note: If crystal breakage occurs during transportation or installation, do not worry, there are extra spare parts in the packaging

We provide 24-hour customer service,and any questions you have will be answered within 24 hours,if you have any questions or problems,please feel free to contact us,your order ID and details are needed so that our customer service will help you more quickly and accurately!
Have a nice day!