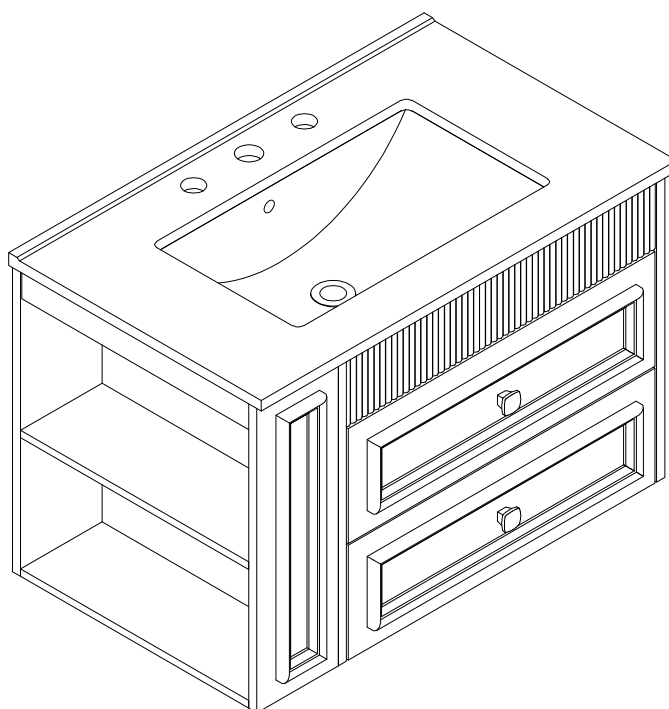


ASSEMBLY INSTRUCTIONS

BATH VANITY-CABINET

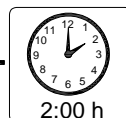
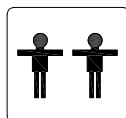
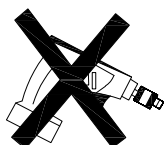


Thank you for purchasing this quality product. Be sure to check all packing material carefully for small parts which may have come loose inside the carton during shipment. Separate, identify and count all parts and hardware.

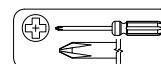
Compare with the parts list to be sure all parts are present.

DO NOT TIGHTEN SCREWS UNTIL COMPLETELY ASSEMBLED

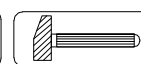
***Use of power tool to assemble this product will invalidate any claim and damage this product making unsafe!!!**
*** Please assemble on a clean soft surface to avoid damage.**



Tools Required



(Not included)

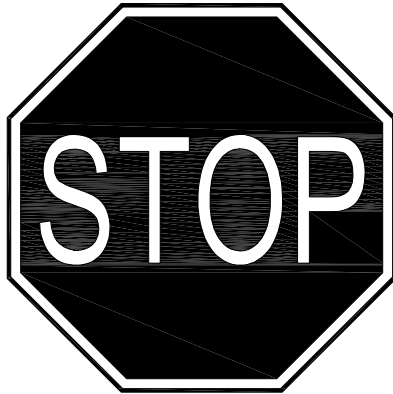


(Not included)

IMPORTANT:

PLEASE READ INSTRUCTION BEFORE STARTING THE ASSEMBLY

PLEASE DO NOT RETURN TO STORE



**Please do not return this product to the retailer!!
We are able to assist you in ANY way**

If you find that you have any trouble with assembly or missing or damaged parts please contact the seller.

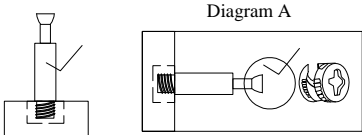
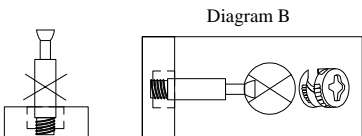
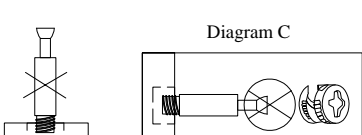
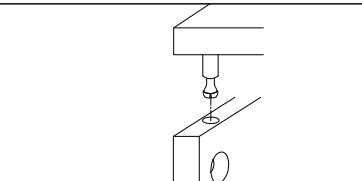
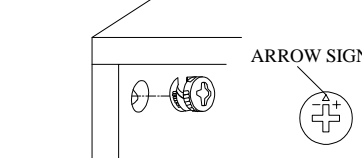
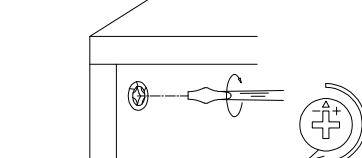
Before Installation

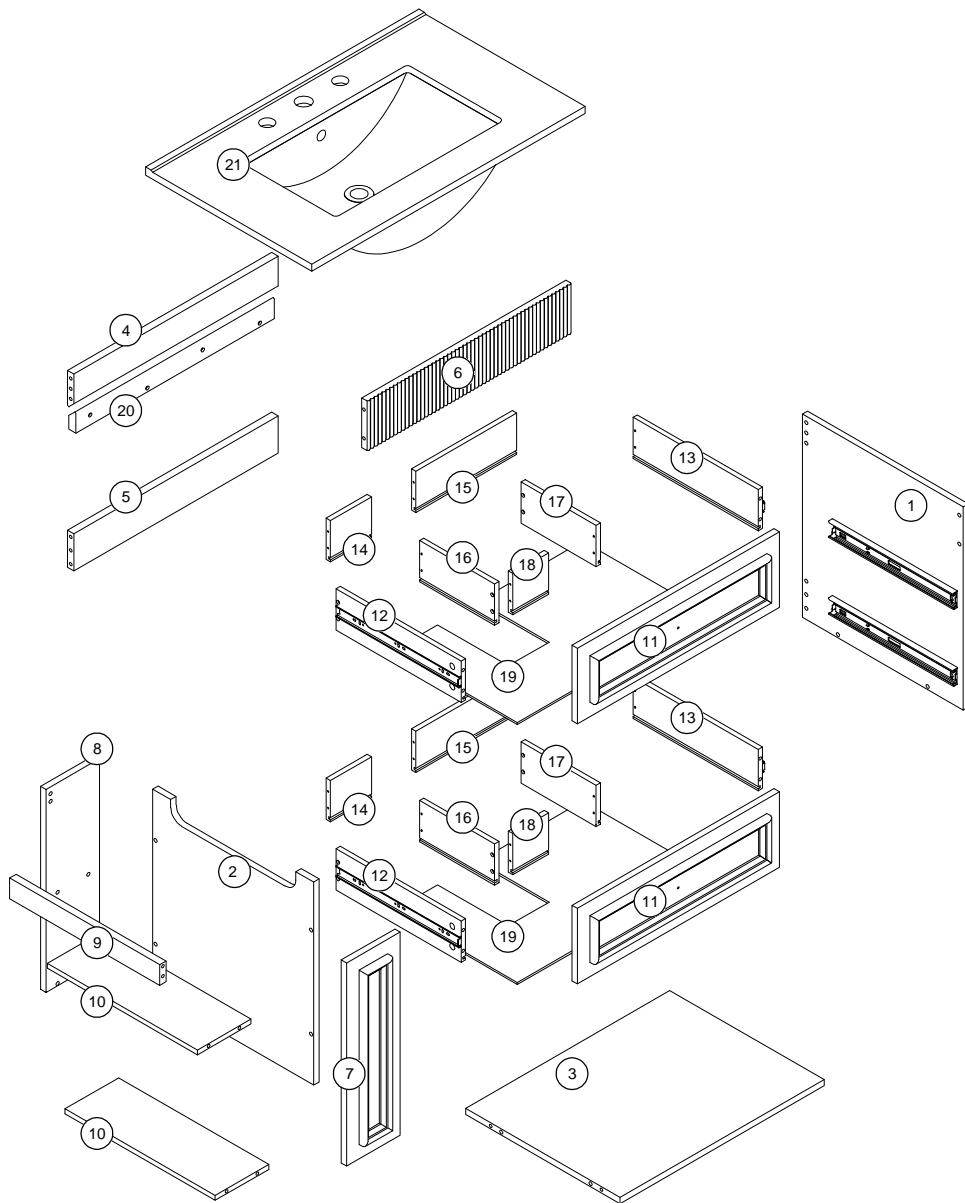
Important- Please read these instructions fully before starting assembly

Thank you for purchasing this quality product. Be sure to check all packing materials carefully for small parts, which may have come loose inside the carton during shipment. Identify and count all items according to the PARTS LIST and/or HARDWARE LIST shown below. Check you have all the components and tools listed on the following pages.

- We recommend that you assemble this product with the assistance of another person; this will make the assembly easier, and will help eliminate damage to the product or injury to persons during assembly.
- Please do not over tighten screws or bolts until the assembly is completed.
- Keep children and animal away from the work area, small parts could choke if swallowed.
- Please put all parts on a non-abrasive floor before assembly, and follow the assembly steps to assemble your newly purchased product correctly and efficiently.

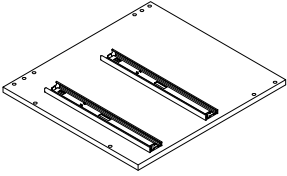
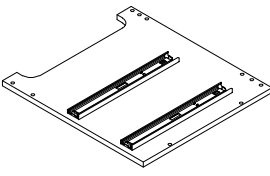
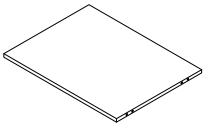
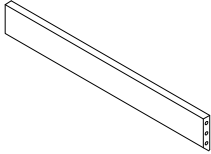
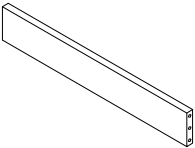
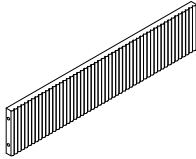
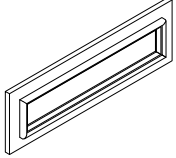
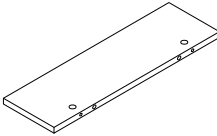
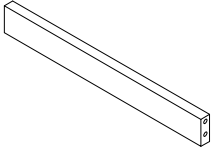
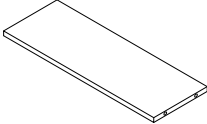
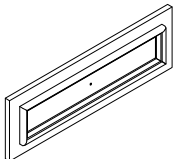
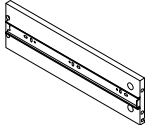
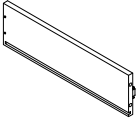
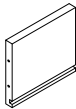
Cam Lock Assembly Instructions

	<p>Diagram A</p> <p>Insert Cam Ball into hole as shown in diagram A.</p>
	<p>Diagram B</p> <p>Make sure not to insert the Cam Bolt: Too deep as shown in figure B as this will cause the cam Lock to be misaligned and unable to interlock properly.</p>
	<p>Diagram C</p> <p>Also avoid inserting the Cam Bolt too close to the surface of the hole as shown in figure C, as this will cause the Cam Lock to be too loose, and not interlock properly.</p>
	<p>Connect the panels together.</p>
	<p>ARROW SIGN</p> <p>Insert the Cam Lock so the side opening fits over the head of the Cam Bolt.</p>
	<p>To tighten the Cam Lock, turn it clockwise on half a turn with a flat screwdriver. <i>*Do not use an automatic screwdriver as it may bend or break if too much power is imposed.</i></p>



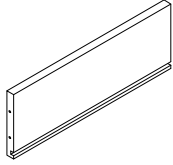
Identifying the Hardware-Identify the hardware using the illustrations below.

Part Lists

<p>1</p>  <p>Side frame (R) - 1pc</p>	<p>2</p>  <p>Mid Panel - 1pc</p>
<p>3</p>  <p>Bottom Panel (R) - 1pc</p>	<p>4</p>  <p>Top Rear Crossbar - 1pc</p>
<p>5</p>  <p>Bottom Rear Crossbar - 1pc</p>	<p>6</p>  <p>Front Panel - 1pc</p>
<p>7</p>  <p>Front Panel (L)- 1pc</p>	<p>8</p>  <p>Rear Panel - 1pc</p>
<p>9</p>  <p>Side Crossbar - 1pc</p>	<p>10</p>  <p>Bottom Panel (L) - 2pcs</p>
<p>11</p>  <p>Face Drawer - 2pcs</p>	<p>12</p>  <p>Side Drawer Panel (L) - 2pcs</p>
<p>13</p>  <p>Side Drawer Panel (R) - 2pcs</p>	<p>14</p>  <p>Small Back Panel Drawer - 2pcs</p>

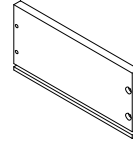
Part Lists

15



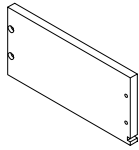
Big Back Panel Drawer - 2pcs

16



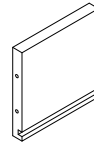
Side "U" Panel Drawer (L) - 2pcs

17



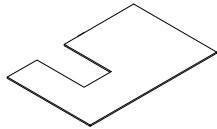
Side "U" Panel Drawer (R) - 2pcs

18



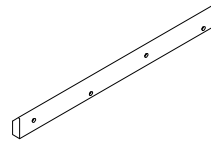
Back "U" Panel Drawer - 2pcs

19



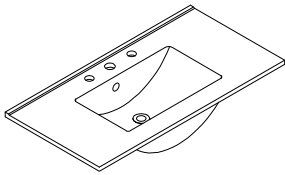
Bottom Panel Drawer - 2pcs

20



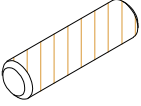
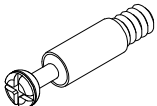
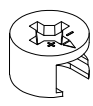
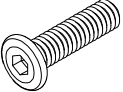

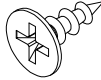
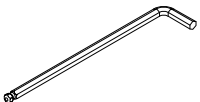
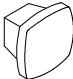


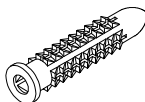
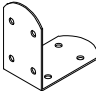

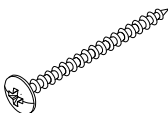
Hanging Rail - 1pc

21

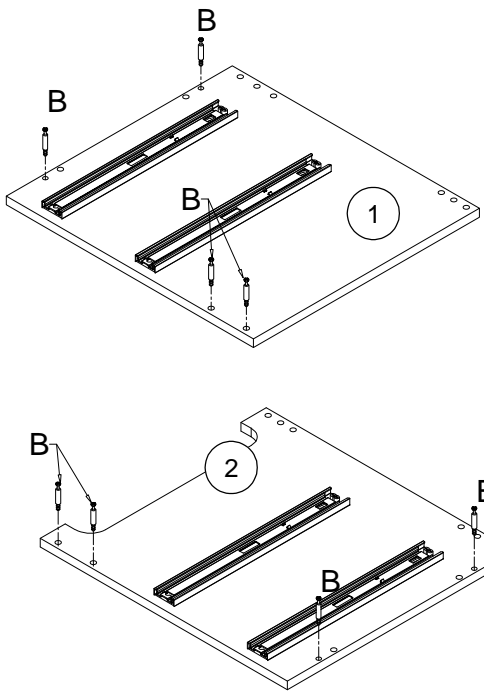


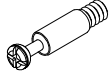
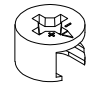


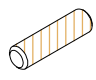
Sink - 1pc

Hardware Lists

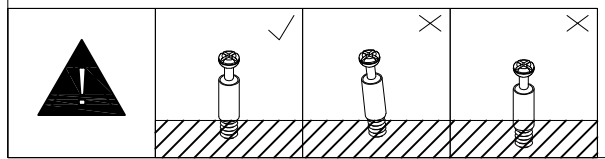
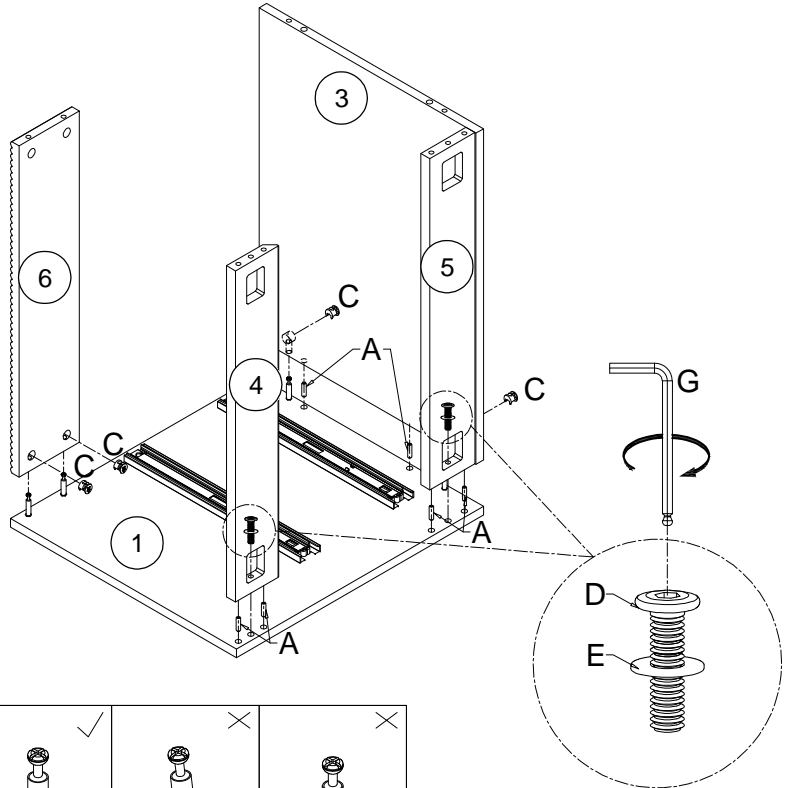
A  Ø8*30mm Wood dowel 18 pcs	B  Ø6*32mm Three in one bolt (28pcs) + 1Pc	C  Ø14.5*9.5mm Three in one lock (28pcs) + 1 Pc
D  Ø13xM6*30mm Hex-Head bolt (6pcs)+1Pc	E  Flat washer (4 pcs)+1Pc	F  Ø8xØ3.5*10mm Flat head screw (4pcs)+1Pc
G  K4mm Allen key (1pc)+1Pc	H  Knob (2pcs)	I  Ø8xM4*22mm Handle screw (2pcs)
J  Ø8xØ6*50mm Flat head screw (8pcs)+1Pc	K  Wall Plug (8pcs)+1Pc	L  L Bracket (2 pcs)
M  Ø10*10mm Plastic Canopy (24pcs)+1Pc	N  Ø8xØ4*50mm Round head screw (24pcs)+1Pc	

STEP: 1

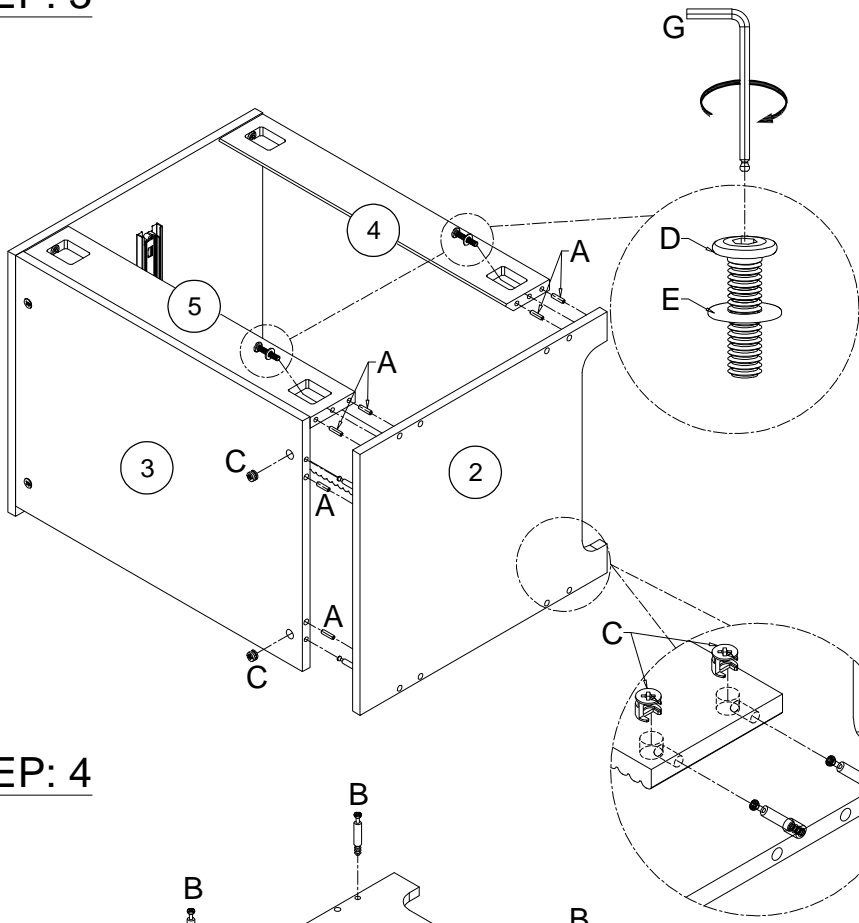


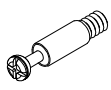
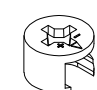


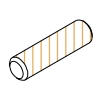
B 	C 
8pcs	4pcs
D 	E 
2pcs	2pcs
A 	
6pcs	

STEP: 2

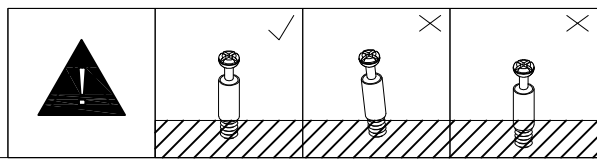
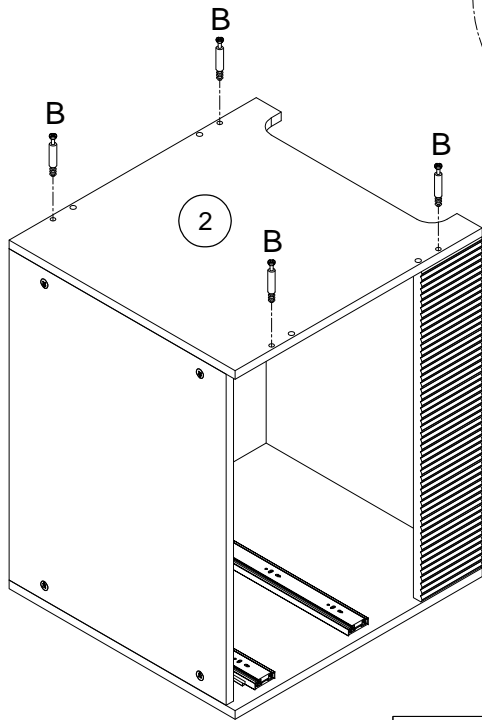


STEP: 3

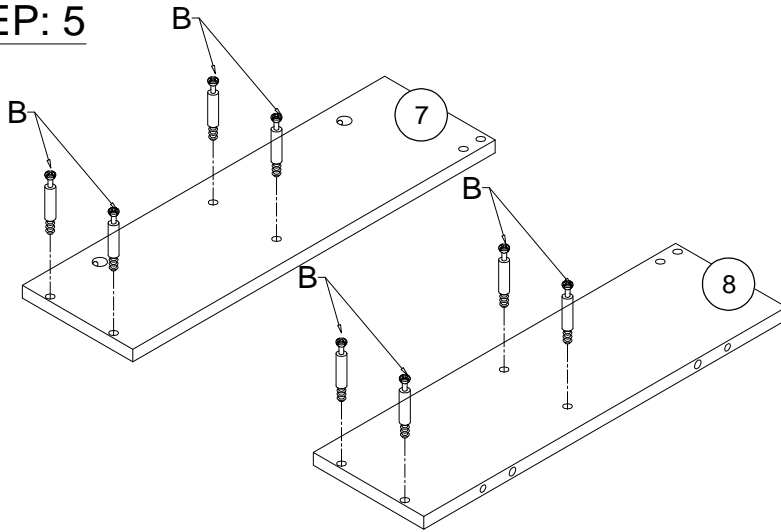


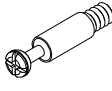
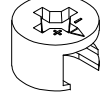

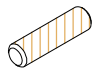
B 	C 
4pcs	4pcs
D 	E 
2pcs	2pcs
A 	
6pcs	

STEP: 4

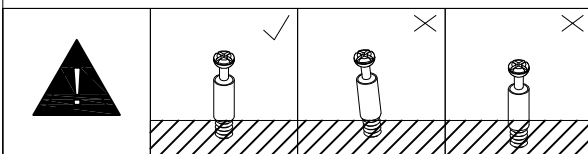
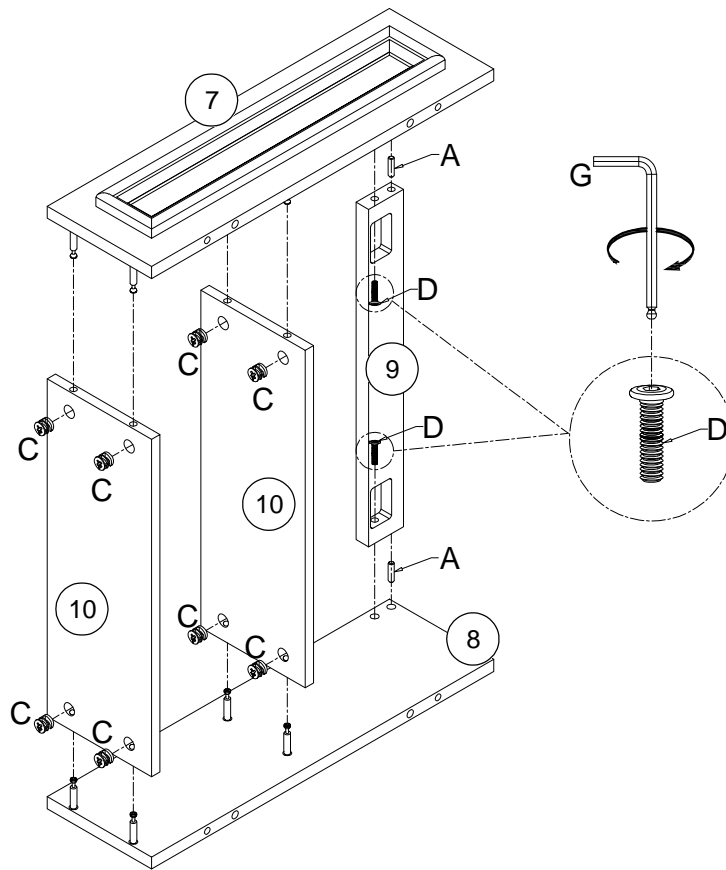


STEP: 5

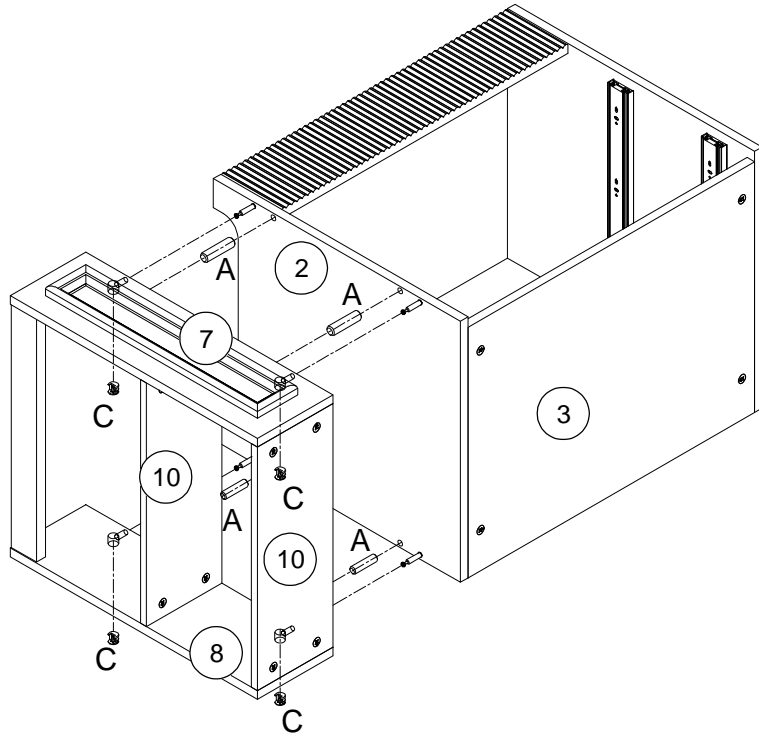


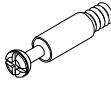
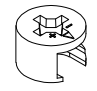
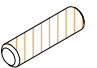
B	C
	
8pcs	8pcs
D	A
	
2pcs	2pcs

STEP: 6

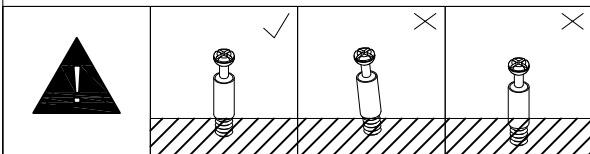
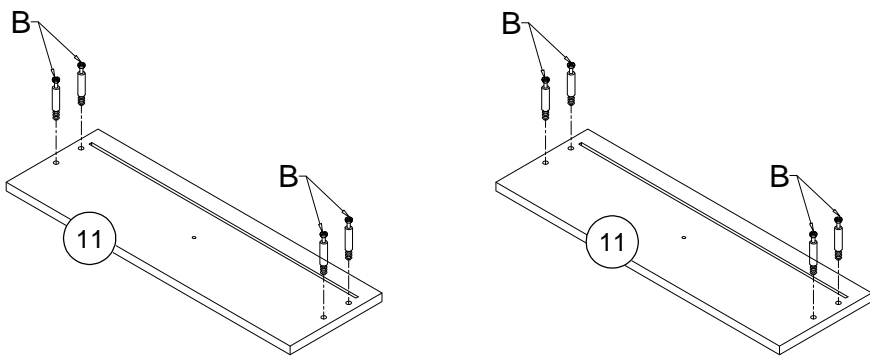


STEP: 7

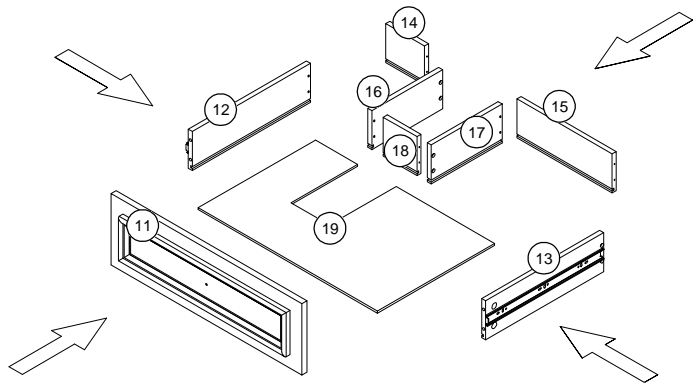


B	C
	
8pcs	4pcs
A	
	
4pcs	

STEP: 8

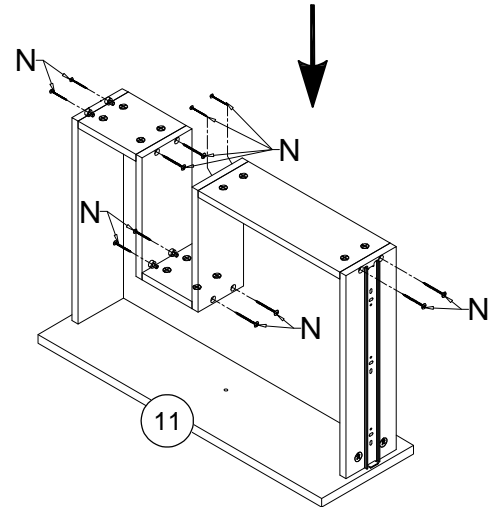
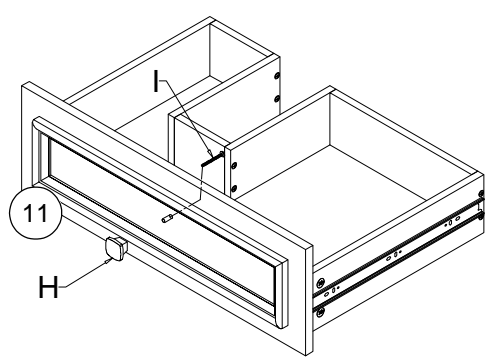
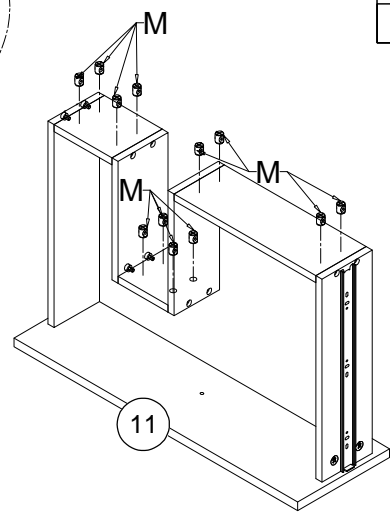
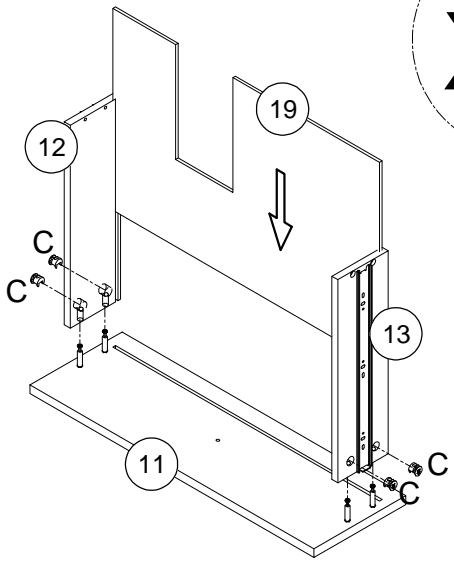


STEP: 9

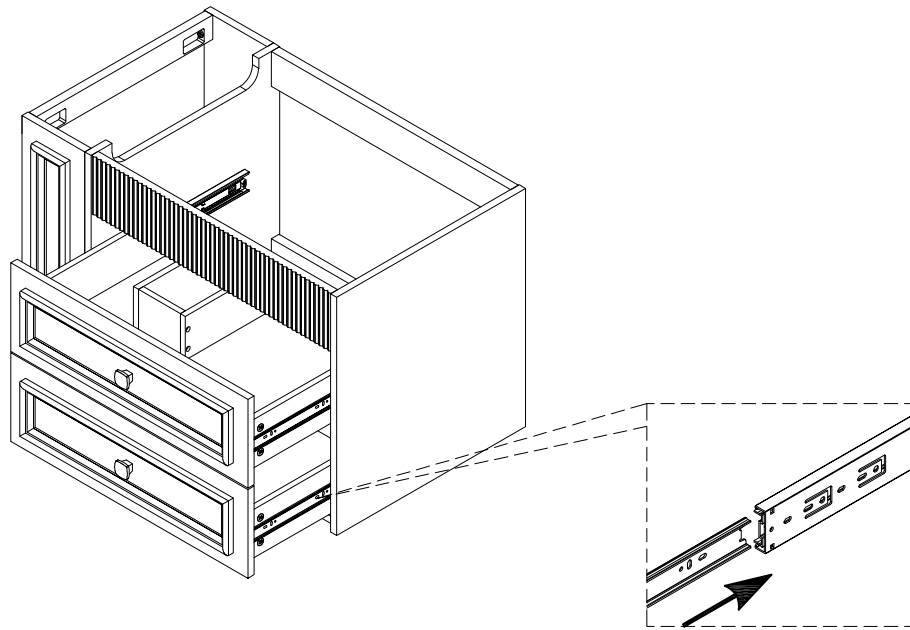


N	C
24pcs	8pcs
H	I
2pcs	2pcs
	M
	24pcs

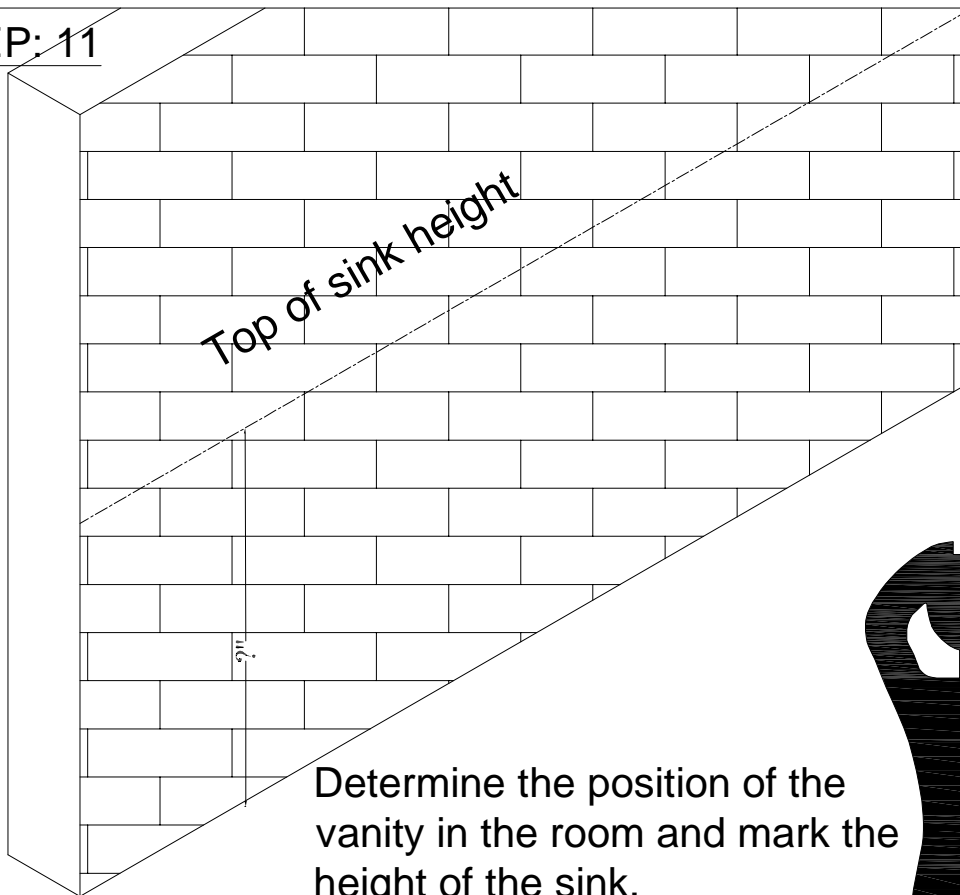
x2



STEP: 10



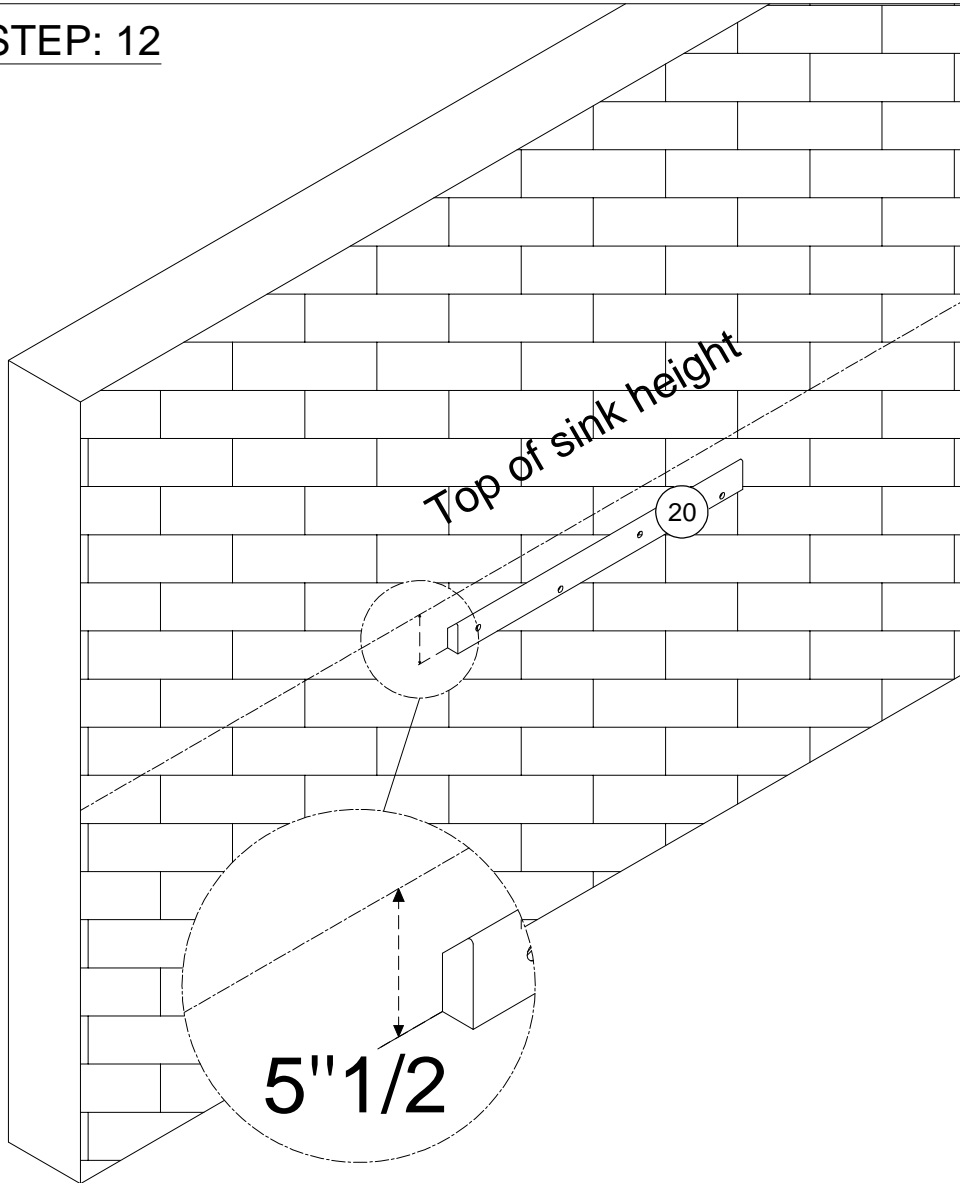
STEP: 11



Determine the position of the vanity in the room and mark the height of the sink.



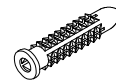
STEP: 12



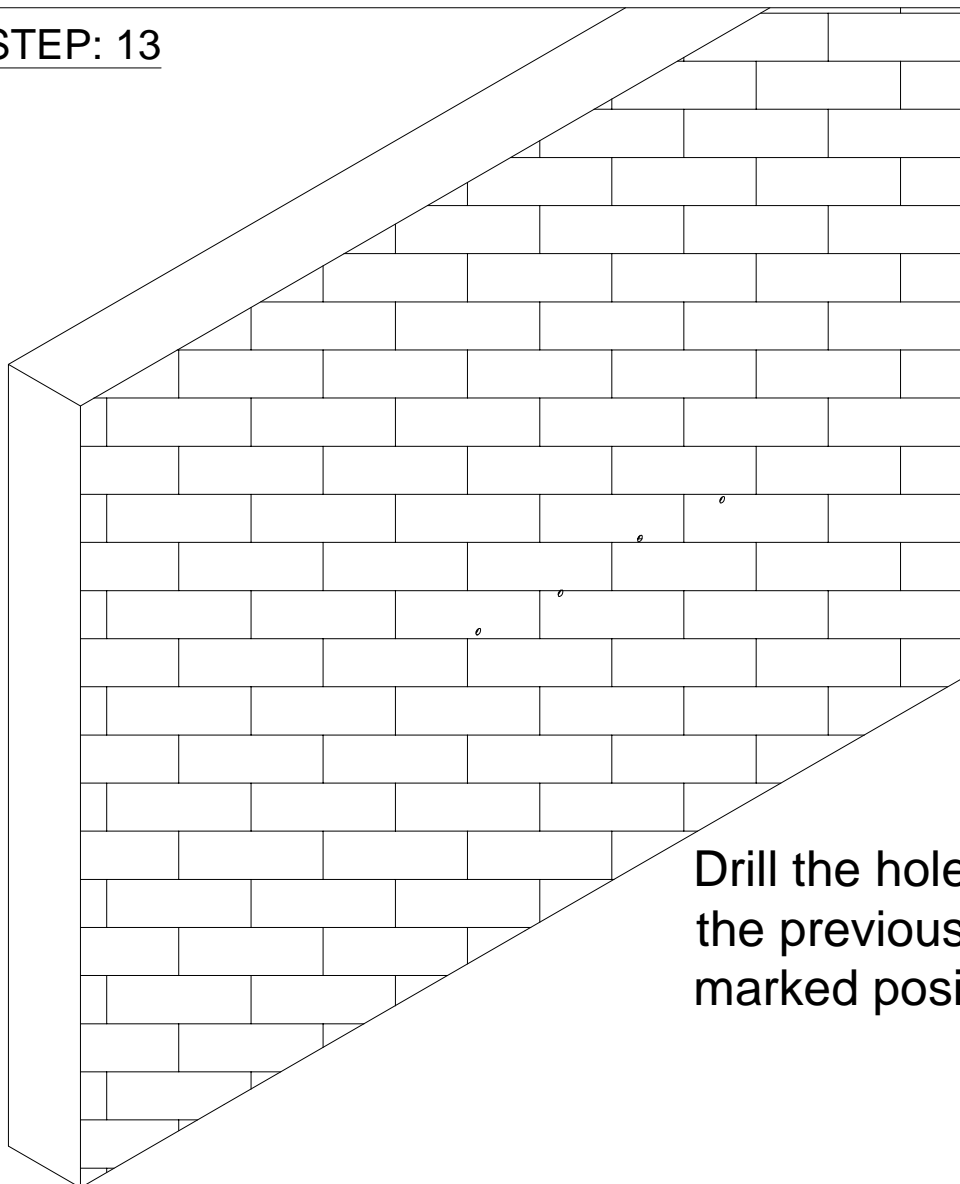
Place part 20 in the described position and mark the drilling holes.

STEP: 13

K

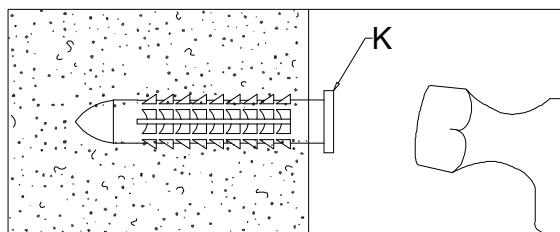


4pcs



Drill the holes at the previously marked positions.

Insert the wall plugs before driving in the screws.



Wall attached item only:

A guide to wall mouting and fixings

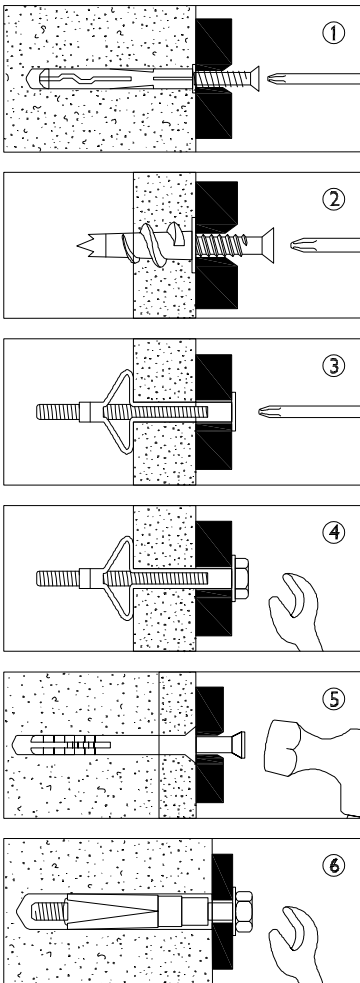


Warning

Wall fixing screws are not included, since different wall materials require different types of screws/ fixings. Please ensure you use the correct screws / fixings for your type of walls and seek professional advice if you are not sure.

Failure of the product due to incorrect fixings is the responsibility of the installer.

Important: When drilling into the walls always check that there are no hidden wires or pipes etc.



Types of walls

You can use one of the following types of wall plug if your walls are made of brick, breezeblock, concrete, stone or wood.

1. Genral Purpose wall plug

Generally aerated blocks should not be used to support heavy loads, use a specialist fitting in this case. For light loads, general - purpose wall plugs can be used.

2. Plasterboard wall plug

For use when attaching light loads on to plasterboard partitions.

3. Cavity Fixing wall plug

For use when attaching light loads on to plasterboard partitions.

4. Cavity Fixing - Heavy Duty wall plug

For use when fitting or supporting heavy loads such as shelving, wall cabinets and coat racks.

5. Hammer Fixing wall plug

For use with walls stuck with plasterboard. The hammer fixing allows it to be fixed to the wall rather than the plasterboard. Always check the fixing is secure to the retaining wall.

6. Shield Anchor wall plug - Heavy loads

For use with heavier load such as TV and HI-Fi speskers and satellite dishes etc.



Care and maintenance

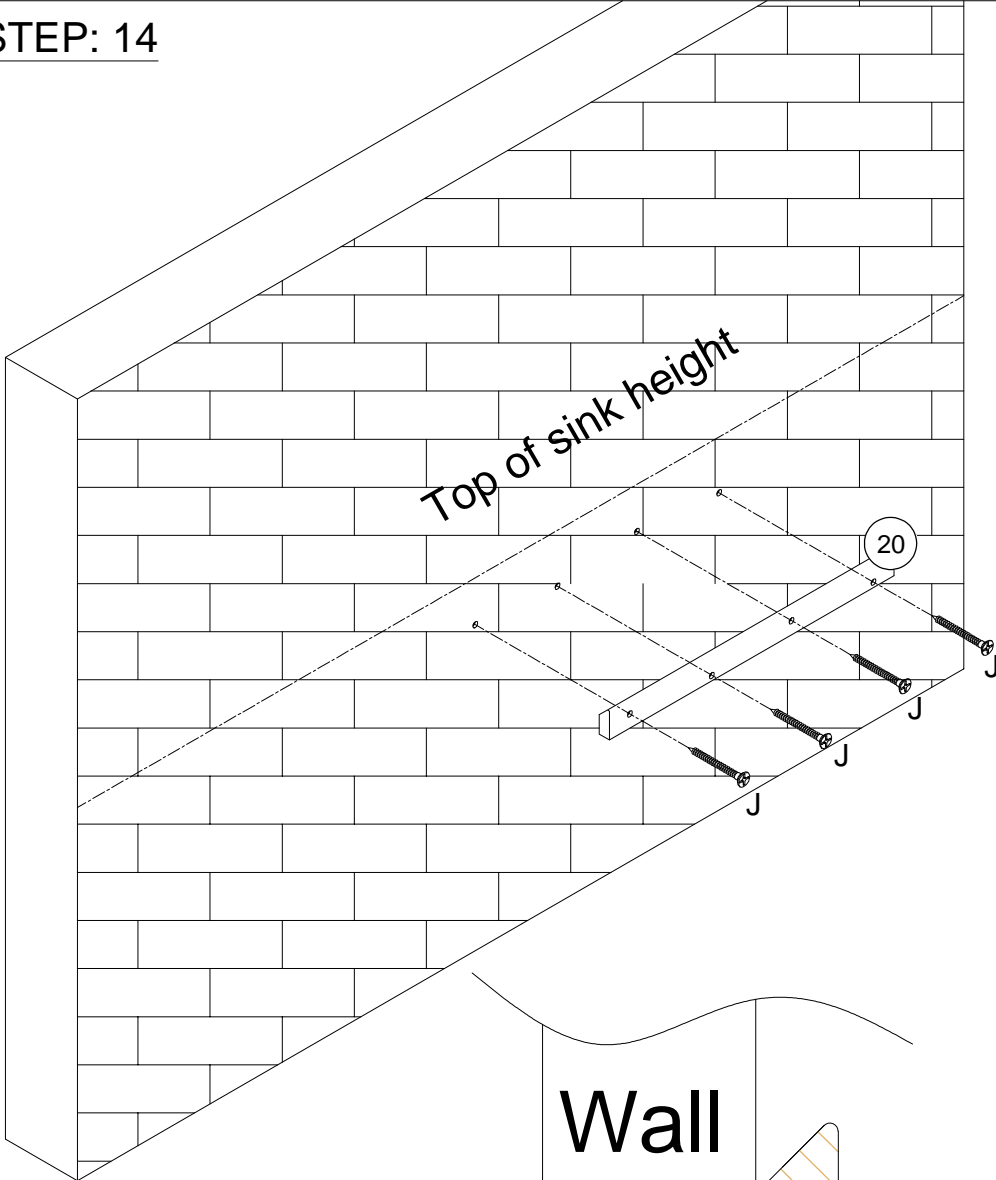
Safety: Periodically check all fittings and wall fixings to ensure they have not come loose and retighten as necessary.

STEP: 14

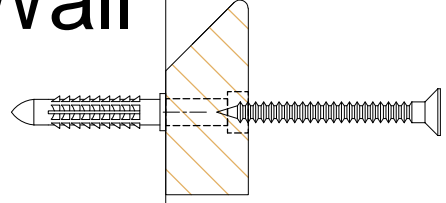
J



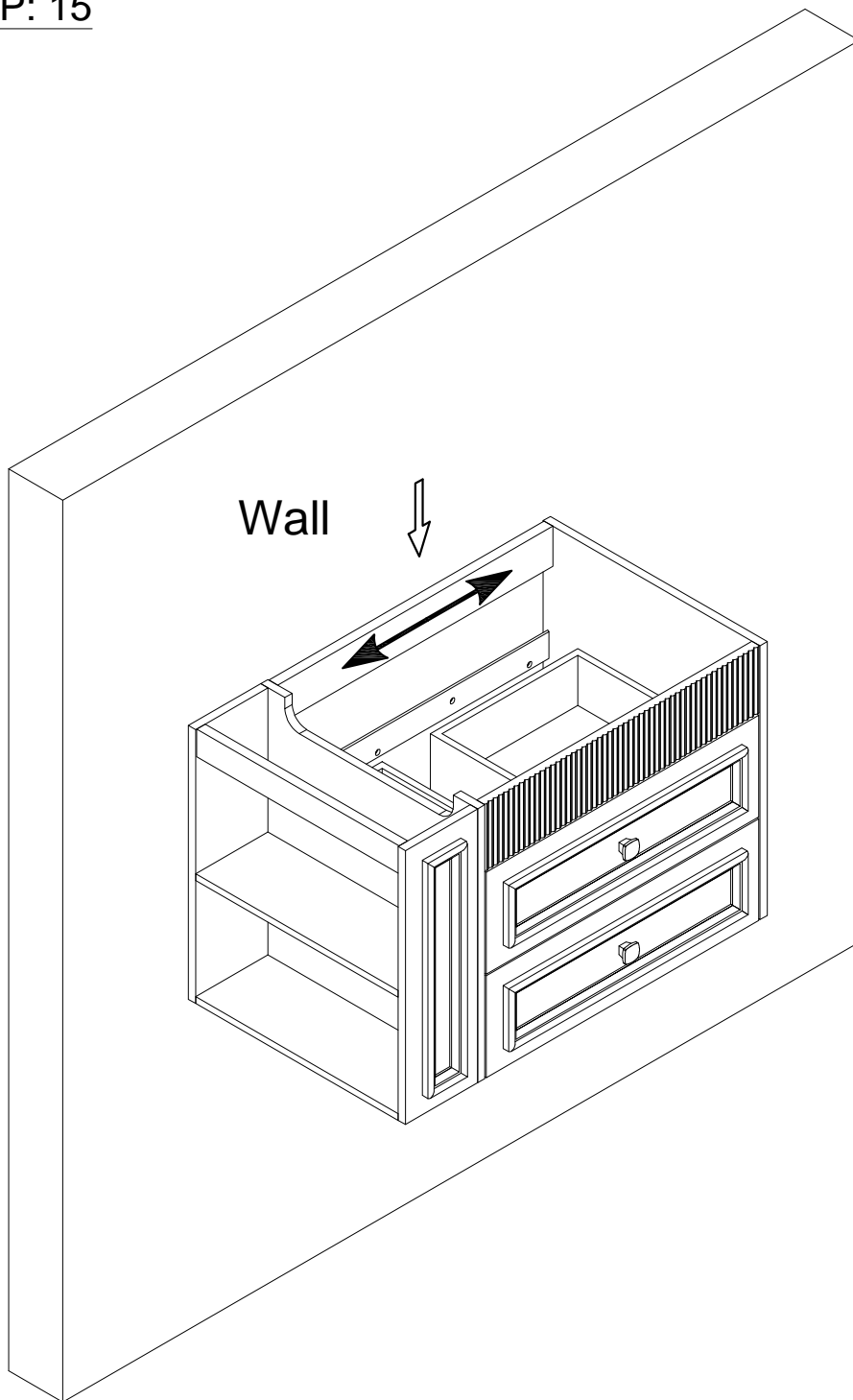
4pcs



Wall

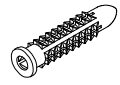


STEP: 15



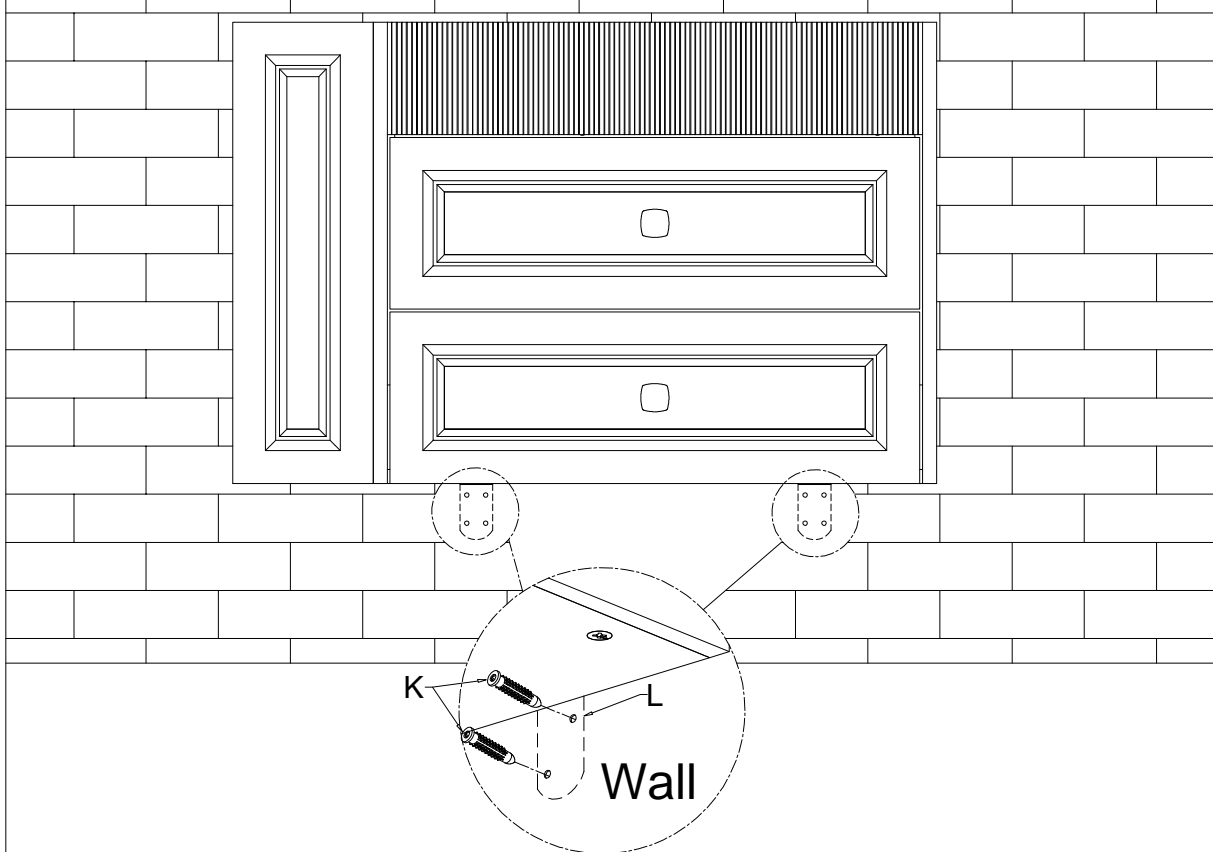
STEP: 16

K

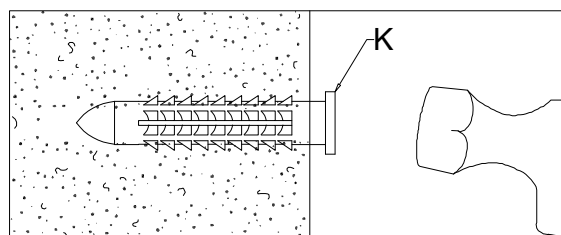


4pcs

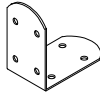
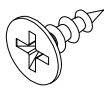

Top of sink height



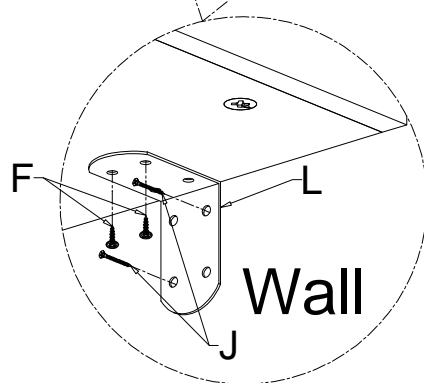
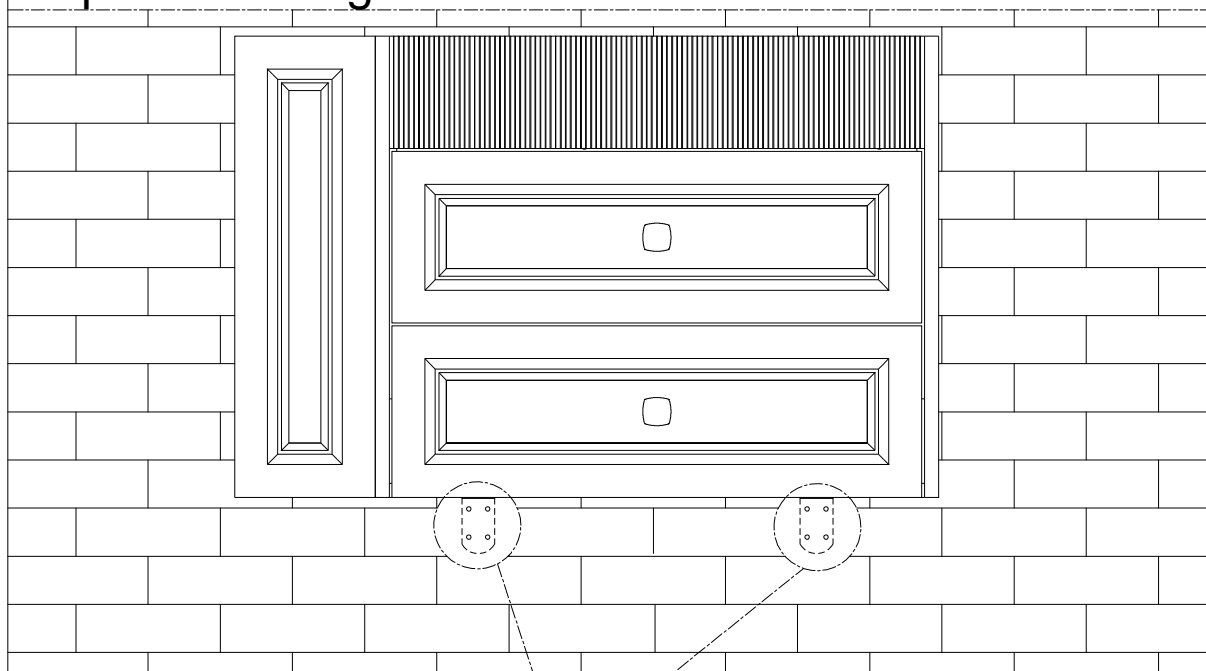
Insert the wall plugs before driving in the screws.



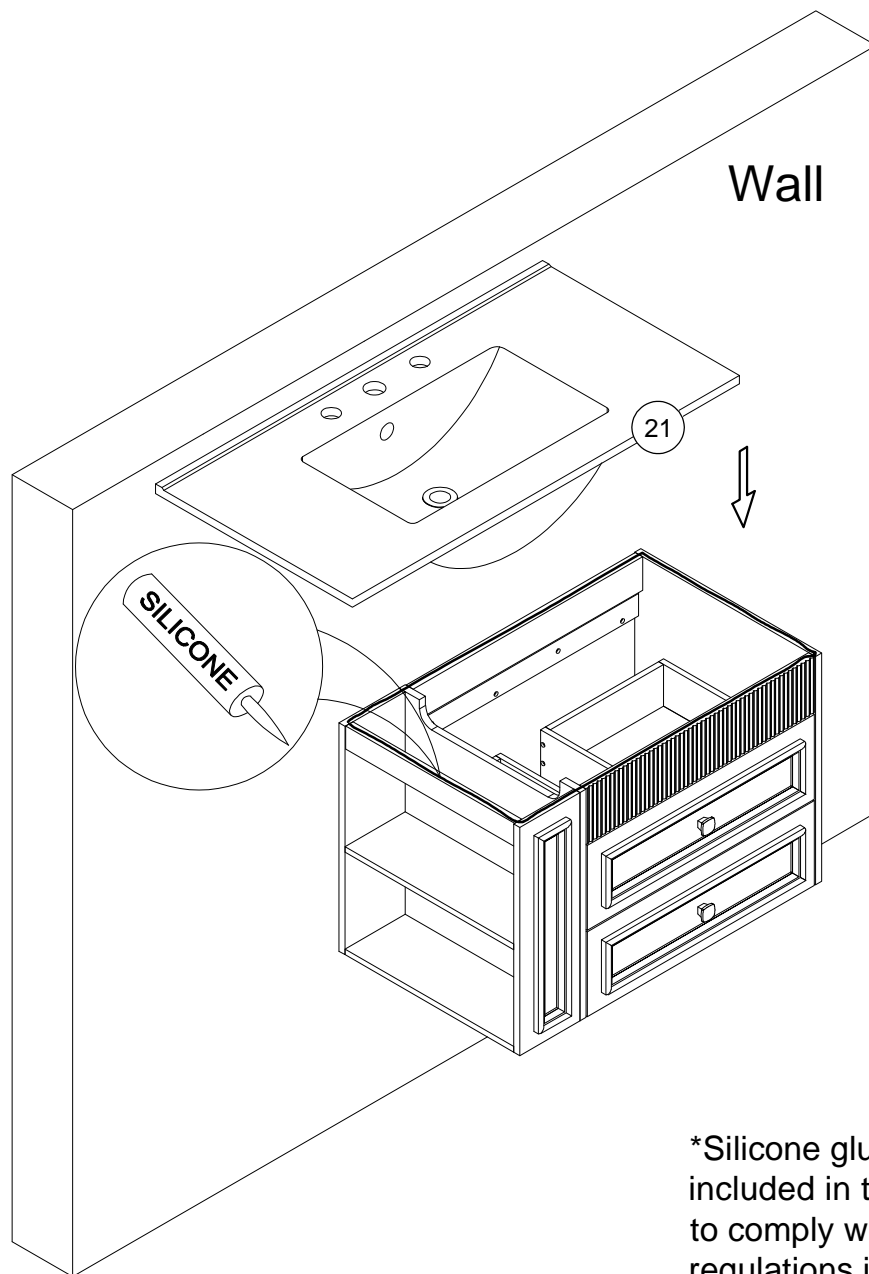
STEP: 16

L	F	J
		
2pcs	4pcs	4pcs

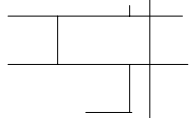
Top of sink height



STEP: 17



*Silicone glue is not included in the package to comply with safety regulations in certain shipping conditions.



Wall

