

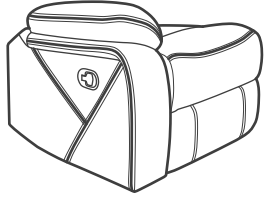

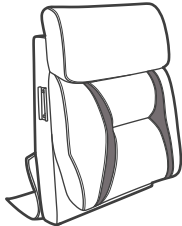
# Assembly Instructions

This sofa part is packaged in one box. Carefully remove all components from the packaging and set them aside for assembly.

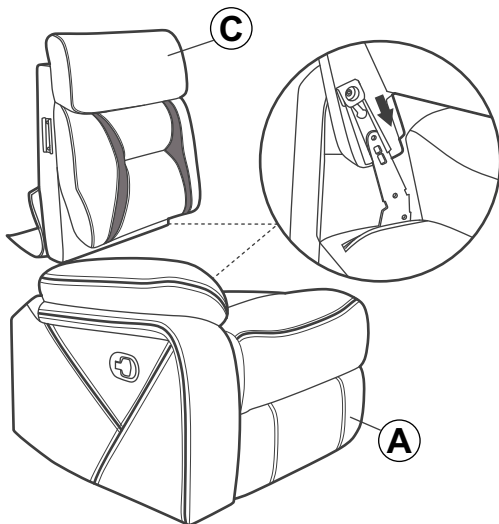
## CAUTION:

DO NOT use any sharp objects to open plastic wrapped components as this may result damage to product or components

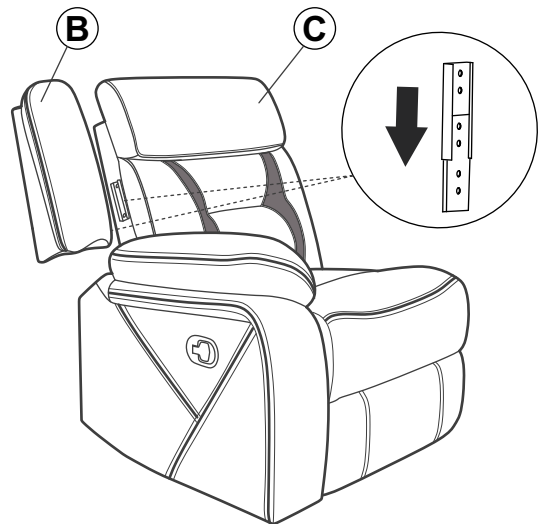
## Package Contents

		
<b>Part A*1 Seat Body</b>	<b>Part B*1 Left Ear</b>	<b>Part C*1 Left Backrest</b>

**STEP 1** Attach the **Left Backrest (C)** to the **Seat Body (A)**.



**STEP 2** Attach the **Left Ear (B)** to the **Left Backrest (C)**.



**Completed**



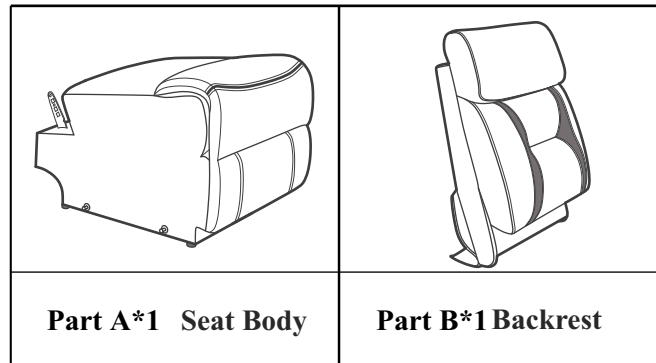
# Assembly Instructions

This sofa part is packaged in one box. Carefully remove all components from the packaging and set them aside for assembly.

**CAUTION:**

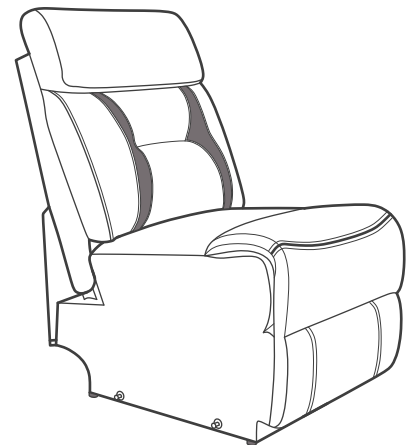
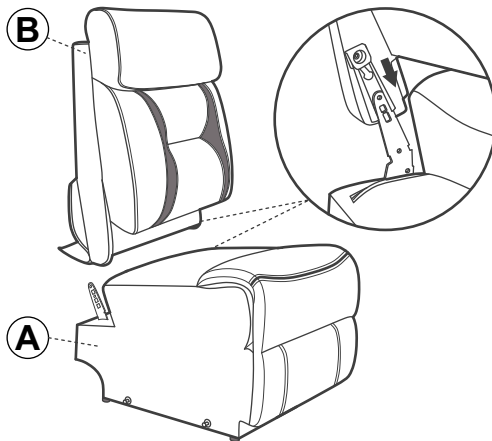
**DO NOT** use any sharp objects to open plastic wrapped components as this may result damage to product or components

## Package Contents



**STEP 1** Attach the **Backrest (B)** to the **Seat Body (A)**.

**Completed**

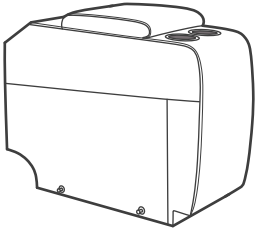
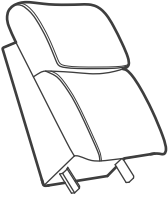


# Assembly Instructions

This sofa part is packaged in one box. Carefully remove all components from the packaging and set them aside for assembly.

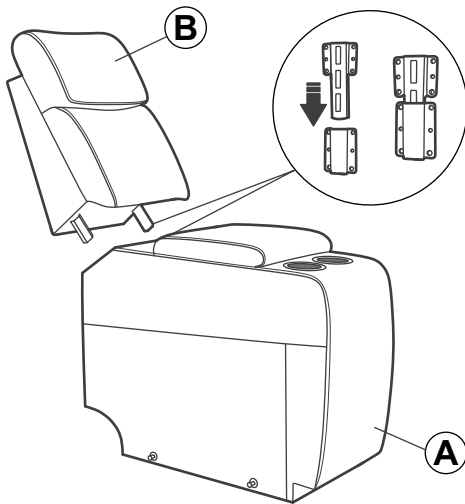
**CAUTION:**  
DO NOT use any sharp objects to open plastic wrapped components as this may result damage to product or components

## Package Contents

	
<b>Part A*1</b> Seat Body	<b>Part B*1</b> Console Backrest

**STEP 1** Attach the **Backrest (B)** to the **Seat Body (A)**.

**Completed**



# Assembly Instructions

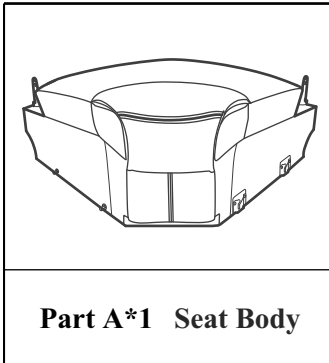
This sofa part is packaged in two box. Carefully remove all components from the packaging and set them aside for assembly.

**CAUTION:**

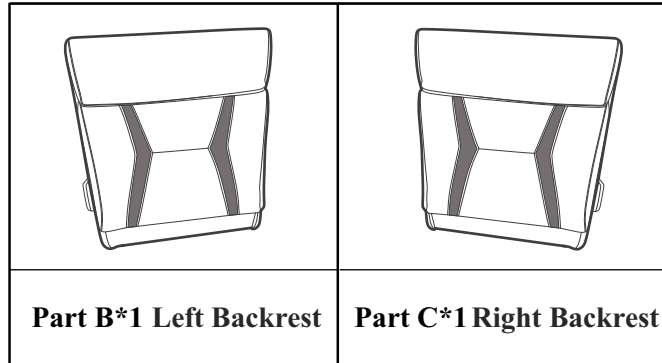
DO NOT use any sharp objects to open plastic wrapped components as this may result damage to product or components

## Package Contents

### Seat Box

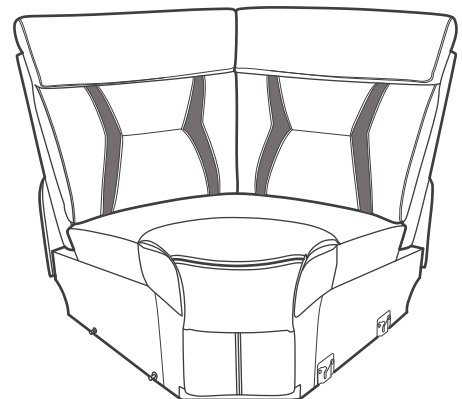
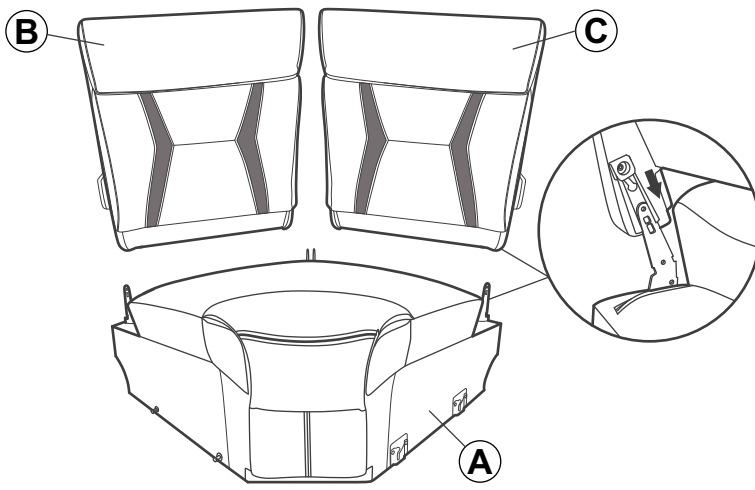


### Backrest Box



**STEP 1** Attach the **Left Backrest (B)** and **Right Backrest (C)** to the **Seat Body (A)**.

**Completed**



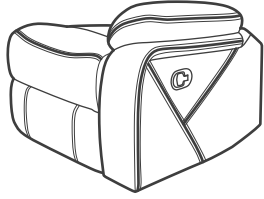
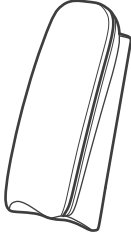

# Assembly Instructions

This sofa part is packaged in one box. Carefully remove all components from the packaging and set them aside for assembly.

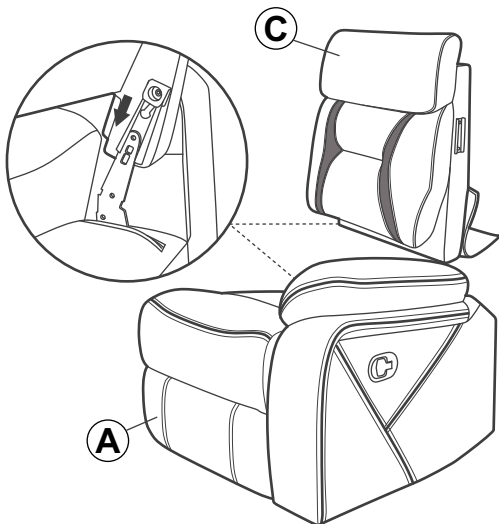
## CAUTION:

DO NOT use any sharp objects to open plastic wrapped components as this may result damage to product or components

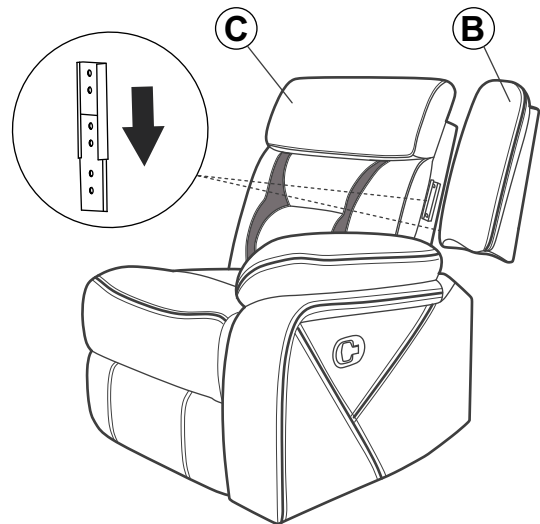
## Package Contents

		
<b>Part A*1 Seat Body</b>	<b>Part B*1 Right Ear</b>	<b>Part C*1 Right Backrest</b>

**STEP 1** Attach the **Right Backrest (C)** to the **Seat Body (A)**.



**STEP 2** Attach the **Right Ear (B)** to the **Right Backrest (C)**.



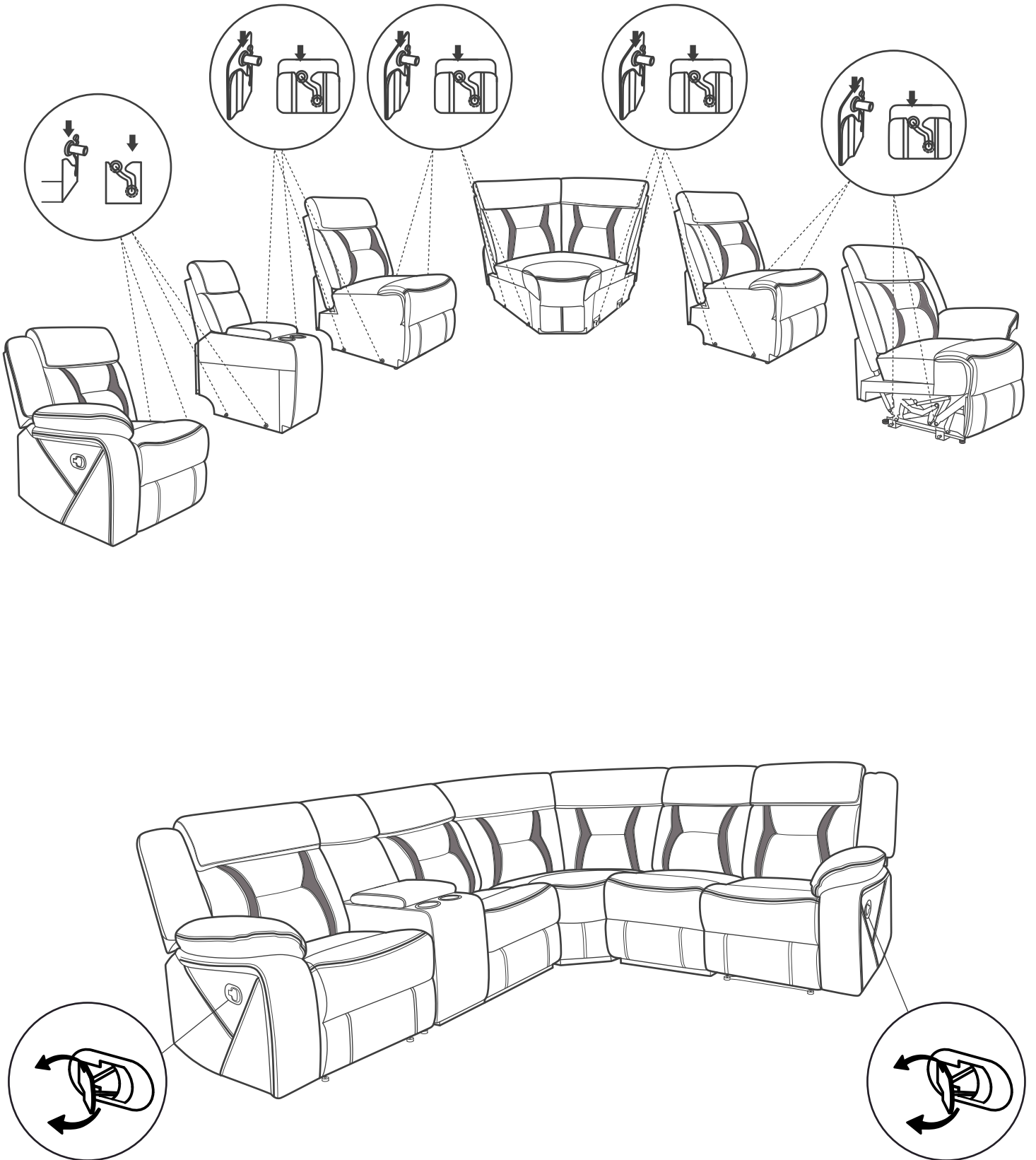
**Completed**



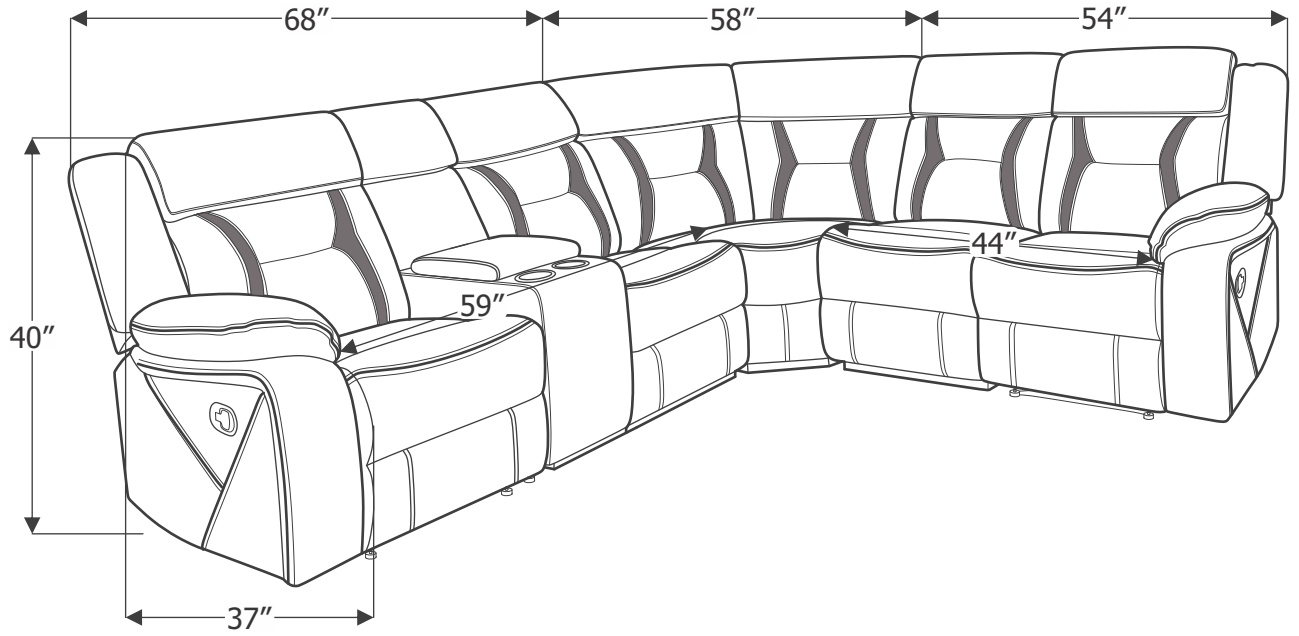
**LAST STEP** Connect the Seat parts

Sectional Sofa

Attach Left Seat, Storage Base, Middle Sofa Seat, Wedge and Right Seat to each other by aligning the metal grooves on sofa seat as shown in the picture.



# SIZE DIMENSIONS



## Warnings

1. Please check if the components of the chair are all included and can be used normally.
2. Assemble all components according to the instruction correctly before you connect the chair to the power.
3. Please DO NOT sit on the armrests or footrest to eliminate the risk of tipping over.
4. If the chair is damaged or doesn't match the website description, please send clear pictures of the product and label of the carton to our service team for further help.
5. If the recliner doesn't work, you may try the following measures for self-checking firstly:
  - a) Check if all the cables are connected;
  - b) Check if the light of transformer is on.If the chair still doesn't work, please feed the information back to our customer service in time and we'll help you solve the matter as soon as possible.
6. If you have any questions with the product, please contact us

