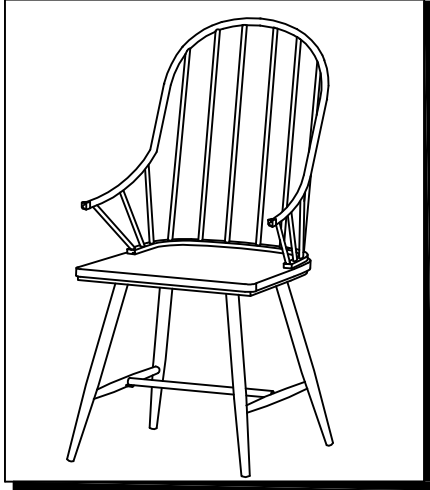


ASSEMBLY INSTRUCTIONS

Thank you for purchasing this quality product. Be sure to check all packed material carefully for small parts which may have come loose inside the carton during shipment. Place all parts on a clean smooth surface such as a rug or carpet to avoid scratching the parts. Be sure you have all the parts and hardware before you begin assembly.

NOTE : DURING ASSEMBLY , DO NOT TIGHTEN ANY BOLTS UNTIL ALL BOLTS HAVE BEEN INSTALLED.

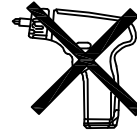
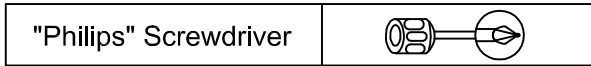


Thank you for purchasing our product!

Please assemble the products with the guidance of this manual instruction. Contact our friendly customer service department with any comments or in case there is any missing or damaged parts or hardware. Replacements for missing or damaged parts or hardware are normally shipped within 2 to 3 days. We appreciate your business!


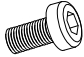
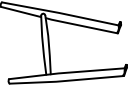
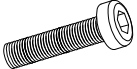
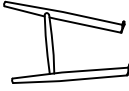





Note:

- 1) Please be advised to have at least 2 persons to assemble this unit
- 2) Tools not included, but essential for assembling this unit:



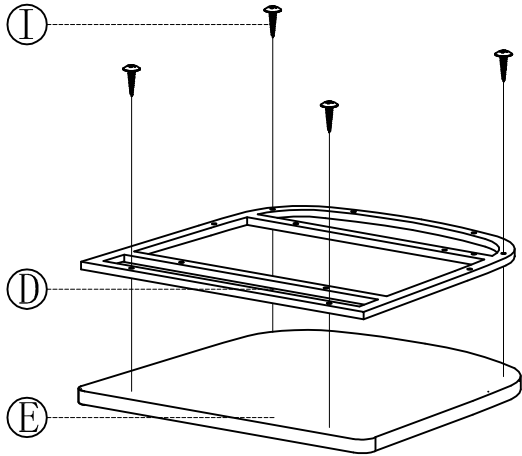
DO NOT USE

- 3) Place a large cloth or blanket on the floor or flat surface to protect parts from scratching
- 4) Before assembling this unit, please check that all parts and hardware are present

PART	DESCRIPTION	QTY	PART	DESCRIPTION	QTY
A	SEAT BACK 	2	G *	1/4"*12MM SCREW 	12
B	LEFT LEG 	2	H *	1/4"*35MM SCREW 	8
C	RIGHT LEG 	2	I *	WOOD SCREW 	8
D *	SEAT FRAME 	2	J *	ALLEN KEY 	1
E *	SEAT CUSHION 	2	* PART OF HARDWARE KIT		
F *	STRETCHER 	2			

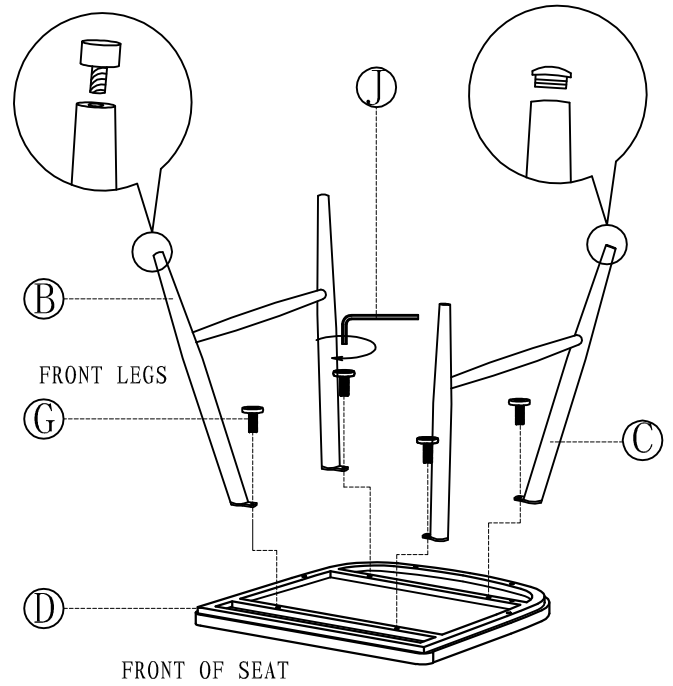
STEP — 1

ATTACH SEAT FRAME(D) TO SEAT CUSHION(E) BY USING WOOD SCREW(I) AS SHOWN.



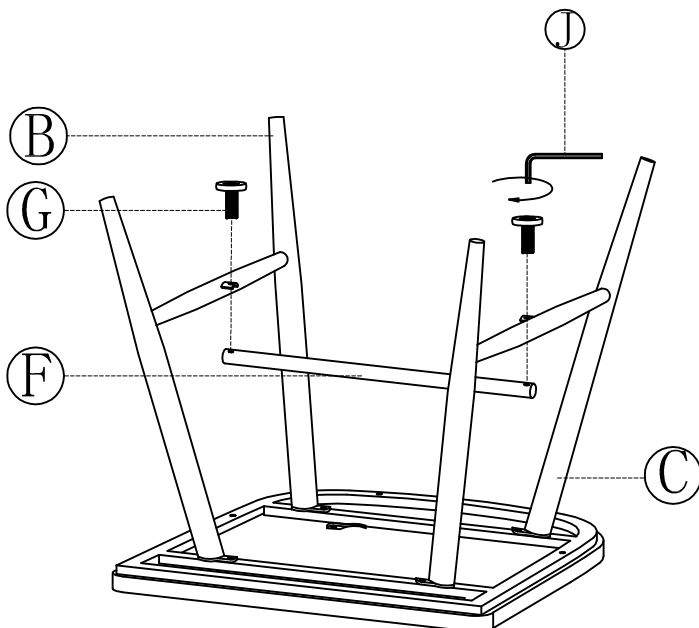
STEP — 2

ATTACH CHAIR LEG(B&C) TO THE ASSEMBLED UNIT BY USING SCREW(G) AND ALLEN KEY(J). AS SHOWN .



STEP — 3

ATTACH STRETCHER(F) TO CHAIR LEGS(B&C) BY USING SCREW(G) AND ALLEN KEY(J) AS SHOWN.



STEP — 4

ATTACH SEAT BACK(A) TO ASSEMBLED UNIT BY USING SCREW(H) AND ALLEN KEY(J) AS SHOWN.

