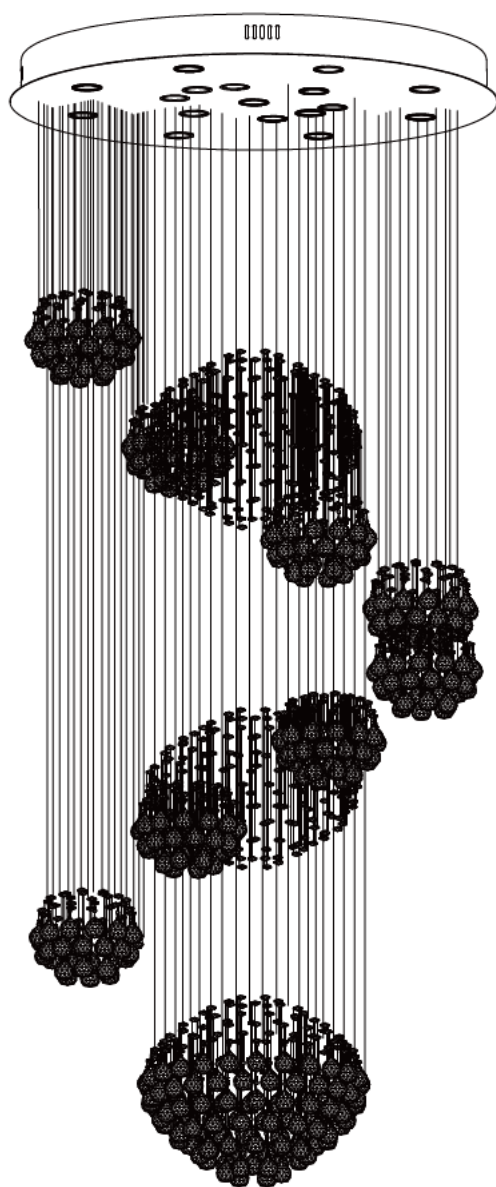


INSTALLATION MANUAL

CRYSTAL CHANDELIER



TOOLS REQUIRED

※ NOT INCLUDED ※



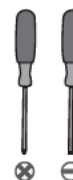
Ladder



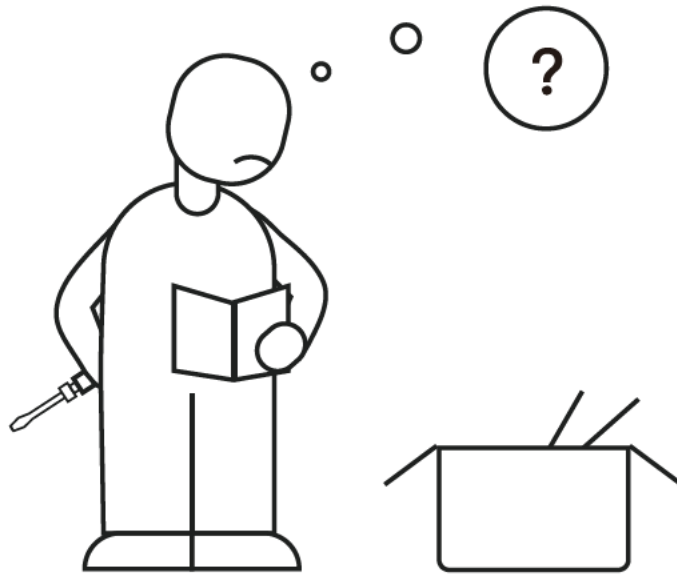
Pliers



Wire
Strippers



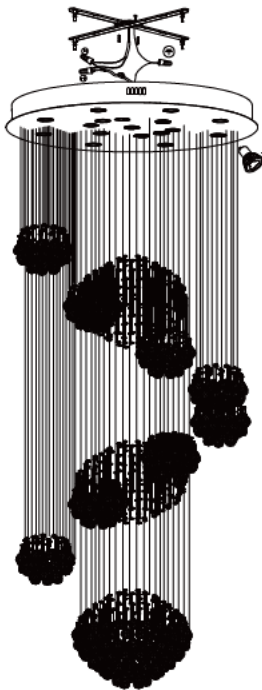
Screwdrivers




Please contact us with following information:

1. Screen shot of your order page, including product picture, name and order ID number.
2. Problem details with pictures / short video if possible.

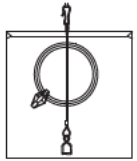
PACKING LIST



- ←..... Mounting Bracket x 1
- ←..... Mounting Screw (from outlet box)
- ←..... Canopy x 1
- ←..... GU10 LED Bulbs x 13 (not included)
- ←..... Crystal string x 351
- ←..... Crystal ball x 351




Already installed



x 351

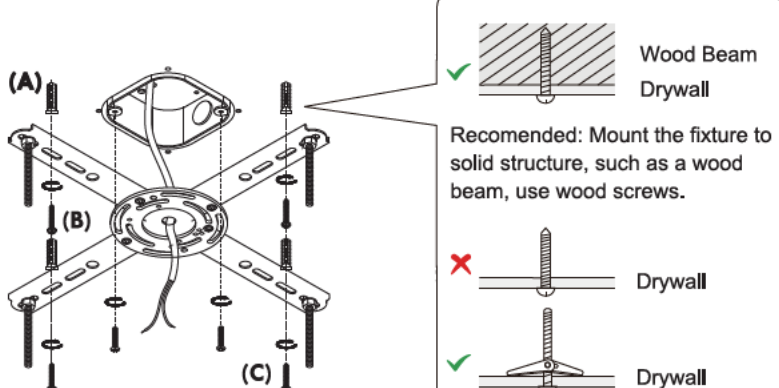
Not Installed




x 351

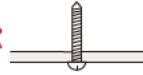
MOUNTING AND WIRING


Fig. 1



✓  Wood Beam
Drywall

Recommended: Mount the fixture to solid structure, such as a wood beam, use wood screws.

✗  Drywall

✓  Drywall

Optional: If the fixture has to be mounted to drywall, use drywall fasteners.

1. Mount the Bracket

Step1: Take off screws from outlet box (A). Secure the mounting plate (B) onto the box with screws (C) taken off (Fig. 1).

Step2: Attach the mounting plate(B) to the ceiling with mounting screws and other proper fasteners from your local hardware store (Fig. 1) .

※ **Make sure the ceiling have the capacity Of the weight of the fixture.**


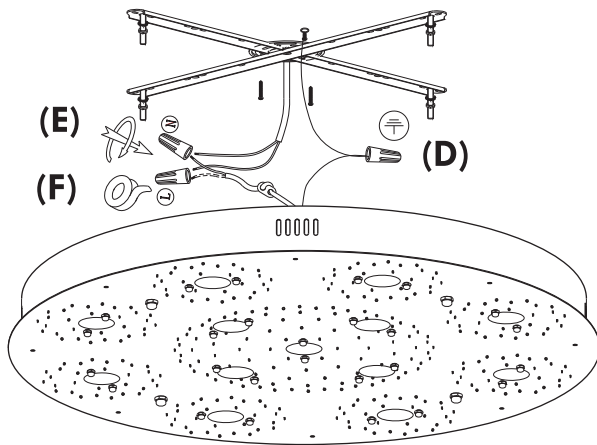


Fig. 2



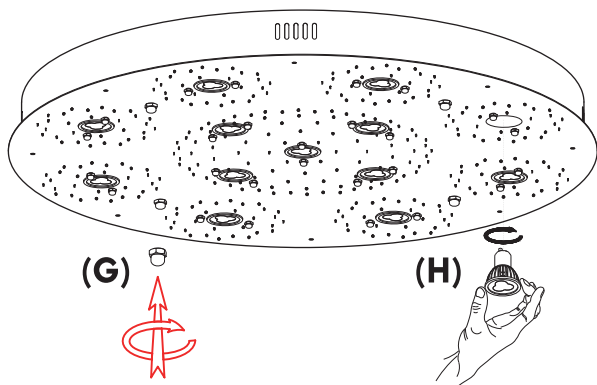
2. Connect the Wires

Step1: Connect the ground wire (D) (green, green/yellow or bare copper) from the fixture to the junction box ground wire with a plastic wire nut, wrap the connection with electrical tape.

Step2: Connect the neutral wire (E) (white or blue) to the junction box neutral wire with a plastic wire nut and wrap the connection with electrical tape.

Step3: Connect the hot wire (F) (black or brown) to the junction box hot wire with a plastic wire nut and wrap the connection with electrical tape.

Fig. 3

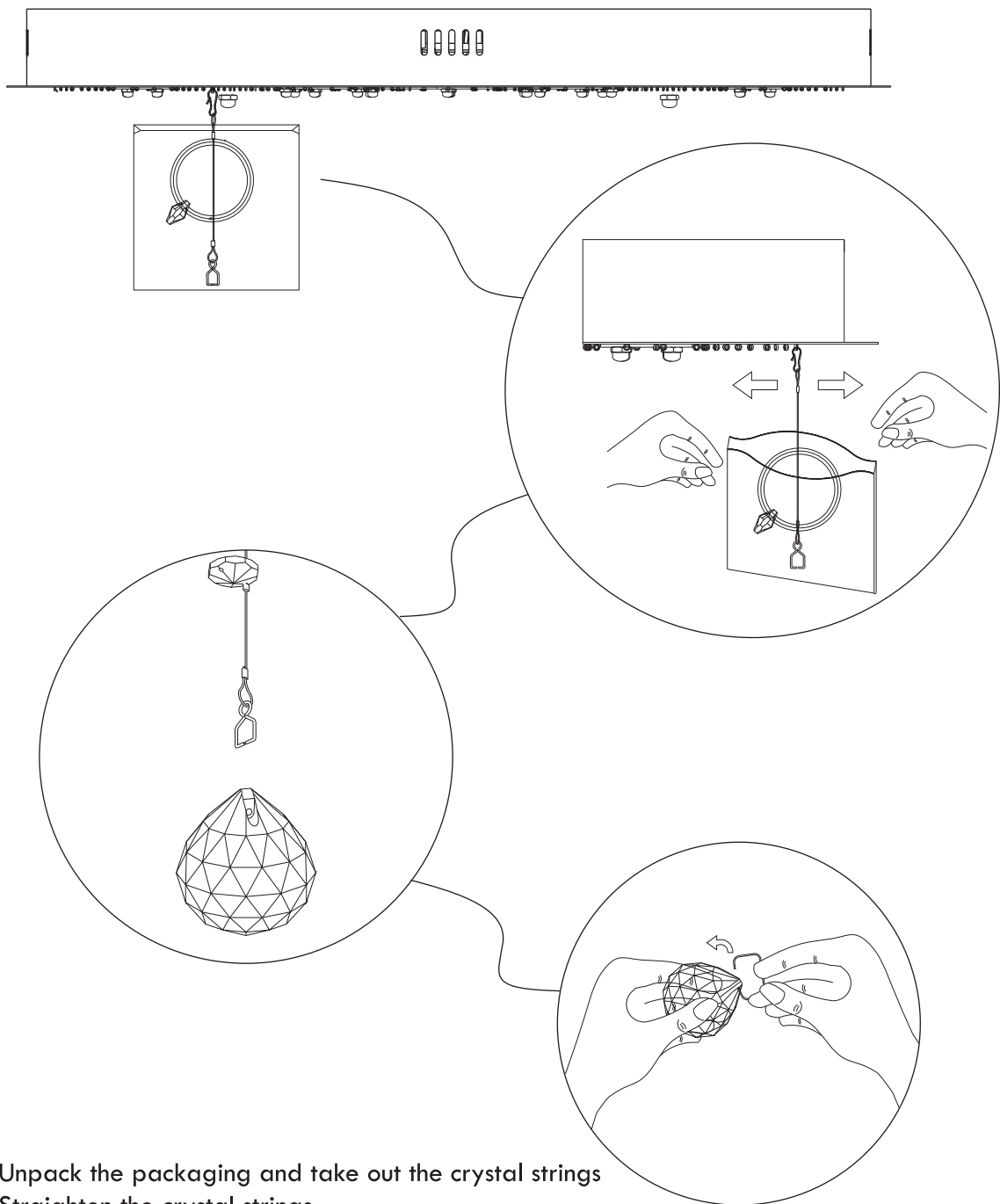


3. Attach the Canopy

Step1: Pass connection rods through the holes on canopy and secure with cap nuts (G).

Step2: Insert bulbs(H) into the sockets (13 x 10W Max. GU10 LED bulbs, not included).

FIXTURE ASSEMBLY



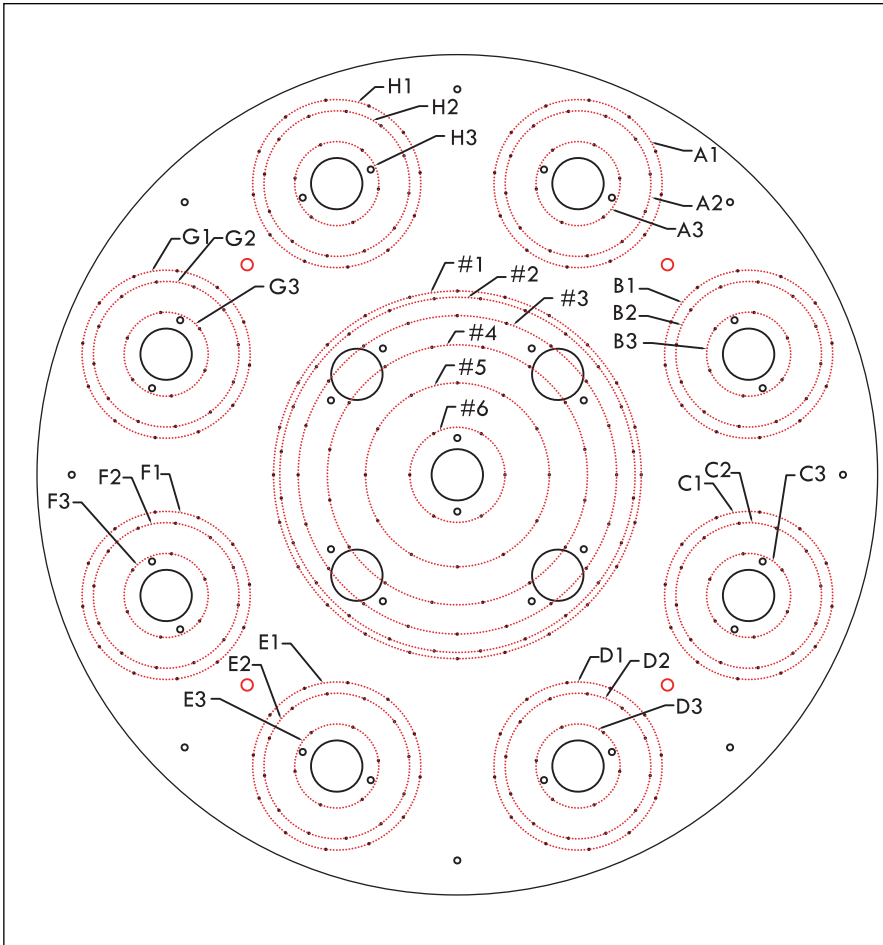
Stp1: Unpack the packaging and take out the crystal strings

Stp2: Straighten the crystal strings

Stp3: And install the crystal ball

P.S: Gently lower the crystal strings to avoid tangling

INSTALLATION ORDER



Recommendation: Install (A, B,C, D) first, then proceed with(#1-6), and finally install (E, F, G, H).

P.S.: If the self-sealing bags fall during installation, please use the codes on the bags to identify their corresponding locations and reattach them.

Fig. 1

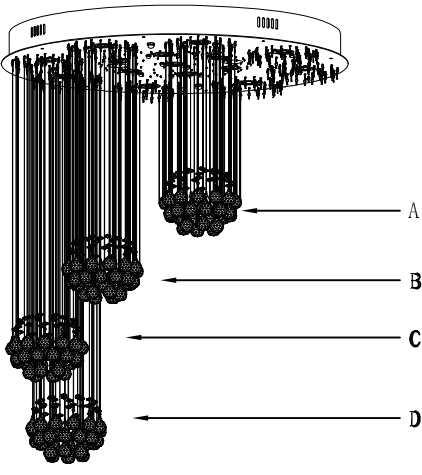


Fig. 2

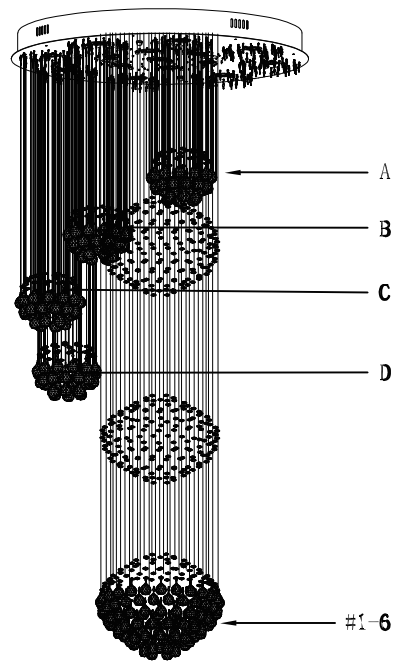
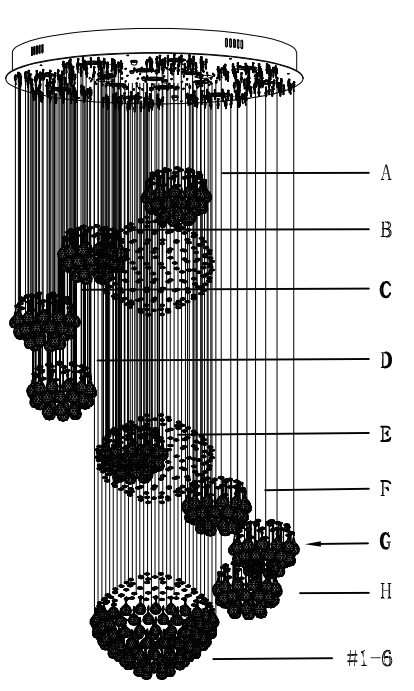


Fig. 3



SAFETY RULES

WARNING: BE SURE THE ELECTRICITY TO THE WIRES YOU ARE WORKING ON IS SHUT OFF; EITHER THE FUSE IS REMOVED OR THE CIRCUIT BREAKER IS TURNED OFF. TURNING THE POWER OFF USING THE LIGHT SWITCH IS NOT SUFFICIENT TO PREVENT ELECTRICAL SHOCK.

NOTE: The important safeguards and instructions appearing in this manual are not meant to cover all possible conditions or situations that may occur. It must be understood that common sense, caution, and care, are factors which cannot be built into any product. These factors must be supplied by the person(s) installing this unit.

READ & SAVE THESE INSTRUCTIONS

CAUTION: Before assembling the lighting fixture, refer to the section titled Wiring Connections. If you feel you do not have enough electrical wiring experience, either refer to a do-it-yourself wiring handbook or have your lighting fixture installed by a qualified, licensed electrician.

UNPACK THE PACKAGE

Check the contents to be sure everything is included

Tools Needed: Slotted screwdriver, Adjustable wrench, Step ladder, Wire cutters, wiring supplies as required by electrical code.

INSTALLATION & OPERATION INSTRUCTIONS GENERAL

Before starting the installation, disconnect the power by turning off the circuit breaker or by removing the appropriate fuse at the fuse box. Turning the power off using the light switch is not sufficient to prevent electrical shock.

All electrical connections must be in accordance with local and National Electrical Code (NEC) standards. If you are unfamiliar with proper electrical wiring connections, obtain the services of a qualified electrician.

Remove the fixture and the mounting packages from the box and make sure that no parts are missing by referencing the illustrations on the installation instructions. Be sure to read these installation instructions and review the diagrams thoroughly before installation.

LIGHT BULBS REQUIRED

This fixture uses GU10 bulb base, works with incandescent, halogen, CFL and LED bulbs up to 10W. Fully dimmable when used with dimmable bulbs and a compatible dimmer switch (not included).

BULBS ARE NOT INCLUDED IN THIS ITEM. Please purchase the right bulbs you need.

TROUBLE SHOOTING

1. Missing / Broken Parts

- Make a list of the missing / broken parts according to the packing list, take photos for broken parts, then email us for free replacements.

2. Bulbs Do Not Light Up / Flicker / Noisy Operation

- Check your power and switch to make sure it's power on.
- Check the bulb to make sure it's installed correctly.
- Change a new bulb.
- Check the wires to make sure they are connected correctly.
- Make sure your bulb is dimmable if you use a dimmer switch.

3. Could Not Install

- Take photos of the ceiling, contact seller for technical support.

CLEAN AND CARE

To clean, wipe fixture with soft cloth. Spray from chemical cleaners can discolor the finish of fixture. Do not use scouring pads, powders, steel wool or abrasive paper to clean this fixture.

ORDERING PARTS

Keep this manual for future reference, and in case replacement parts are needed. Available parts can be ordered from place of purchase. Use exact wording from diagrams when ordering parts.