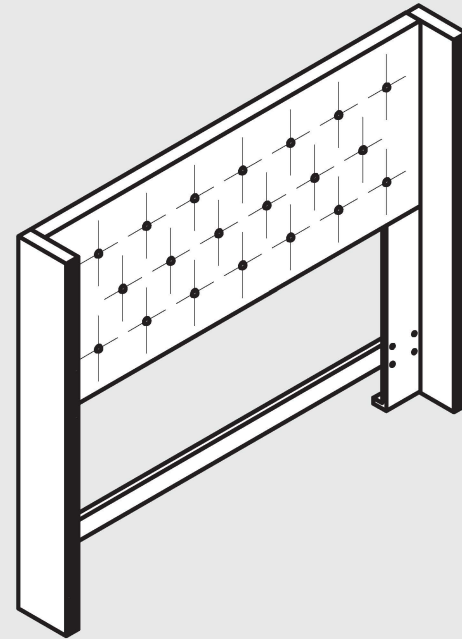


FULL / QUEEN WING HEADBOARD



ADULT ASSEMBLY REQUIRED

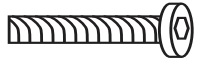
If you are missing any parts or have any questions regarding assembly, do not return this item to the retailers store. Please call our toll- free customer service number and have this assembly manual open to the parts list ready to provide the model name,



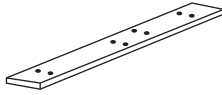
WARNING: This product may contain small components, please ensure they are kept away from small children.

PARTS AND HARDWARE

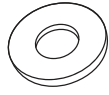
Avoid using sharp objects such as a knife to cut open packing as you may accidentally damage the upholstery.



A. 2" Bolt
26x



B. Connector
2x



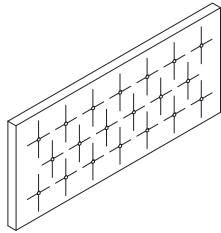
C. Flat Washer
26x



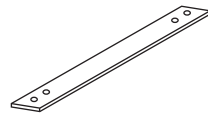
D. Lock Washer
26x



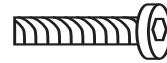
E. Wrench
1x



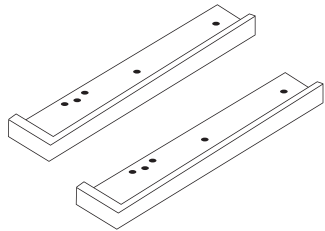
F. Headboard
1x



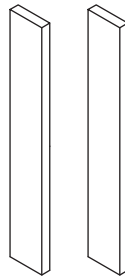
G. Foot Connector
1x



H. 1" Bolt
4x



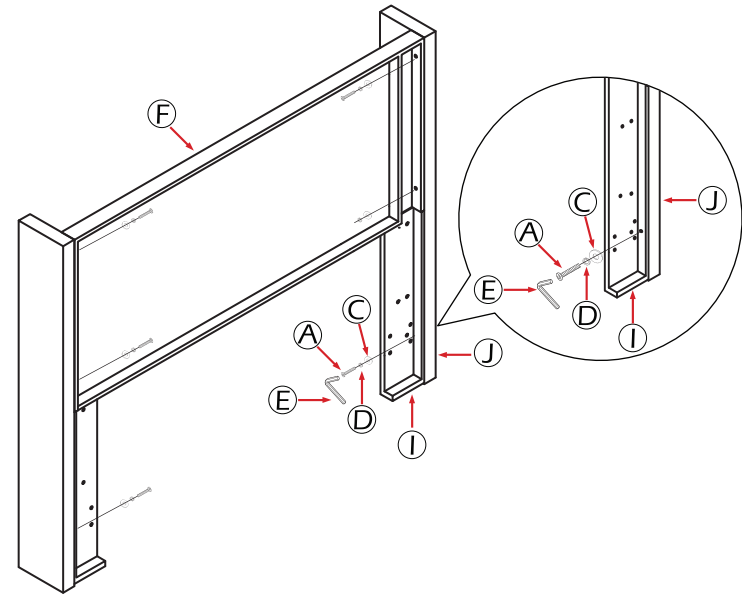
I. Foot
2x



J. Wings
2x
(Packed in box 2 of 2)

ASSEMBLY INSTRUCTIONS

1



2

