

**New Wave LED**  
by Ray Power

References



NWAV S LED DIM0-10V UL



120V - 277V


Certificates

Wood shade colors

Exterior


 26 Red

Interior


 24 Yellow

or

Exterior

 30 Turquoise

Interior


 24 Yellow

or

Exterior

 28 Blue

Interior

 24 Yellow



Components

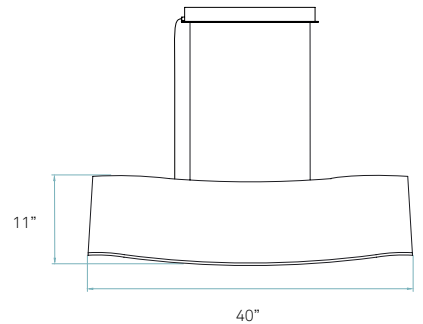


**Metal canopy**  
Brushed Nickel  
20 x 4,6 x 2"

**Electrical cable**  
Transparent 8 ft drop



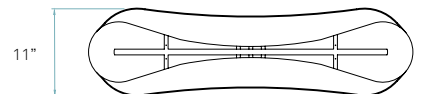
**Steel cable**  
4 x 8 ft drop



**Linear Module**  
2 x 5,5 W 350mA



**Driver**  
MEANWELL  
1 unit - Ref. LPF-16D-20  
Driver housed in canopy.



Details

Input Voltage	Luminous Flux	CRI	Watt.	CCT	Lifetime (L70)
120V-277V	691 lm	90	16 W	3000 °K	40000h

\* Measurements taken using Blue exterior & Yellow interior shades, Veneer Ref: 28 Blue & 24 Yellow

