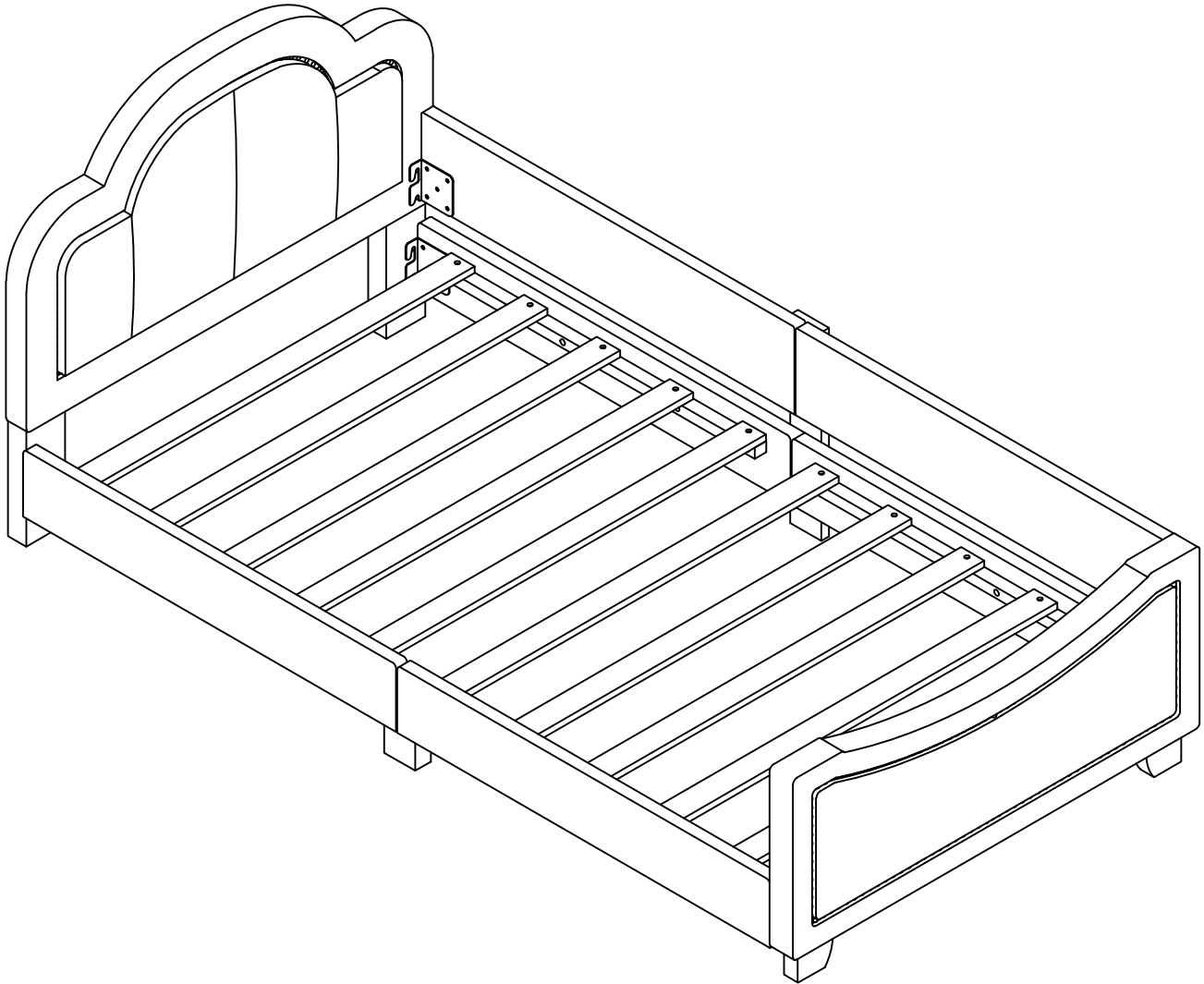


ASSEMBLY INSTRUCTIONS

WF 314642



IMPORTANT NOTE

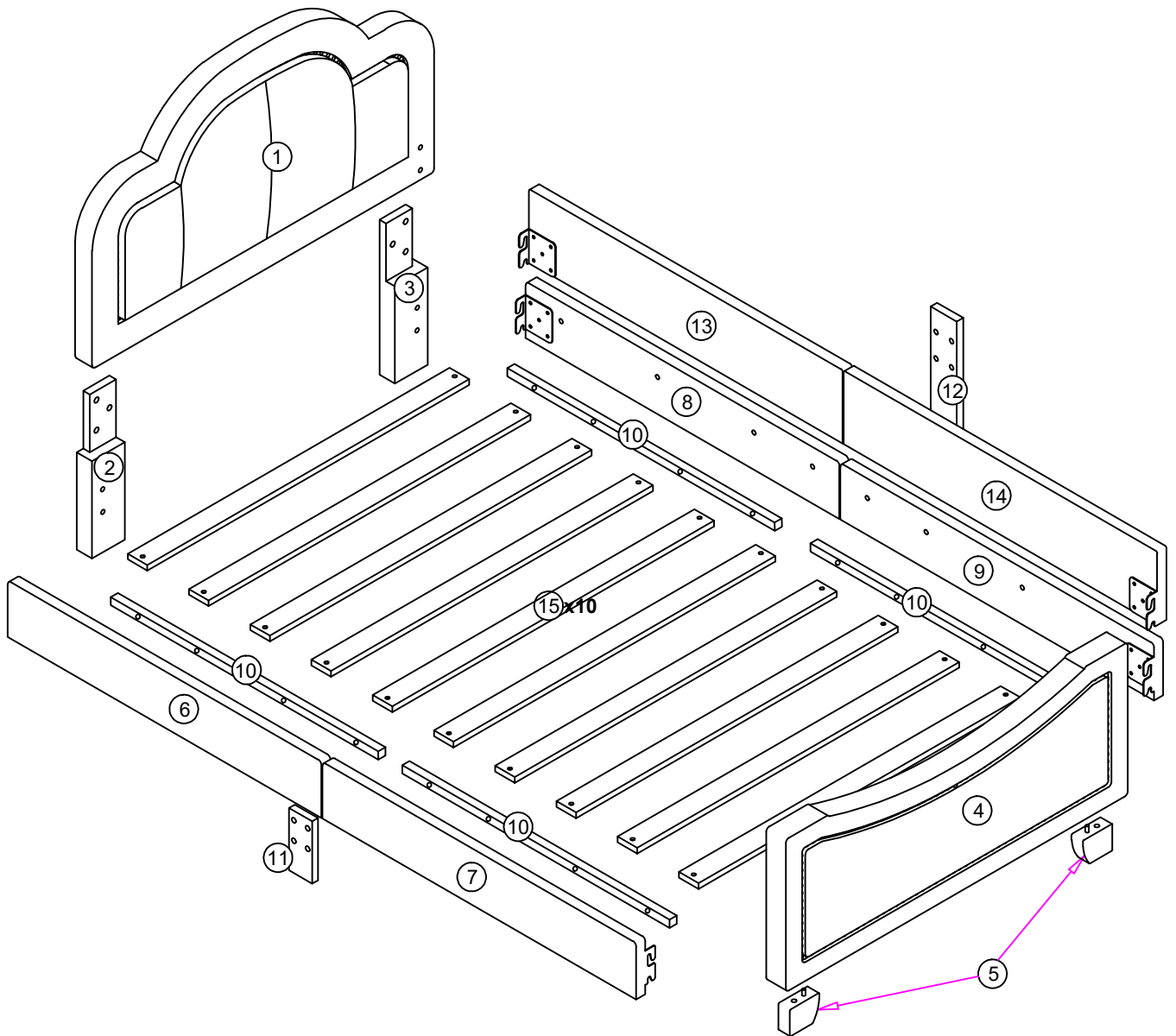
****PLACE ALL PARTS ON A CLEAN AND SMOOTH SURFACE SUCH AS A RUG OR CARPET TO AVOID THE PARTS FROM BEING SCRATCHED**

**** BEFORE YOU BEGIN , KINDY FOLLOW THE ASSEMBLY INSTRUCTIONS STEP BY STEP**

****DO NOT TIGHTEN ALL SCREWS AND BOLTS UNTIL THE BED IS FULLY SET-UP**

ASSEMBLY INSTRUCTIONS

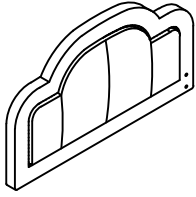

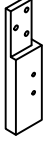
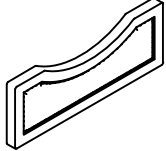
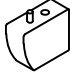
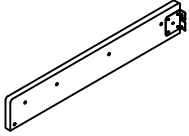
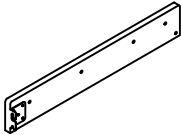
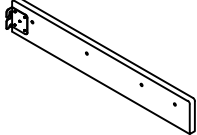
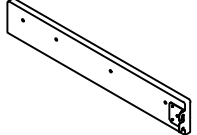
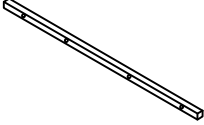


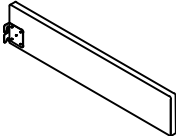
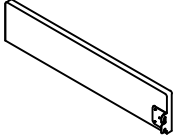
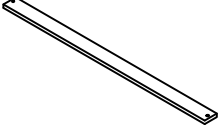
WF 314642



ASSEMBLY INSTRUCTION

WF 314642



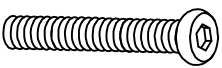
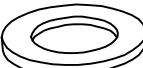


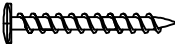
PART LIST IN: WF 314642

<p>1</p>  <p>Headboard Panel (1 pc)</p>	<p>2</p>  <p>Left Headboard Leg(1 pc)</p>	<p>3</p>  <p>Right Headboard Leg(1 pc)</p>
<p>4</p>  <p>Footboard Panel (1 pc)</p>	<p>5</p>  <p>Legs (2 pcs)</p>	<p>6</p>  <p>Side Rail (1pc)</p>
<p>7</p>  <p>Side Rail (1 pc)</p>	<p>8</p>  <p>Side Rail (1 pc)</p>	<p>9</p>  <p>Side Rail (1 pc)</p>
<p>10</p>  <p>Bed Support Bar (4 pcs)</p>	<p>11</p>  <p>Rail support legs (1pc)</p>	<p>12</p>  <p>Rail support legs (1pc)</p>
<p>13</p>  <p>Top Right Front Rail (1 pc)</p>	<p>14</p>  <p>Top Right Back Rail (1 pc)</p>	<p>15</p>  <p>Roll Slat (10 pcs) 985*60*15</p>

ASSEMBLY INSTRUCTIONS

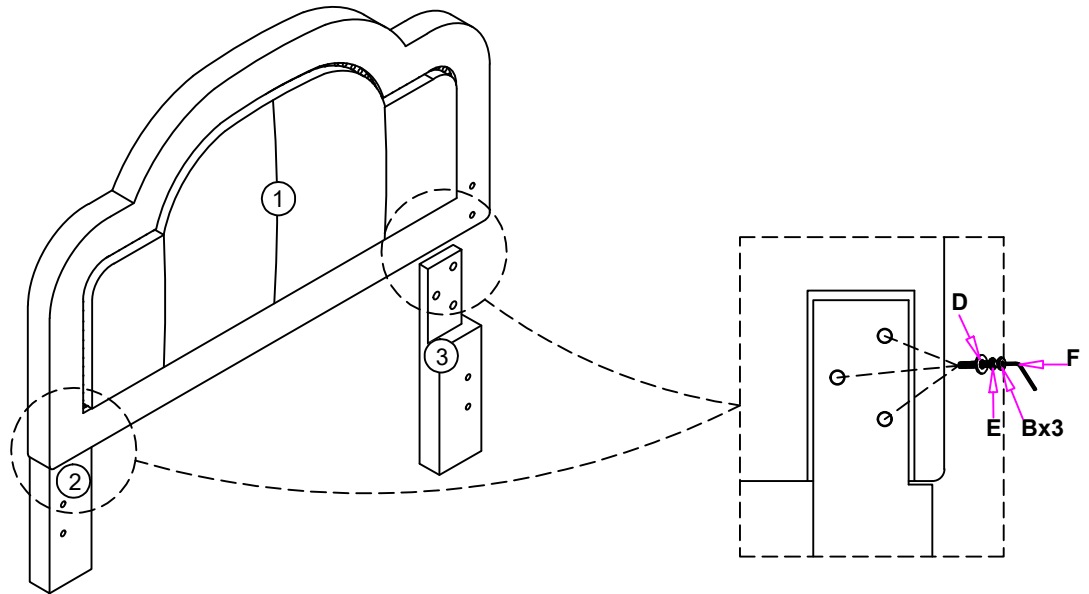
WF 314642





HARDWARE LIST IN WF 314642

<p>A</p>  <p>Short Bolt (12pcs) (5/16" X 25mm)</p>	<p>B</p>  <p>Long Bolt (16pcs) (5/16" X 38mm)</p>	<p>C</p>  <p>Long Bolt (18pcs) (5/16" X 50mm)</p>
<p>D</p>  <p>Flat Washer (46pcs)</p>	<p>E</p>  <p>Spring Washer (46pcs)</p>	<p>F</p>  <p>Allen Wrench (1pc) (M4x75mmx32mm)</p>
<p>G</p>  <p>Flat Head Screw (20pcs) (m4x30mm)</p>		

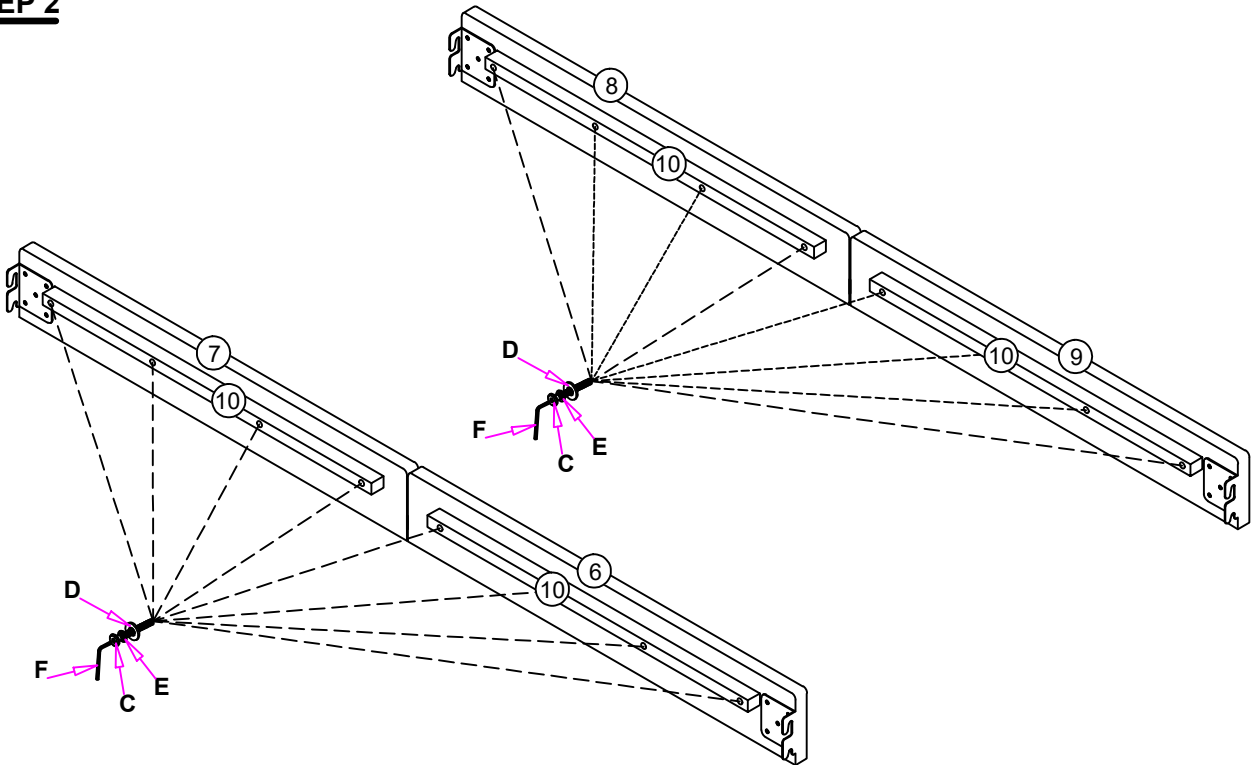
ASSEMBLY INSTRUCTIONS





STEP 1



B	Bolt (5/16 "X38mm)		6pcs	E	Spring Washer		6pcs
F	Allen Wrench (M4x75mm x32mm)		1pc	D	Flat Washer		6pcs

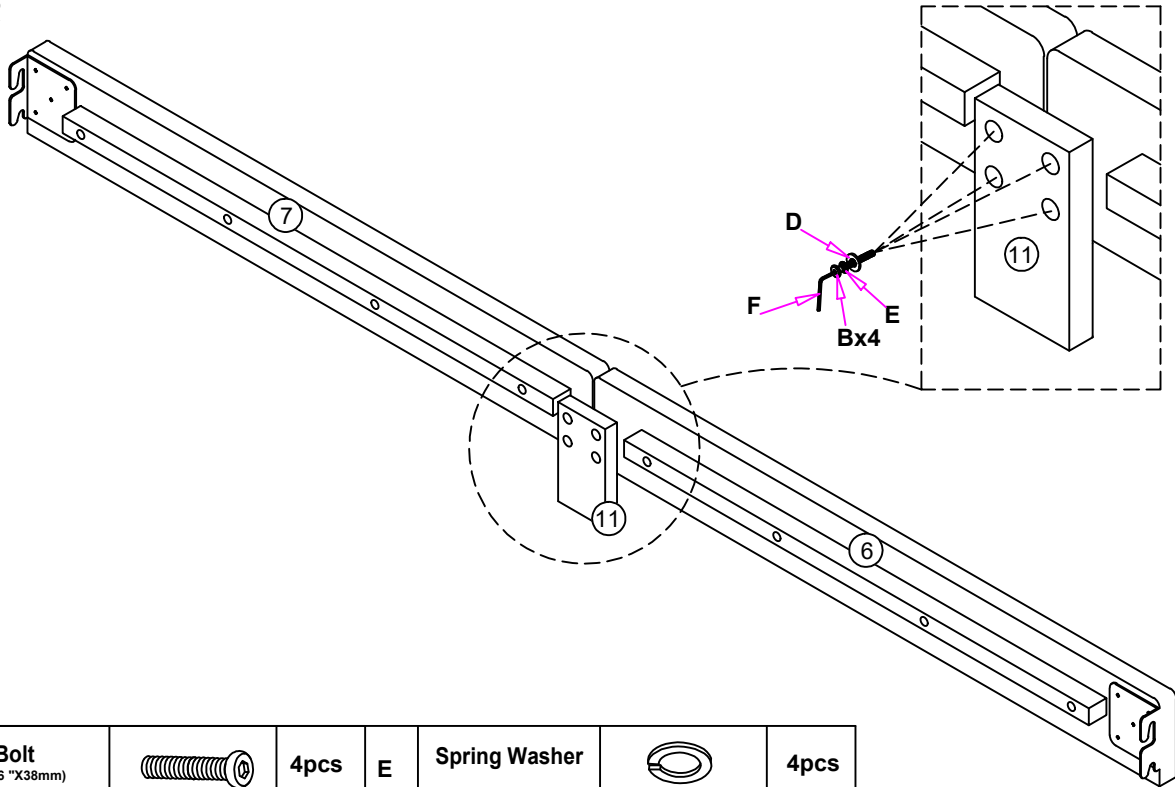
STEP 2







C	Bolt (5/16 "X50mm)		16pcs	E	Spring Washer		16pcs
F	Allen Wrench (M4x75mm x32mm)		1pc	D	Flat Washer		16pcs

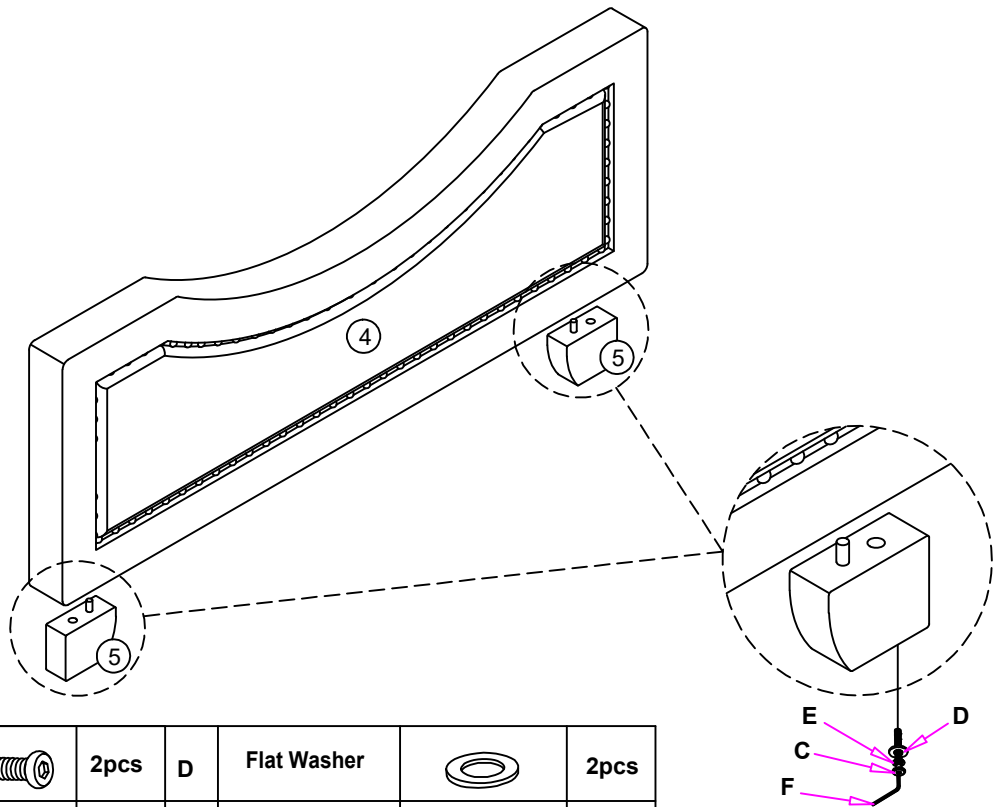
ASSEMBLY INSTRUCTIONS





STEP 3



B	Bolt (5/16" X38mm)		4pcs	E	Spring Washer		4pcs
F	Allen Wrench (M4x75mm x32mm)		1pc	D	Flat Washer		4pcs

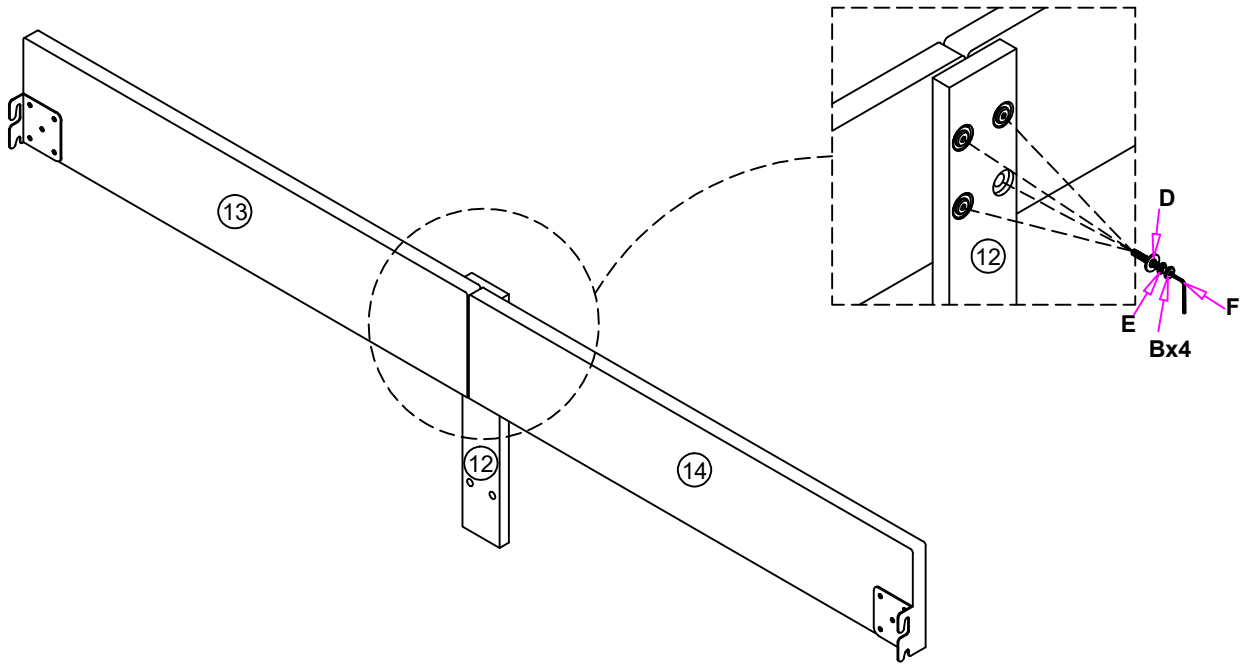
STEP 4







C	Bolt (5/16" X50mm)		2pcs	D	Flat Washer		2pcs
F	Allen Wrench (M4x75mm x32mm)		1pc	E	Spring Washer		2pcs

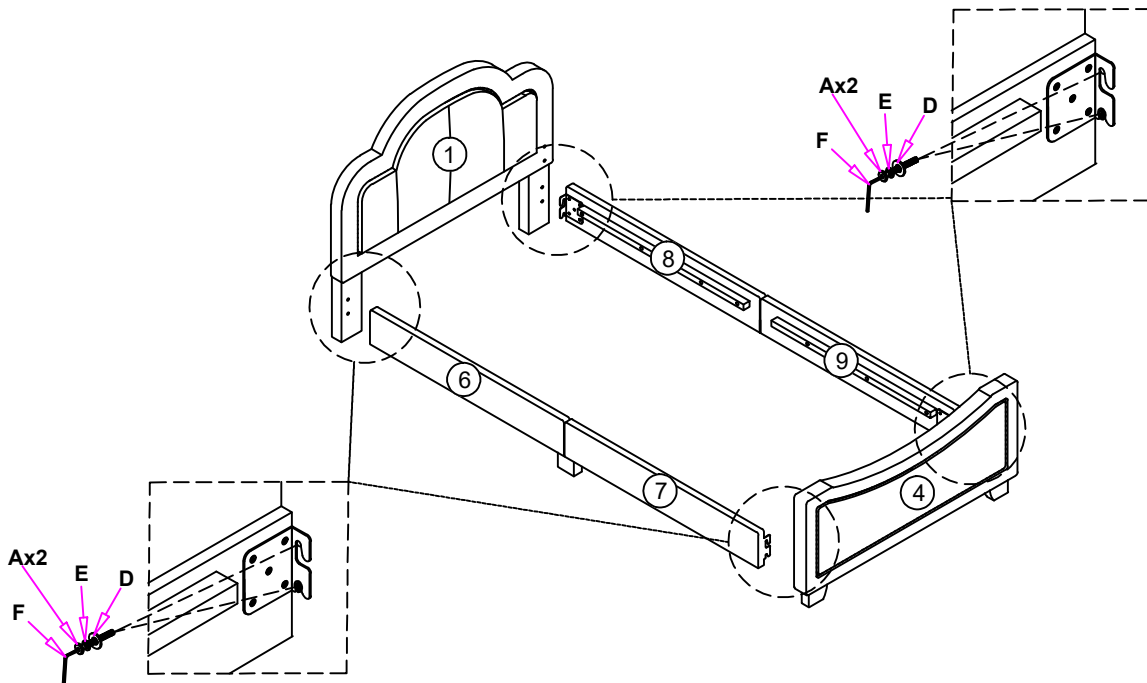
ASSEMBLY INSTRUCTIONS





STEP 5



B	Bolt (5/16 "X38mm)		4pcs	E	Spring Washer		4pcs
F	Allen Wrench (M4x75mm x32mm)		1pc	D	Flat Washer		4pcs

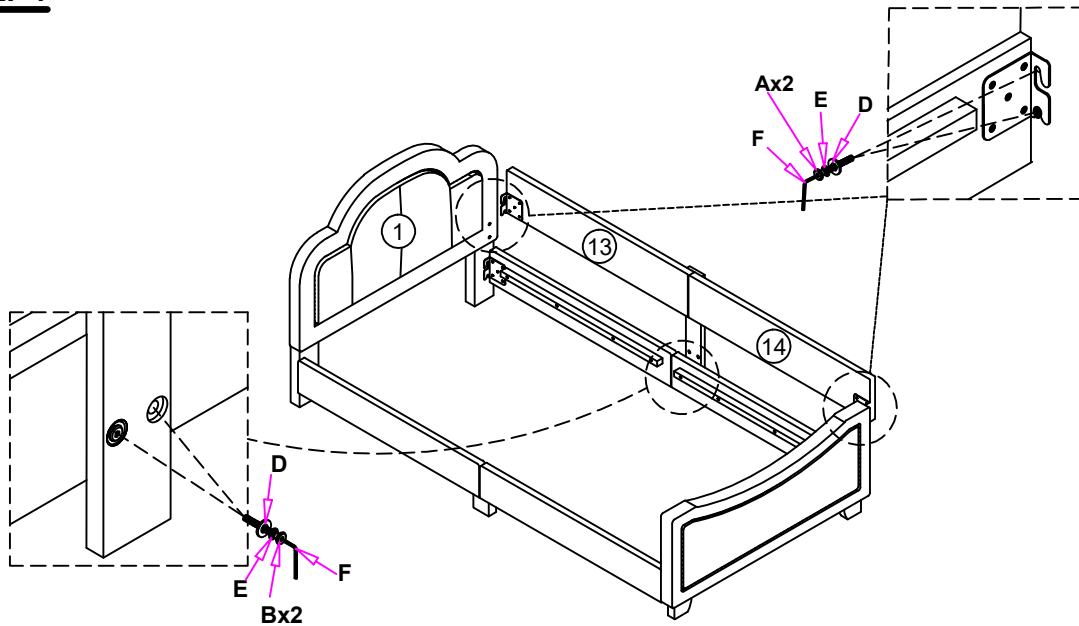
STEP 6








A	Bolt (5/16 "X25mm)		8pcs	D	Flat Washer		8pcs
F	Allen Wrench (M4x75mm x32mm)		1pc	E	Spring Washer		8pcs

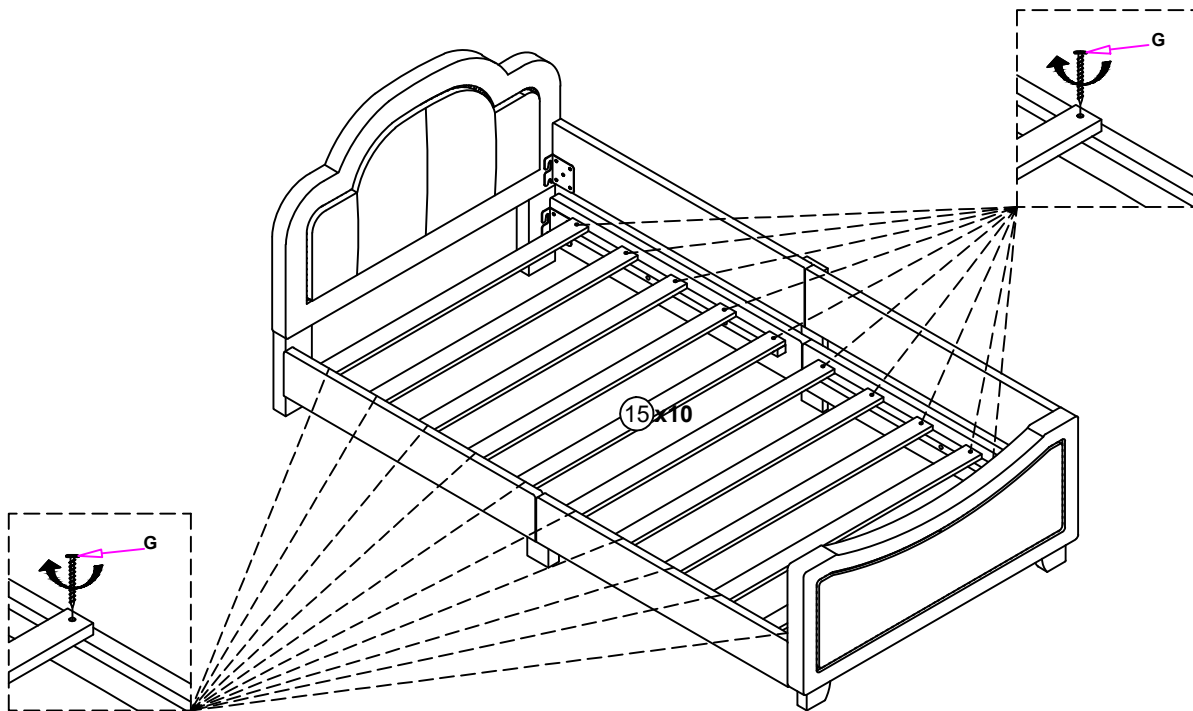
ASSEMBLY INSTRUCTIONS

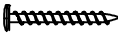
STEP 7



A	Bolt (5/16" X25mm)		4pcs				
B	Bolt (5/16" X38mm)		2pcs	D	Flat Washer		6pcs
F	Allen Wrench (M4x75mm x32mm)		1pc	E	Spring Washer		6pcs

STEP 8



G	Flat Head Screw (m4x30mm)		20pcs
---	-------------------------------------	---	-------

ASSEMBLY INSTRUCTIONS

STEP 9
COMPLETE

