

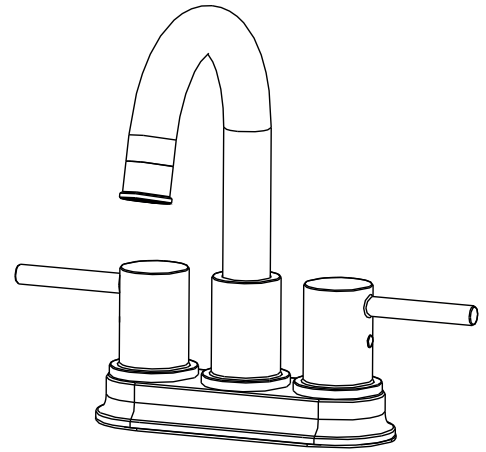


# Installation Instructions

St. Lucia  
BA-400-06

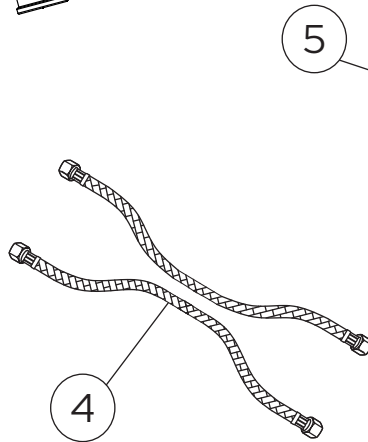
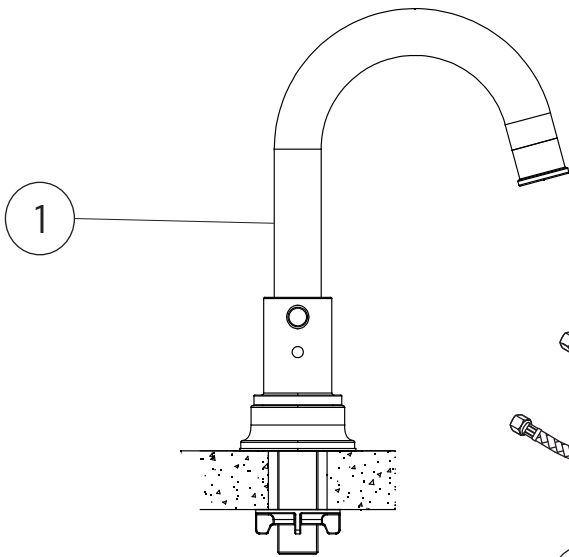
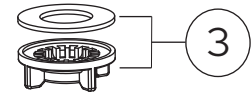
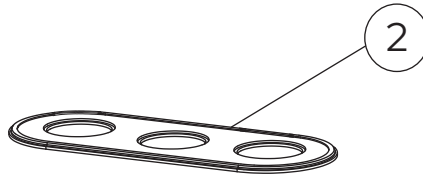
Two Handle Centerset Bathroom Faucet

Thank you for selecting Lulani.  
To ensure that your installation proceeds smoothly, please read these instructions carefully before you begin.



## Parts Included

- 1. Faucet
- 2. Above sink hardware: gasket
- 3. Below sink hardware: rubber washers, mounting nuts
- 4. Water supply lines
- 5. Over-flow pop-up drain



**!** Note: This faucet has been packaged with an over-flow pop-up drain. **DO NOT** use with a non-over-flow sink.

## Recommended Tools (not included)

- 1. Adjustable Wrench
- 2. Phillips Screwdriver
- 3. Safety Goggles
- 4. Flashlight
- 5. Bucket
- 6. Measuring Tape
- 7. Plumber's Putty
- 8. Channel Locks
- 9. Allen Key



### Caution: Tips for removal of old faucet

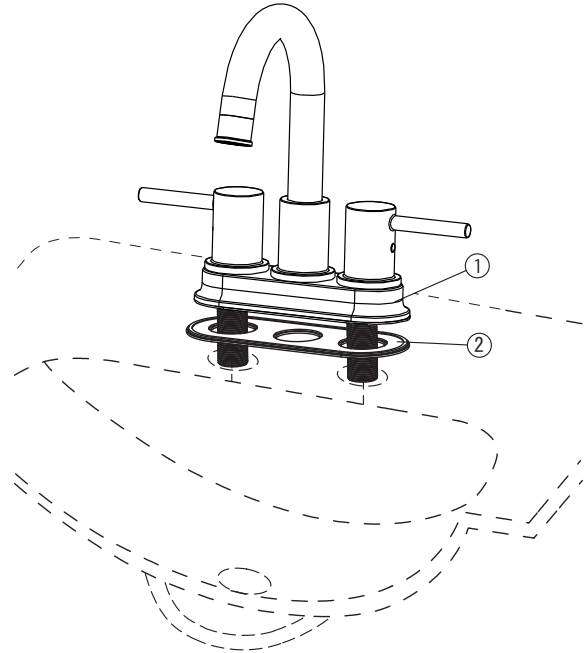
Always turn off the water supply before removing the existing faucet or replacing any part of the faucet. Open the faucet handle to relieve water pressure and ensure that water is completely shut off.

### Maintenance

Your new faucet is designed for years of trouble-free performance. Keep it looking new by cleaning it periodically with a soft cloth. Avoid abrasive cleaners, steel wool, and harsh chemicals as these will dull the finish and void your warranty.

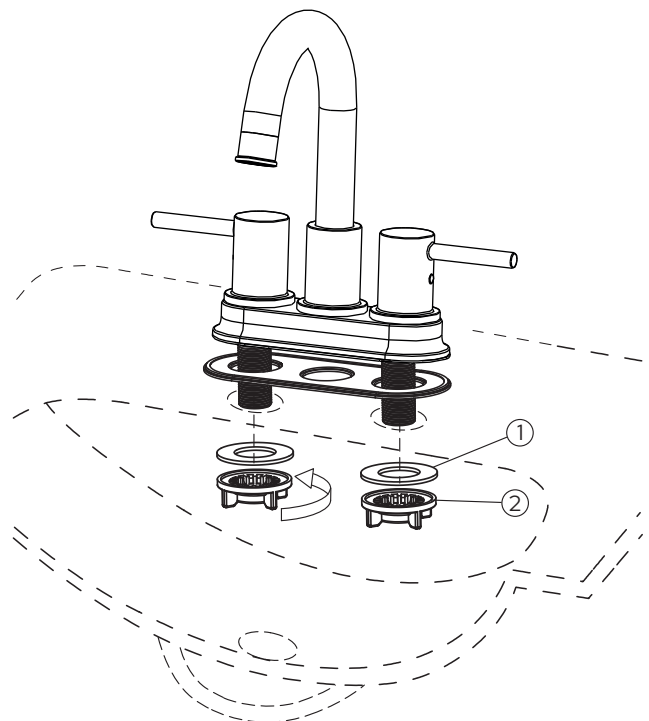
### Step 1

Above-sink installation:  
Place the faucet (1) and gasket (2) on top of the sink and insert through the installation holes.



### Step 2

Below-sink installation:  
From under the sink, secure the faucet with the rubber washer (1) and mounting nut (2). Tighten the mounting nut by hand.  
Do not over tighten!

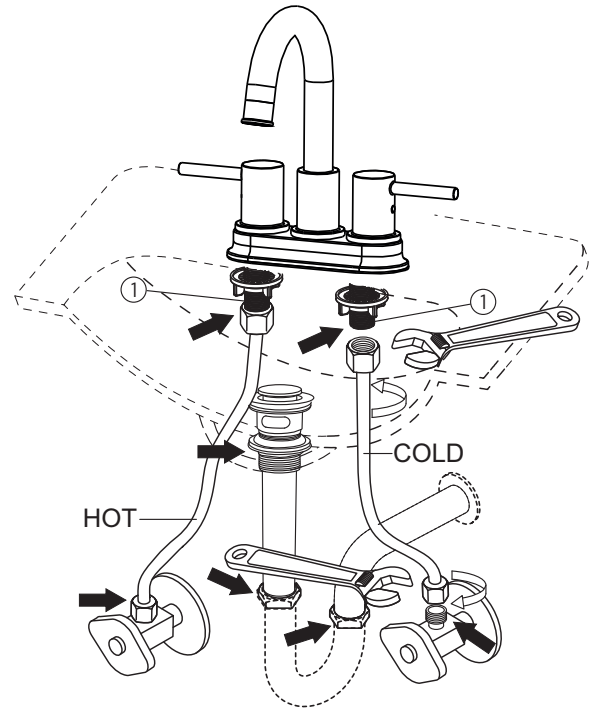


### Step 3

Connect the water supply lines to the tail pipes (1) of the faucet and to the hot and cold water supply valves. Secure and tighten with an adjustable wrench.

Caution: Be careful not to mix up the hot and cold supply lines.

Check all connections (shown with arrows in the image) for leaks. Re-tighten if necessary. **Do not over tighten!**



### Step 4

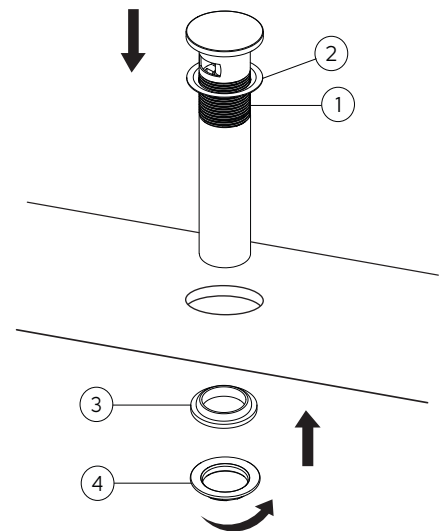
From the top of the drain hole, place the drain (1) through the installation hole. Make sure that the rubber o-ring (2) is on the top side of the sink. From under the drain hole, install the rubber gasket (3) and metal nut (4) by hand twisting on to the tail pipe of the drain. Then, install the tail pipe to the wall plumbing.

\*Note: Lulani faucets are packaged with over-flow drains by default. If you have a specialty sink and need a NON-over-flow drain, use the QR code below to view our alternative drain options. Use code **[FREEDRAIN]** at checkout to receive a free drain, just pay for shipping.



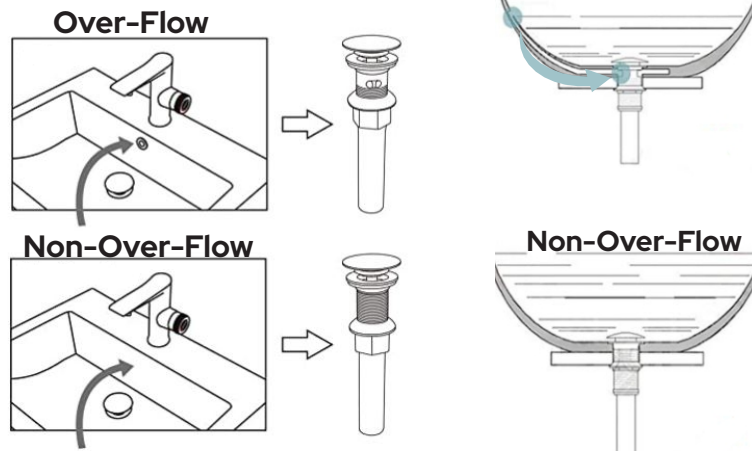
\*Limit of 1-time use per customer

\*Limited to the number of faucets purchased



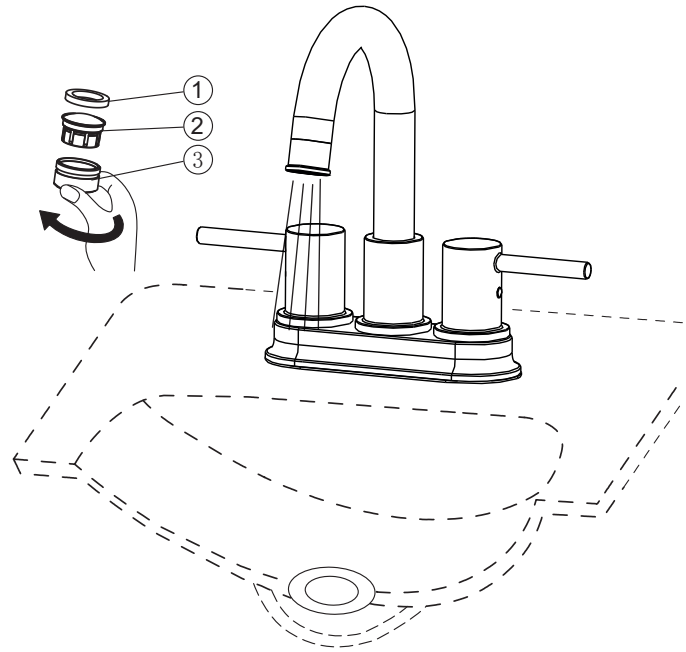
### What's an over-flow pop-up drain?

The primary purpose of the over-flow drain is to help your sink drain faster. The over-flow on the drain works in coordination with the primary drain to prevent flooding.



## Step 5

Hand remove the rubber o-ring (1), aerator core (2), and aerator collar (3). Turn the faucet handle all the way on, turn on the hot and cold water supply and flush the water lines for one minute. Then, re-install the aerator.



## About our products

Inspired by the tropical beaches, dramatic peaks and tumbling falls of St. Lucia, this sleek and stunning faucet is sure to leave a lasting impression. Available in both chrome and brushed nickel and featuring a Neoperl aerator, advanced water saving technology, and a Limited Lifetime Warranty, the St. Lucia faucet has everything you need to instantly elevate any room's design.

### **BOLD, MODERN DESIGNS**

Inspired by the world's most exotic locations, every Lulani product is designed to leave a lasting impression. After the initial sketch, our talented team of product engineers complete an extensive R&D process ensuring each piece performs beautifully.

### **ONLY THE HIGHEST QUALITY OF MATERIALS**

We settle for nothing short of perfection. That's why we source only the finest raw materials, components, and finishes. No shortcuts. Only the best for you and your family.

### **BEAUTY THAT LASTS A LIFETIME**

Our quality control experts meticulously test and retest each and every one of our products to ensure they exceed even the highest standards for health, safety and durability. From corrosion, pressure and decay resistance to flow rate and ease of assembly, all of our craftsmanship is backed by an industry-leading Lifetime Limited Warranty.



Congratulations! You've successfully finished installing your new faucet. For troubleshooting questions or concerns, please reference the Owner's Manual or visit our website at [www.lulani.com](http://www.lulani.com).

We value your opinion! Don't forget to leave us a review.