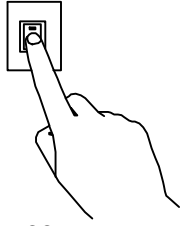


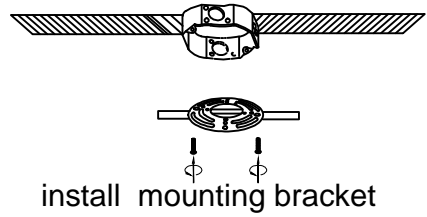
Installation Instruction

1



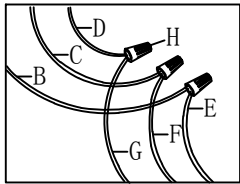
turn off the power.

2



install mounting bracket

3

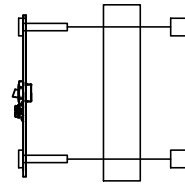


Wire connection

B-Black wire(L) from junction box
C-White wire(N) from junction box
D-Green wire or bare copper from junction box
B-Black wire(L) from fixture
F-White wire(N) from fixture
D-Green wire or bare copper from fixture
H-wire connector x 3

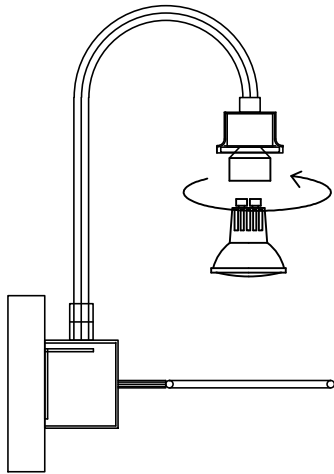
Connect wires

4

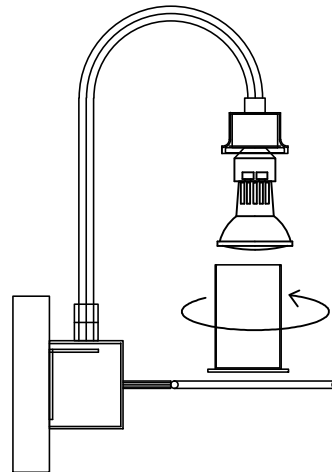


rise and install canopy to Mounting bracket

5



6



7

