

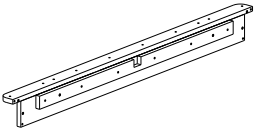
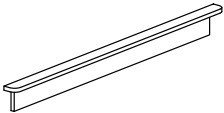
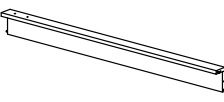
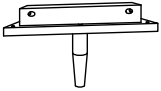


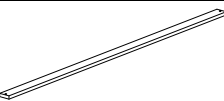


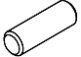





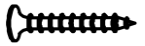
CARE AND MAINTENANCE

Spot clean using a mild water-free solvent. Only a professional cleaner should undertake a complete overall cleaning.
The use of steam or water-based cleaners may cause excessive shrinking or staining.

NOTICE

- * Please make sure that you have all parts indicated before you begin assembly of this item
- * This item should be assembled on a soft surface to prevent scratching the finish during assembly
- * This item may require periodic tightening

Part List and Hardware List

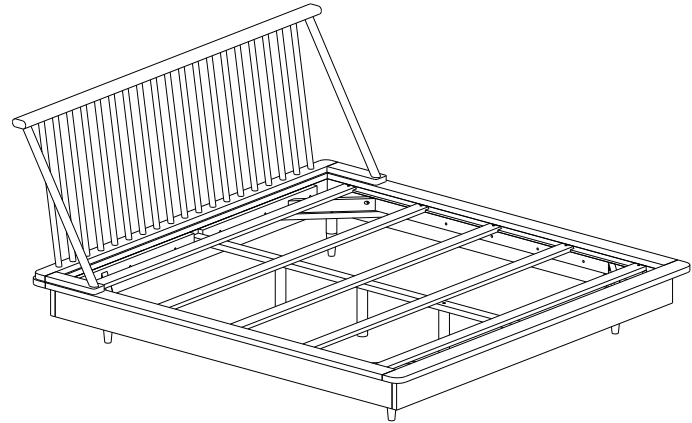
PIECE	DESCRIPTION	PICTURE	QUANTITY
A	BOTTOM FRAME		1X
B	FOOTBOARD		1X
C	SIDE RAILS		2X
D	LEGS		4X
E	CENTRE SUPPORT RAIL		2X
F	CENTRE LEGS		6X
G	SLATS		5X
H	HEADBOARD		1X
I	CROSS BAR		2x
HW1	WOODEN DOWEL		16X
HW2	METAL THREAD	 M8x70mm	8X
HW3	SEMICIRCLE WASHER		8X
HW4	SPRING WASHER		14X
HW5	NUT	 M8	8X
HW6	SPANNER	 M13	1X
HW7	SCREW	 4x30mm	10X



SAFAVIEH

COOUTURE

Model #: SFV4110-K

Product Dimensions: 93"W x 68 8/9" D x 43 2/9"H



HW8	CROSS BOLT	 M6x40mm	44X
HW9	ALLEN KEY		1X



Weight capacity: 400lbs
 Warning: DO NOT STAND ON TABLE
 Warning: DO NOT OVER TORQUE BOLTS

PREPARETION

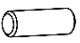
Before beginning assembly of product, make sure all parts are present. Compare parts with package contents list and hardware contents list.

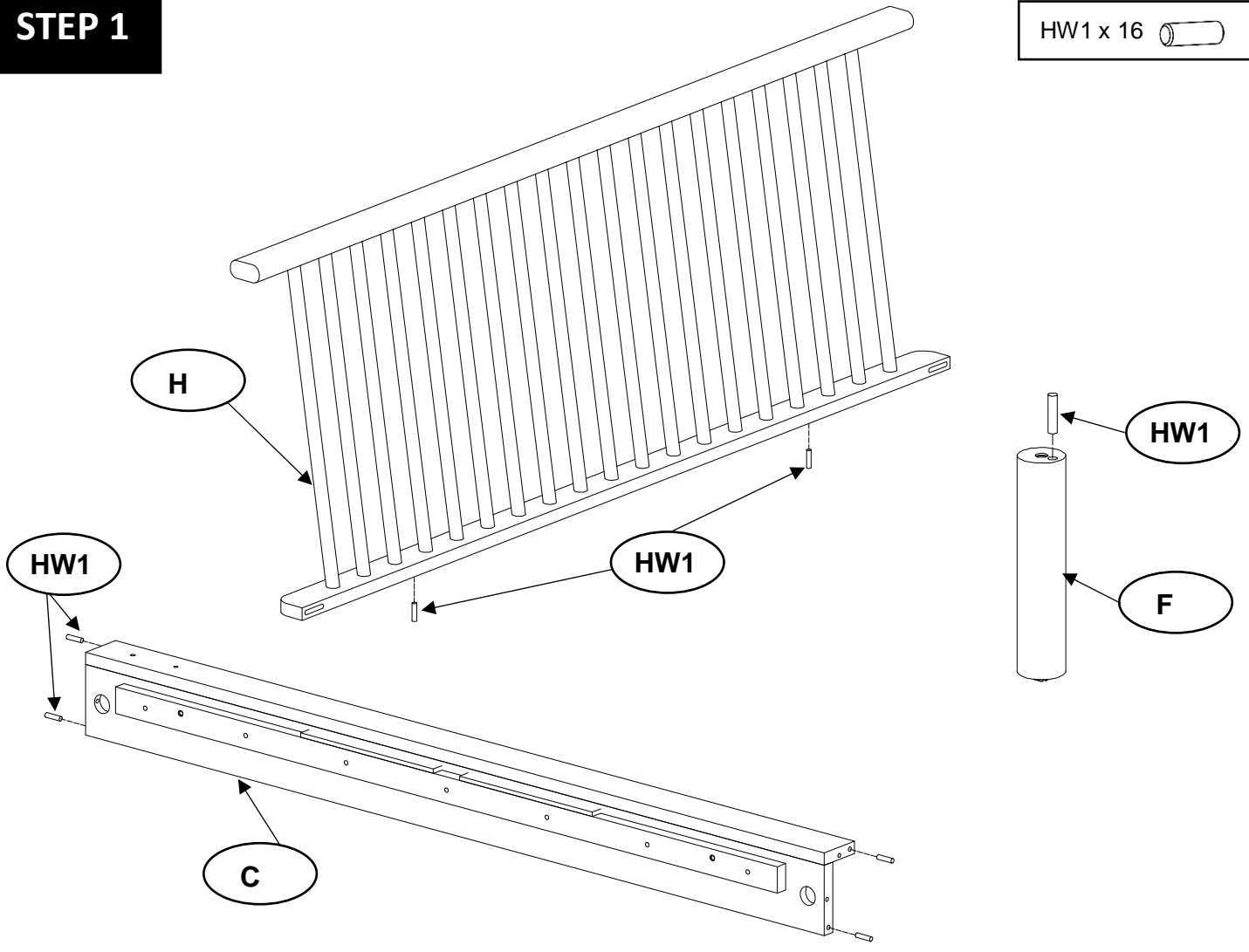
If any part is missing or damaged, do not attempt to assemble the product.

Estimated Assembly Time: 10 minutes


Tools Required for Assembly (Not included): Phillips Screwdriver

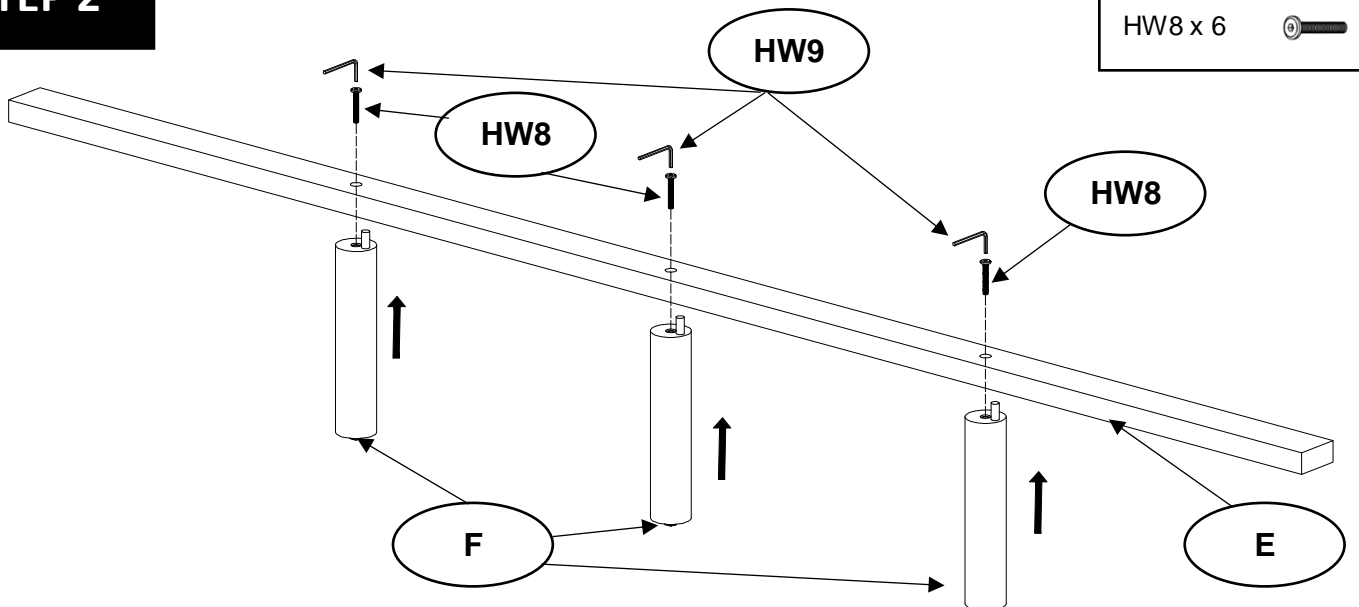
STEP 1

HW1 x 16 



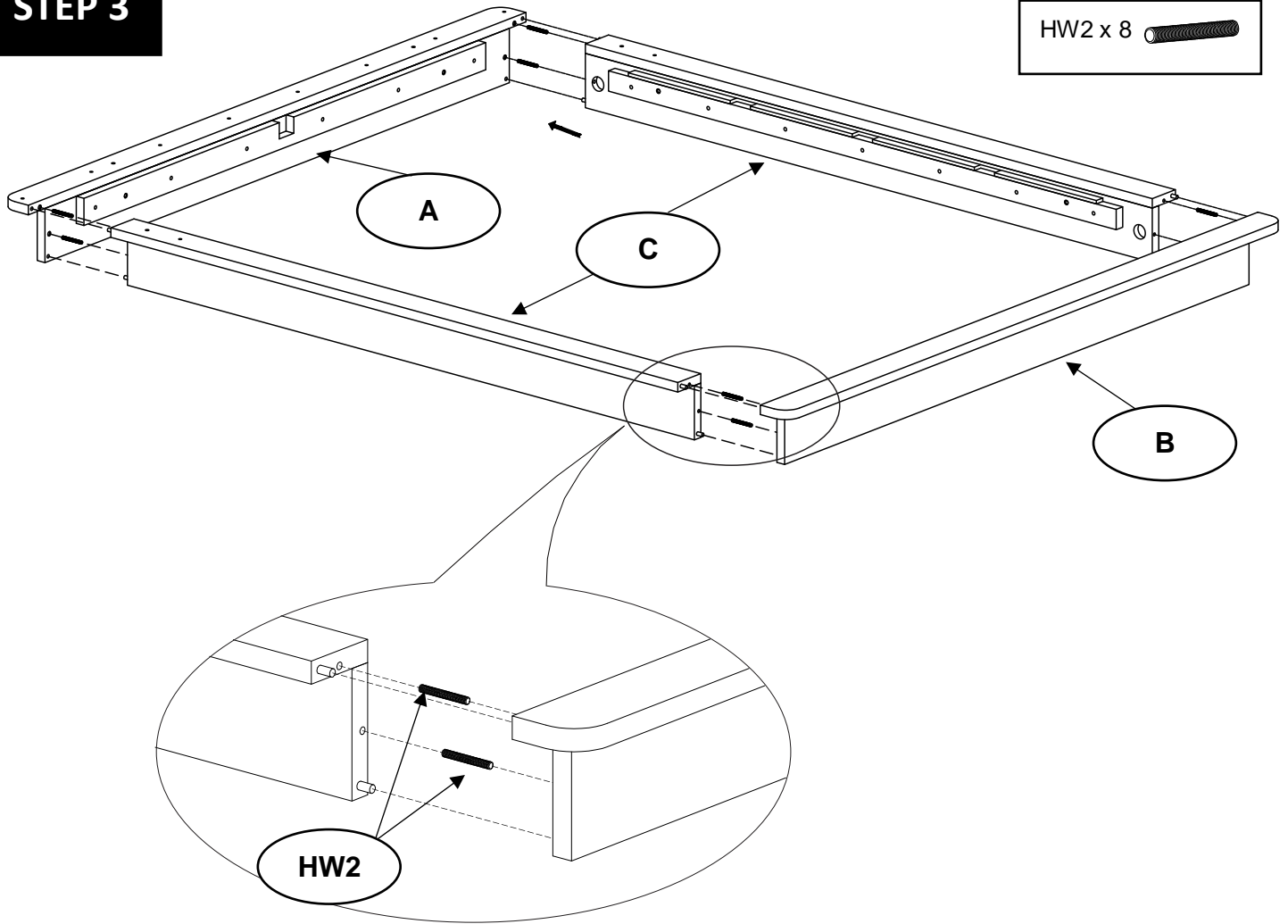
STEP 2

HW8 x 6 



STEP 3

HW2 x 8



STEP 4

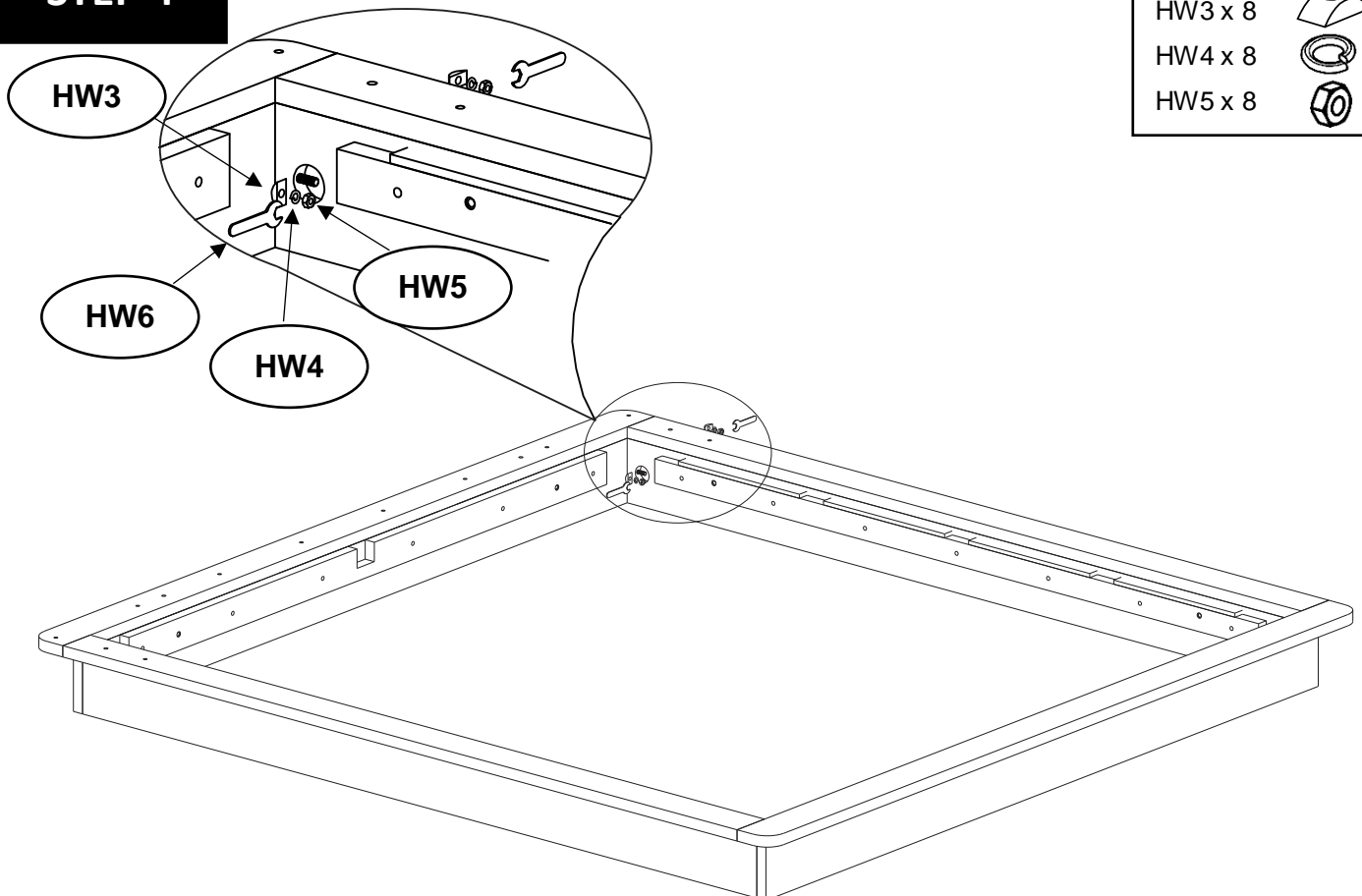
HW3 x 8



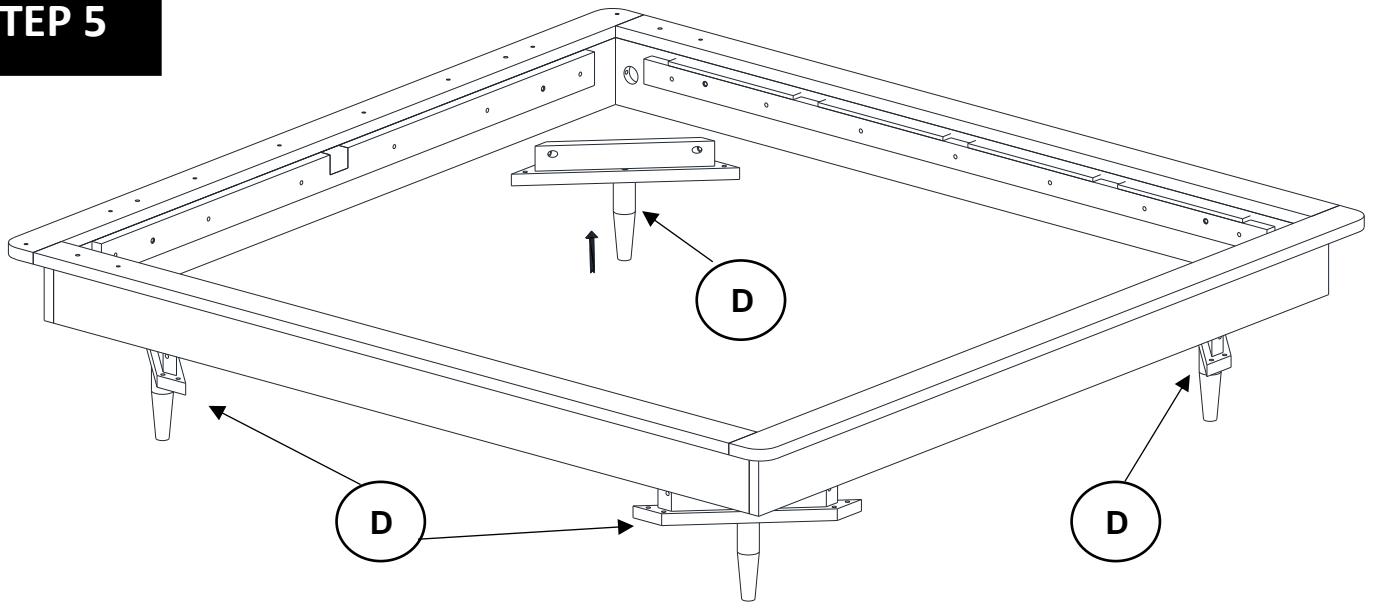
HW4 x 8




HW5 x 8

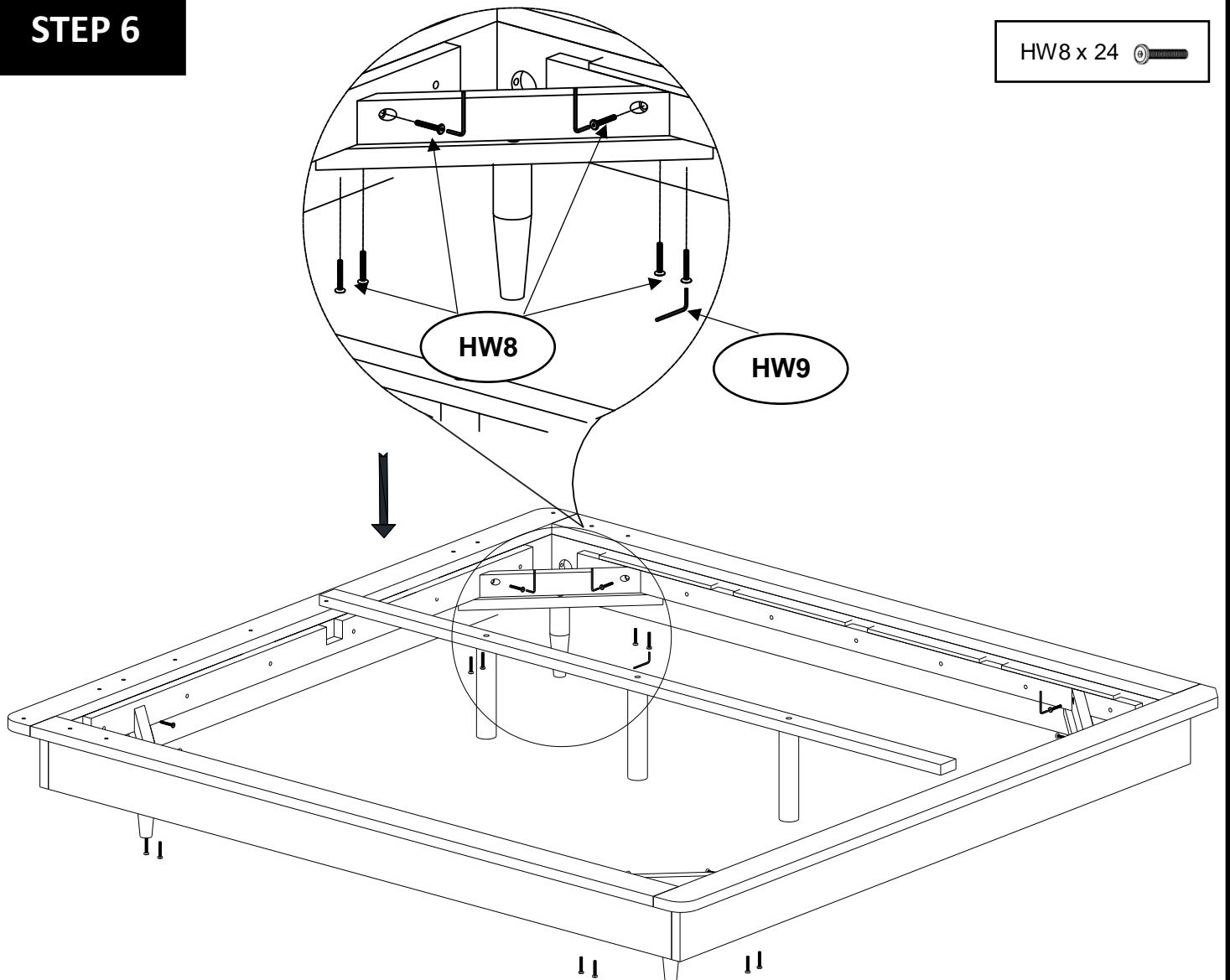


STEP 5

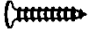


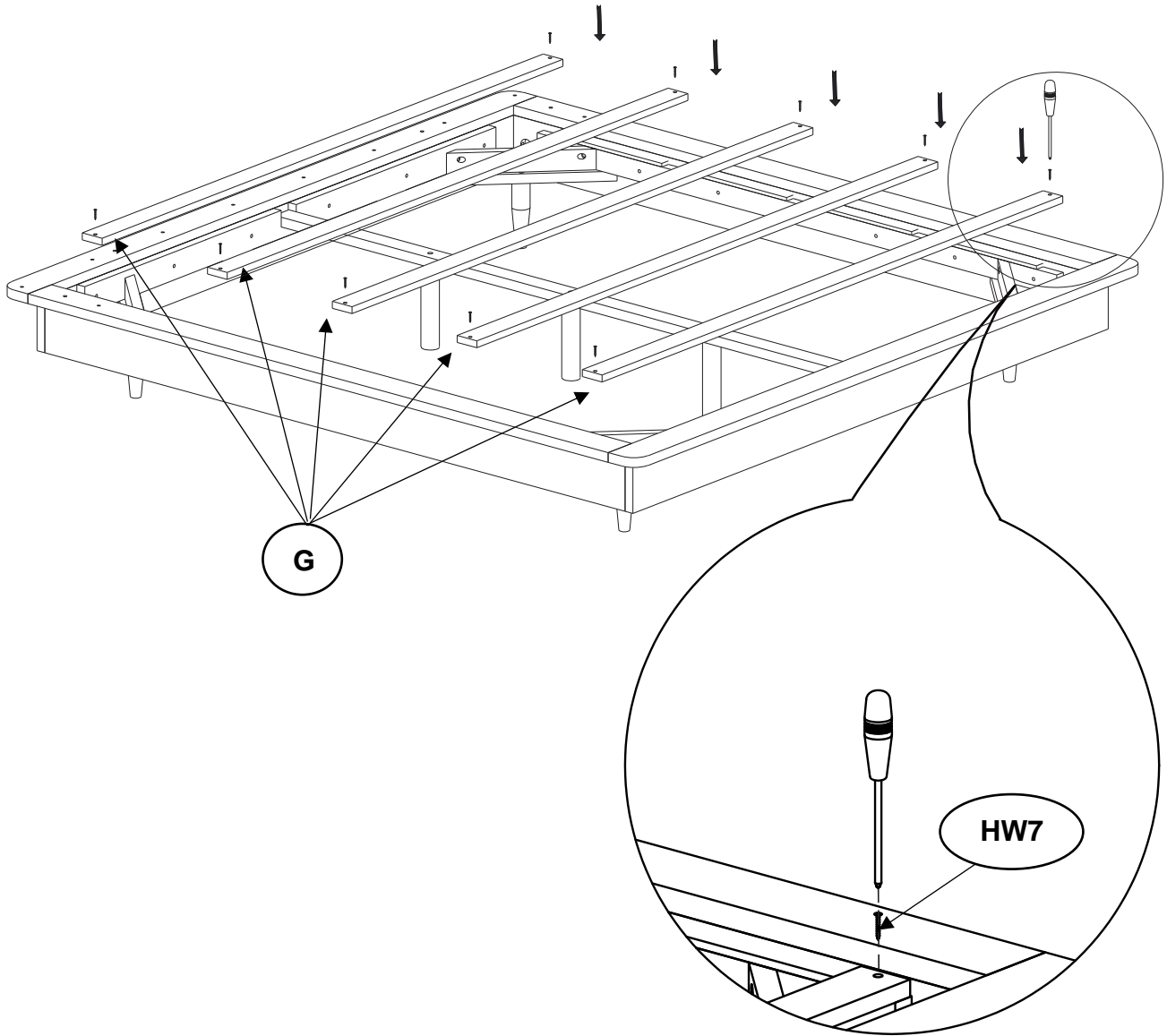
STEP 6

HW8 x 24 



STEP 7

HW7 x 10 



STEP 8

HW8 x 14 