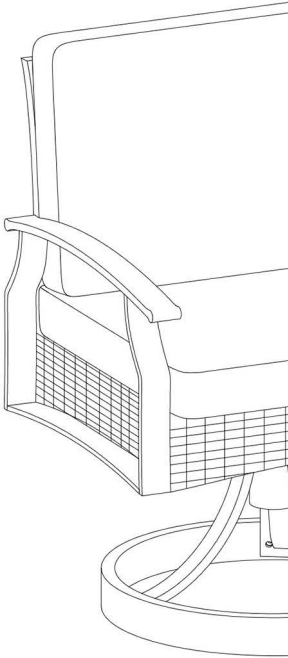


Owner Manual



WARRANTY

We strive to offer high quality product and we also try our best to satisfy each customer that order from us, no matter on products or services as needed. Each customer receives a record of their order, such as the order number or item receipt. For any items that are out of warranty period, you may still be able to purchase the replacement parts from our company if they are available.



MAINTENANCE AND WARNING

Please read the manual thoroughly
before you start installing.

Please keep the product away from
sharp object.

Packaging and small parts may have
chocking hazard, please keep them away
from children and pets.

Please clean the product according to each
clean code, check the product description
for more information.

Please keep the product away from
fire.

If you have any other questions, please
contact us, we will be glad to help you out.

If the product is placed under direct
sunlight, the pattern or color might fade
away overtime.

Check the product periodically to make
sure everything is secured and tightened.

Always use proper tools for installation.

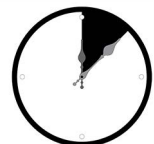
Do not jump on the product.



Two people



0-3



Around 60 min

PRODUCT DESCRIPTION

This set comes with water- and stain-resistant cushions that are easy to clean, while the foam-filled upholstery offers a cozy feel.

It includes a patio sofa, loveseat, and two high-back chairs with 360° swivel capability for effortless rotation and rocking features.

The steel frames of the chairs showcase curved arms and cut-out designs on the back for plenty of charm.

Complete with a matching table, this conversation set is just right for outdoor gatherings and relaxation.

Just remember to store indoors or cover when not in use to keep it looking its best.

Dream

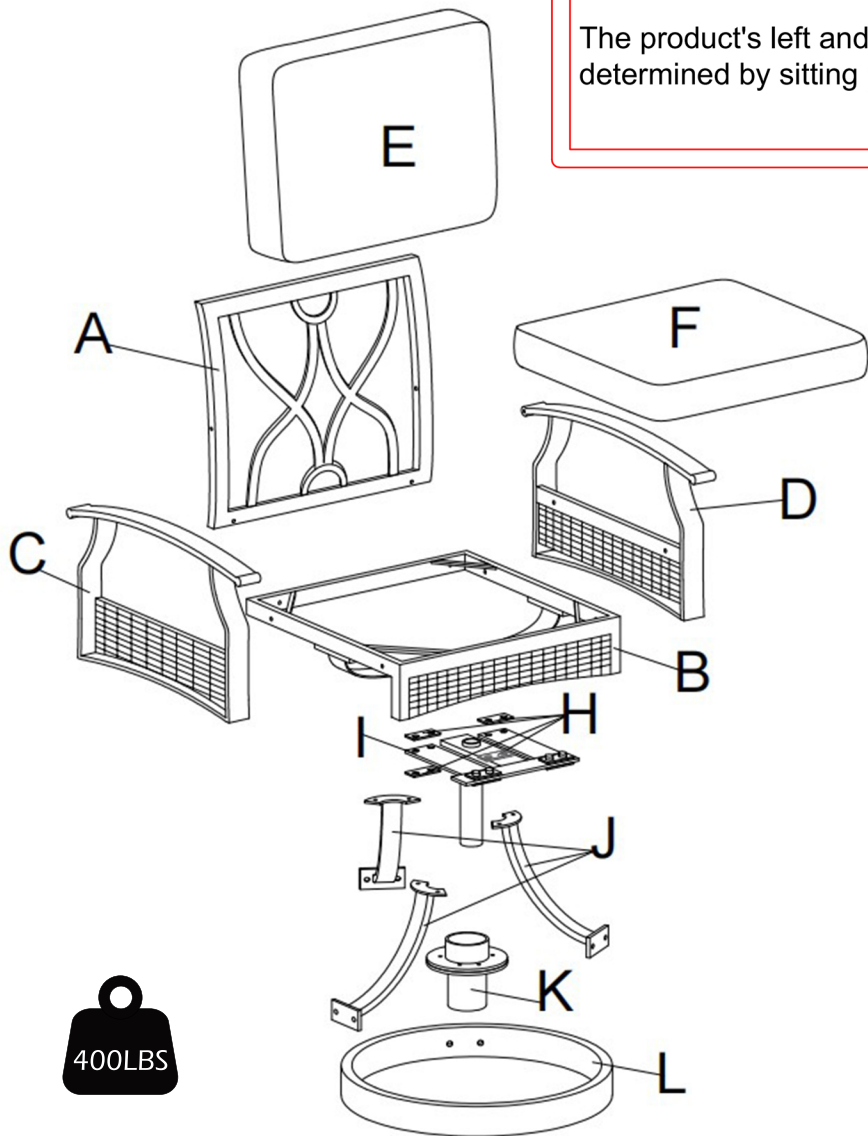


House

EXPLODED VIEW

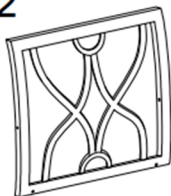


The product's left and right are determined by sitting posture



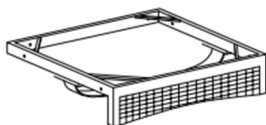
PARTS

A*2



Backrest

B*2



Seat frame

C*2



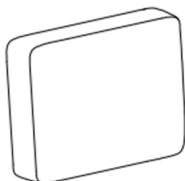
Right arm

D*2



Left arm

E*2



Back cushion

F*2



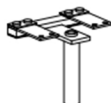
Seat cushion

H*8



Metal plate

I*2



Mechanism

J*6



Securing pieces

K*2



Shaft part

L*2



Siderosphere

HARDWARE

TOOL LIST

NOTE: Designated with (★) We provide additional spare parts in the hardware package

①*16



★ M6*40mm
Bolt

②*4



★ M6*35mm
Bolt

③*12



★ M6*20mm
Bolt

④*8



★ M8*30mm
Bolt

⑤*12



★ M8*20mm
Bolt

⑥*20



★ M8
Nut

⑦*32



★ M6
Flat washer

⑧*1



M6
Allen key

⑨*2



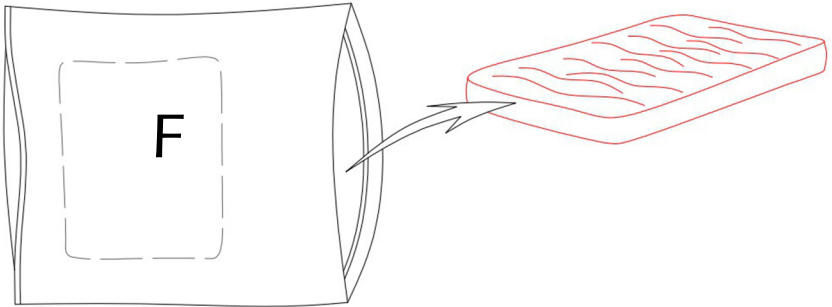
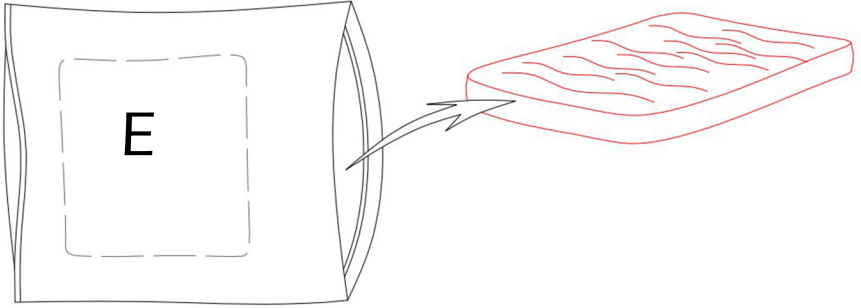
13mm
Hexagon wrench

Please make sure all hardware&packing material fitting the list.

Especially some small accessories may be missing during transportation. Please contact us if you have any question.

step 1

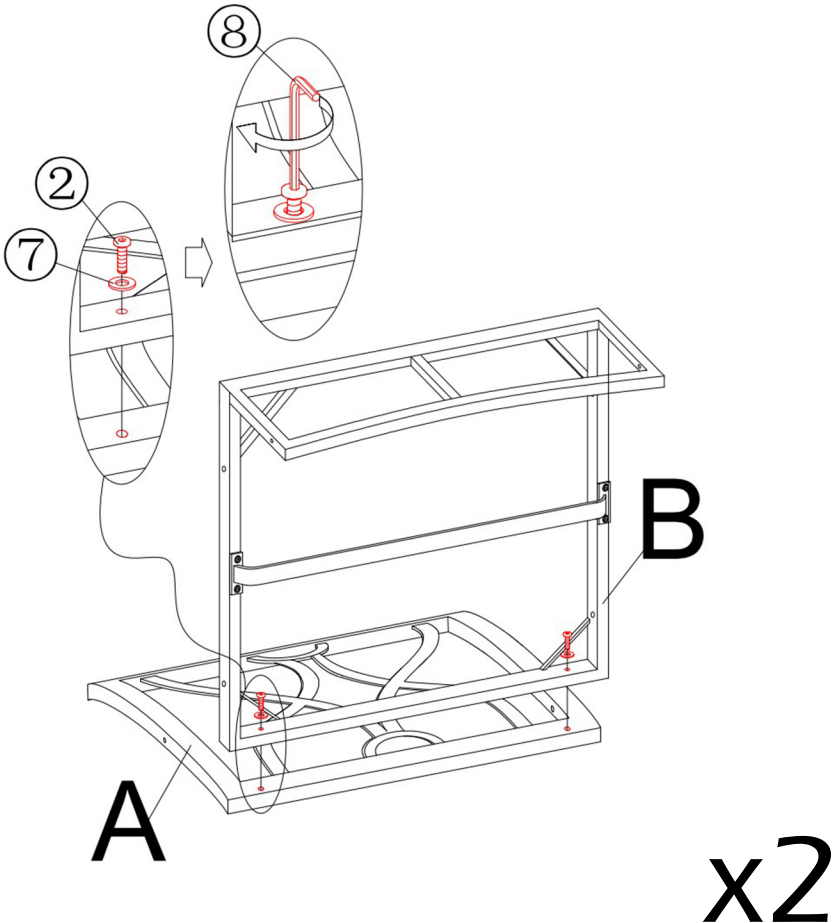
Take out the cushions (E& F) from the compression bags, and allow it to recover to its original shape, it might take up to 24 hours to be fully recovered, you may gently slap on them to speed up the process.



X2

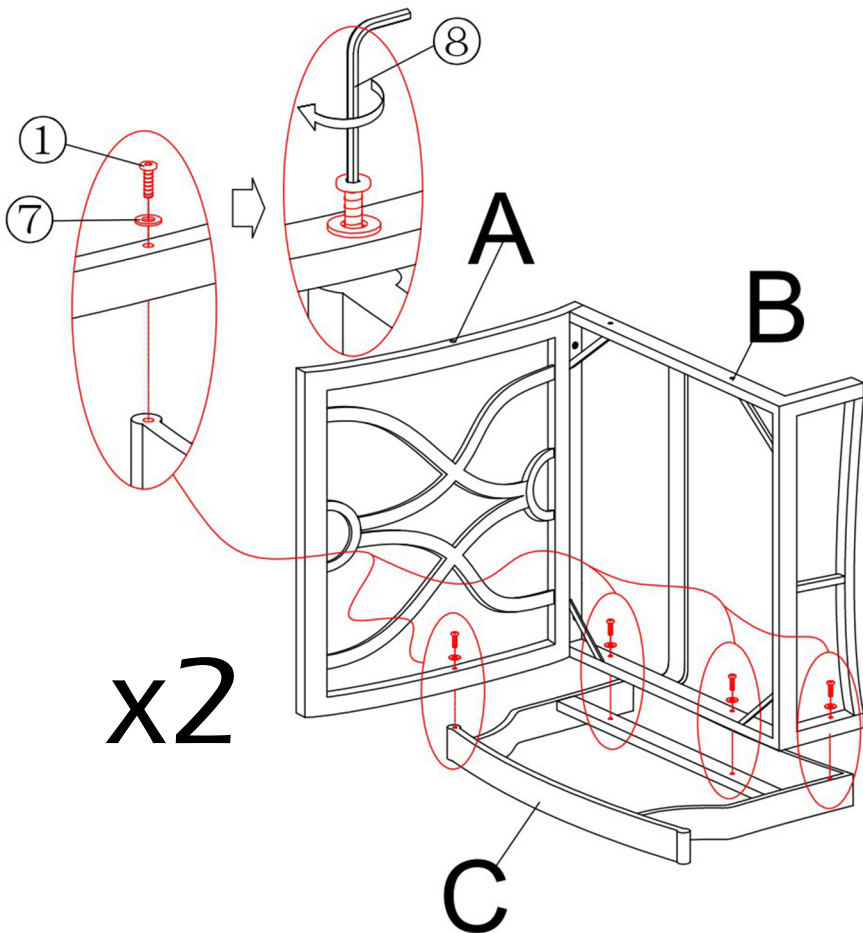
step 2

Connect the seat frame (B) with the backrest (A) as shown. Add one washer (7) on each bolt (1) as shown, then align the bolt holes on both seat frame (B) and backrest (A), then use the allen wrench (8) provided to tighten all bolts by 30%-50% at first, ensuring that all bolts are aligned correctly before tightening all bolts.



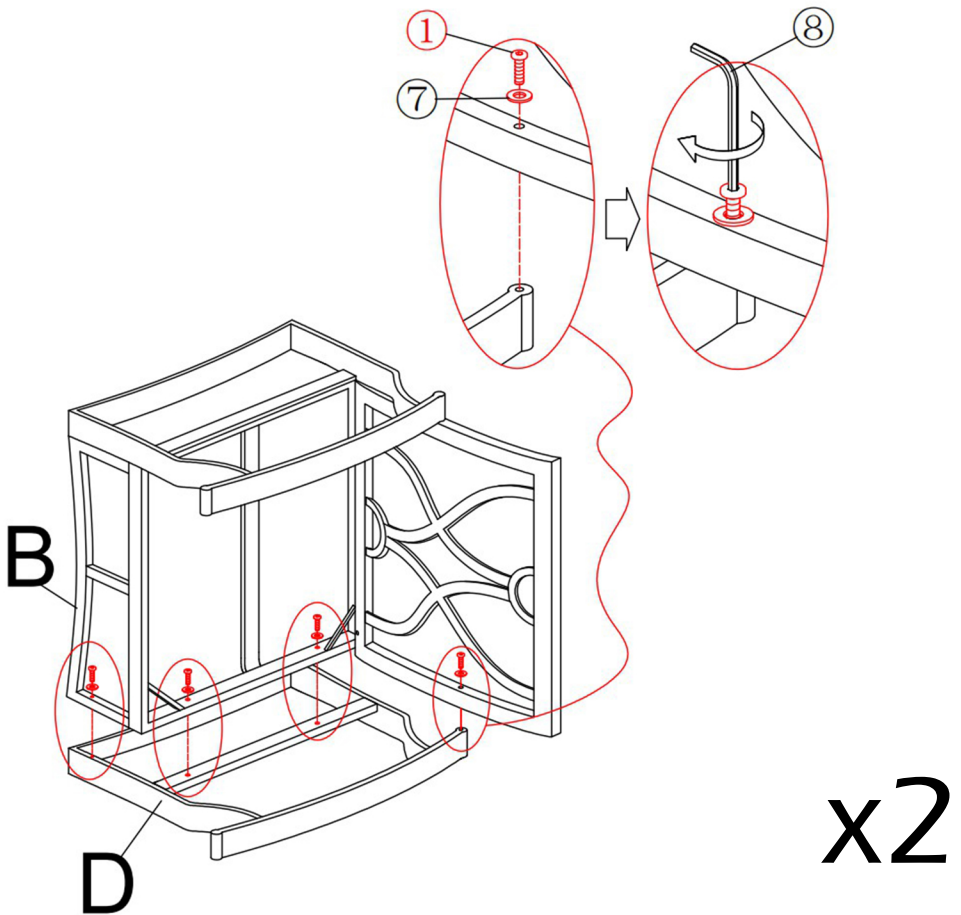
step 3

First, add one flat washer (7) on each bolt (1) as shown, then align the bolt holes on both seat frame and right arm (C), then use the allen wrench (8) provided to tighten all bolts by 30%-50% at first, ensuring that all bolts are aligned correctly before tightening all bolts.



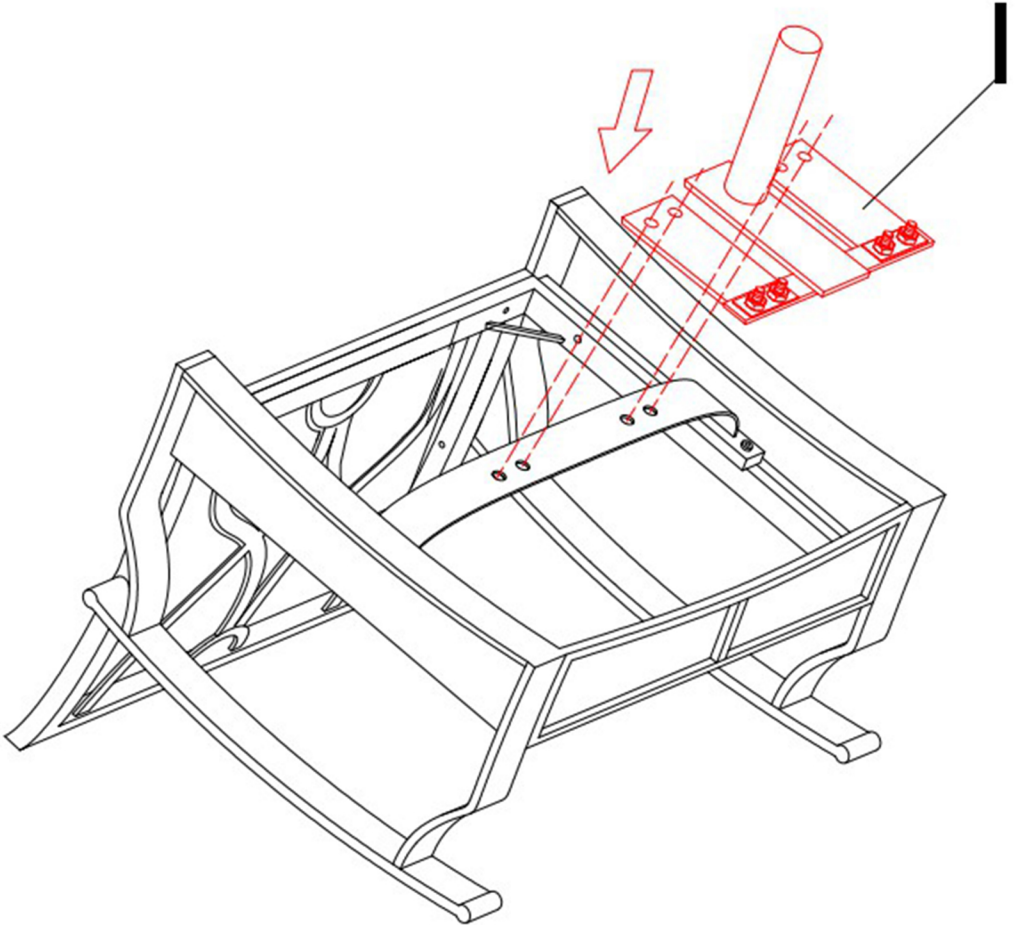
step 4

First, add one flat washer (7) on each bolt (1) as shown, then align the bolt holes on both seat frame and the left arm (D), then use the allen wrench (8) provided to tighten all bolts by 30%-50% at first, ensuring that all bolts are aligned correctly before tightening all bolts.



step 5

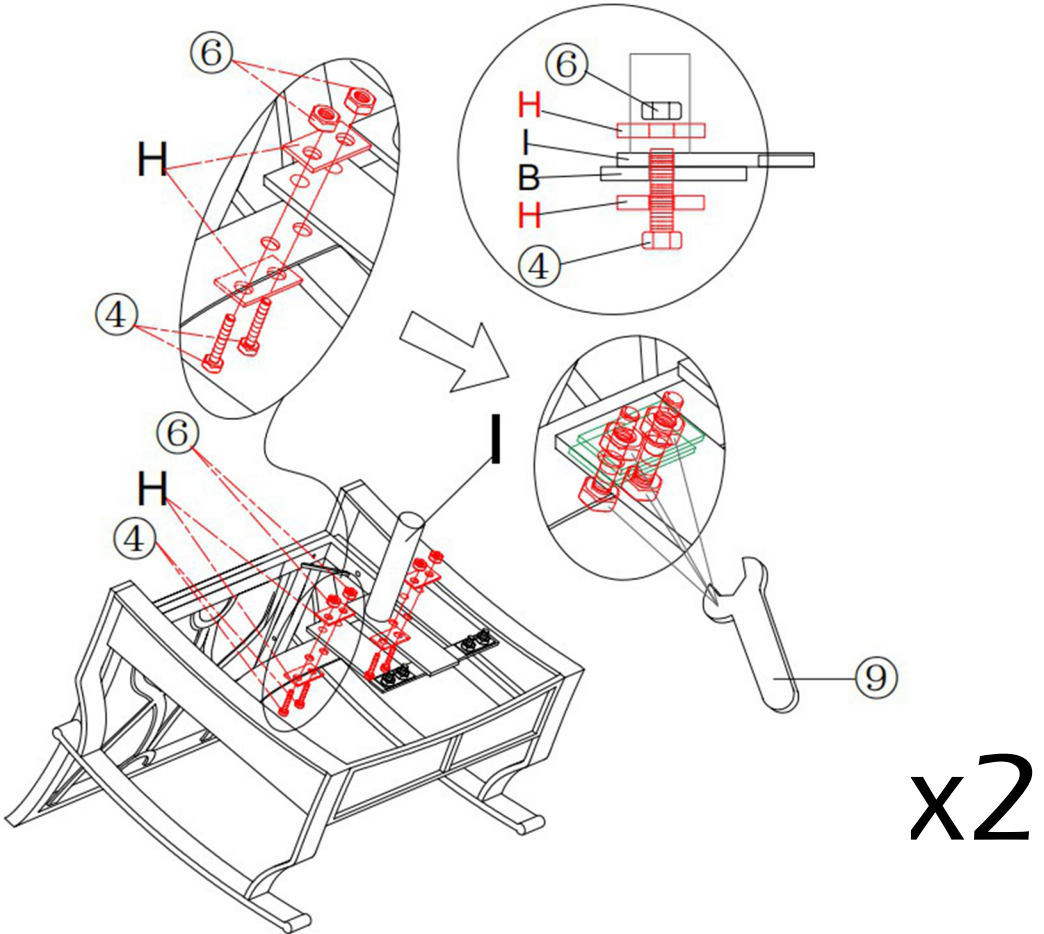
Place the connecting part of the mechanism (I) underneath the bracing piece as shown, make sure the bolt holes are correctly aligned.



x2

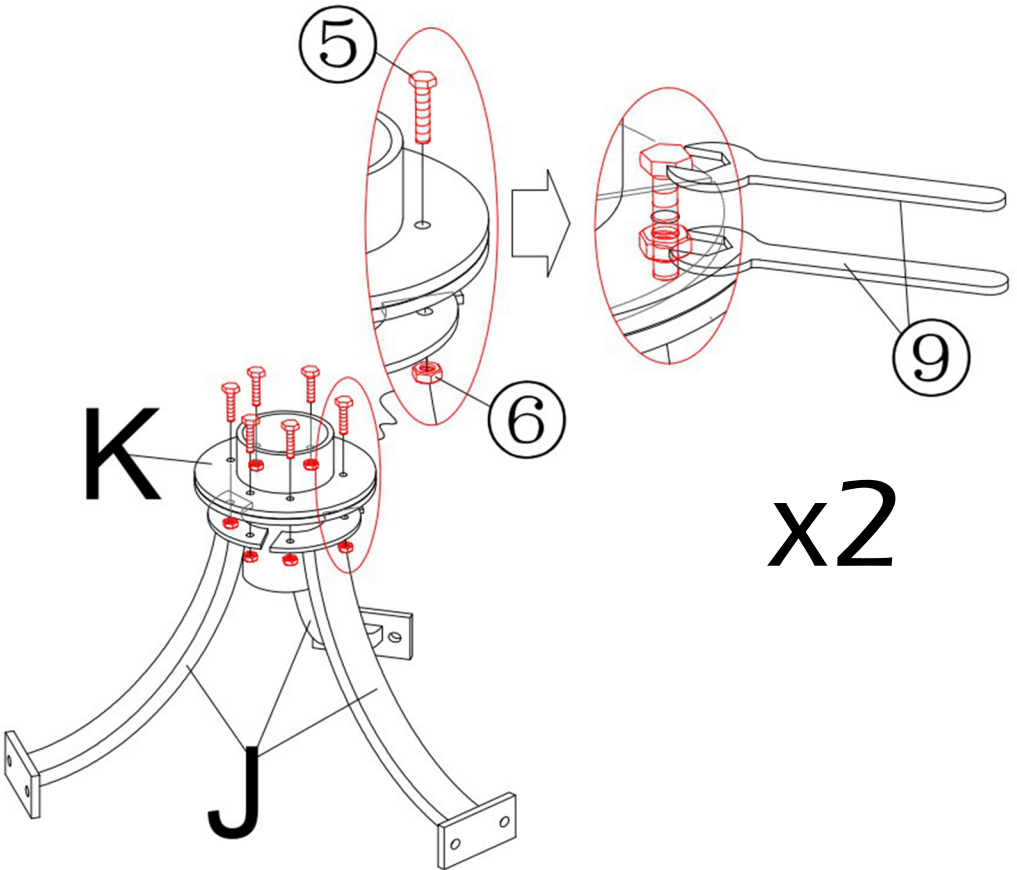
step 6

Place one metal plate (H) on each side of the bolt holes to connect bracing part (B) with the mechanism (I). Place one nut (6) on each of the top holes and screw the bolts (4) from the bottom as shown. Use the hexagon wrench (9) provided to fix the nuts on top, and use the hexagon wrench (9) provided to tighten all the bolts (4).



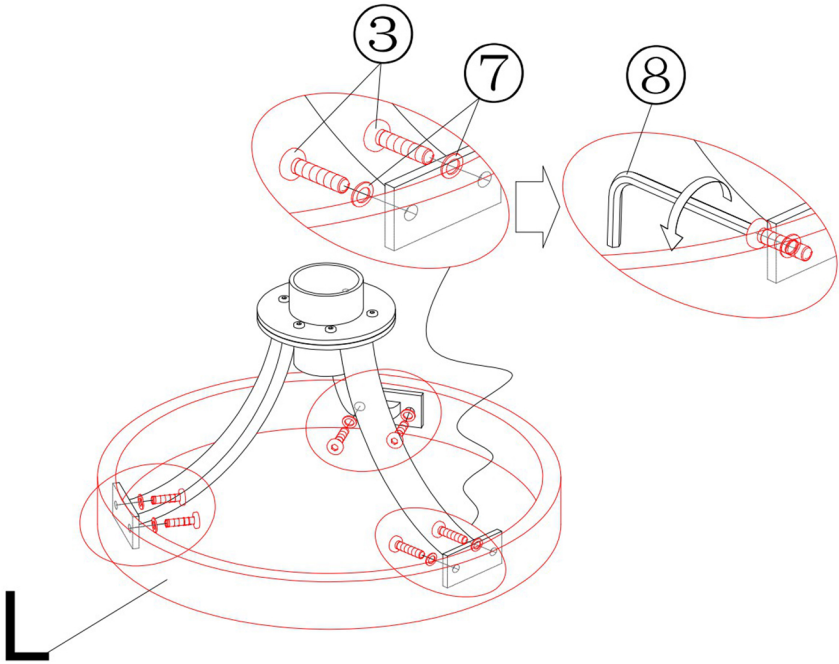
step 7

Connect three securing pieces (J) onto the shaft part (K) as shown. Place one nut (6) underneath to fix each bolt (5), use the hexagon wrench (9) provided to tighten all the bolts while using the hexagon wrench (9) to fix the nuts.



step 8

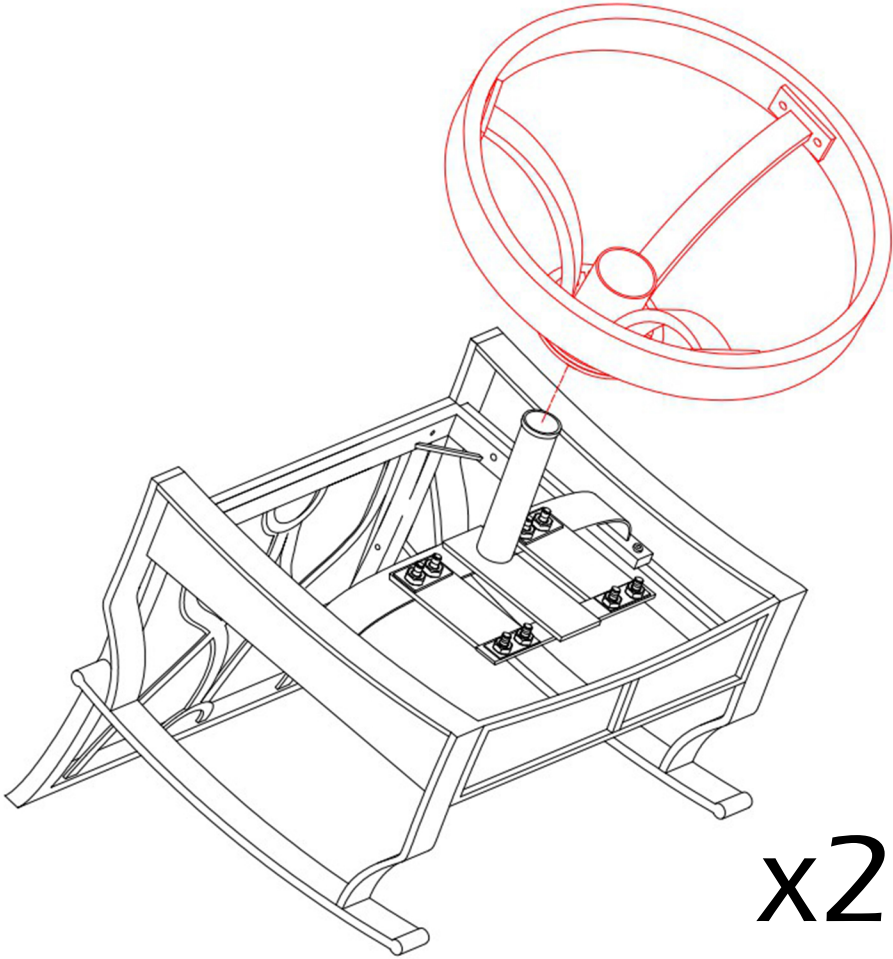
Fix the securing pieces onto the base ring (L) as shown. Add one flat washer (7) on each bolt (3) as shown, then align the bolt holes on both securing pieces and base ring, then use the allen wrench (3) to tighten all bolts by 30%-50% at first, ensuring that all bolts are aligned correctly before tightening all bolts.



x2

step 9

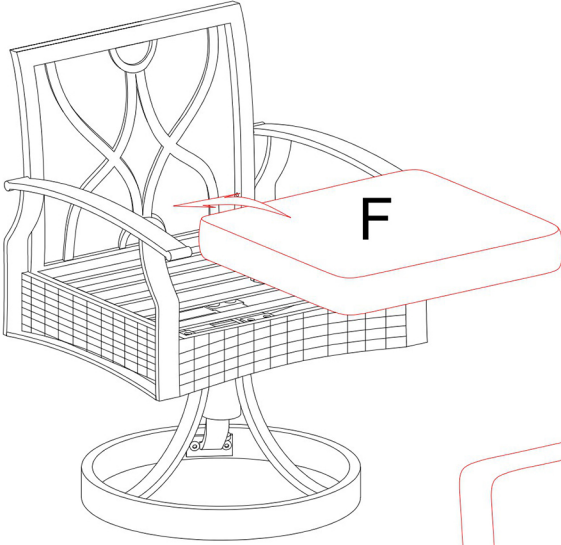
Insert the mechanism into the base ring as shown.



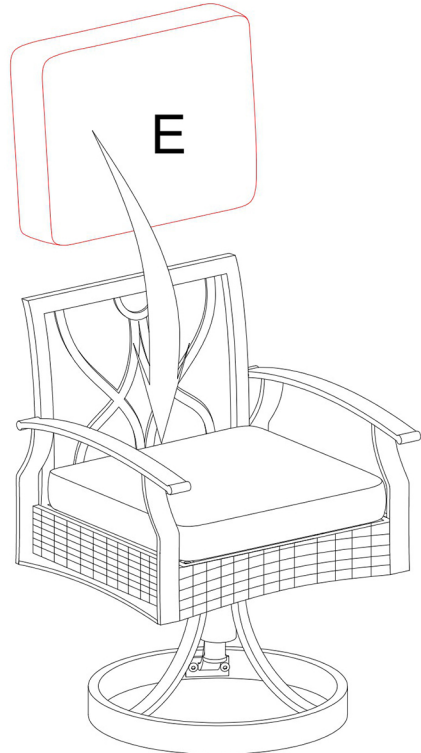
step 10

Place the seat cushion (F) onto the seat frame as shown.

Place the back cushion (E) onto the seat as shown.

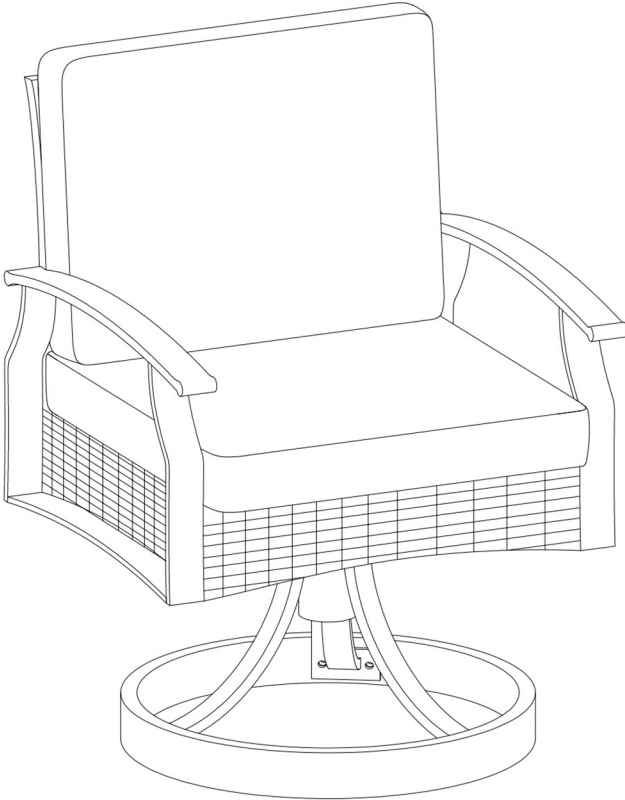


x2



step 11

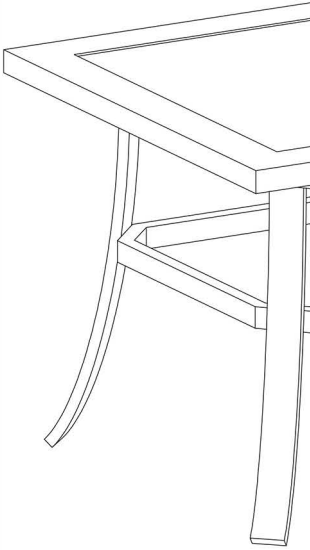
The assembly is completed, thank you for choosing our product, please enjoy!



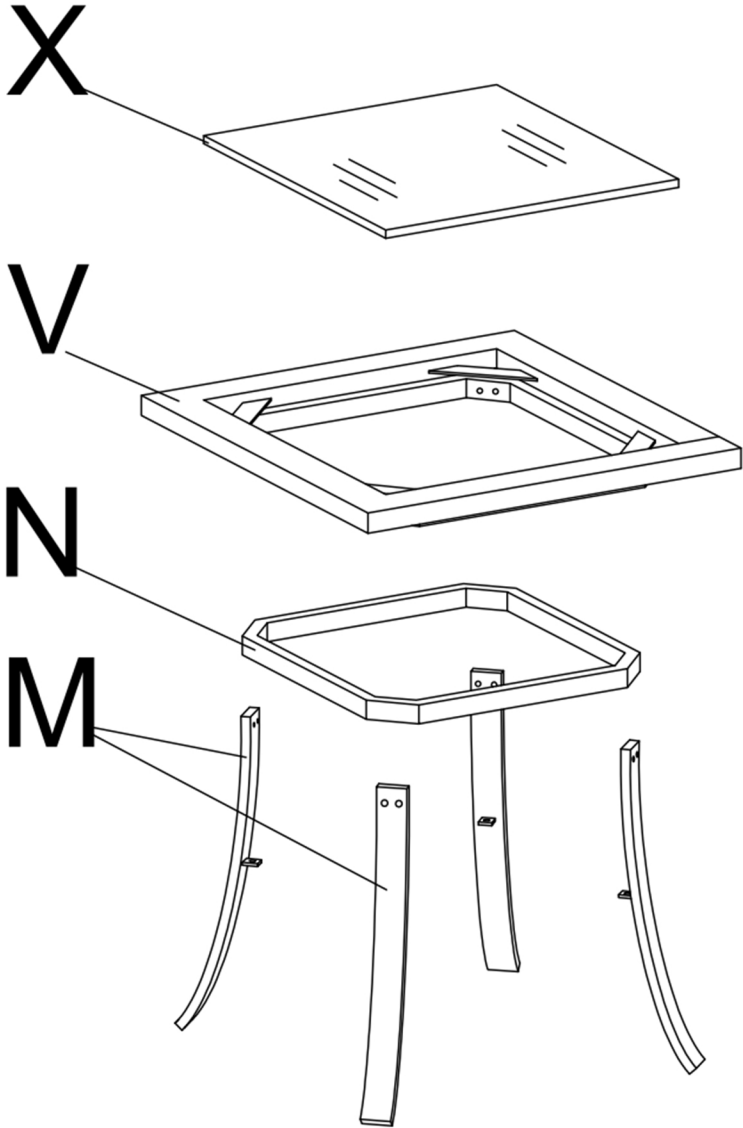
x2

WARRANTY

We strive to offer high-quality product and we also try our best to satisfy each customer that orders from us with product or service as needed. Each customer receives a record of their order, such as the order number or item receipt. For any items that are out of the warranty period, you may still receive replacement parts by purchasing them from our company if they are available.



EXPLODED VIEW



PARTS

V*1

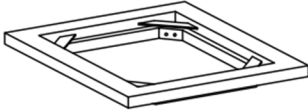
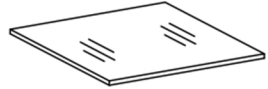


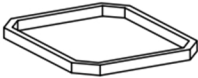
Table frame

X*1



Tabletop

N*1



iron frame

M*4



Legs

HARDWARE

TOOL LIST

NOTE: Designated with (★) We provide additional spare parts in the hardware package

⑩*8



⑪*4



⑦*12



⑧*1



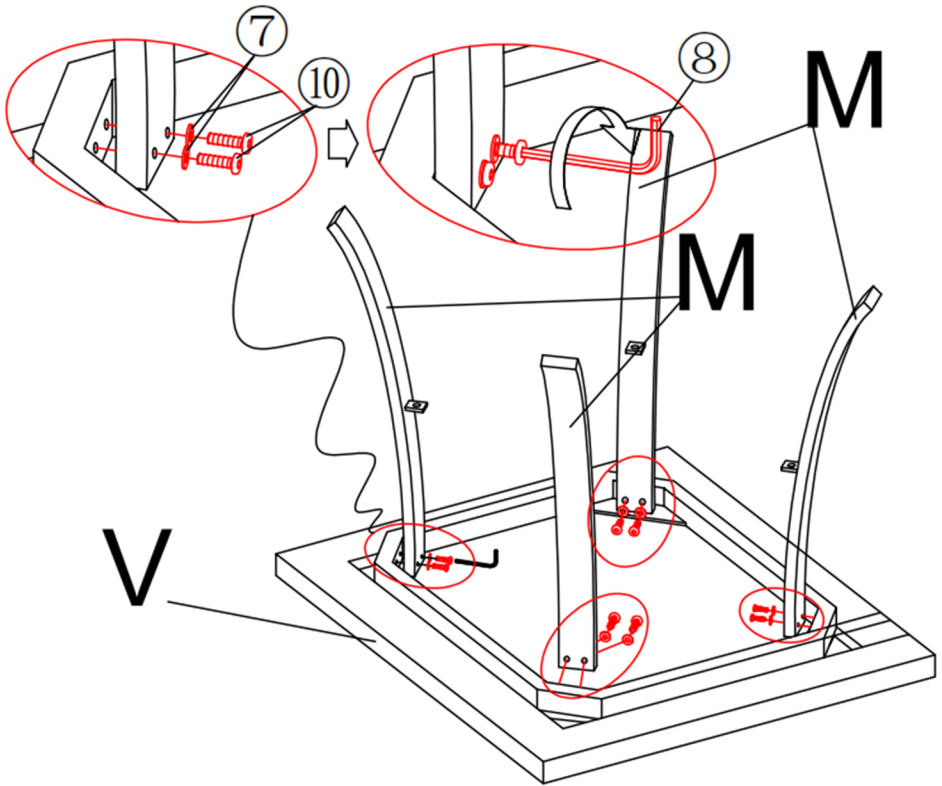
★M6*25mm ★M6*15mm ★Flat washer

Allen key

Please make sure all hardware&packing material fitting the list. Especially some small accessories may be missing during transportation. Please contact us if you have any question.

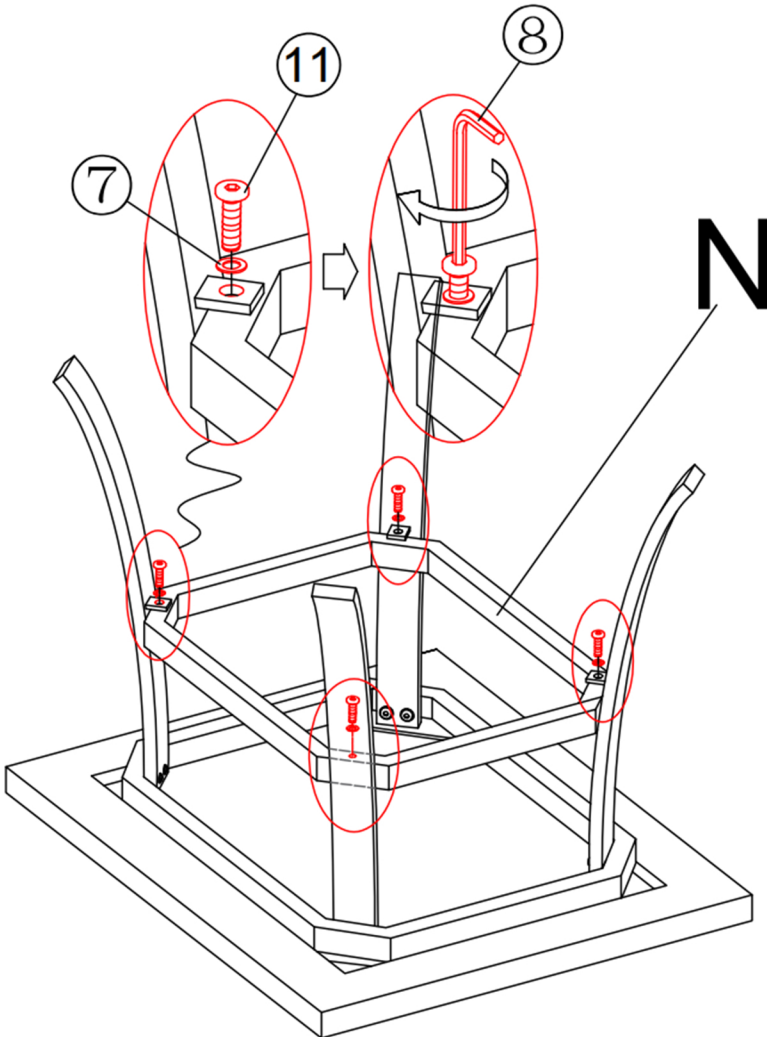
step 1

Install all four legs (M) onto the table frame (V) as shown, Add one washer (7) on each bolt (10) as shown, then align the bolt holes on both legs (M) and table frame (V), then use the allen wrench (8) provided to tighten all bolts by 30%-50% at first, ensuring that all bolts are aligned correctly before tightening all bolts.



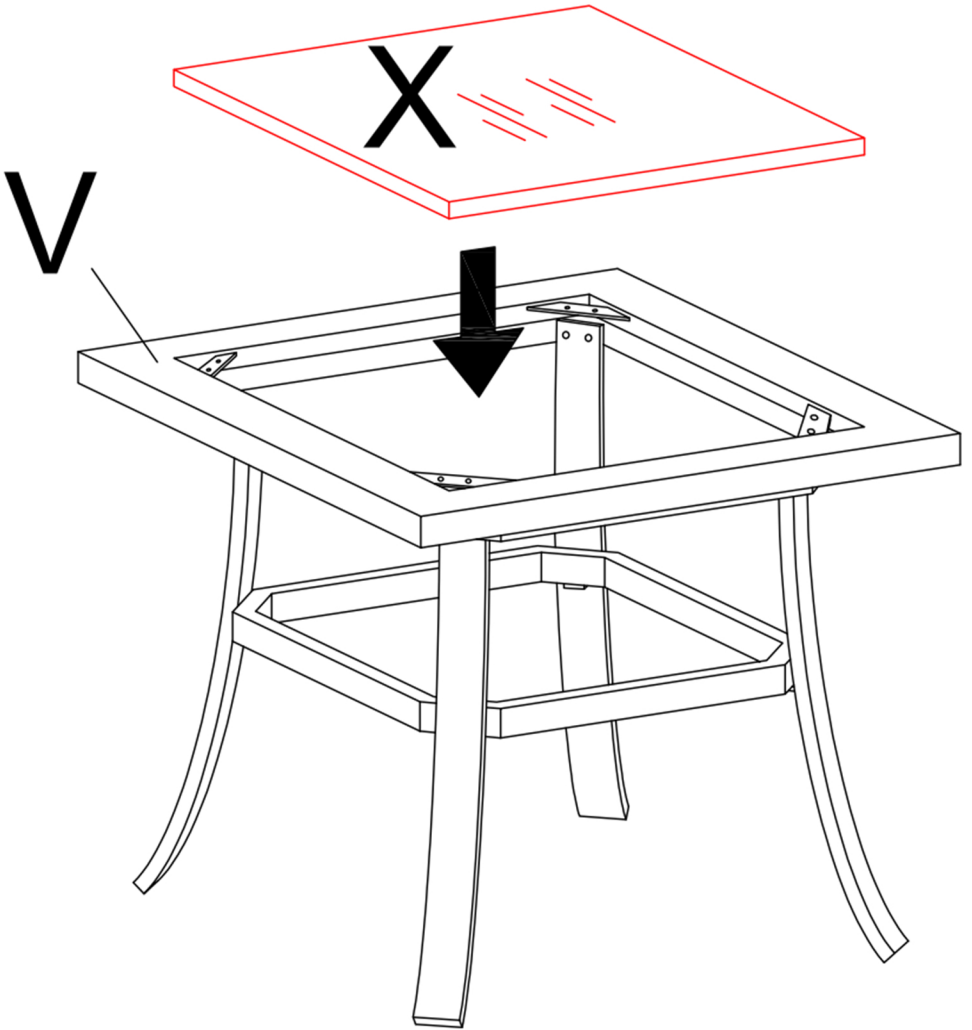
step 2

Install the iron frame (N) onto the legs as shown. Add one washer (7) on each bolt (11) as shown, then align the bolt holes on both iron frame (N) and legs, then use the allen wrench (8) provided to tighten all bolts by 30%-50% at first, ensuring that all bolts are aligned correctly before tightening all bolts.



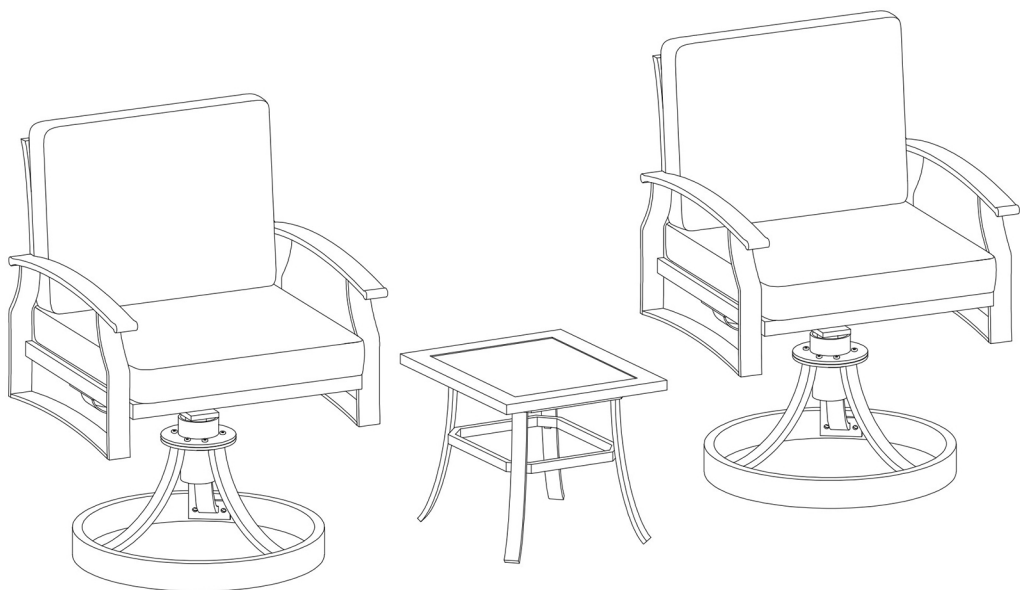
step 3

Place the tabletop (X) onto the table frame as shown, make sure they are aligned correctly.



step 4

The assembly is completed, thank you for choosing our product , please enjoy!



For better user experience, please carefully check all the screws, and make sure they are all fully tightened. (Use the allen wrench to twist each screw until it is fully tightened.)