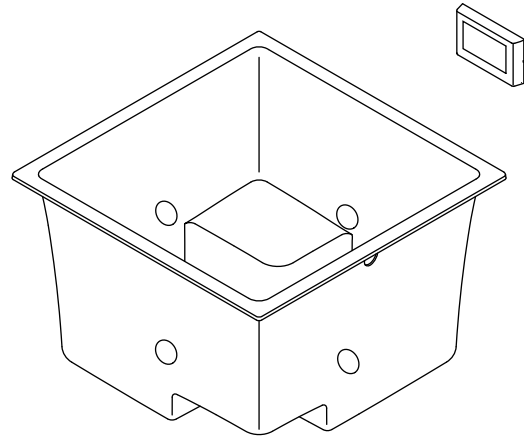


### Features

- Acrylic
- Intuitive high-clarity color touch-screen user interface
- 6 transducers and control amplifier create 3-D surround sound experience
- Under-mount/drop-in style installation
- 27-1/2" (699 mm) soaking depth
- Two raised corner seats, at 6-3/4" (171 mm) and 11-7/8" (302 mm) from bath floor
- Available with chromatherapy [-VBC]
- Chromatherapy model is equipped with 4 lights
- User interface mounting plate is included in color CP
- 48" (1219 mm) x 48" (1219 mm) x 34" (864 mm)

### CUBE VIBRACOUSTIC BATH K-1969-VB ALSO K-1969-VBC



### Codes/Standards Applicable

Specified model meets or exceeds the following:

- CSA B45.5/IAPMO Z124
- UL 1795
- CAN/CSA C22.2 No. 218.2

### Colors/Finishes

- 0: White
- CP: Polished Chrome
- BN: Brushed Nickel
- NA: None applicable
- Other: Refer to Price Book for additional colors/finishes

### Specified Model

Model	Description	Colors/Finishes	
K-1969-VB	Cube VibrAcoustic bath	<input type="checkbox"/> 0	<input type="checkbox"/> Other_____
K-1969-VBC	Cube VibrAcoustic bath with chromatherapy (shown)	<input type="checkbox"/> 0	<input type="checkbox"/> Other_____

Recommended accessories			
K-8150	Cable drain	<input type="checkbox"/> NA	
K-8134	Cable drain trim kit		<input type="checkbox"/> CP <input type="checkbox"/> Other_____

Optional Accessories			
K-578	Under-mount kit		<input type="checkbox"/> NA
1172315	VibrAcoustic interface mounting plate		<input type="checkbox"/> BN

### Product Specification

The acrylic cube vibracoustic bath shall be 48" (1219 mm) in length, 48" (1219 mm) in width, and 34" (864 mm) in height. Bath shall feature intuitive high-clarity color touch-screen user interface and 6 transducers and control amplifier, which create 3-D surround sound experience. Bath shall be available with chromatherapy [-VBC], which is equipped with 4 lights. Bath shall be available with under-mount or drop-in style installation. Bath shall have a 27-1/2" (699 mm) soaking depth. Bath shall have two raised corner seats, at 6-3/4" (171 mm) and 11-7/8" (302 mm) from bath floor. The user interface mounting plate shall be included in color CP. Bath shall be Kohler Model K-1969-\_\_\_\_-\_\_\_\_.

# UNDERScore®

## Technical Information

Fixture*:	
Bathing well:	
Basin area, bottom	39-3/8" (1000 mm) x 39-3/8" (1000 mm)
Basin area, top	44-5/8" (1134 mm) x 44-5/8" (1134 mm)
Weight	115 lbs (52.2 kg)
To overflow:	
Water depth	27-1/2" (699 mm)
Capacity	171 gal (647.3 L)
* Approximate measurements for comparison only.	
Drop-in cut-out	47" (1194 mm) x 47" (1194 mm)
Amplifier/control:	Power per channel (rms) W    V    Hz
	15                                    120    50/60

## Required Electrical Service

Dedicated circuit required, protected with Class A Ground-Fault Circuit-Interrupter (GFCI) or Residual Current Device (RCD):

Amplifier/control: 120 V, 15 A, 50/60 Hz

## Installation Notes

Install this product according to the installation guide.

The bath is intended for under-mount/drop-in installation.

Control amplifier fits 16" (406 mm) center studs.

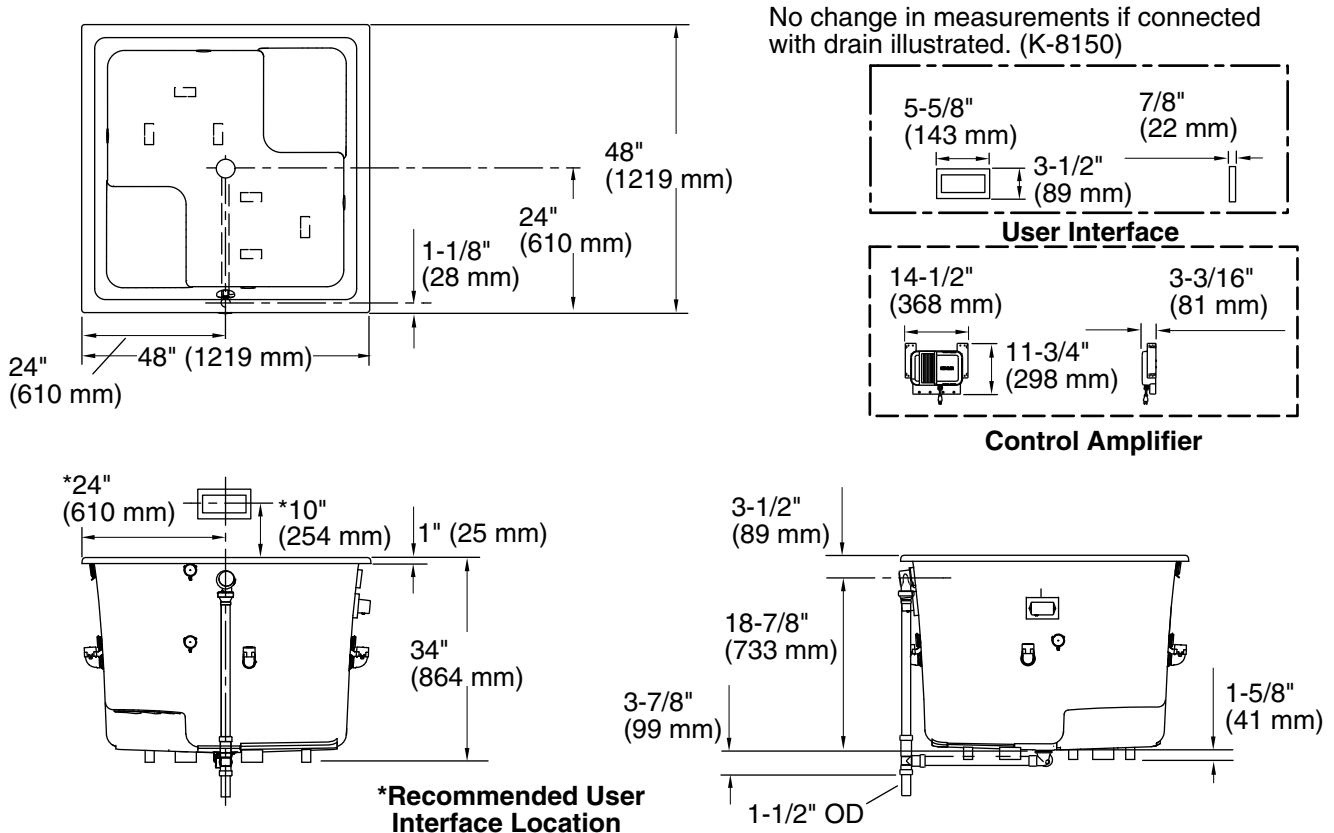
A grounded outlet within the wall framing must be within 24" (610 mm) of the planned control amplifier.

Cables are included, 25' (7.6 m) each.

Hot water supply should be 70% of capacity or greater. Installations will vary.

Floor support under bath must provide for a minimum of 97.9 lbs/square foot (478.2 kg/square meter) loading.

Ensure the bath, user interface, amplifier, and transducers are functional before completing the installation.



## Product Diagram