

senelux

INSTRUCTION MANUAL

Air Circulator Fan



Scan this QR code for instant access to:



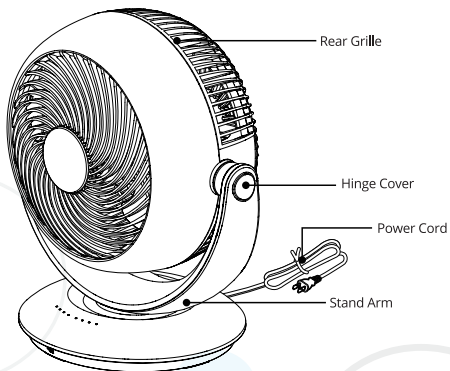
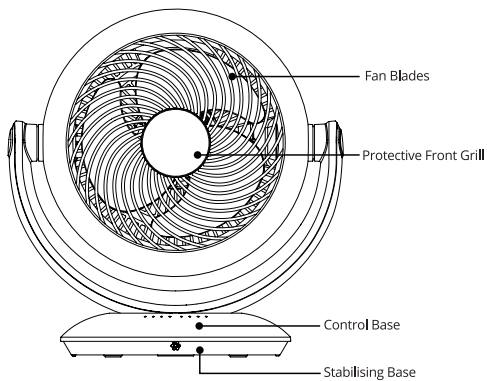
- The latest digital user manual
- Installation guide videos
- Warranty registration

Model: XD-1888FA
ENGLISH

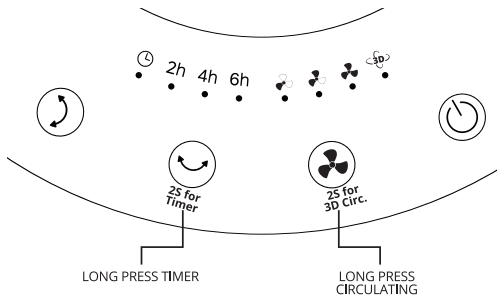
TABLE OF CONTENTS

| | | |
|-------|--------------------------------|----|
| i. | Parts Introduction | 02 |
| ii. | Key Operation Instructions | 03 |
| iii. | Remote Control | 05 |
| iv. | Precaution & Caution | 05 |
| v. | Cleaning And Maintenance | 08 |
| vi. | Protective Grille Instructions | 09 |
| vii. | Product Specifications | 10 |
| viii. | Warranty | 10 |
| ix. | Information | 10 |

1. PARTS INTRODUCTION



2. KEY OPERATION INSTRUCTIONS



Function Description



1. Plug in the fan to enter standby mode. Press the ON/OFF button to turn on the fan. Upon first use, the fan will automatically start in Circulation Mode. For subsequent uses, the fan will resume the last settings used before it was switched off.
2. While the fan is operating, press the ON/OFF button again to turn it off.



1. Adjusting Wind Speed: When the fan is powered on, short press the button to cycle through wind speeds: 1 -> 2 -> 3 -> 1... The corresponding speed indicator will light up to show the selected speed.
2. Switching Fan Modes: When the fan is powered on, long press the button to cycle through fan modes: Normal Wind -> Air Circulation Mode -> Normal Wind... The corresponding mode indicator will light up to indicate the active mode.
3. Air Circulation Mode: In this mode, the fan operates at maximum airflow with automatic oscillation both vertically (up/down) and horizontally (left/right).
4. Mode Selection Behaviour: When switching fan modes, only the fan mode changes; the wind speed remains unchanged.



1. Controlling Left/Right Oscillation: While the fan is running, short press to turn the left/right oscillation on or off. Oscillation settings are automatically reset after an uninterrupted power standby state.
2. Setting the Timer
 - Power-Off Timer: Long press to schedule the fan to turn off while operating.
 - Power-On Timer: Long press to schedule the fan to turn on during standby mode.
3. Adjusting the Timer
 - In the scheduled power-on or power-off state, set the timer duration by short or long pressing the button. The cycle is as follows:
2h -> 4h -> 6h -> 8h -> 10h -> 12h -> Off -> 2h...
 - The corresponding indicator light will illuminate based on the selected time, with a maximum setting of 12 hours.
4. Oscillation in Circulating Mode: In circulating mode, short press the left/right oscillation button to cancel the oscillation. This will switch back to the normal wind mode.










While the fan is operating, press this button to toggle the up/down oscillation on or off.

3. REMOTE CONTROL

⚠ NOTE

- Remove the insulation strip from the remote control before use.
- Batteries contain heavy metals and chemicals that can be harmful to human health. Please dispose of waste batteries responsibly by classifying and recycling them according to local regulations



| Function | Function Description |
|---|------------------------------------|
|  | On/ Off |
|  | Circulation Mode/ Wind Mode |
|  | Timer |
|  | Oscillation left and right |
|  | Oscillation up and down |
|  | Control panel buzzer sound on/ off |
|  | Wind speed adjustment |

4. PRECAUTION & CAUTION

1. Before Use:
 - Read this manual carefully before first use and keep it for future reference.
 - Ensure your AC power supply matches the product's requirements.
 - Use the appliance only on a stable, dry surface.

2. Safe Operation:
 - Do not use the fan near windows or curtains to avoid electric shock or entanglement.
 - Keep fingers and objects away from the grille while the fan is operating.
 - Disconnect the plug from the power supply before cleaning, moving, or disassembling.
 - Stop using the appliance immediately if the power cord, plug, or fan blade is damaged.
3. For Children and Vulnerable Individuals:
 - This appliance is not suitable for children under 8 years old, persons with disabilities, or those with limited experience unless supervised.
 - Children must not play with the appliance, power cord, or accessories.
 - Cleaning and maintenance should not be performed by children unless supervised.
4. Fire and Water Safety:
 - Keep the appliance away from fire, flammable materials, and heating appliances.
 - Do not immerse the appliance, power cord, or plug in water.
 - Ensure the product is not exposed to high temperatures, humidity, or direct sunlight.
5. Placement Guidelines:
 - Place the appliance on a flat, stable surface, away from walls or other appliances. Maintain at least 30 cm of free space on all sides.
 - Avoid placing the fan on carpets, non-heat-resistant surfaces, or near sources of water.
6. Operation Precautions:
 - Do not manually force oscillation; use the automatic left/right, up/down oscillation feature as instructed in this manual.
 - Avoid tilting, flipping, or using the appliance in unstable environments.
 - Do not cover the appliance with clothes, towels, or any objects.

7. Electrical Safety:
 - Do not operate the appliance if the plug, cord, or unit is damaged. Contact the seller for repairs.
 - Avoid pressing, bending, or pulling the power cord, and keep it away from hot surfaces.
 - Do not connect the appliance to an external timer or shared power source to prevent overload.
 - Unplug the appliance when not in use, when leaving the house, or if not used for an extended period.
8. Operating Environment:
 - Do not use the fan in humid areas such as bathrooms or places prone to splashing water.
 - Avoid operating the appliance in sealed spaces, as it may reduce oxygen levels.
 - Ensure the area is free from dust, water splashes, or high humidity.
9. Handling Abnormalities:
 - Stop using the appliance and unplug it immediately if you notice odours, smoke, abnormal sounds, or overheating.
 - If malfunctions occur, unplug the appliance and contact the seller.
10. General Precautions:
 - Do not climb, sit on, or place heavy objects on the appliance.
 - Avoid inserting hands or objects into the safety net during operation.
 - Always hold the back handle firmly when moving the fan.
 - Stop using the appliance and unplug it if abnormalities or problems arise.
11. Manufacturer's Disclaimer:
 - This appliance is designed for indoor household use only.
 - The company is not responsible for harm caused by improper use or operation.

5. CLEANING AND MAINTENANCE

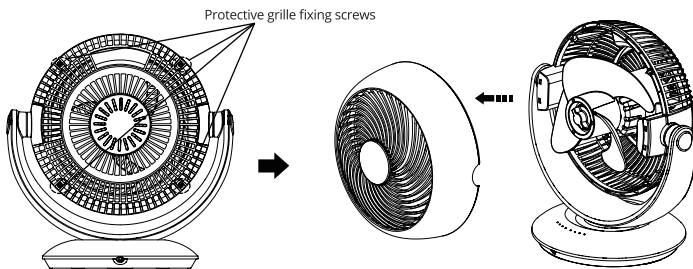
1. Disconnect the fan from the main power supply before cleaning and ensure the fan blades have completely stopped.
2. Do not immerse the fan, power cord, or plug in water, and avoid rinsing with water during cleaning.
3. Avoid using detergents, alcohol, gasoline, or other organic solvents to clean the fan.
4. Remove the front grille carefully before starting the cleaning process.
5. Use a vacuum cleaner to remove dust from the front grille and rear grille.
6. For the front grille, rear grille, fan blades, base, and fan head, use a soft, slightly damp cloth to wipe them clean. Dry all parts thoroughly with a soft, dry cloth.
7. Gently clean the power cord using a soft, dry cloth.
8. Ensure no water enters the motor or internal parts of the fan while cleaning.
9. Reinstall the front grille securely and ensure the entire fan is completely dry before use.

6. PROTECTIVE GRILLE INSTRUCTIONS

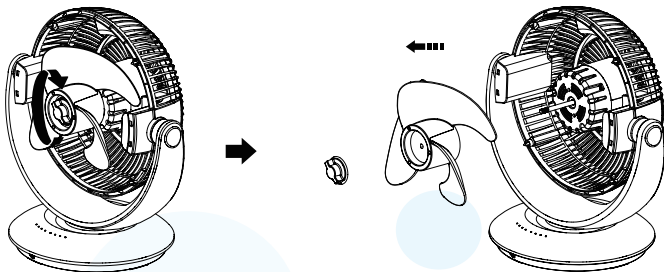
NOTE

Disconnect the fan from socket before installing or removing the protective grille.

1. Use a Phillips screwdriver to loosen and remove the fixing screws on the protective grille, then carefully remove the front protective grille.



2. Grasp the fan blade securely by hand. Rotate the fixing nut clockwise until it loosens. Remove the fixing nut and then carefully detach the fan blade.



7. PRODUCT SPECIFICATIONS

| | |
|-----------------------------|----------------------------------|
| Model | XD-1888FA |
| Rated Voltage | 220-240V 50-60Hz |
| Rated Power | 35W |
| Oscillating Function | Auto 90° vertical and horizontal |
| Speed Level | 3 |
| Product Dimensions | 32.1 x 22.2 x 33.3cm |
| Product Weight | 1.9kg |

8. WARRANTY

All Senelux products come with an 18-month warranty from the original date of purchase. To activate your warranty and secure protection for your products, please register within 30 days of purchase by visiting www.senelux.co.uk. For extended coverage, additional protection plans are also available on our website.

If you encounter any manufacturing defects, please contact our customer service team at support@senelux.co.uk. Be sure to include your order number, product serial number, and any relevant details regarding your issue. For further assistance, FAQs and helpful guides for all our products are available on our website and YouTube channel.

Please note: Any unauthorised repairs will void the warranty.

9. INFORMATION

For further information about using this product or any of our other products, please feel free to contact us using the details provided below.

Senelux U.K. Limited
 Unit 9 Wareing Road
 Liverpool, L9 7AU
 United Kingdom
 Email - info@senelux.co.uk
 Website - www.senelux.co.uk

European Representative
 Company: Luxus Lebenswelt GmbH
 Address: Kochstr.1,47877, Willich, Germany
 E-mail: luxuslvc@hotmail.com



Be sure to tag us in your photos on social media using #seneluxathome to be featured



Thank you very much for using our products.
 Please read the user manual carefully before use and keep it for future reference.