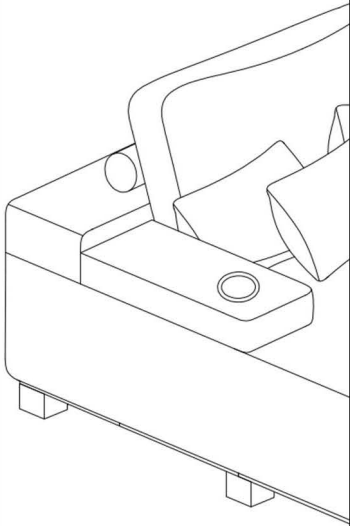


Owner Manual



WARRANTY

We strive to offer high quality product and we also try our best to satisfy each customer that order from us, no matter on products or services as needed. Each customer receives a record of their order, such as the order number or item receipt. For any items that are out of warranty period, you may still be able to purchase the replacement parts from our company if they are available.



MAINTENANCE AND WARNING

Please read the manual thoroughly
before you start installing.

Please keep the product away from
sharp object.

Packaging and small parts may have
chocking hazard, please keep them away
from children and pets.

Please clean the product according to each
clean code, check the product description
for more information.

Please keep the product away from
fire.

If you have any other questions, please
contact us, we will be glad to help you out.

If the product is placed under direct
sunlight, the pattern or color might fade
away overtime.

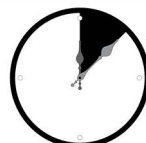
Check the product periodically to make
sure everything is secured and tightened.

Always use proper tools for installation.

Do not jump on the product.



Two people



Around 35 min

PRODUCT DESCRIPTION

Fur-Like Flannel Upholstery – Luxurious cotton flannel with a soft, fur-like texture that's warm to the touch and gentle on the skin.

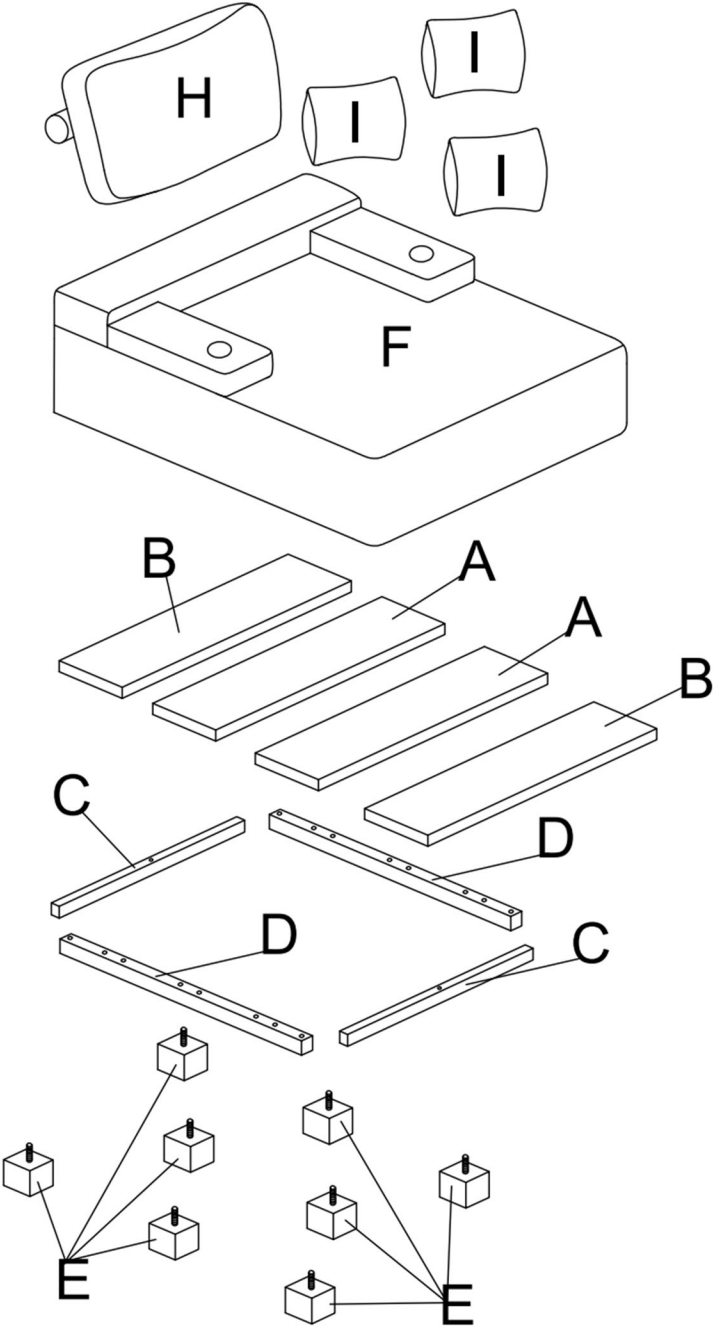
Expanded Seating Space – Oversized full-foam construction reinforced by a high-resilience spring package for consistent comfort.

Ergonomic Armrests – Balanced height armrests on both sides with dual cup holders for added convenience.

Complete Cushion Set – Includes three matching throw pillows made from the same fur-like fabric for cohesive comfort.

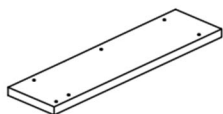
Solid Wood Foundation – Elevated hardwood base and sturdy wood legs connected with Velcro for easy assembly and secure stability.

EXPLODED VIEW



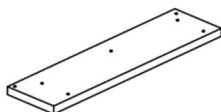
PARTS

A*2



Middle Boards

B*2



Side Boards

C*2



Short Side Frames

D*2



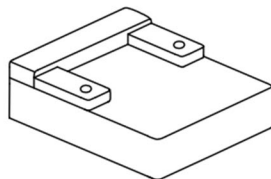
Long Side Frames

E*8



Legs

F*1



Compressed Sofa
(hide in air compression bags)

G*2



Cup Holder

H*1



Back cushion
(hide in air
compression bags)

I*3



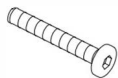
Pillows
(hide in air compression bags)

HARDWARE

TOOL LIST

NOTE: Designated with (★) We provide additional spare parts in the hardware package

①*18



★ Bolts

②*18



★ Flat washer

③*1

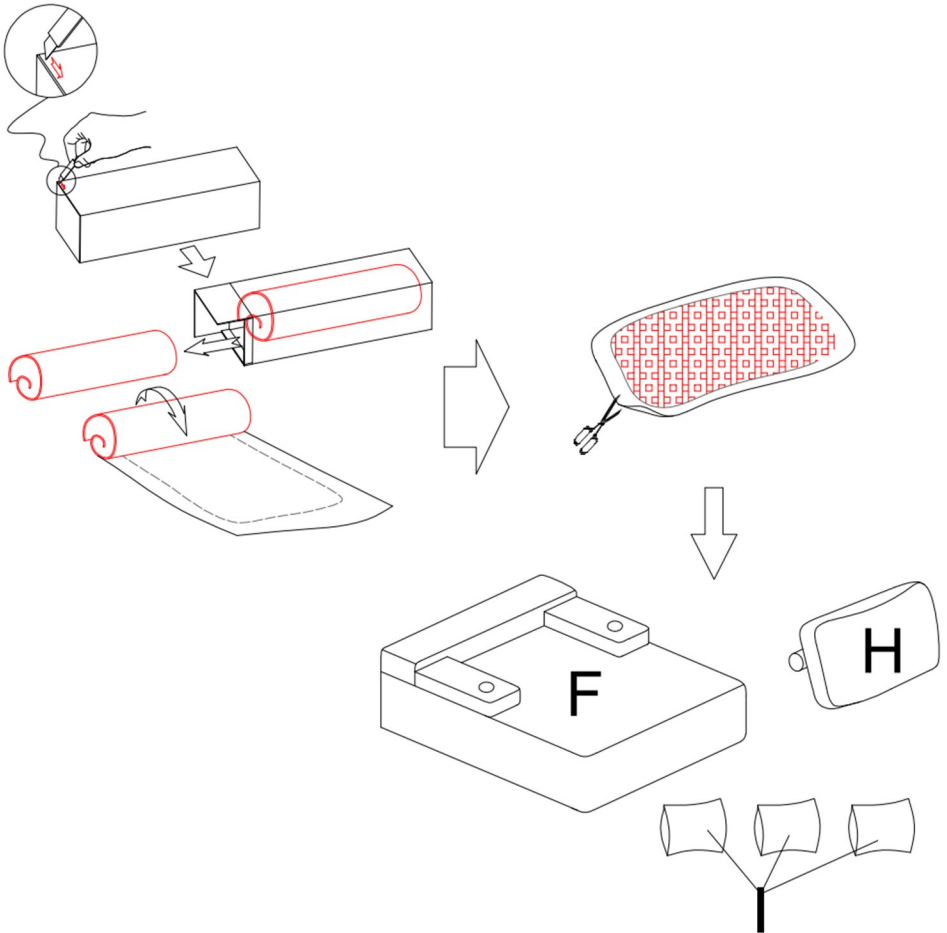


Allen key

Please make sure all hardware & packing material fitting the list. Especially some small accessories may be missing during transportation. Please contact us if you have any question.

step 1 ---Remove from Box

Take out the roll of compressed product from the box.
Cut open the compression bag along the paper strip on the roll bag.
Remove the sofa and let them rest to recover their shape.
Full recovery may take up to **72** hours, but you can gently slap the sofa to speed up the process.

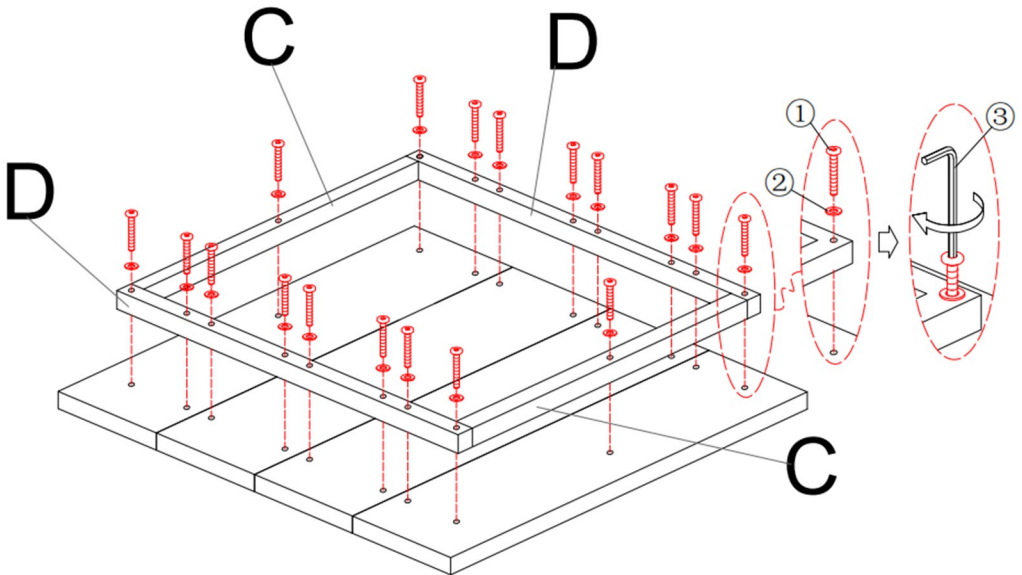


step 2 ---Bottom Board

According to the diagram, fix the short side frames and long side frames to the middle boards and side boards. Use the allen wrench (3) provided to fix all the bolts and washers.

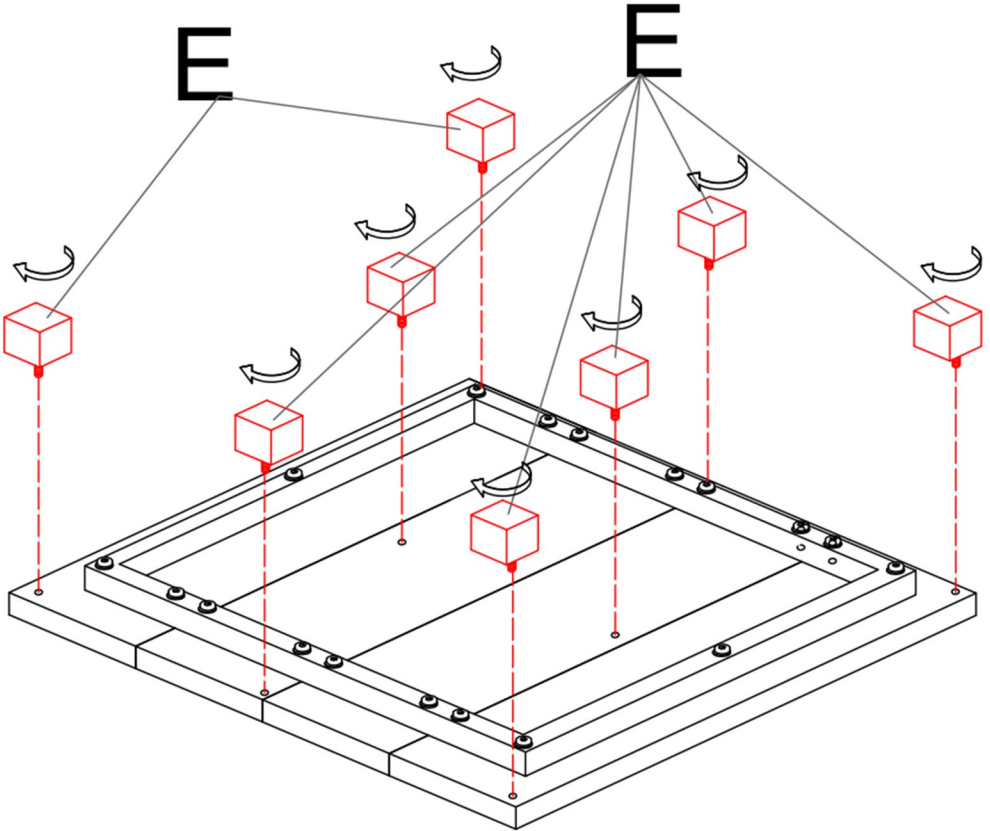


First add one flat washer on each bolt as shown, use the allen wrench provided to tighten all the bolts by 30-50% first, make sure that all bolts are aligned correctly before fully tightening.



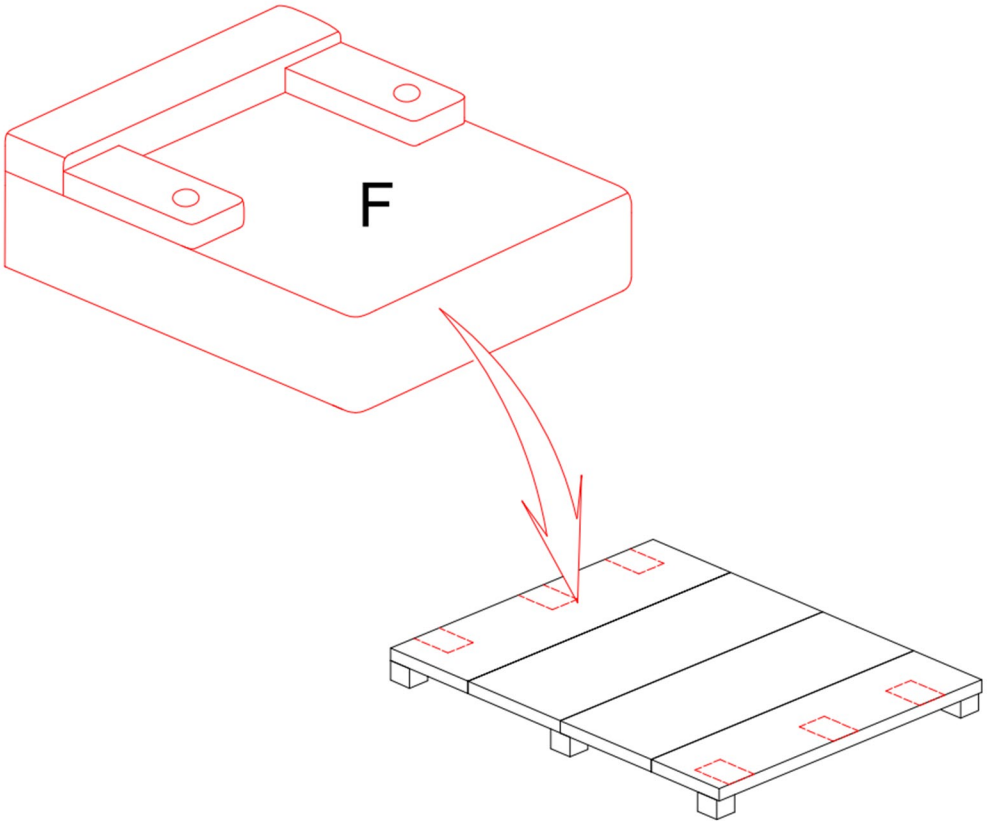
step 3 ---Install Legs

Screw the legs clockwise to the pre-drilled holes on the bottom board as shown.



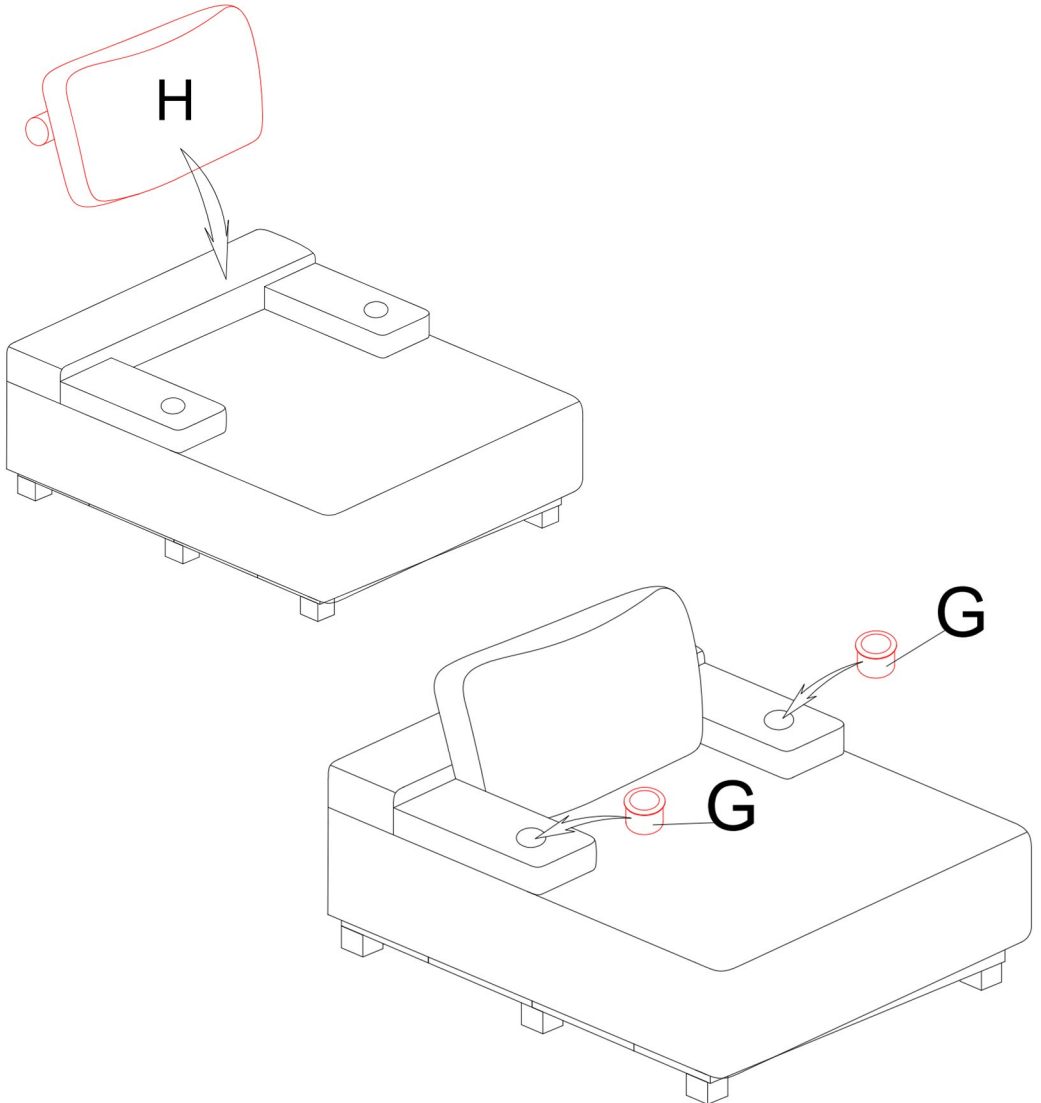
step 4 ---Chaise Placement:

Place the chaise onto the bottom board as shown, make sure the Velcro tapes underneath are aligned correctly.



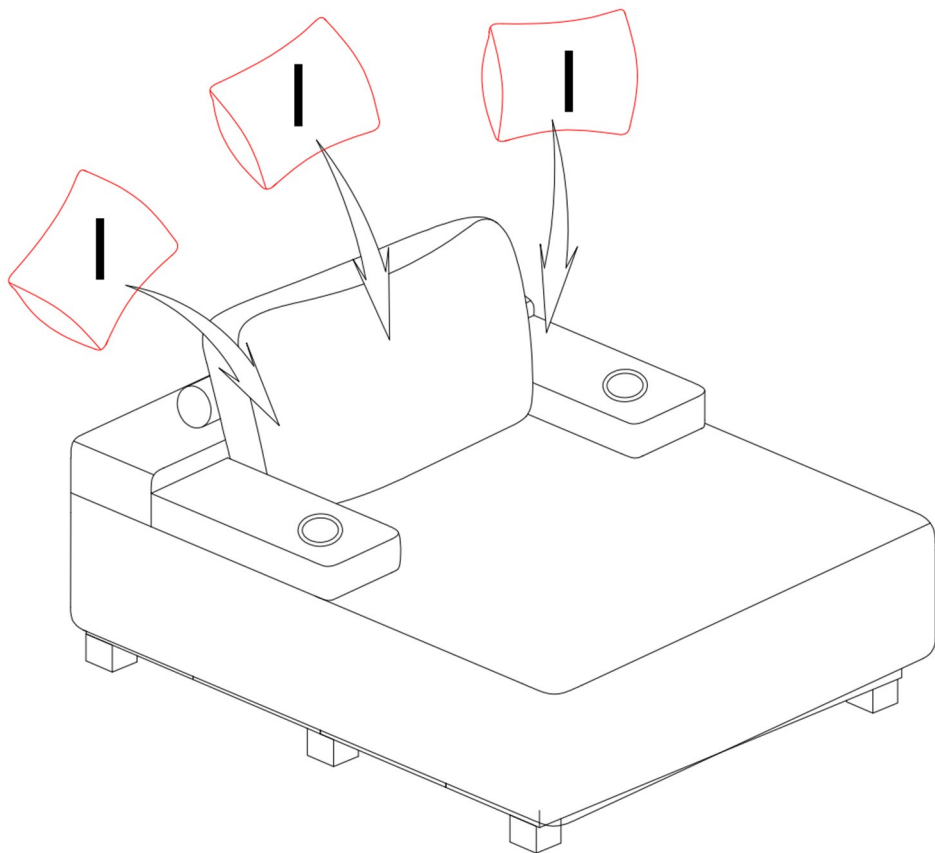
step 5 ---Cushion and Cup Holders

Place the back cushion onto the chair, and place the cup holders on both armrests as shown.



step 6 ---Final Preparation:

Place the throw pillows onto the chaise as shown.



step 7

Congratulations, the assembly is complete! Thank you again for choosing our product! Please enjoy!

