

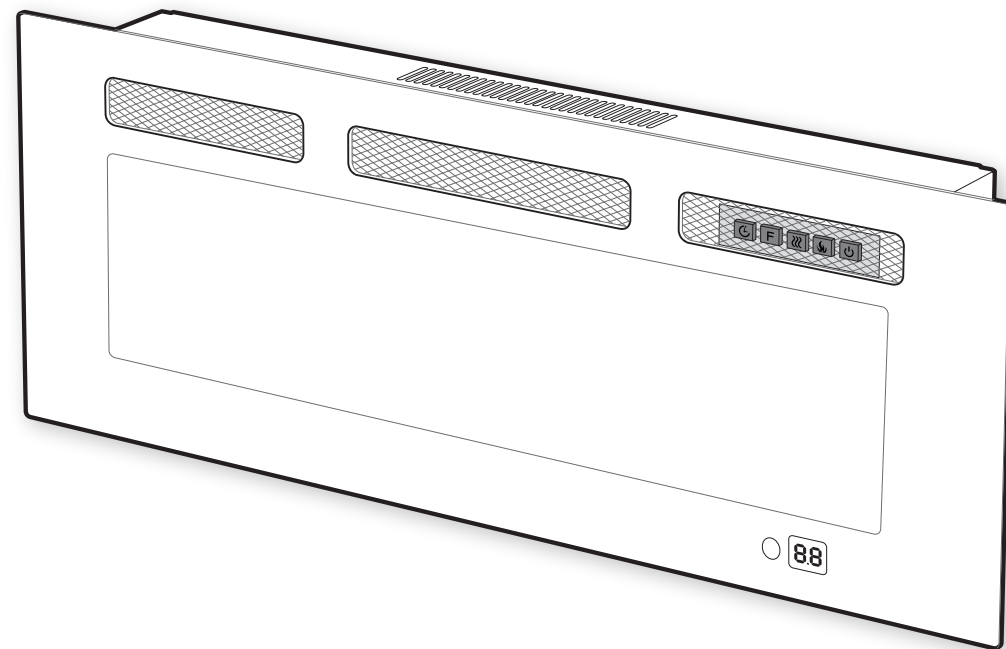
Get in Touch?

✉ support@servicetimely.com

36" ELECTRIC FIREPLACE

Model: IF-36FSB
SKU: JPSY01VA25N0324B

USER MANUAL



Manufacturer: Shenzhen Guiyang Network Technology Co., Ltd
Address: 1404K3, East Block, Shengtang Commercial Building, Futian District, Shenzhen, China
Made in China Rev_1.0_EN



**24/7
Service**

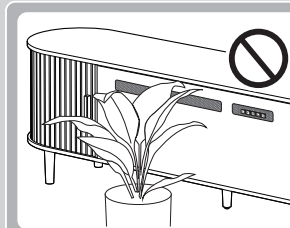
Any other questions, contact us via **email: support@servicetimely.com** We provide 24/7 online service with dedicated one-on-one expert support for all your inquiries.

IMPORTANT SAFETY INSTRUCTIONS

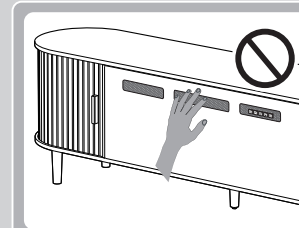


READ ALL INSTRUCTIONS BEFORE USE AND SAVE FOR FUTURE REFERENCE

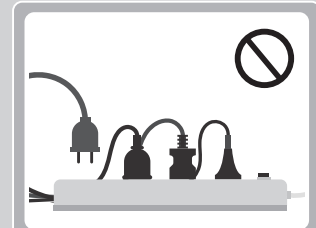
When using an electrical appliance, basic safety precautions should always be followed to reduce the risk of fire, electric shock, and/or injury to persons including the following:



DO NOT cover or block the air inlets or outlets in any manner.



This fireplace is hot when in use. To avoid burns, **DO NOT** let bare skin touch hot surfaces.



Always plug directly into a wall outlet/receptacle. Never use with an extension cord or relocatable power tap.

INTENDED USE

- ◆ This appliance is not intended for use by persons (including children) with reduced physical, sensory or mental capabilities, or lack of experience and knowledge, unless they have been given supervision or instruction concerning the use of the appliance by person responsible for their safety.
- ◆ Close supervision is necessary when any appliance is used by or near children. Children should be supervised to ensure that they do not play with the appliance. Cleaning and user maintenance shall not be done by children unless they are older than 8 and supervised. Keep the appliance and its cord out of reach of children.
- ◆ This fireplace is not intended for use in bathrooms, laundry areas and similar indoor locations. Do not use this fireplace in the immediate surroundings of a bath, a shower or a swimming pool.
- ◆ Use this fireplace only for intended purposes as described in this User Manual. Any other use not recommended by the manufacturer may cause fire, electric shock, or injury to persons.

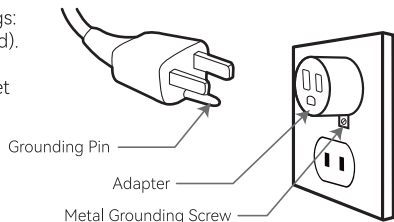
ELECTRICITY SAFETY

- ◆ Connect to a properly grounded outlet only.
- ◆ This appliance must be provided with correct voltage via a professionally installed power socket. Make sure the voltage indicated on the label of the appliance is the same as your local supply.
- ◆ **DO NOT** use the fireplace with a damaged cord or plug. Do not use if it is dropped or has visible signs of damage. Discard fireplace, or return to authorized service facility for examination and/or repair.
- ◆ If the supply cord is damaged, it must be replaced by the manufacturer, its service agent or similarly qualified persons.
- ◆ This fireplace draws up to 1500W of power. To prevent overloading of the electrical circuit, do not plug into a circuit with other appliances already connected.

◆ ALWAYS check the cord and plug connections with each use.

- Make sure the plug fits tight in the outlet. Faulty wall outlet connections or loose plugs can cause the outlet to overheat.
- Fireplace draws more current than small appliances. Overheating may occur even if it has not occurred with the use of other appliances.
- During use, check frequently to see if the plug outlet or faceplate is HOT!
- If the outlet or faceplate is HOT, discontinue use immediately and have a qualified electrician inspect and/or replace the faulty outlets.

◆ The power cord supplied with the fireplace has three prongs: two flat blades (live and neutral) and one round pin (ground). If a 3-slot receptacle is not available, an adapter MUST be used. The adapter MUST be properly grounded to the outlet box. (NOTE: Adapter NOT INCLUDED).



RELATED TO USE

- ◆ **DO NOT** attempt to disassemble, repair, modify or replace any part of the appliance. No user serviceable parts inside. All servicing should be performed by qualified personnel only.
- ◆ **DO NOT** run cord under carpeting. Do not cover cord with throw rugs, runners, or similar coverings. Do not route cord under furniture or appliances. Arrange cord away from traffic areas and where it will not be tripped over.
- ◆ A fireplace has hot or arcing or sparking parts inside. **DO NOT** use it in areas where gasoline, paint or flammable liquids are used or stored.
- ◆ To reduce the risk of fire, keep textiles, curtains, or any other flammable material a minimum distance of 3 feet (0.9 meter) from the air outlet.
- ◆ To prevent a possible fire, do not block air intakes or exhaust in any manner. Do not use on soft surfaces, like a bed, where openings may become blocked.
- ◆ **DO NOT** touch or hold the mains plug with wet hands.
- ◆ **DO NOT** insert or allow foreign objects to enter any ventilation or exhaust opening as this may cause electric shock, fire or damage to the fireplace.
- ◆ **DO NOT** leave the fireplace running unattended in a confined space around infants, or individuals with reduced physical, sensory, or mental capabilities.
- ◆ Always store the fireplace in a dry location. NEVER use the fireplace if it has become wet.
- ◆ Always mount to wall bracket before use. **DO NOT** set on the floor, or other surface.
- ◆ Use only the wall mount bracket from or specified by the manufacturer.
- ◆ This product is not intended to be a primary heat source. It is for supplemental heat only.
- ◆ Indoor use only. NEVER use this fireplace outdoors. Doing so may result in electric shock.
- ◆ Always unplug before cleaning, making any repairs or servicing, or whenever not in use. To disconnect the fireplace, turn it off, then remove the plug from the outlet.
- ◆ Regularly inspect all air vents to make sure they are free from dust, lint, or other Blockage. Unplug the unit and clean with a vacuum only. **DO NOT** rinse or get wet.

SAVE THESE INSTRUCTIONS

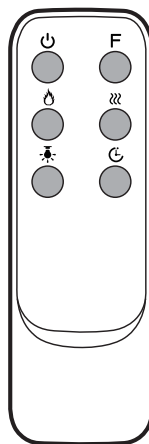
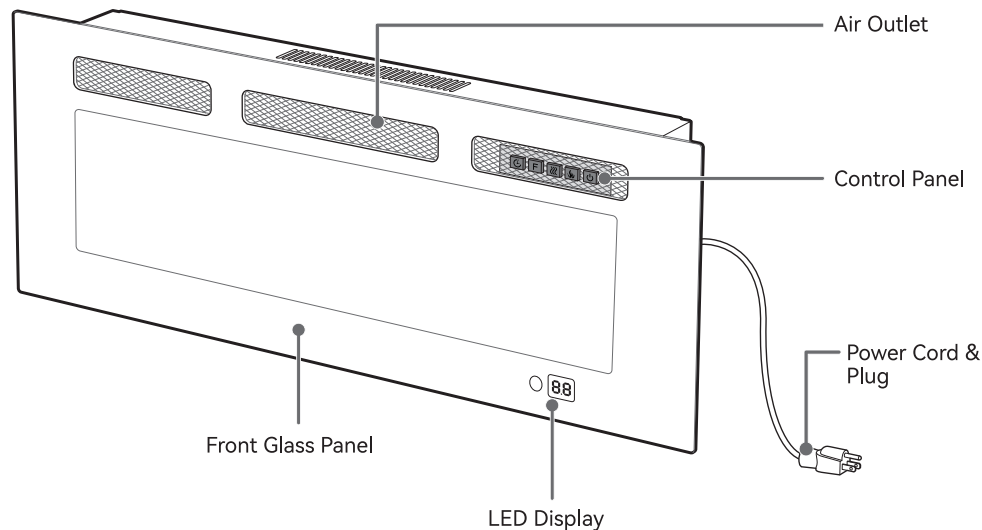
Specifications

Voltage	120V~ 60Hz
Power	1500W
Remote Control Battery	2 x AAA batteries (not included)

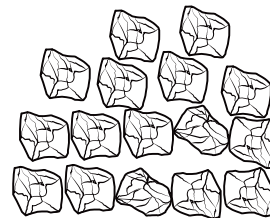
IN THE BOX



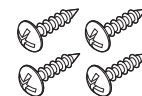
Check if all parts and accessories are included. Contact us via **email:** support@servicetimely.com if there is any part missing or damaged.



Remote Control
(Battery not included)



Decorative Crystals
x1 Bag



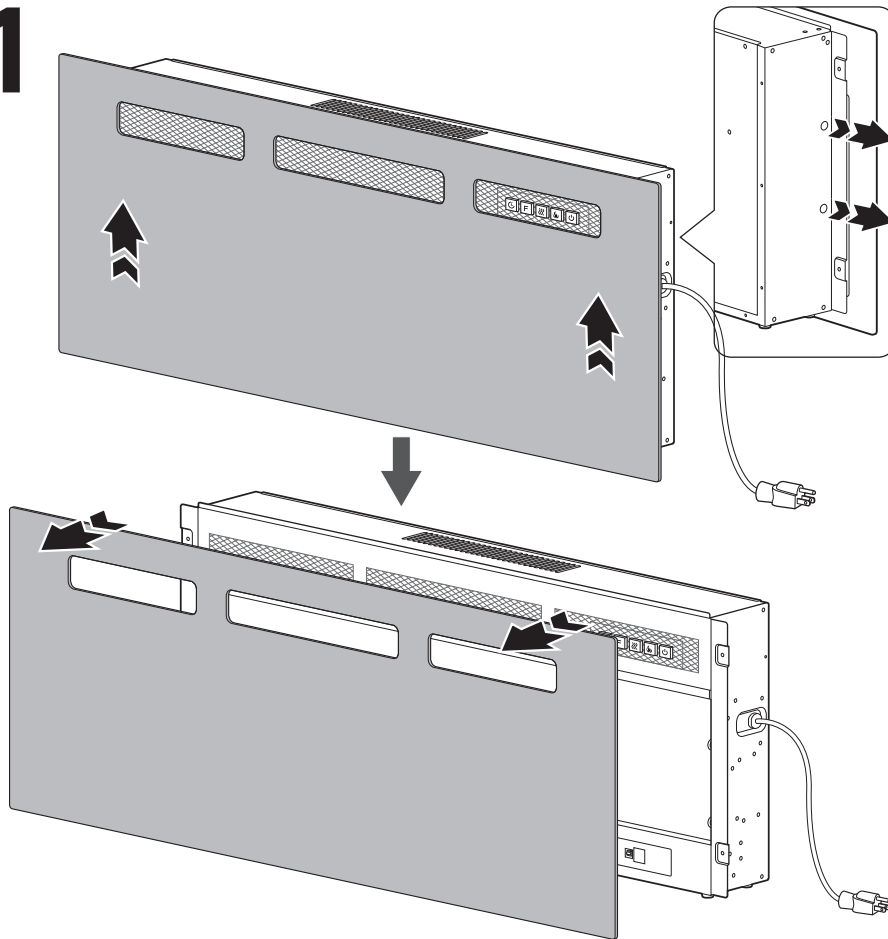
ST4*12 Screw x4

ASSEMBLING ELECTRIC FIREPLACE



- This fireplace is a recessed and/or mantel installed appliance. Select a suitable location that is not susceptible to moisture and is away from drapes, furniture and high traffic areas.
- Follow all National and local electrical codes. DO NOT connect the fireplace to electric outlet until properly installed.
- We recommend at least 2 people for the assembly.

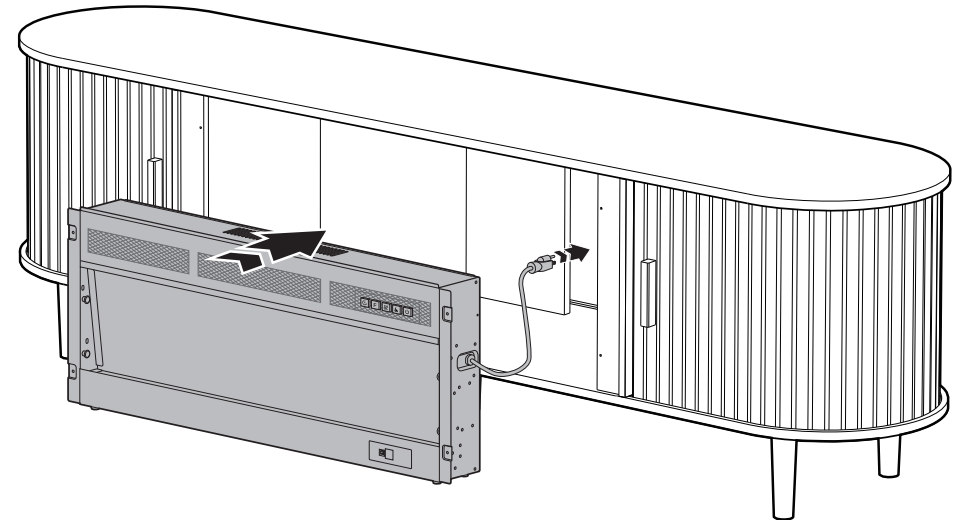
1



Removing Front Glass Panel

Unscrew the four screws from the sides (two on each side) of the fireplace. Carefully lift and remove the front glass panel. Set aside for later use.

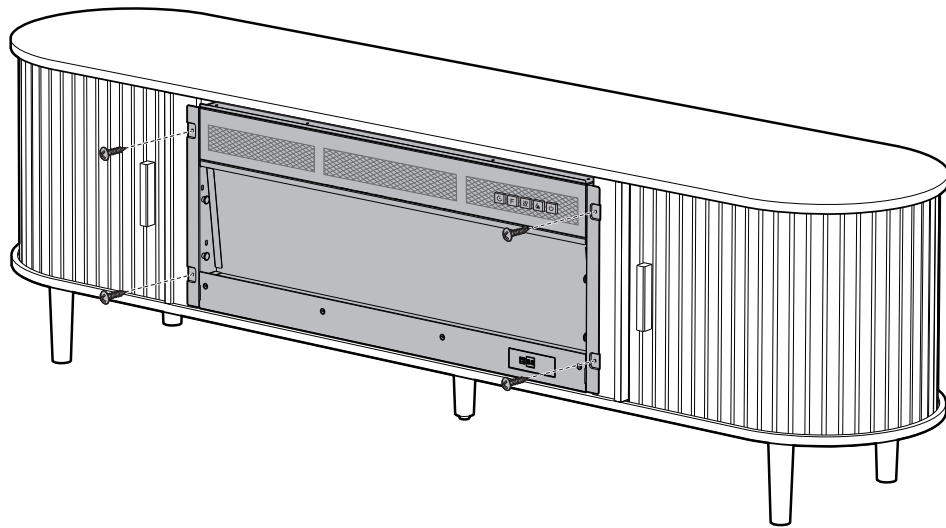
2



Attaching Fireplace

Gently hold and place the fireplace in the TV stand by 2 people. Run the power cord and plug through the hole.

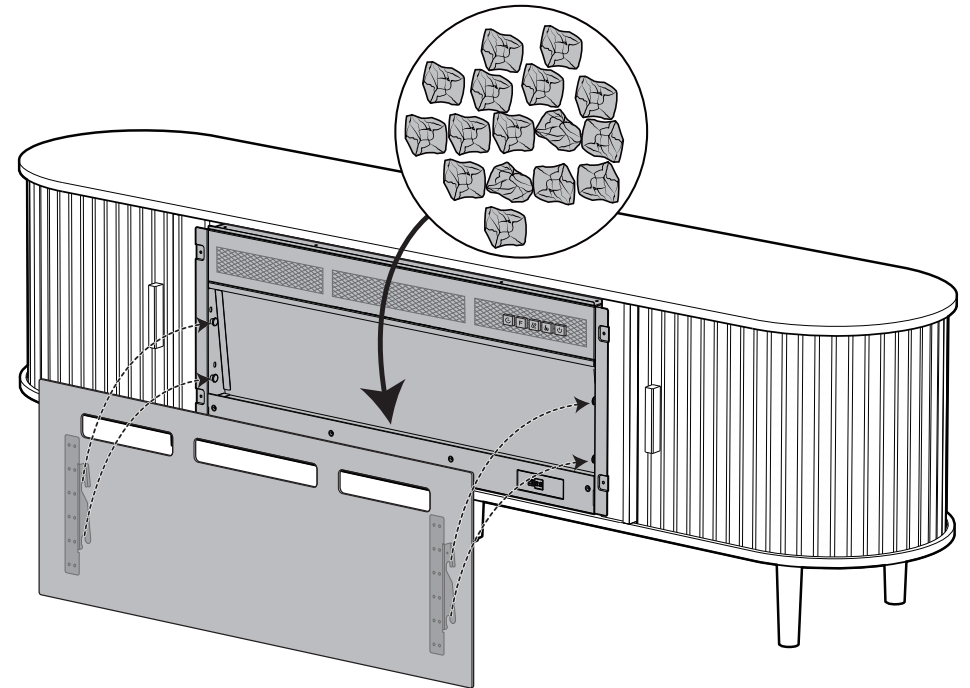
3



Securing Fireplace

Align with the holes on the TV stand and fix the fireplace onto the TV stand with four ST4*12 screws (seperately packed in package).

4

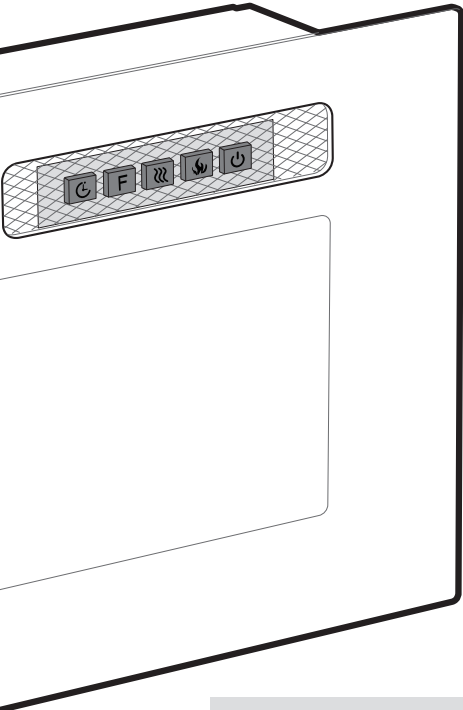


Attaching Front Glass Panel

Place the decorative crystals in. Align with the lugs on the inner sides of the fireplace and attach the front glass panel back in place.

USING ELECTRIC FIREPLACE

Control Panel



Power ON / OFF (Standby)

- Press once to turn the fireplace on with flame on brightest yellow by default.
- Press once again to turn off.



Flame Color Adjustment

With fireplace on, press repeatedly to cycle through 12 colors: C1 → C2 → C3 → C4 → C5 → C6 → C7 → C8 → C9 → Ca → Cb → Cc → C1...

Flame Brightness Adjustment

With fireplace on, hold for 3s to cycle through 5 brightness levels: F1 → F2 → F3 → F4 → F5 → F1...



Heating Level Setting

With fireplace on, press repeatedly to cycle through 2 heating levels: LL (Low) → HH (High) → 00 (Off) → LL (Low)...



Heating Temperature Setting

With fireplace on, press repeatedly to adjust the temperature (62-82°F). Once the set temperature is reached, the fireplace will stop heating. It will start again when the temp drops below the set one.

°C / °F Switching

With fireplace on, hold for 5s to switch the temperature unit.



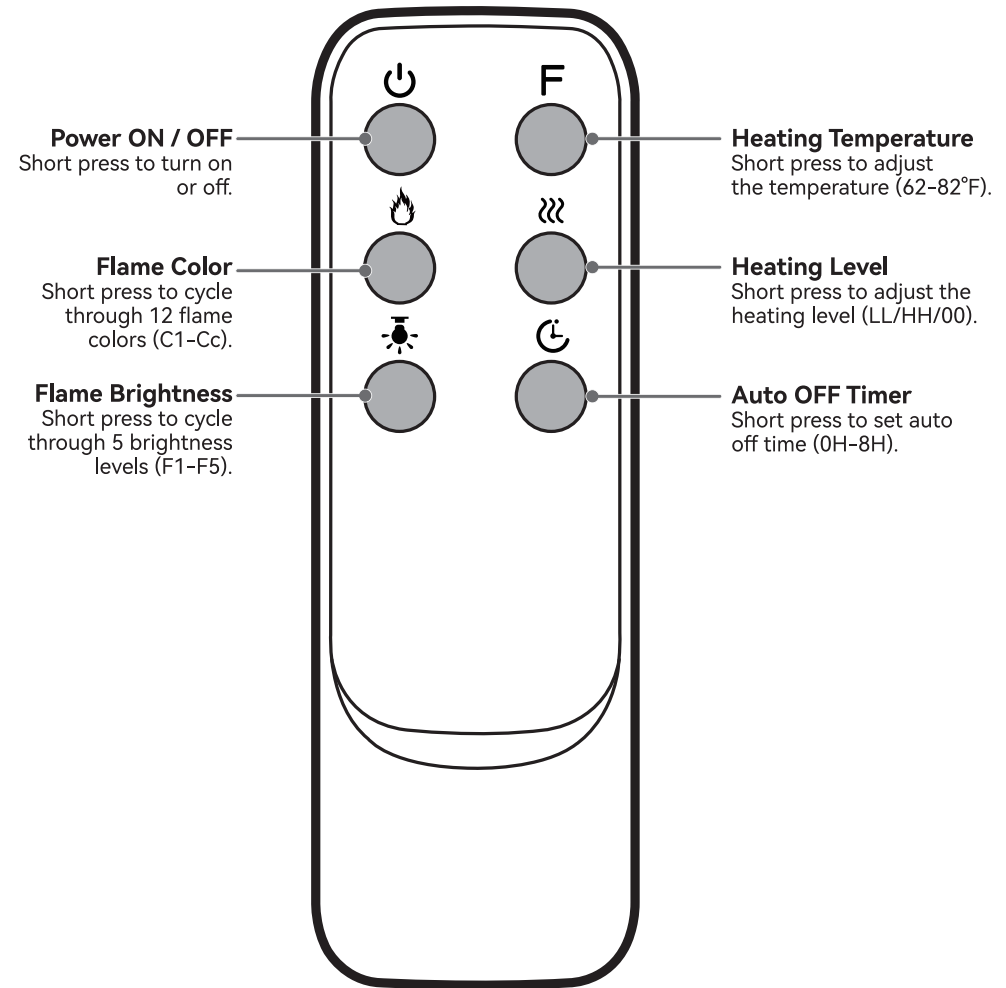
Auto OFF Timer

- With fireplace on, press repeatedly to set a time (0H-8H) to turn off automatically.
- To cancel, set the timer to 0H, or turn the fireplace off.

Using with Remote Control



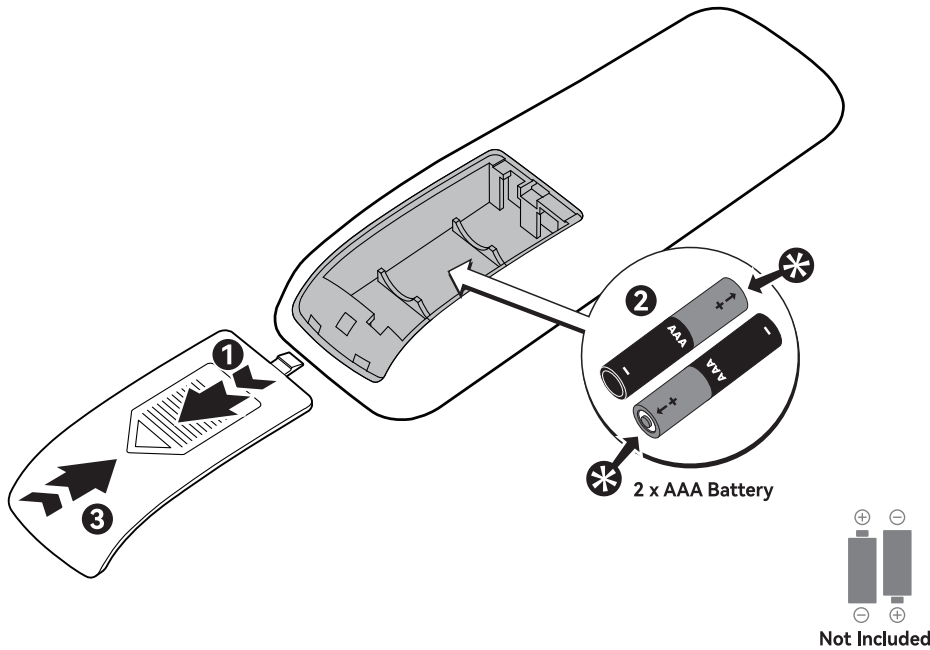
- For added convenience, the same control buttons can be found on the remote control.
- All other buttons (except flame brightness adjustment) are functioned the same as the control panel.



Installing & Replacing Batteries



- Use only batteries of the same type. Two AAA batteries for the remote control.
- DO NOT mix old and new batteries.
- DO NOT mix different types of batteries, e.g., alkaline, standard (carbon-zinc), or rechargeable batteries.
- DO NOT short circuit the supply terminals.
- DO NOT use rechargeable batteries. Do not charge the non-rechargeable batteries.
- When not using for extended period of time, take out the batteries.
- Remove the exhausted batteries from the remote control. Do not incinerate used batteries or dispose of in fire.

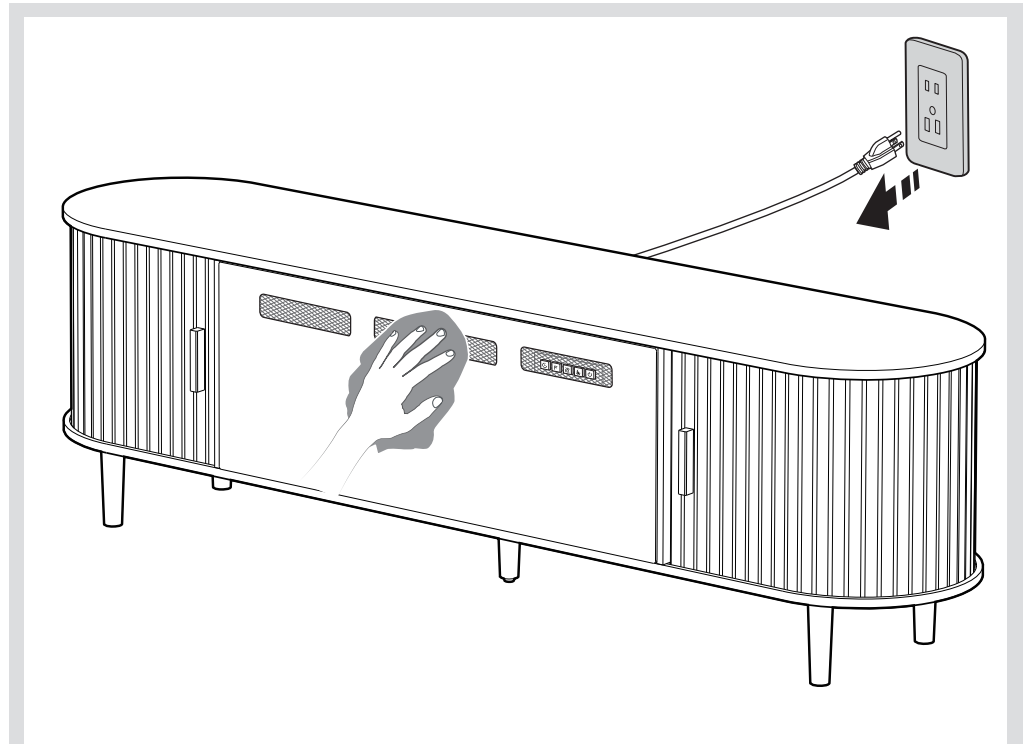


- 1 Remove the battery compartment cover along the indicated arrow.
- 2 Install or replace with two new AAA alkaline batteries, making sure the “+” and “-” polarities match.
- 3 Attach the cover back until snaps into place.

CARE AND MAINTENANCE



- Always make sure that the fireplace is turned off and unplugged before cleaning.
- DO NOT clean with abrasive chemicals, cleaning agents or solvents.
- Never immerse in water or allow water to drip into the motor housing.



- 1 Turn the fireplace OFF, unplug and wait for it to cool down.
- 2 Wipe the surface with a soft, slightly moist cloth to remove any dirt or dust.
- 3 Clean dust in the air outlets with a vacuum cleaner or air duster.

TROUBLESHOOTING GUIDE



The troubleshooting guide addresses the most common problems. If problems persist, feel free to contact the Customer Support via email: support@servicetimely.com

Fireplace does not start.

Fireplace stops heating suddenly.

Points for attention before use.

- Check if the fireplace is properly connected to a powered electrical outlet and the voltage indicated is the same as your local supply.
- Make sure that the temperature you set is higher than the ambient temperature.
- When the set temperature is reached, the fireplace will stop heating. It will resume working when the ambient temp is lower than the set one.
- Check if you have enabled Auto OFF timer. Press the power button to turn it on again.
- To prevent a possible fire, do not cover or block the air outlets of the fireplace in any manner.
- Always plug directly into a wall outlet/receptacle. Never use with an extension cord or relocatable power tap. If you insist on using an extension cord or relocatable power tap, make sure that only the fireplace is plugged in with rating of at least 1500W.

FCC COMPLIANCE

This device complies with Part 15 of the FCC Rules. Operation is subject to the following two conditions:
(1) this device may not cause harmful interference, and
(2) this device must accept any interference received, including interference that may cause undesired operation.