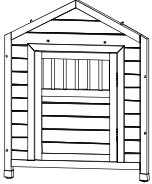
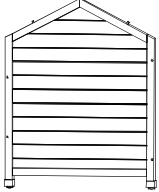
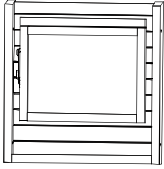




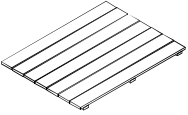
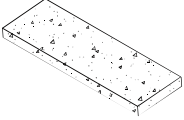
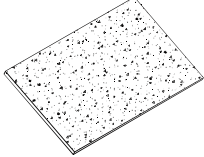
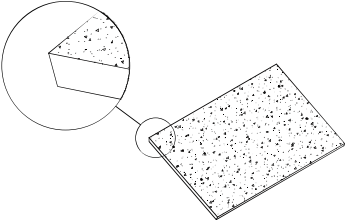
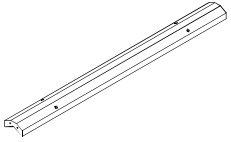


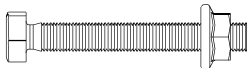
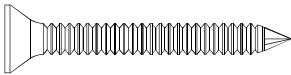
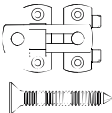

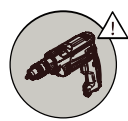


WCM3188D-S

<p>① 1PCS</p> 	<p>② 1PCS</p> 	<p>③ 1PCS</p> 	<p>④ 1PCS</p> 
<p>⑤ 1PCS</p> 	<p>⑥ 1PCS</p> 	<p>⑦ 2PCS</p> 	<p>⑧ 2PCS</p> 
<p>⑨ 1PCS</p> 	<p>⑩ 2PCS</p> 	<p>⑪ 1PCS</p> 	<p>⑫ 1PCS</p> 
<p>⑬ 2PCS</p> 			

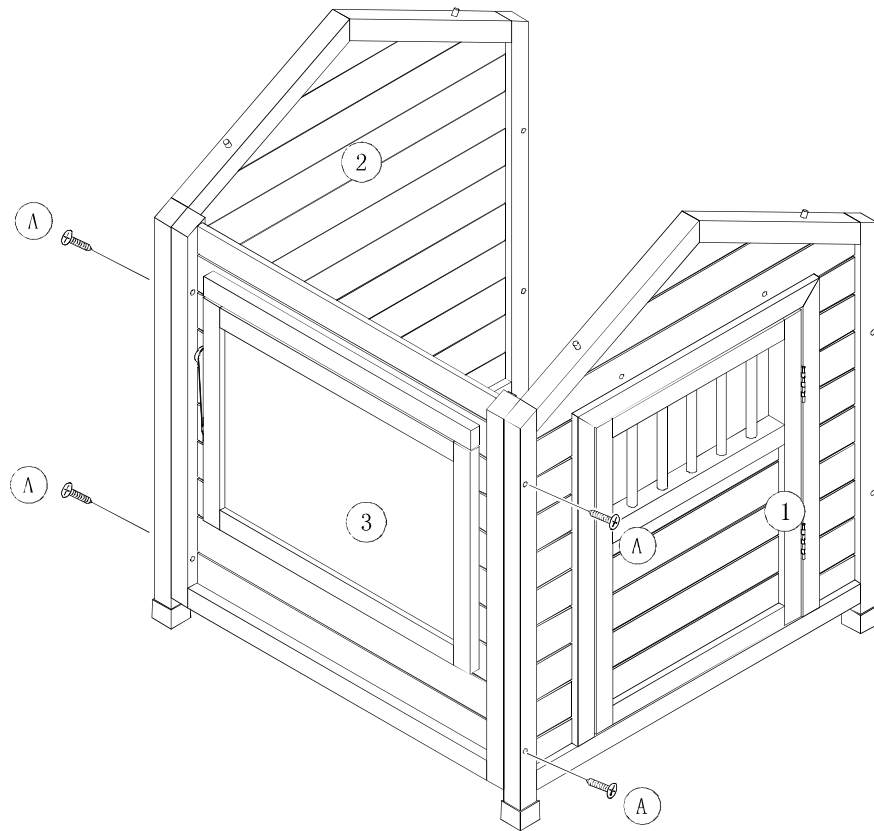
<p>A M6*60(8PCS)</p> 	<p>B M6*50(10PCS)</p> 	<p>C M3.5*35(20PCS)</p> 	<p>D 1PCS</p> 
--	---	--	---

ASSEMBLY TOOS REQUIRED(NOT INCLUDED)

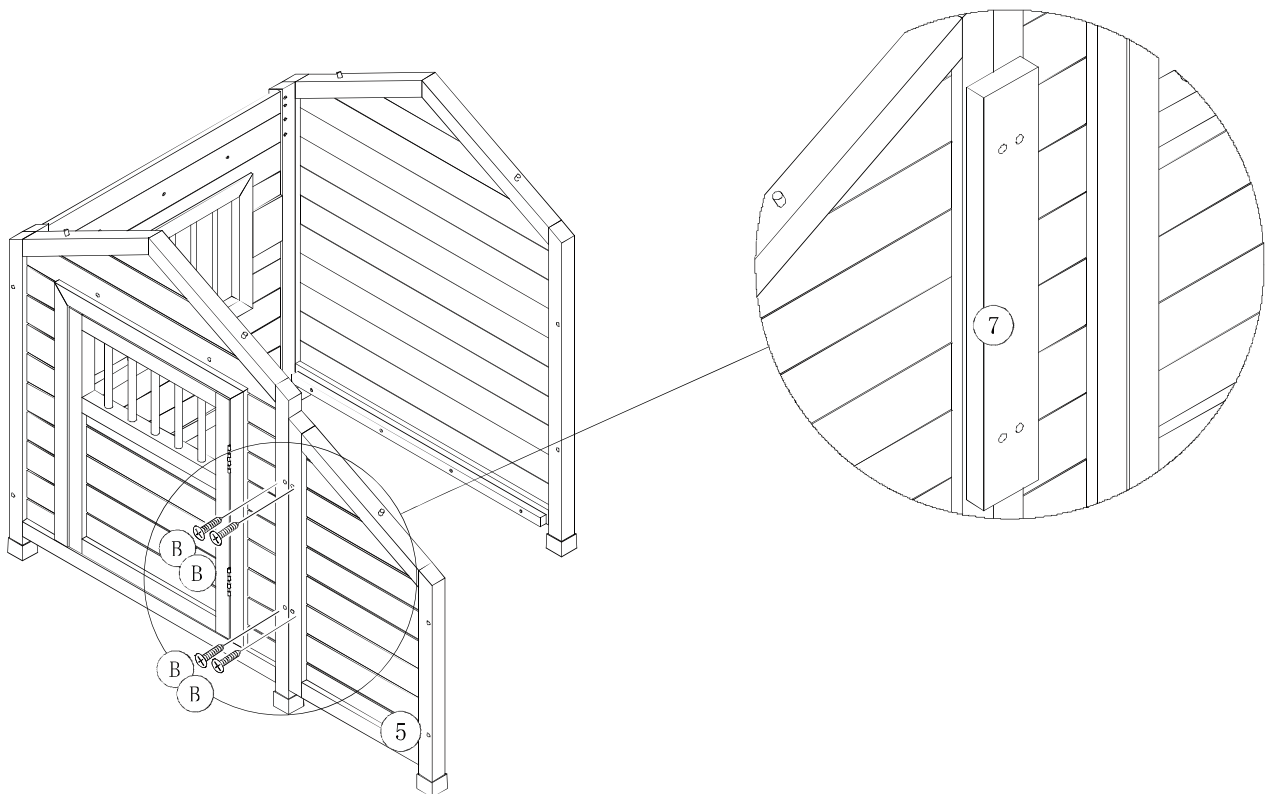
PLEASE BE CAREFUL DO NOT DAMAGE THE HOLE POSITION WHEN YOU USE POWERTOOLS

1



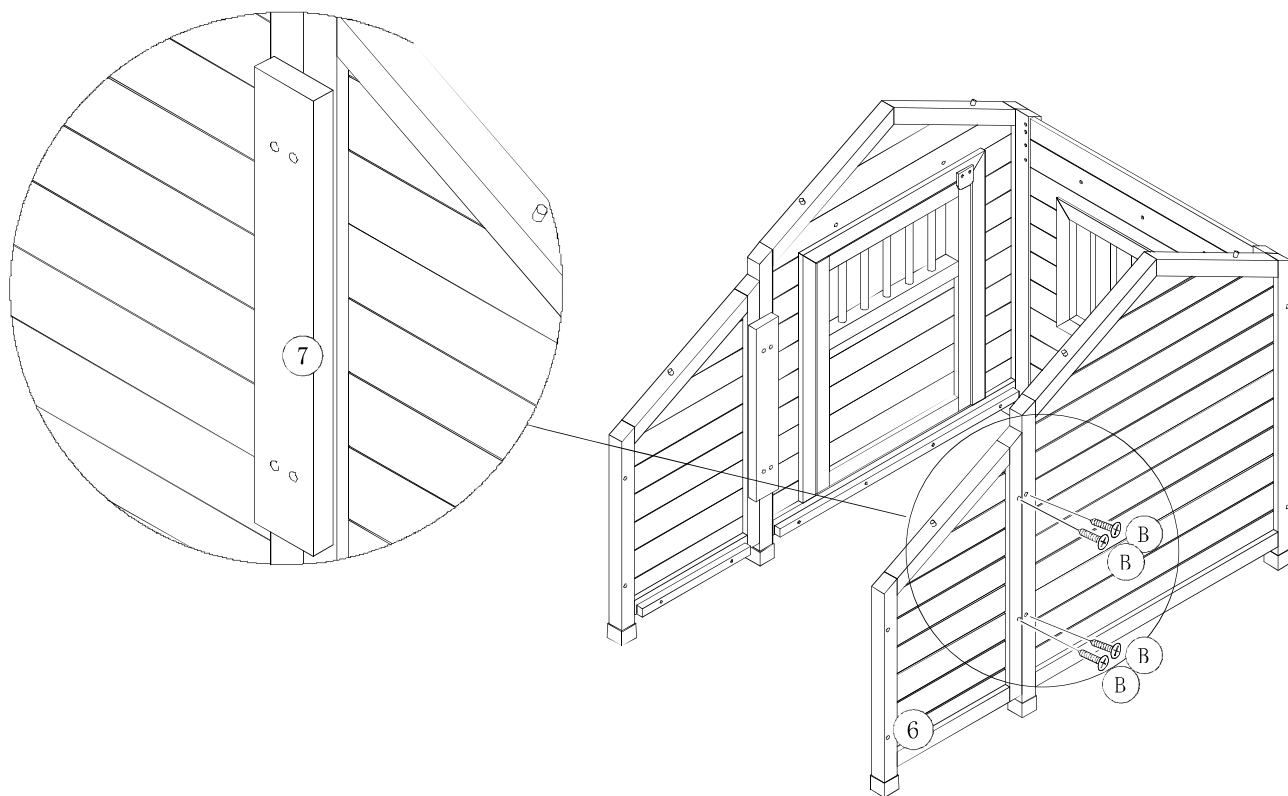
Ⓐ M6*60(4PCS)

2



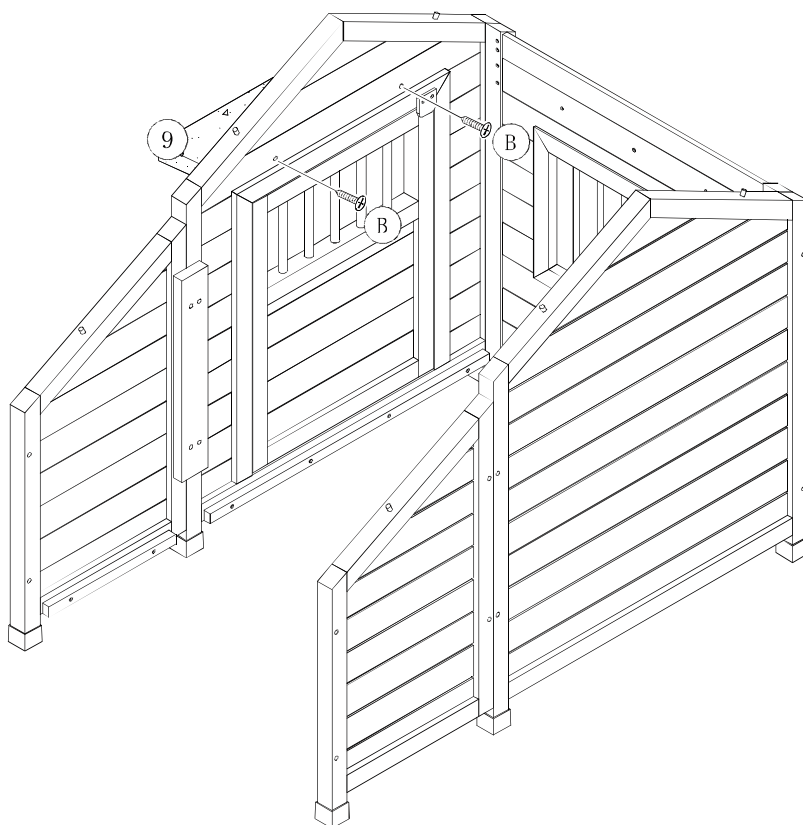
Ⓑ M6*50(4PCS)

3



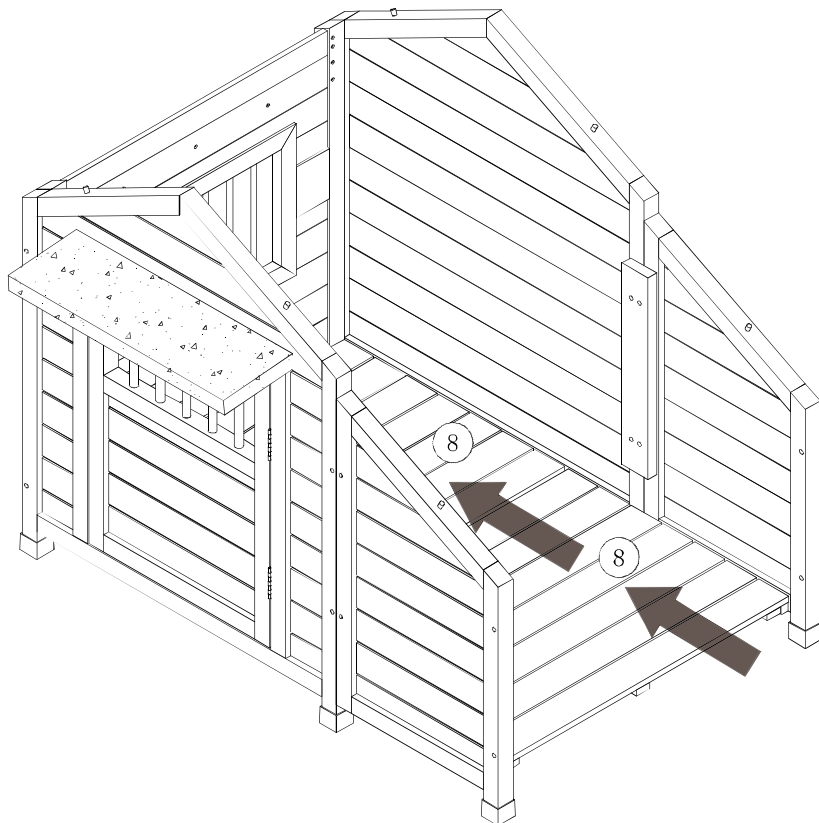
(B) M6*50(4PCS)

4

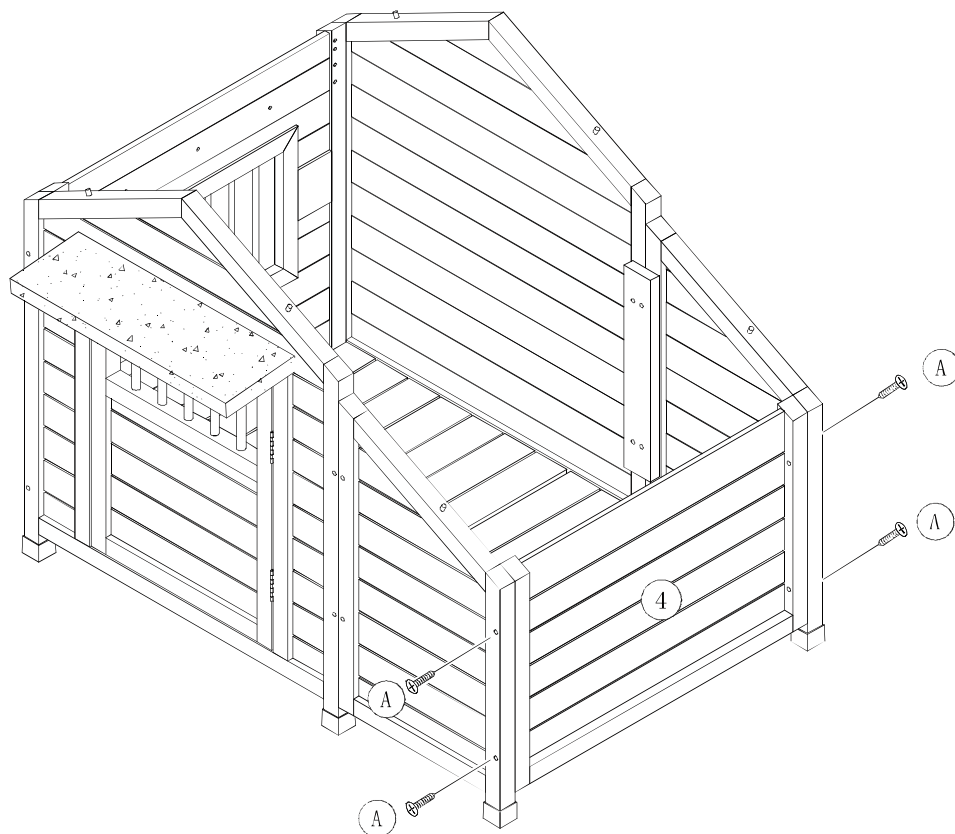


(B) M6*50(2PCS)

5

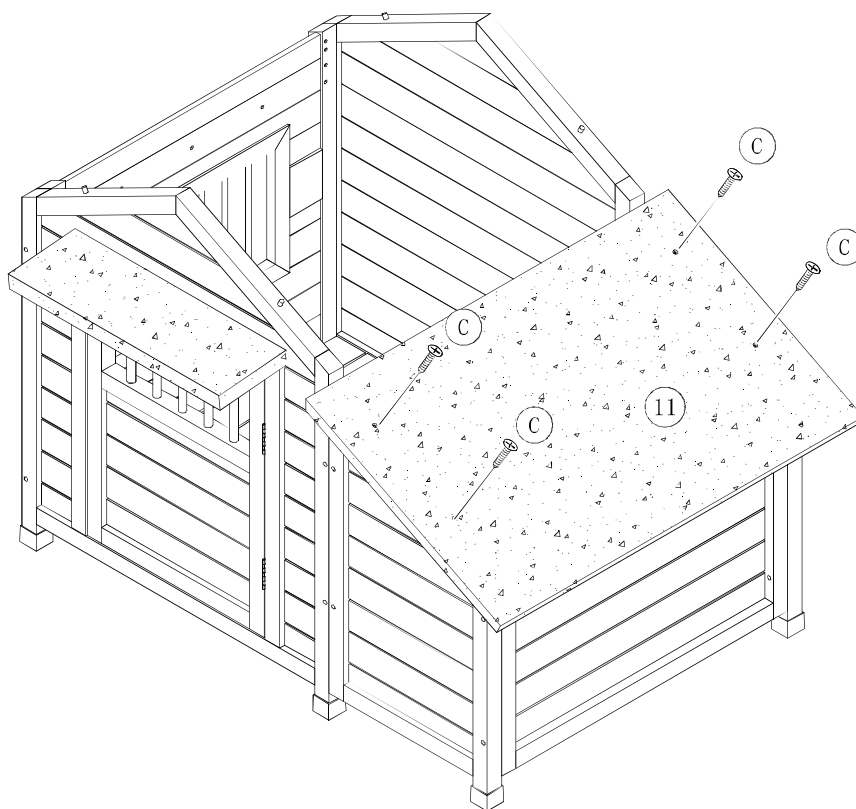


6



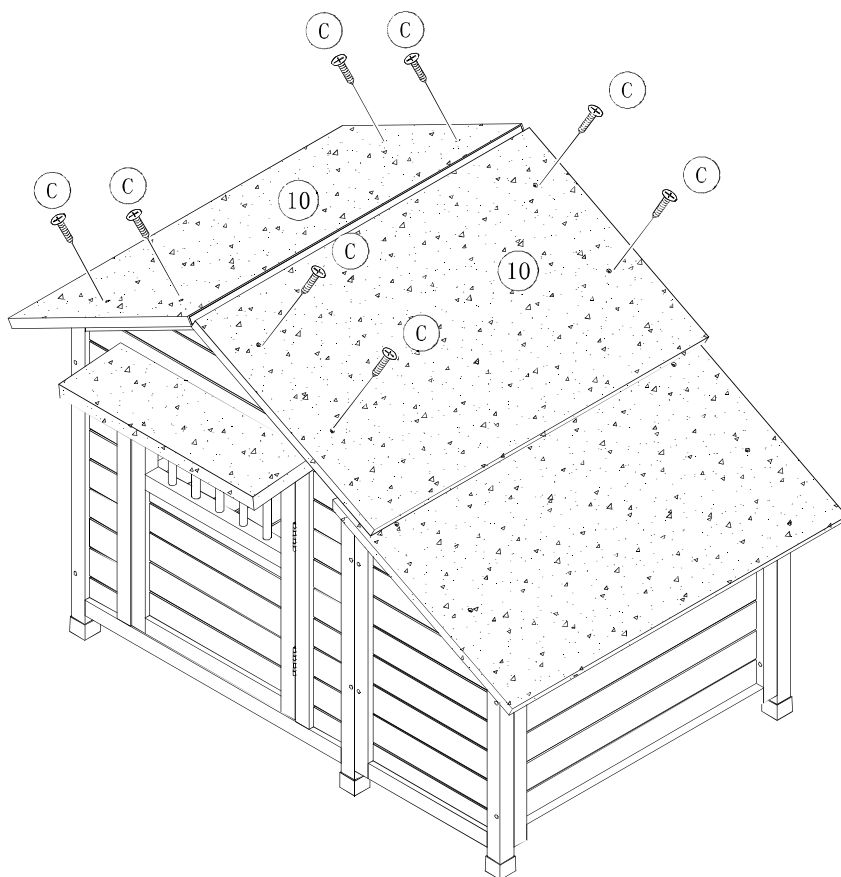
A M6*60(4PCS)

7



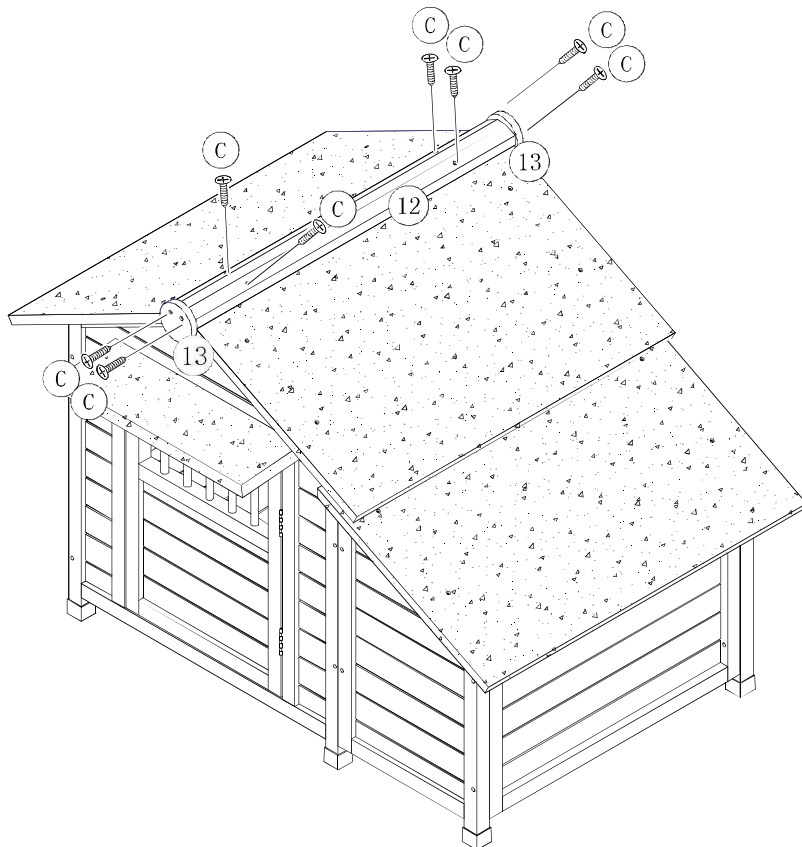
(C) M3.5*35(4PCS)

8



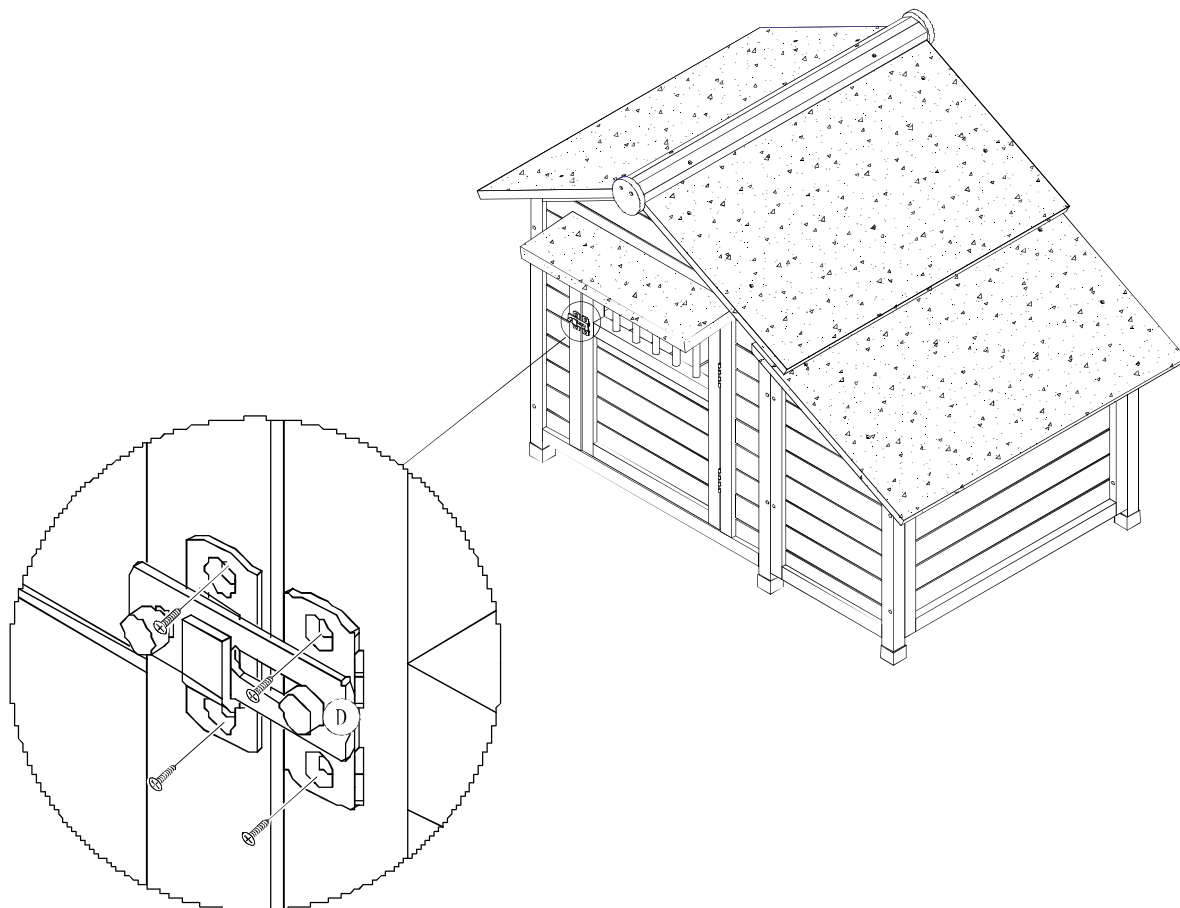
(C) M3.5*35(8PCS)

9



C M3.5*35(8PCS)

10



D 1PCS