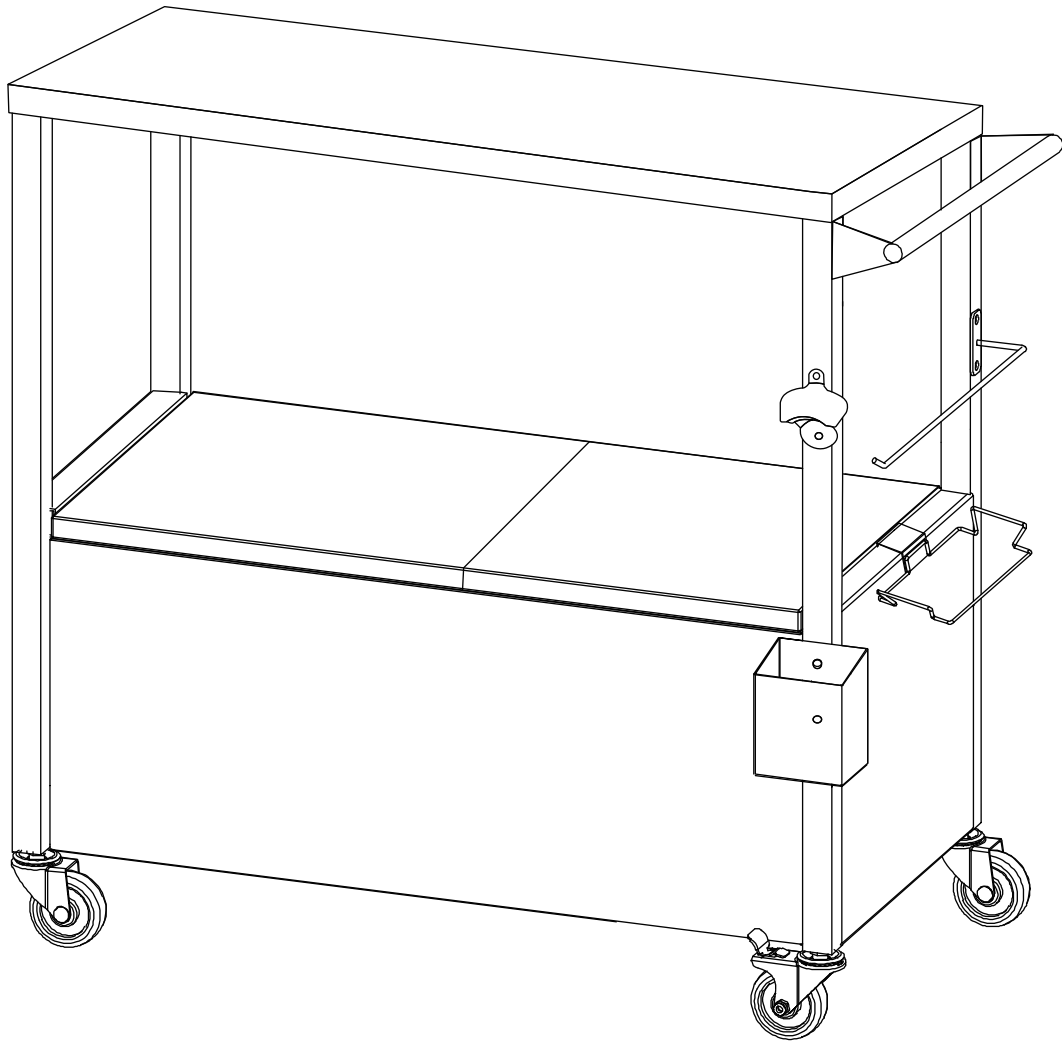


80 QT PATIO ROLLING ICE CHEST WITH SHELF



**After-sales mailbox:
Patiofurniture Serviceteam@outlook.com**

NOTICE

EN

Please keep these instructions for future reference.

Dear Customer

● Thank you for your purchase. When you receive the product, please make sure that all the parts are intact. If any parts are missing, please contact us promptly to request replacement parts.

● Then follow the entire installation instructions to install.

● Each part is crucial, so please be careful not to lose any. It is recommended to store parts with different lettered identifiers in separate boxes or bags to avoid confusion during installation.

A . The outer box is damaged

B . The product is damaged / bent / cracked while you open the box

C . The parts / accessories / assembly tools are missing

D . The instructions are not clear and can not be referred

E . The product has functional problems

F . Other aspects that you are not satisfied with

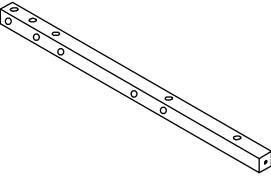
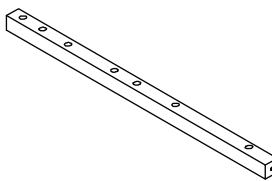
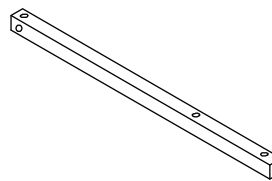
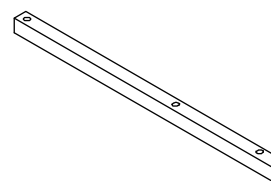
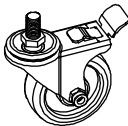
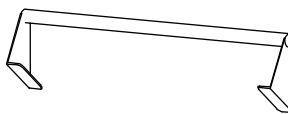


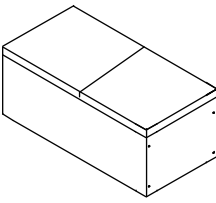
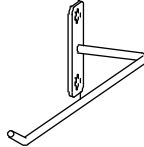
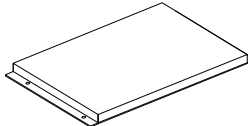
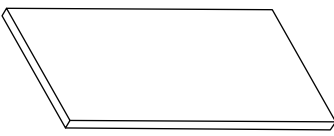
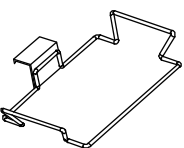
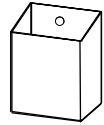
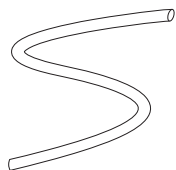

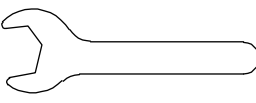
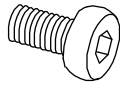
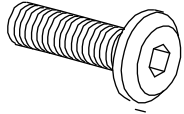
Please feel free to contact us for help, and provide the following information:

Platform/Shop name/Order id/Buyer's name/Receiver's address/Problem description/Problem pictures

(Patiofurniture Serviceteam@outlook.com) will reply within 24 hours and will do our best to resolve the problem for you.



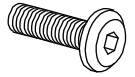
PART LIST

							
A	1PC	B	1PC	C	1PC	D	1PC
							
E	2PCS	F	1PC	G	1PC	H	2PCS
							
I	1PC	J	1PC	K	2PCS	L	1PC
							
M	1PC	N	1PC	O	1PC	1	1PC
		 M6*16MM		 M6*45MM			
2	1PC	aa	18PCS	bb	8PCS		

STEP

01

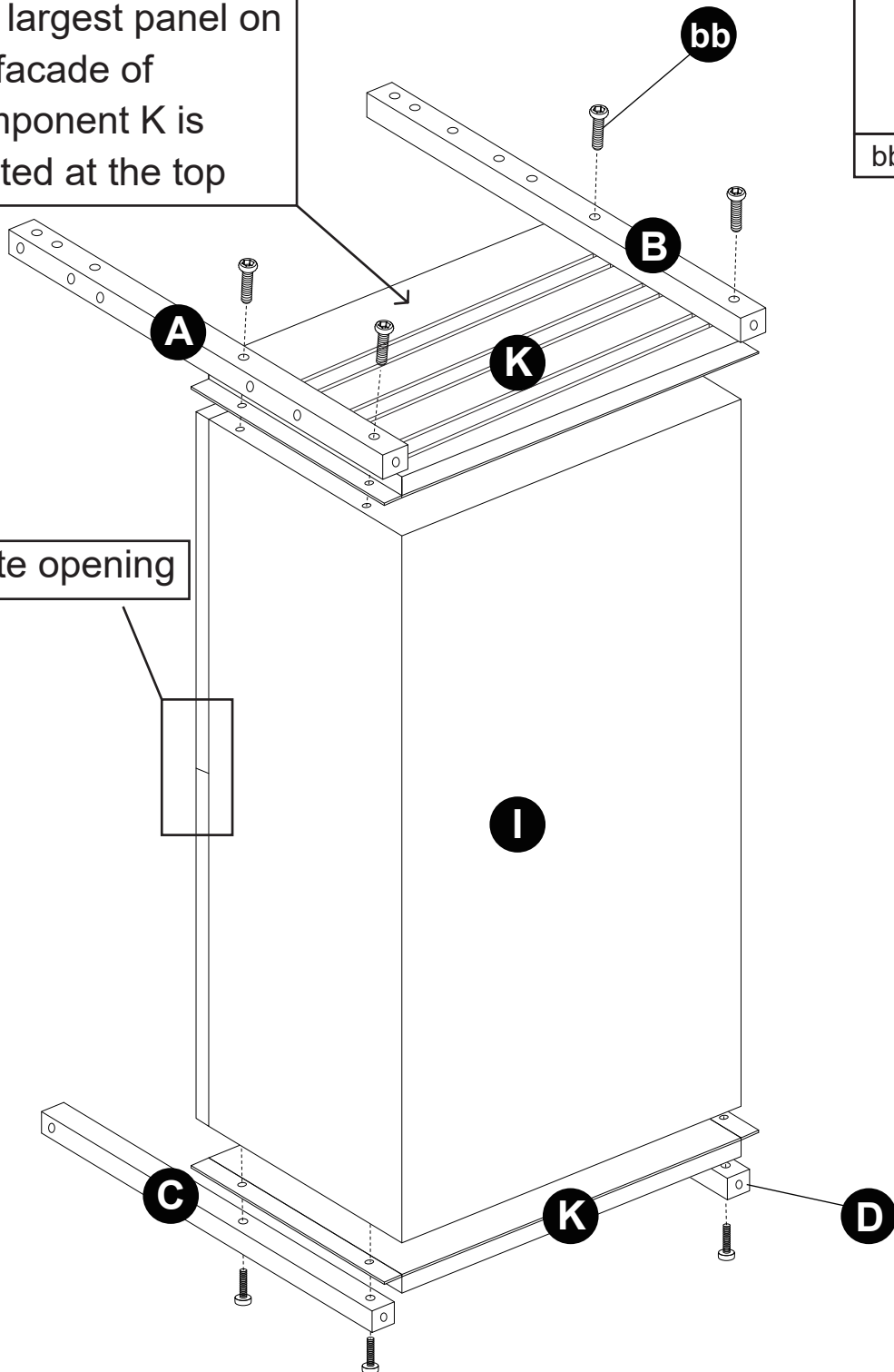
The largest panel on the facade of Component K is located at the top



M6*45MM

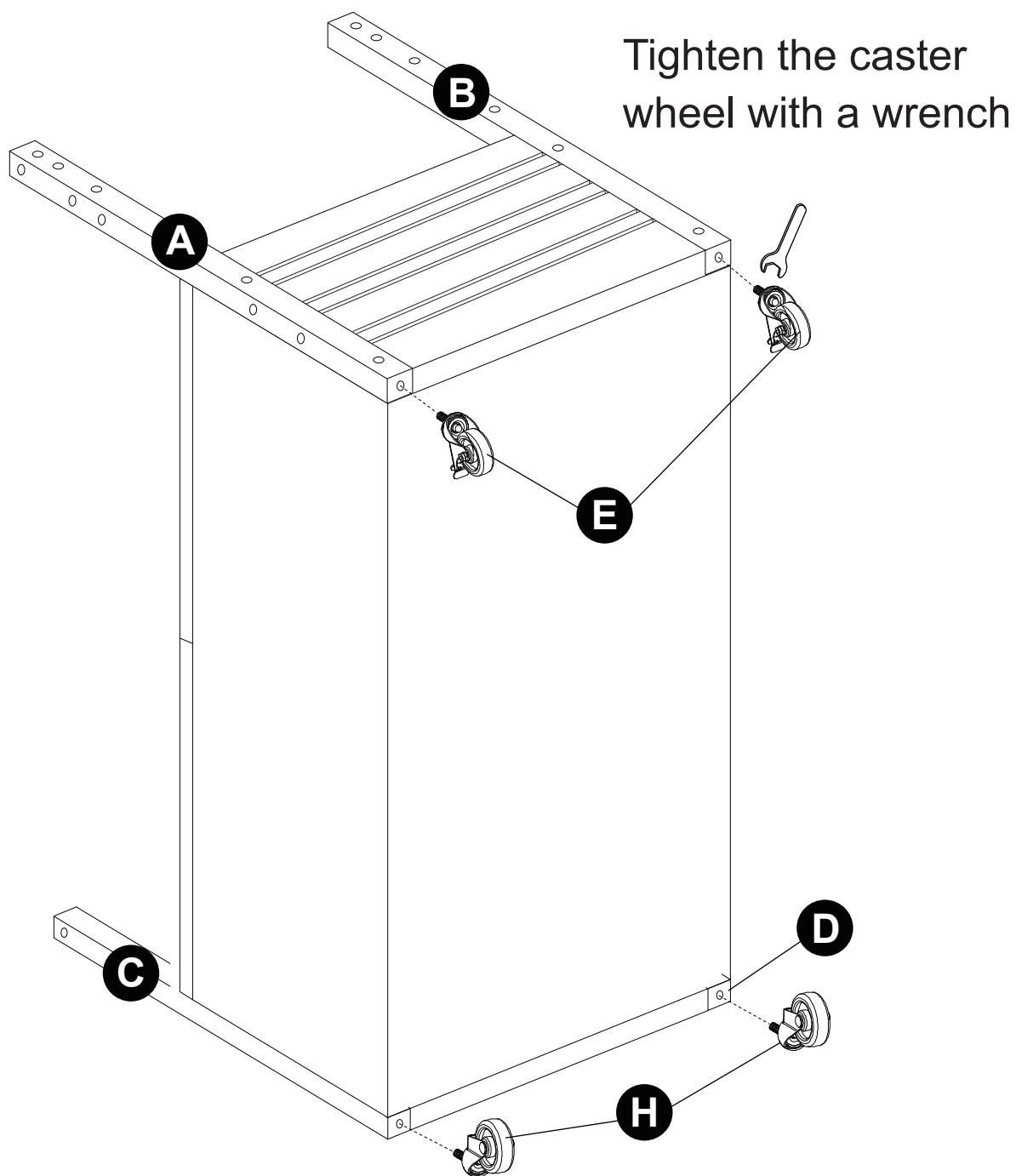
bb 8PCS

cover plate opening



- 1、 The hole position of Part A shall be aligned with the opening direction of the cover on Part I.
- 2、 When installing Parts A, B, C and D, the two hole positions at the end shall face outward.

02

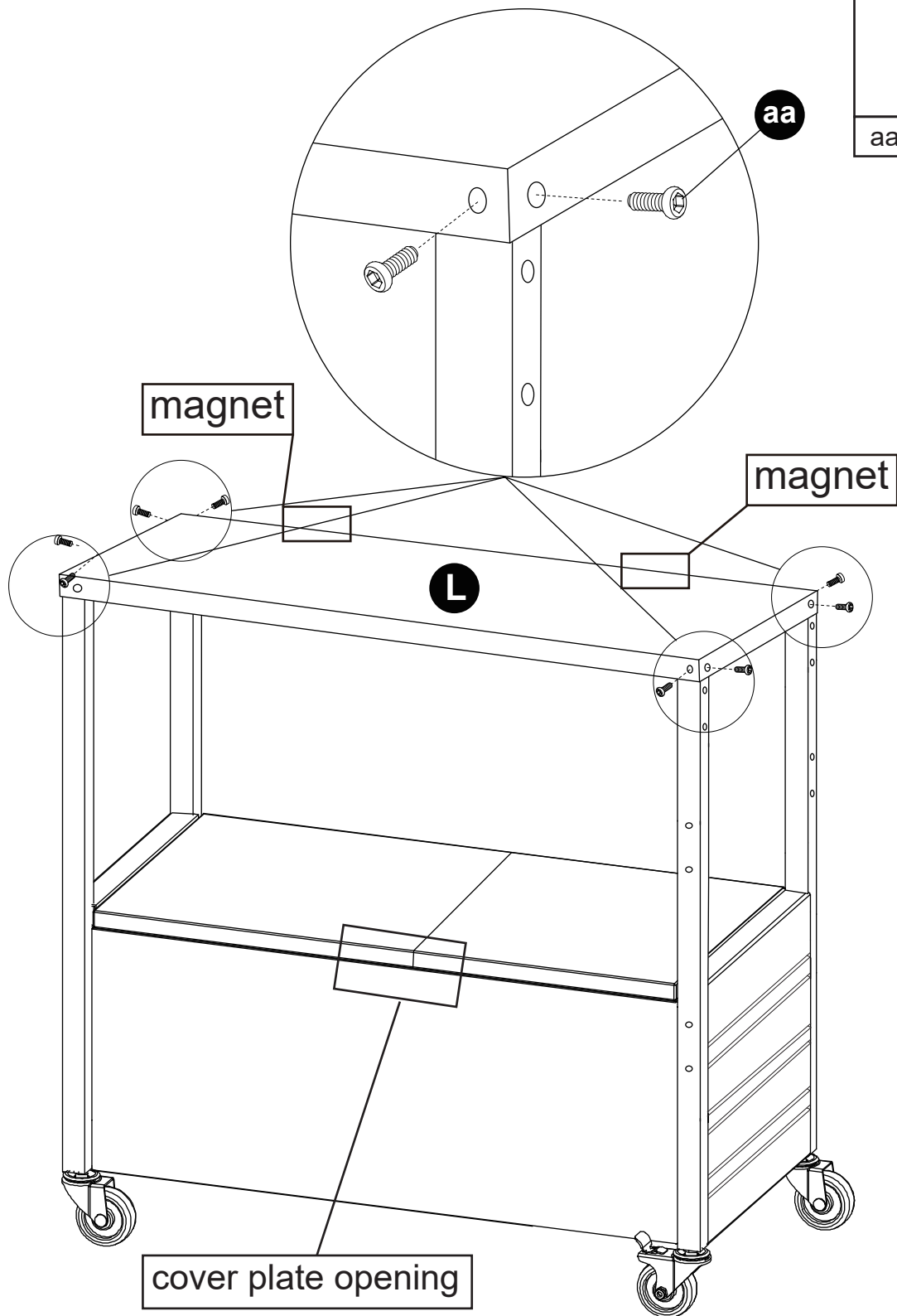


1、 Part E is equipped with a braking function, and Part H is a standard caster wheel.

2、 Part E is connected to Parts A and B, Part H is connected to Parts C and D.

STEP

03



M6*16MM

aa

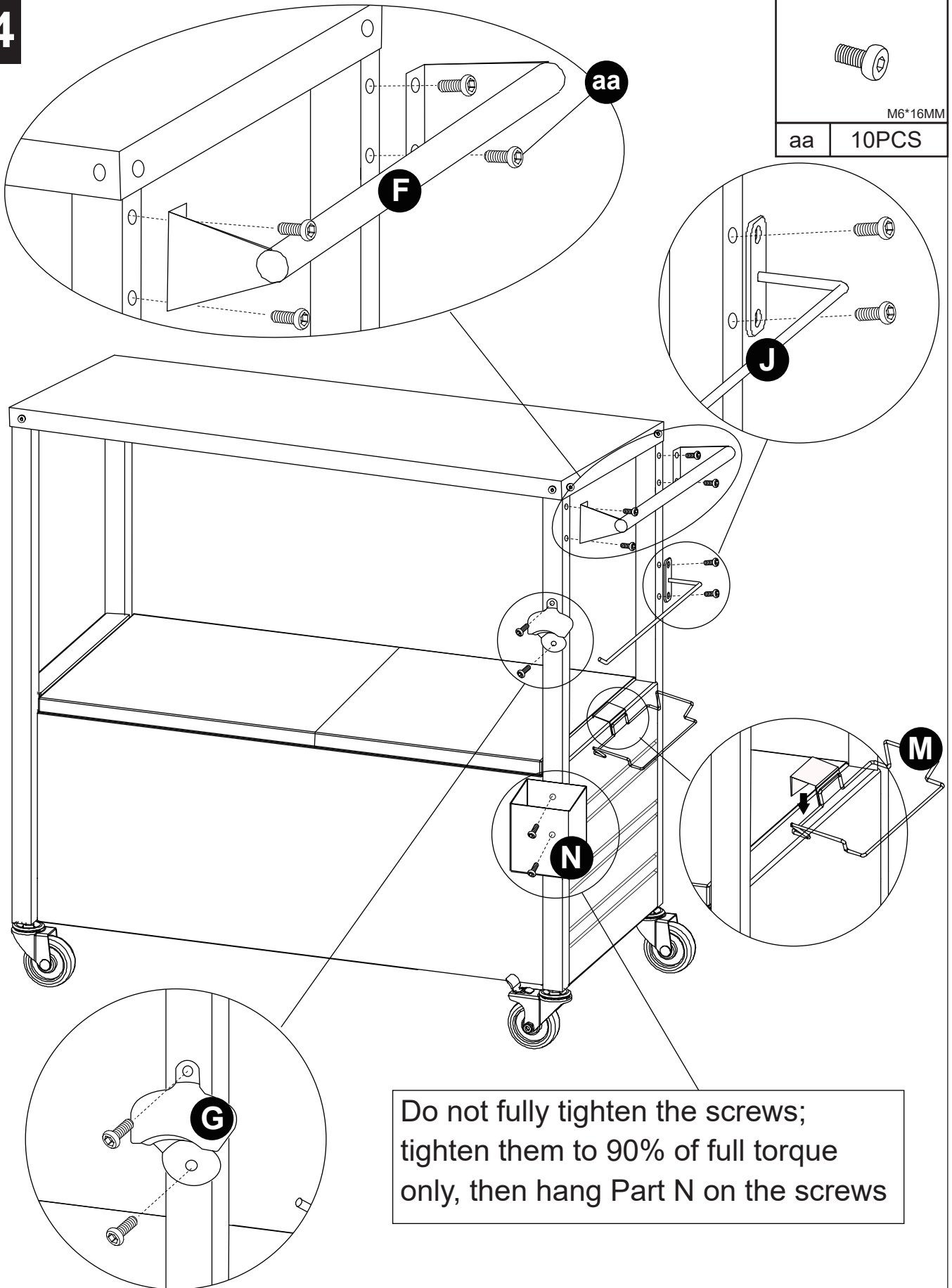
8PCS

There are two magnets on Component L, which need to be placed behind the opening of the cover plate

04

STEP

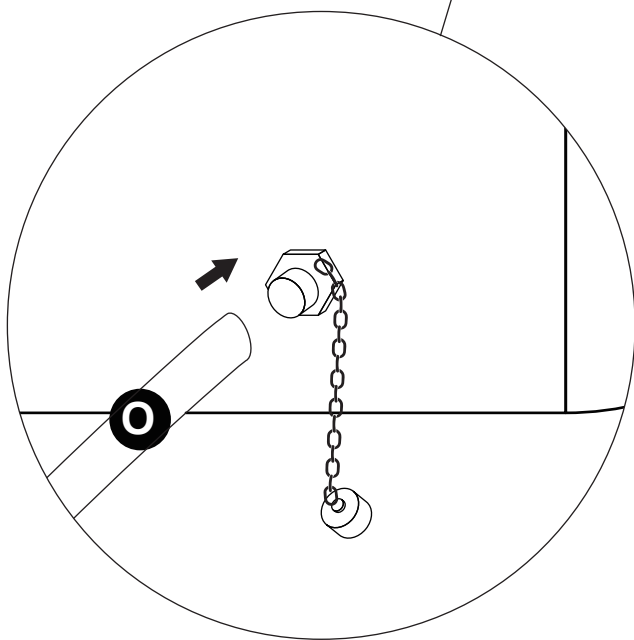
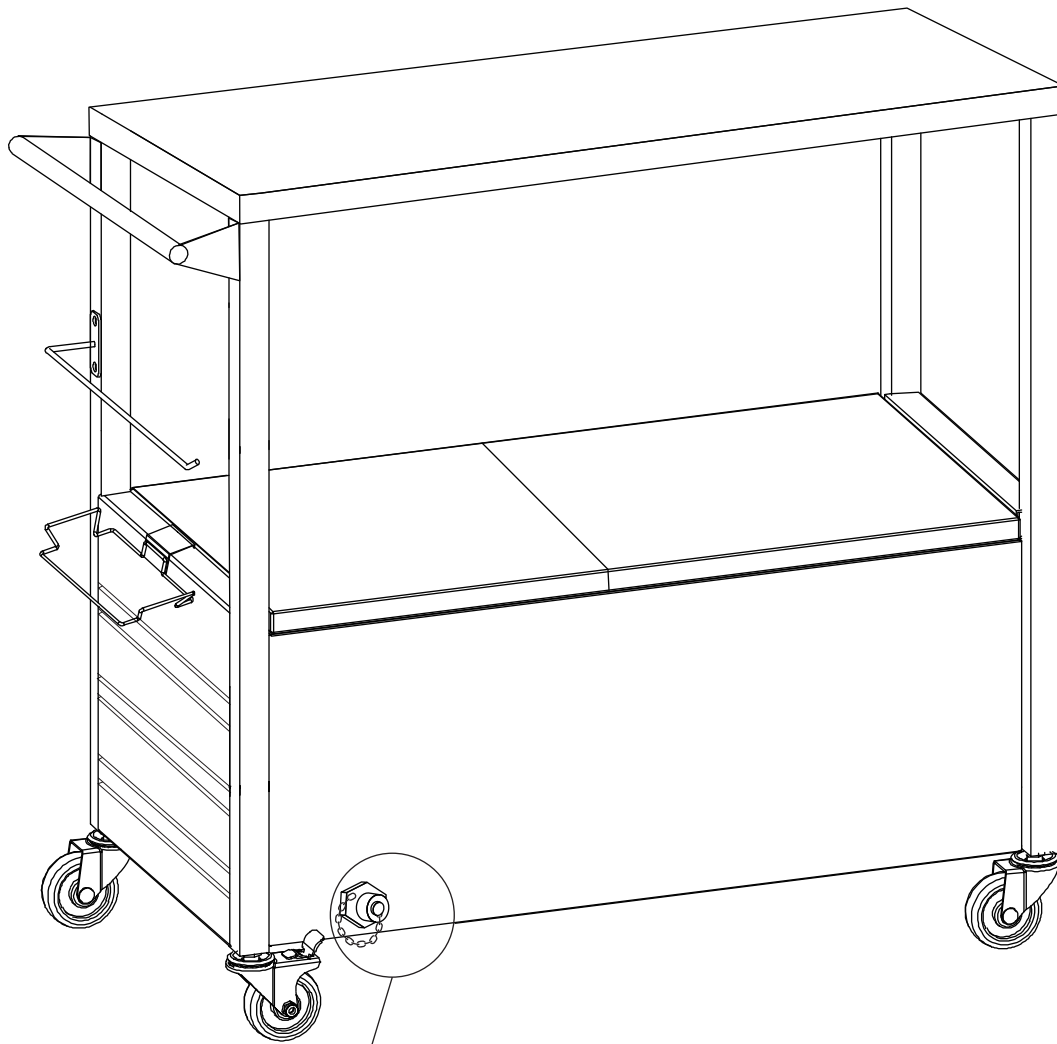
04



Do not fully tighten the screws; tighten them to 90% of full torque only, then hang Part N on the screws

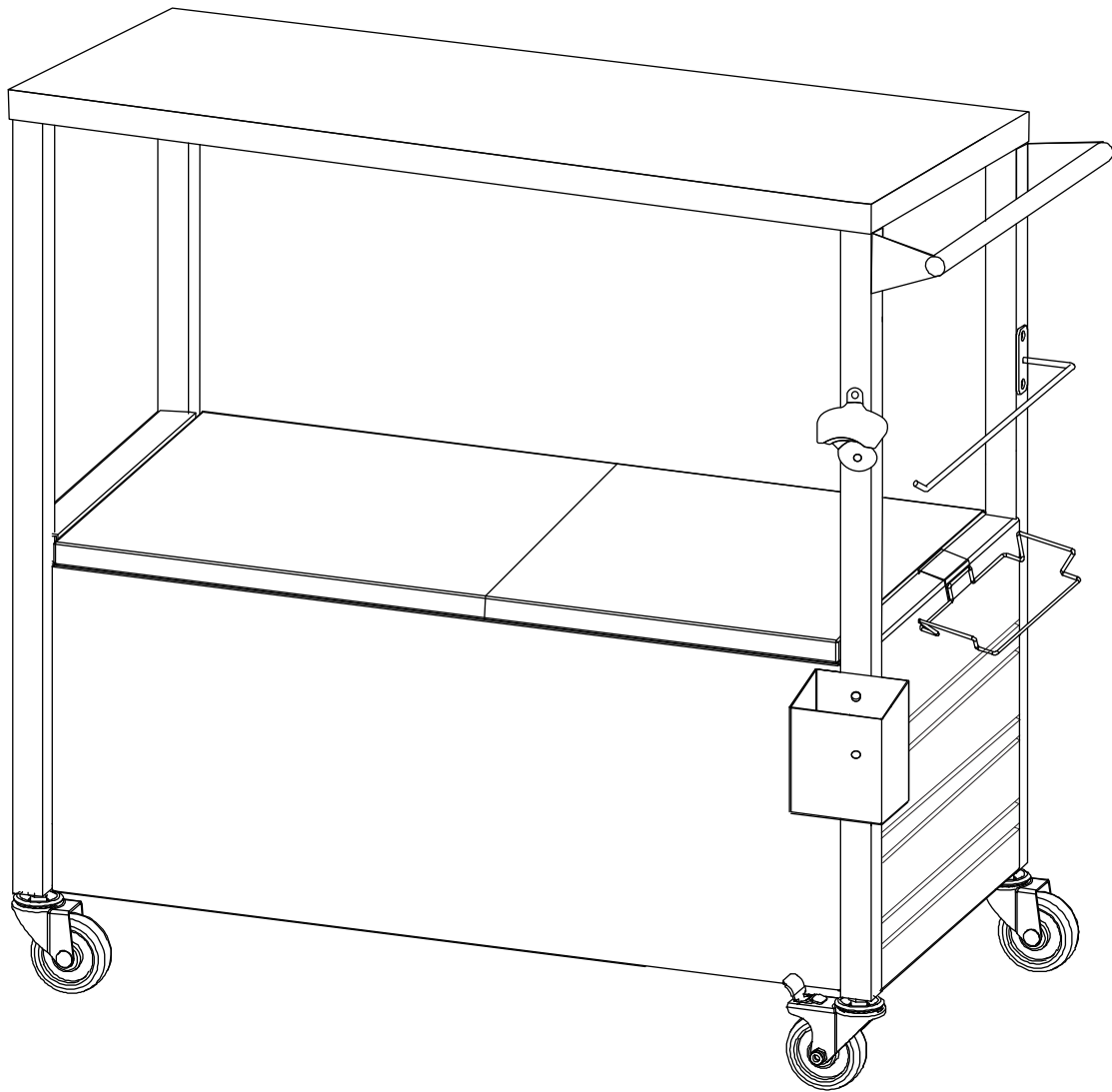
05

05



To drain the water from the ice cart, you can unscrew the cover located at the bottom of the tank and connect a water pipe (Part O) to channel the water onto the ground.

06



EN

AFTER-SALE SERVICE

If you have any suggestions for our products or notice any quality issues, please contact us first. Our after-sales team will respond within 24 hours and will do everything possible to provide you with a satisfactory solution.

Guaranteed Customer Service

Your shopping experience is very important to us!

Feel unsatisfied? **Contact us!**

Have any questions? **Contact us!**

Wanna Share how wonderful our smart products make your home?

Share your pictures with us.

Any suggestions? **Contact us!**

We will check and give feedback.



Patiofurniture Serviceteam@outlook.com

