

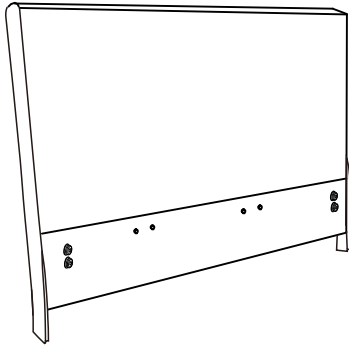
PLATFORM BED

C.KING/E.KING ASSEMBLY INSTRUCTIONS

PARTS AND PACKAGING DETAIL

BOX #1

- A. HEADBOARD 1 PC
- B. LEG 2 PCS



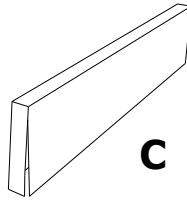
A



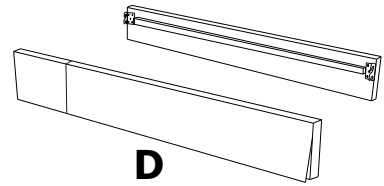
B

BOX #2

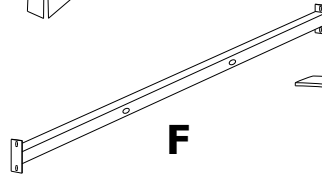
- C. FOOTBOARD 1 PC
- D. SIDE RAIL 2 PCS
- E. FOOTBOARD LEG 2 PCS
- F. CENTER SLAT SUPPORT 2 PCS
- G. CENTER SUPPORT LEG 4 PCS
- H. SLAT 39 PCS
- I. SIDE RAIL SLAT CLIP 26 PCS
- J. CENTER SUPPORT SLAT CLIP 26 PCS



C



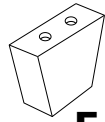
D



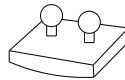
F



H



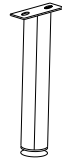
E



I

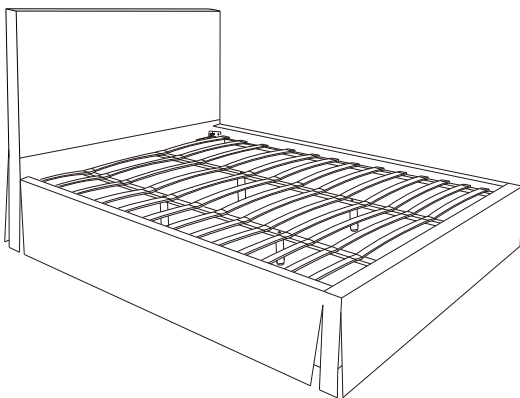


J

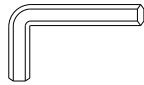
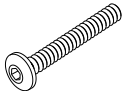
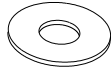



G



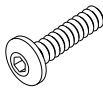
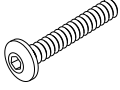
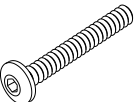
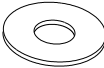


BED ASSEMBLED



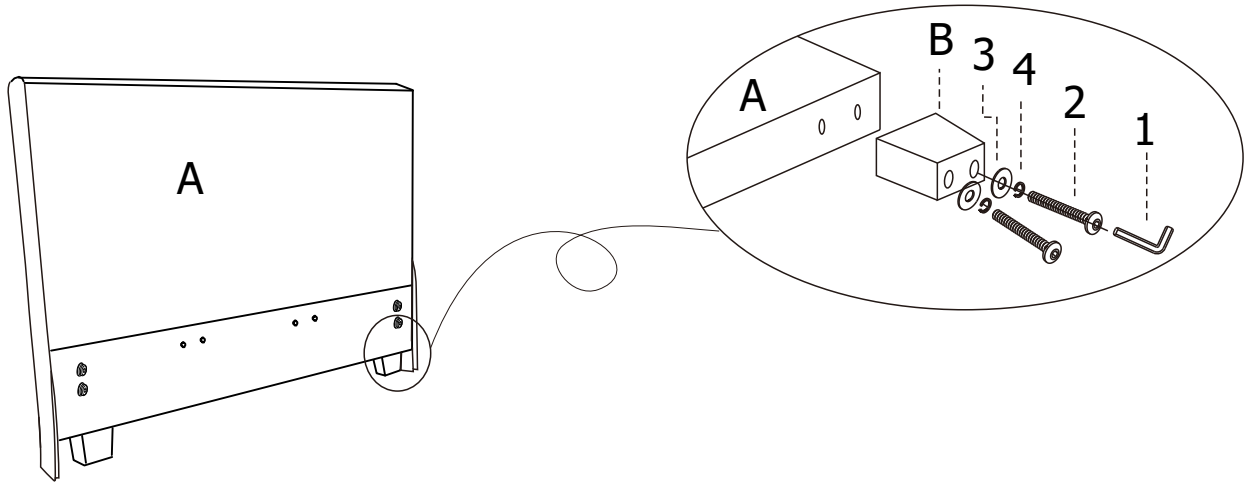
HARDWARE PACKED IN BOX #1

1	ALLEN KEY 5/16	2	ALLEN BOLT 5/16x3-1/4"	3	FLAT WASHER 5/16	4	LOCK WASHER 5/16
							
1PC		4PCS		4PCS		4PCS	

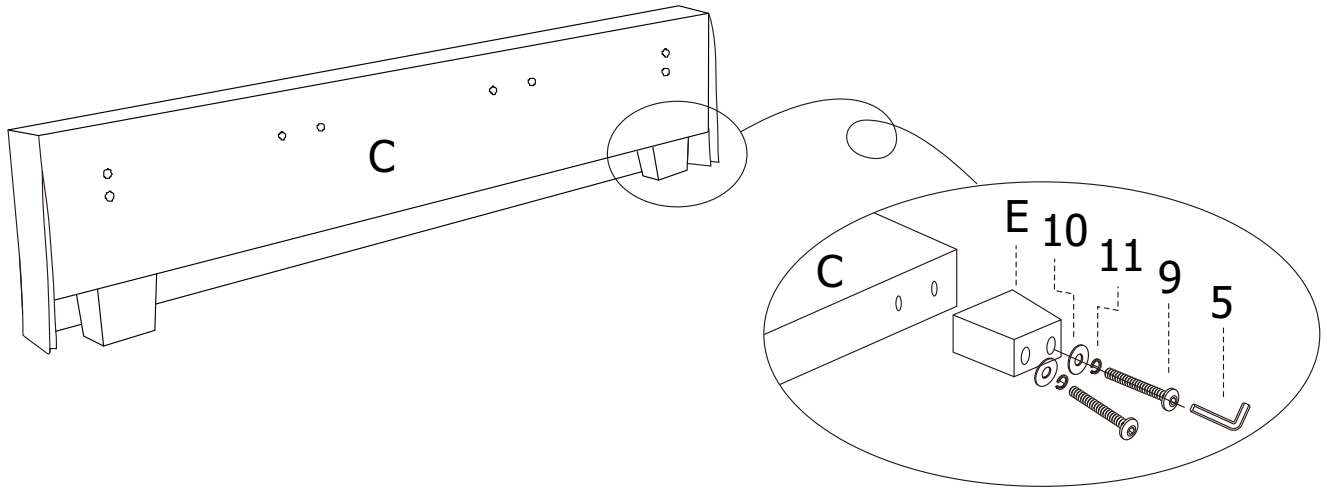
HARDWARE PACKED IN BOX #2

5	ALLEN KEY 5/16	6	SPANNER 5/16	7	ALLEN BOLT 5/16x1"	8	ALLEN BOLT 5/16x2-1/2"
							
1PC		1PC		8PCS		8PCS	
9	ALLEN BOLT 5/16x3-1/4"	10	FLAT WASHER 5/16	11	LOCK WASHER 5/16	12	HEX NUT 5/16
							
4PCS		28PCS		20PCS		8PCS	

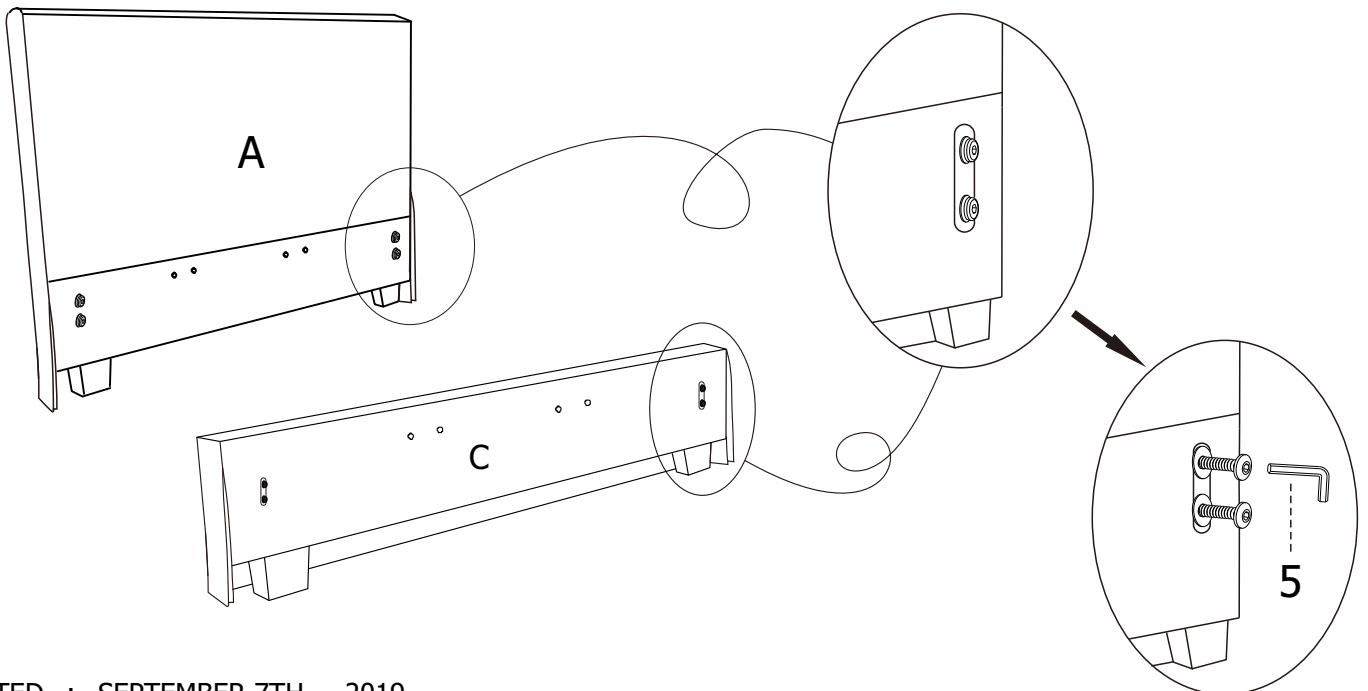
STEP 1 :



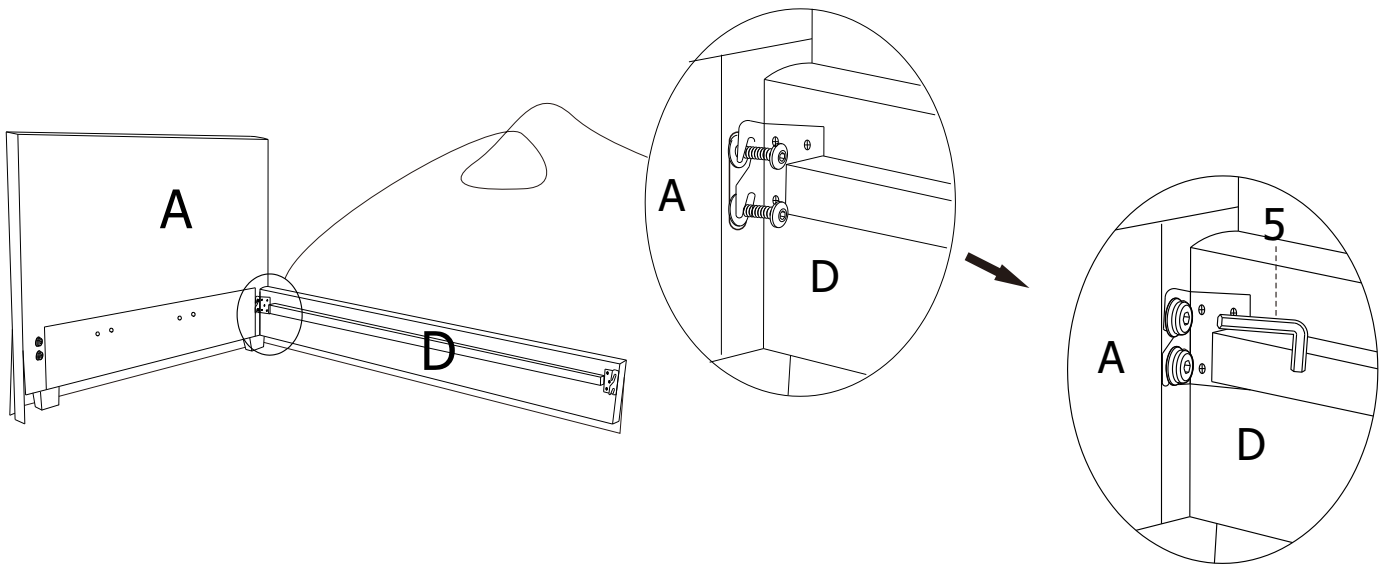
STEP 2 :



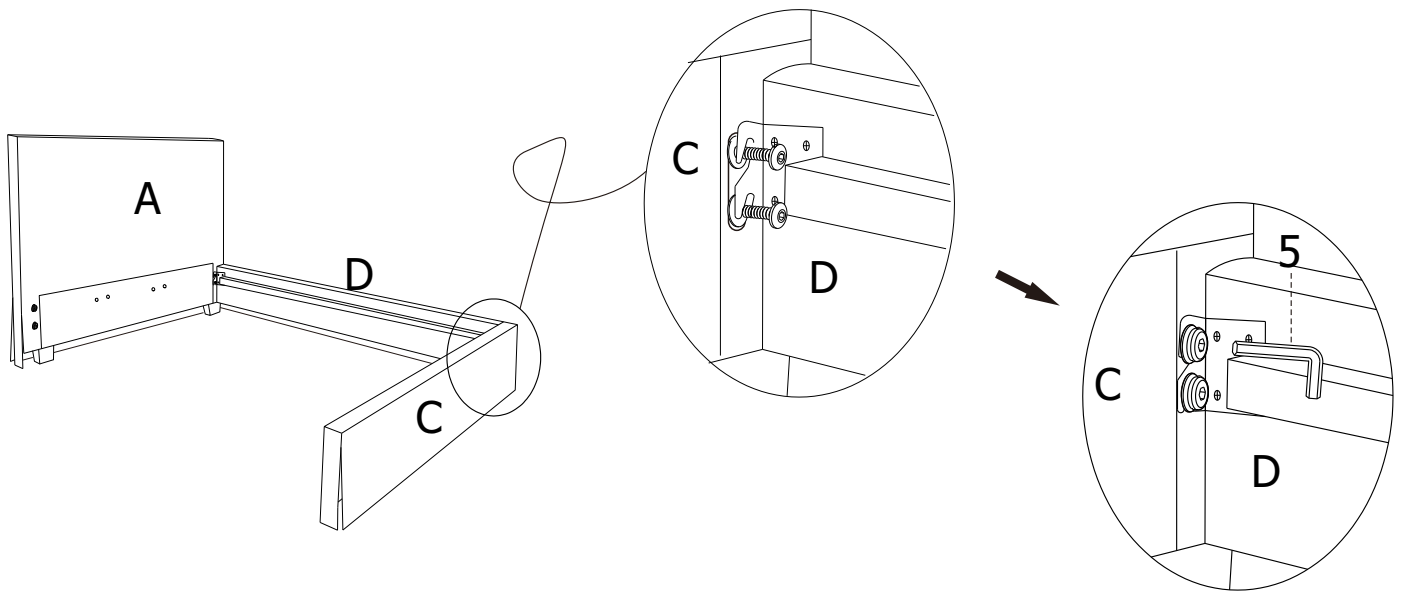
STEP 3 :



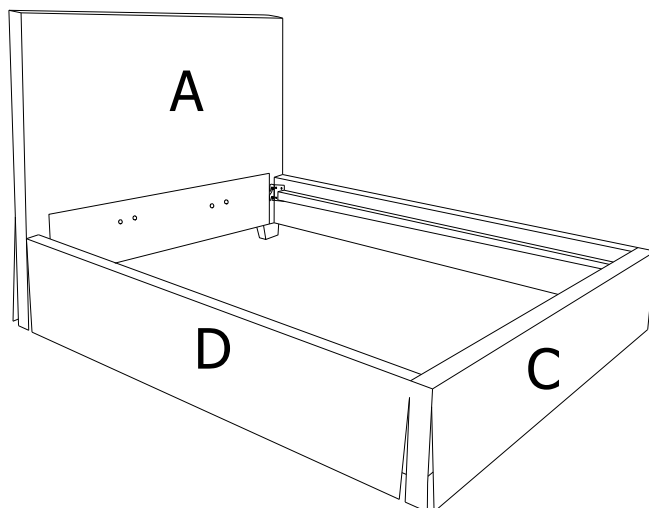
STEP 4 :



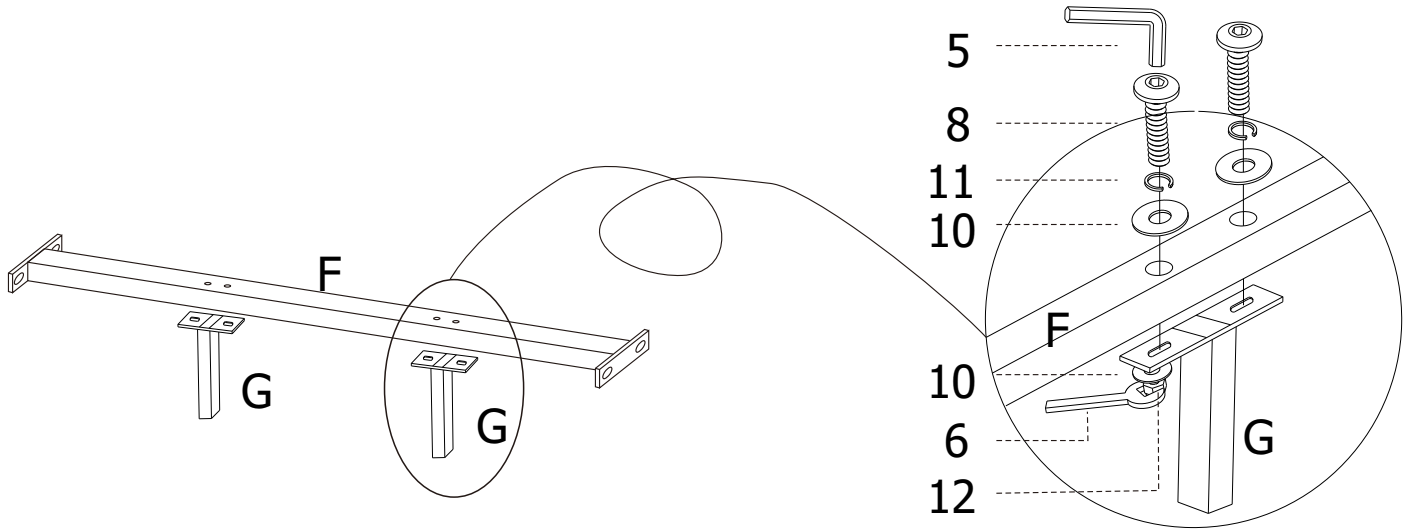
STEP 5 :



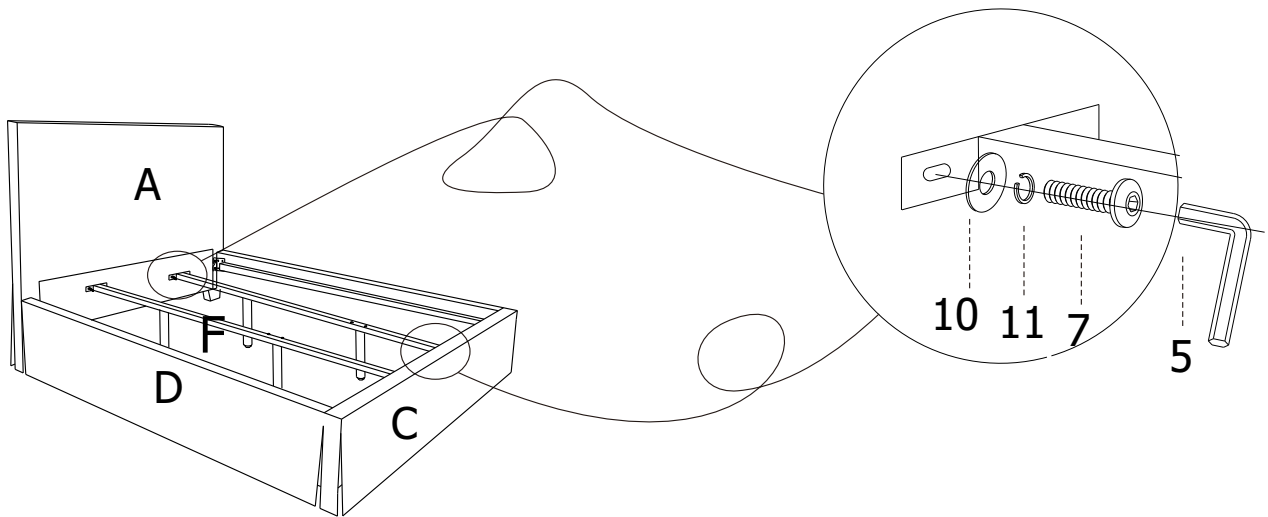
STEP 6 :



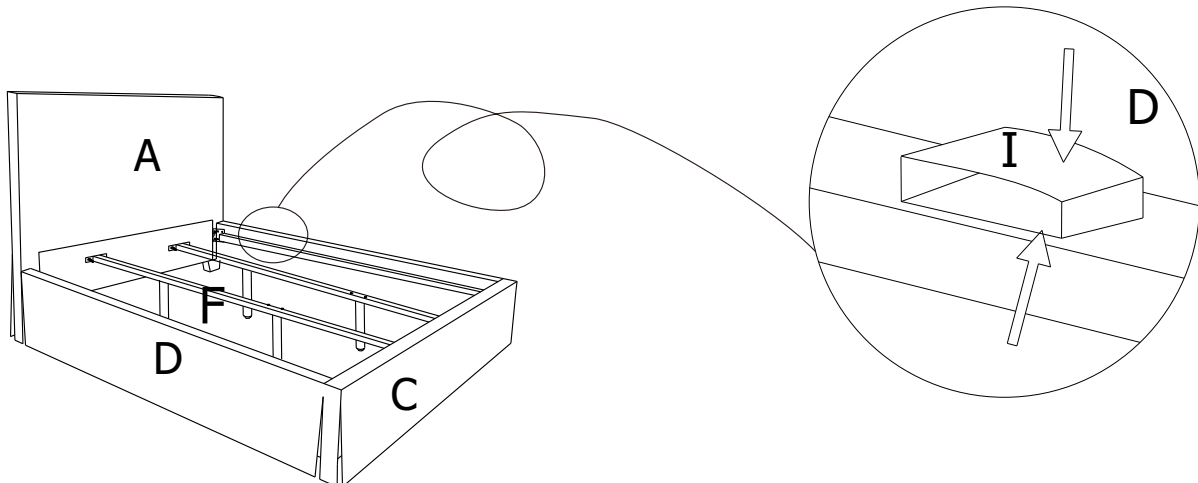
STEP 7 :



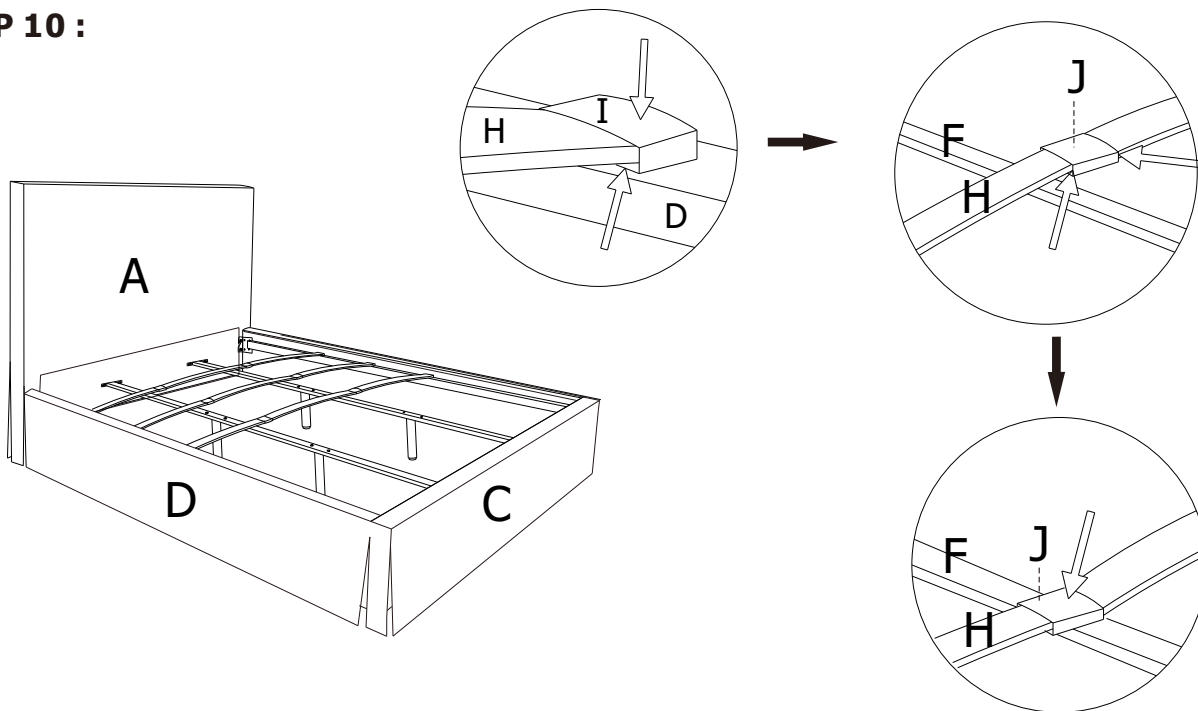
STEP 8 :



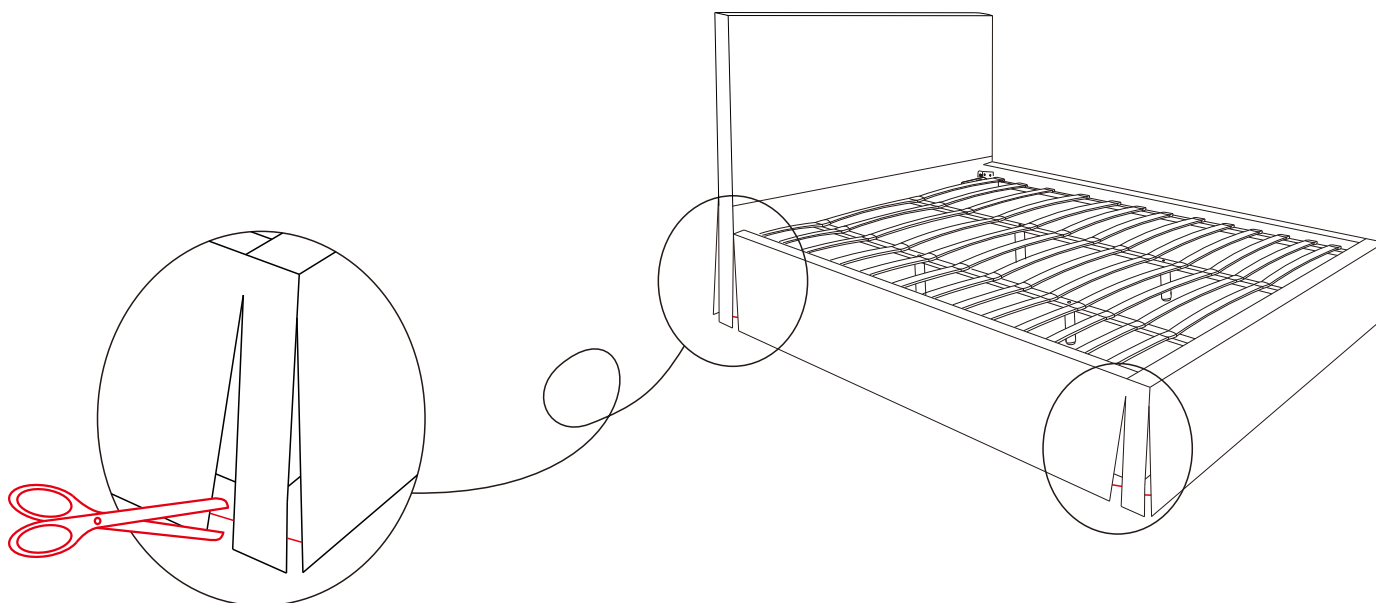
STEP 9 :STARTING FROM HEADBOARD



STEP 10 :



STEP 11 :FOR FABRIC TO LAY CORRECTLY CUT THREADS SECURING PLEATS.

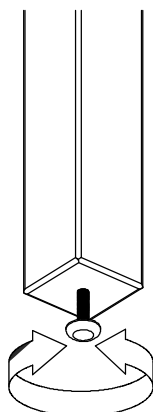


INSTRUCTIONS FOR ADJUSTING LEVELERS :

POSITION THE BED IN YOUR ROOM. LOCATE LEVELERS UNDER EACH SUPPORT LEG (G).

TURN COUNTER-CLOCKWISE TO EXTEND, CLOCKWISE TO CONTRACT.

ADJUST LEVELERS UNTIL EACH LEG SUPPORT IS APPLYING EQUAL UPWARD PRESSURE ON THE CENTER SLAT.



MAINTENANCE INSTRUCTIONS :

- REMOVE BOX SPRING AND MATTRESS BEFORE MOVING YOUR BED.
- LIFT YOUR BED WHEN MOVING IT. DRAGGING CAN DAMAGE CENTER SUPPORT.
- READJUST LEVELERS AFTER MOVING YOUR BED.