


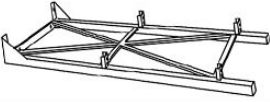
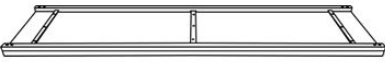



ASSEMBLY INSTRUCTIONS

Parts required

1		Bolt	Φ6*10MML	16pcs
2		Bolt	Φ6*16MML	8pcs
3		Allen wrench		1pc

A		2pcs
B		2pcs
C		1pc

