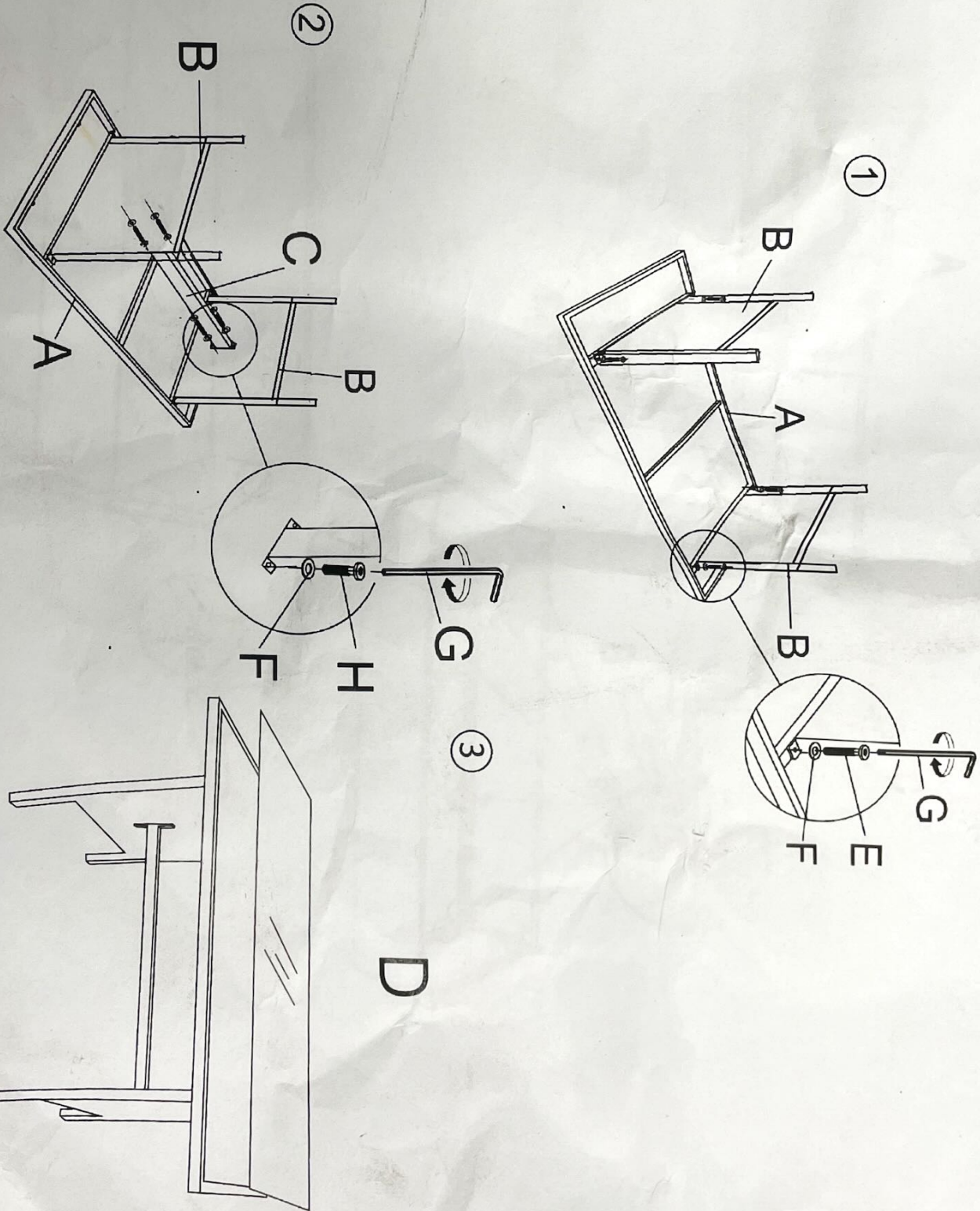






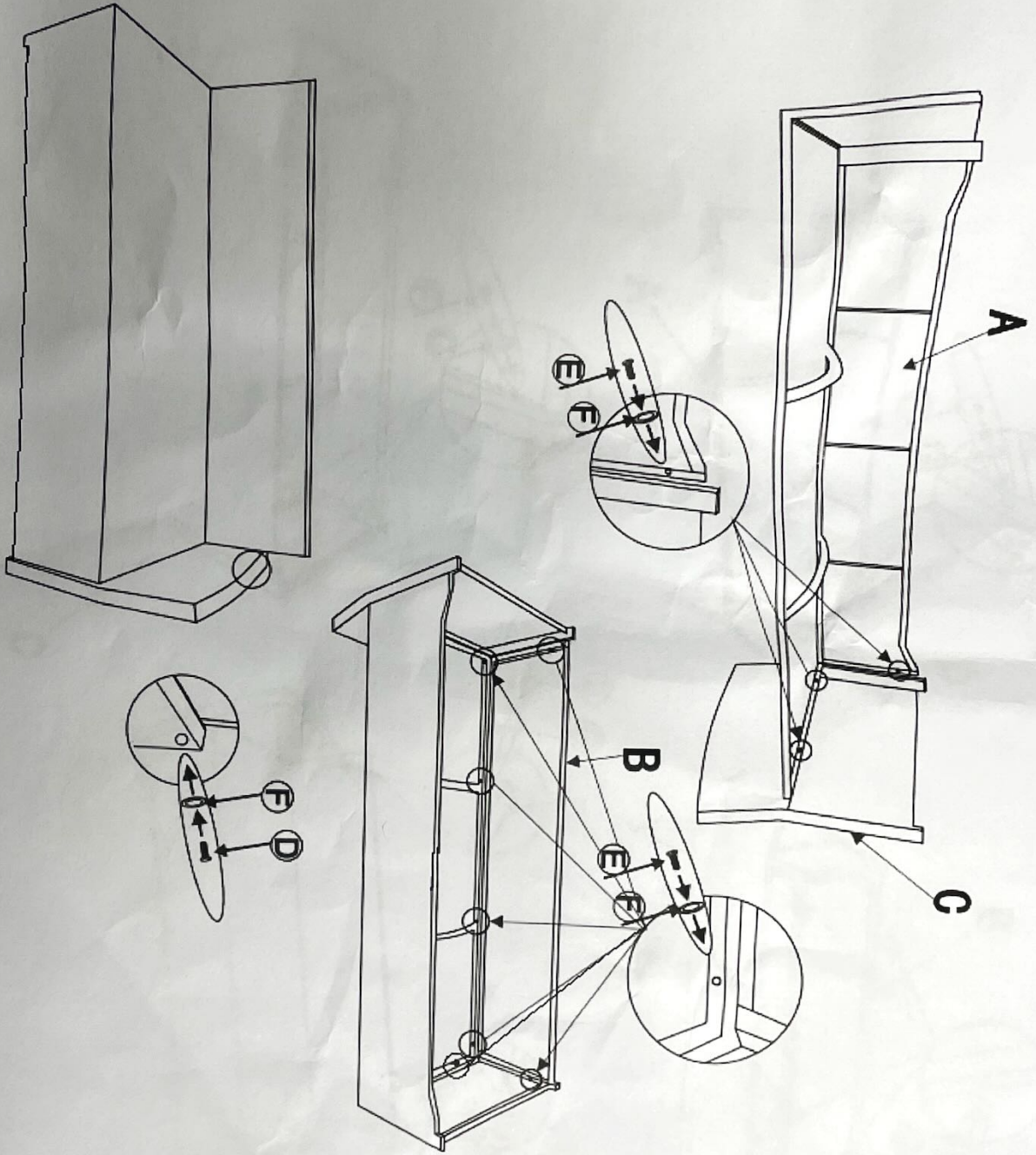




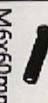
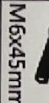
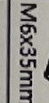
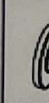
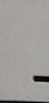


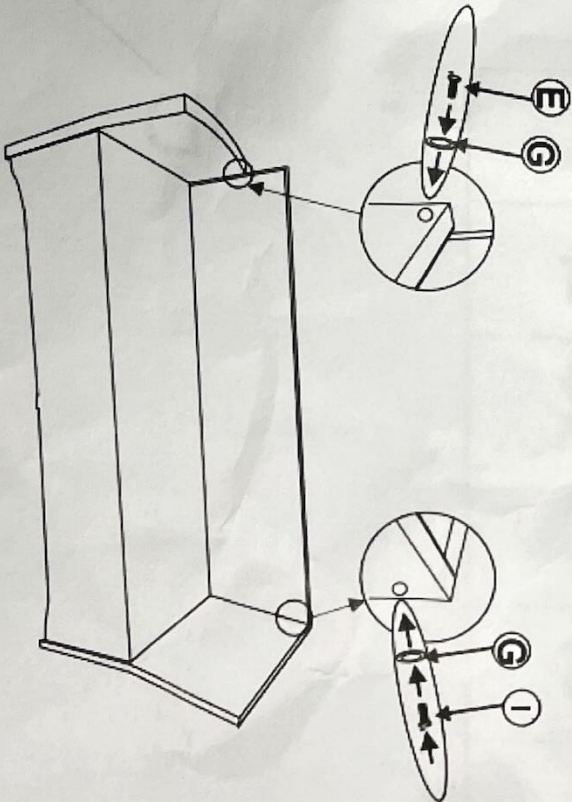
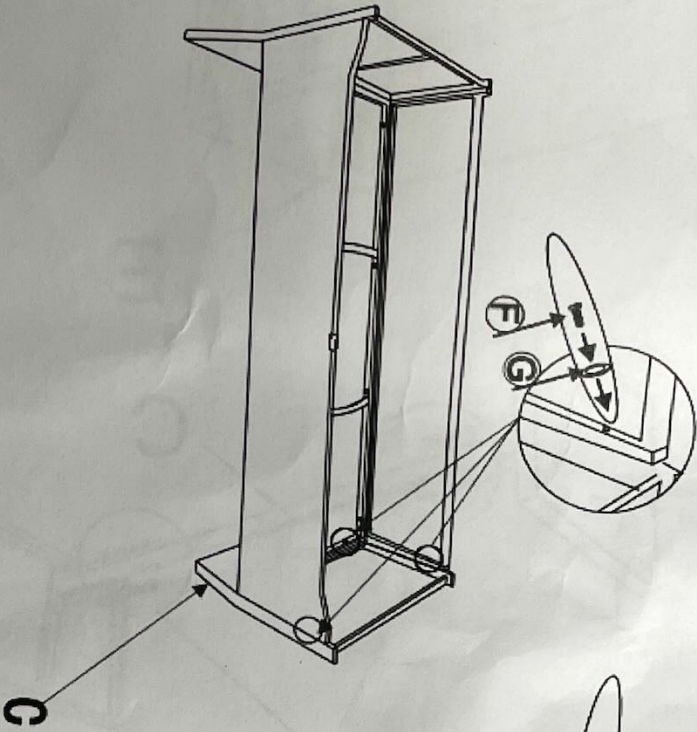
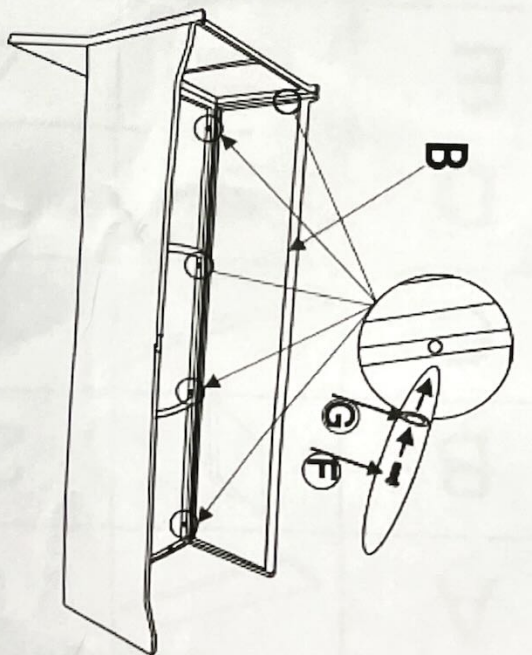
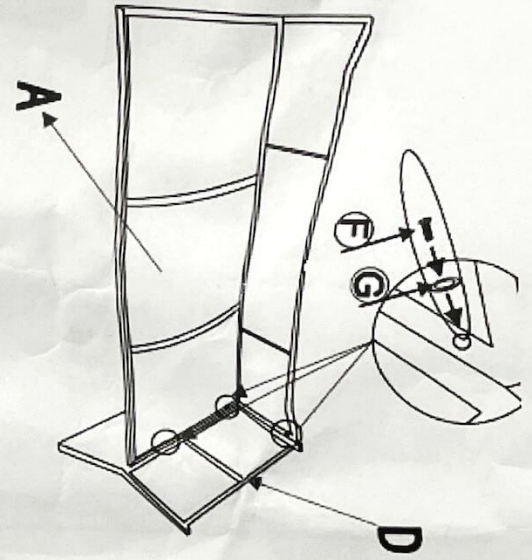
A		1
B		2
C		1
D		1
E		8
H		4
F		12
G		1




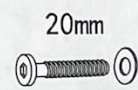




A		1
B		1
C		1
D	 M6 x 60mm	1
E	 M6 x 35mm	10
F		11



A		1
B		1
C		1
D		1
E	 M6x60mm	1
I	 M6x45mm	1
F	 M6x35mm	12
G		14
H		1



A		1
B		2
C		1
D	 20mm	4
E	 35mm	4
F		1

