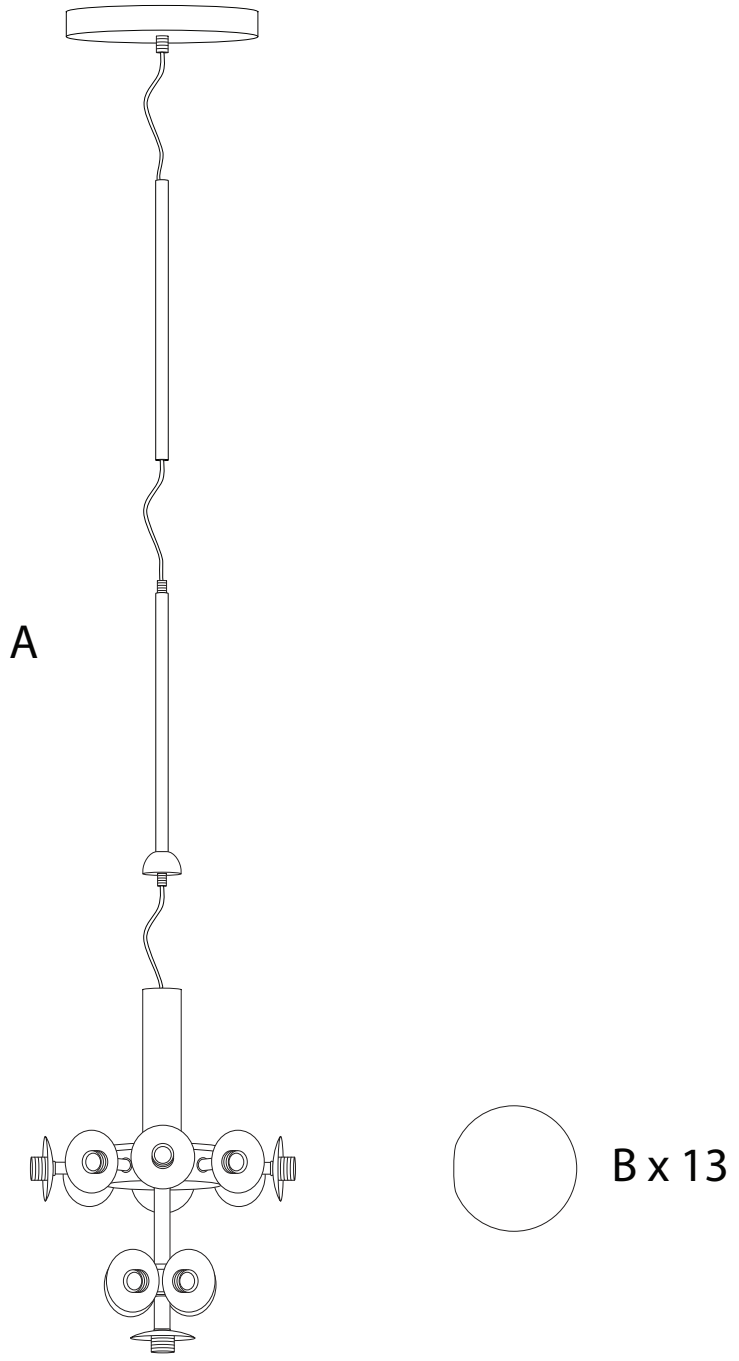
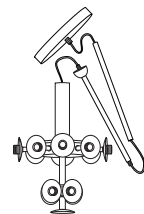
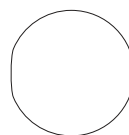
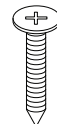



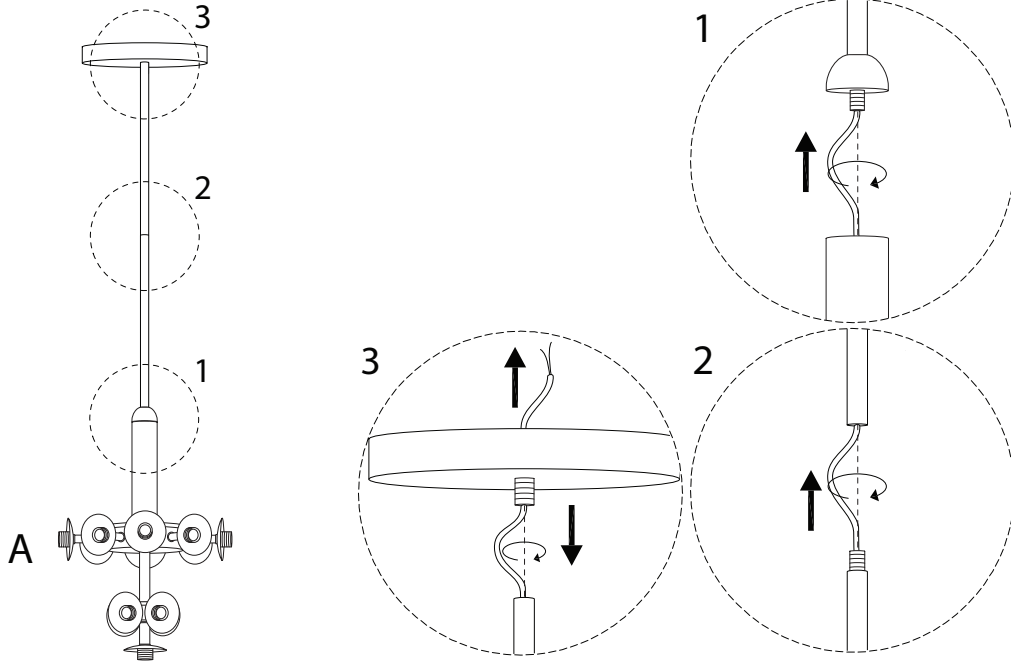
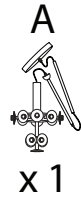
Assembly instructions for the chandelier:

- Tools:** A circular inset shows a screwdriver and a power drill. A warning triangle with an exclamation mark is positioned to the right.
- Time:** A clock icon is shown with the text "20'" below it, indicating the estimated assembly time.
- Warnings:** A circular inset shows a lightning bolt symbol, indicating electrical hazards. A warning triangle with an exclamation mark is positioned to the right.
- Personnel:** A person icon is shown with the number "1" below it, indicating that one person is required for assembly.

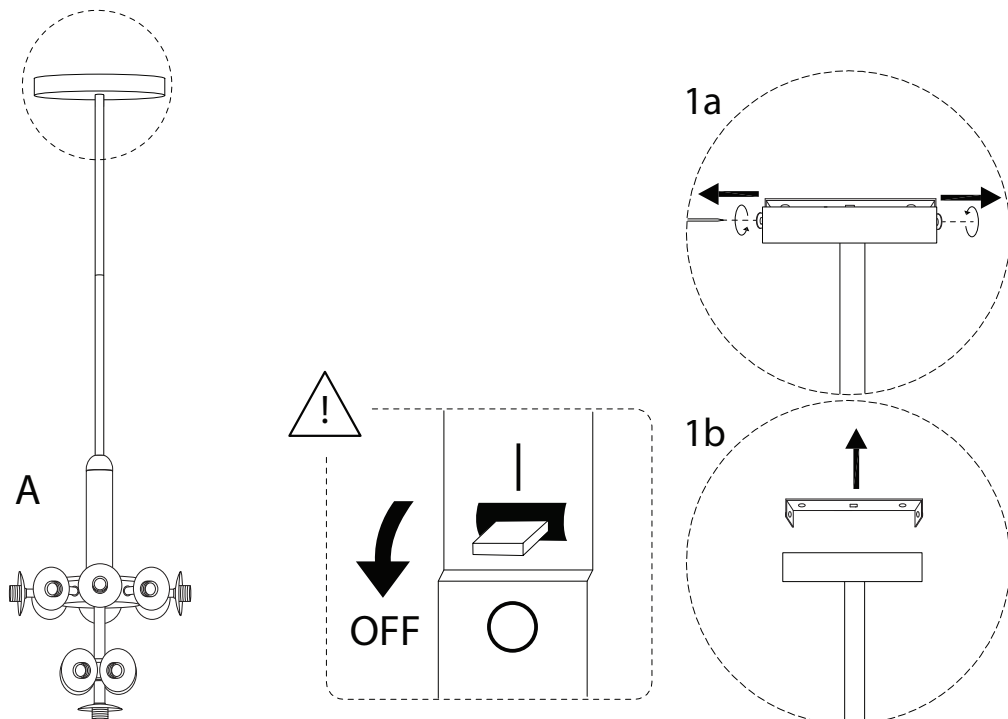


A	B	C	D
 <p>x 1</p>	 <p>x 13</p>	 <p>x 2</p>	 <p>x 2</p>

1



2



3

C

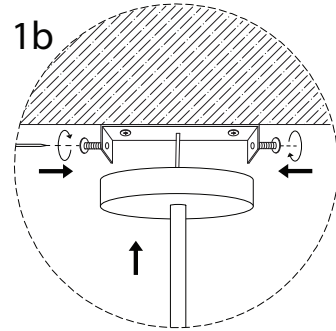
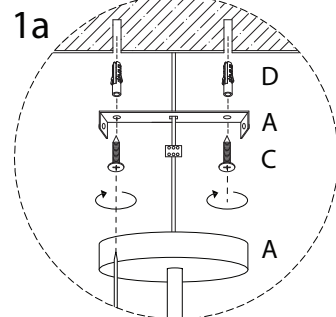
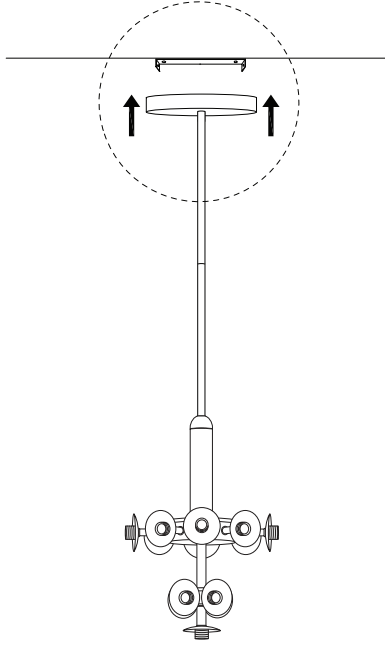


x 2

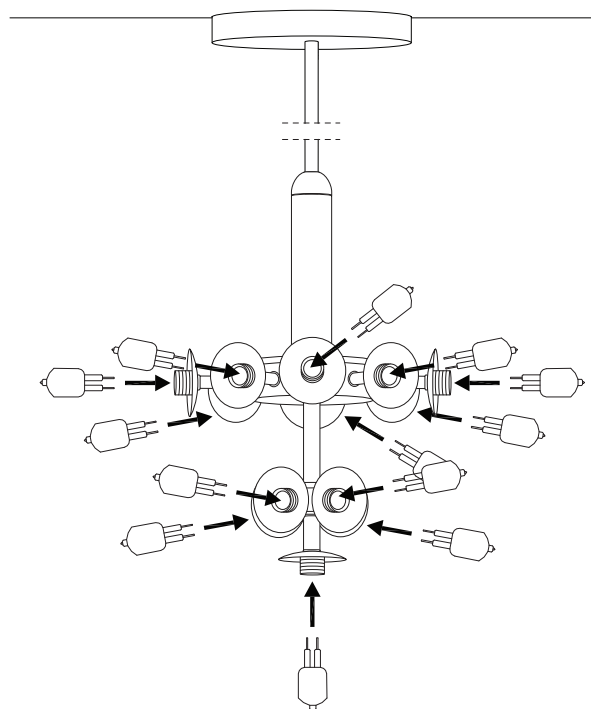
D



x 2



4



5

B



x 13

