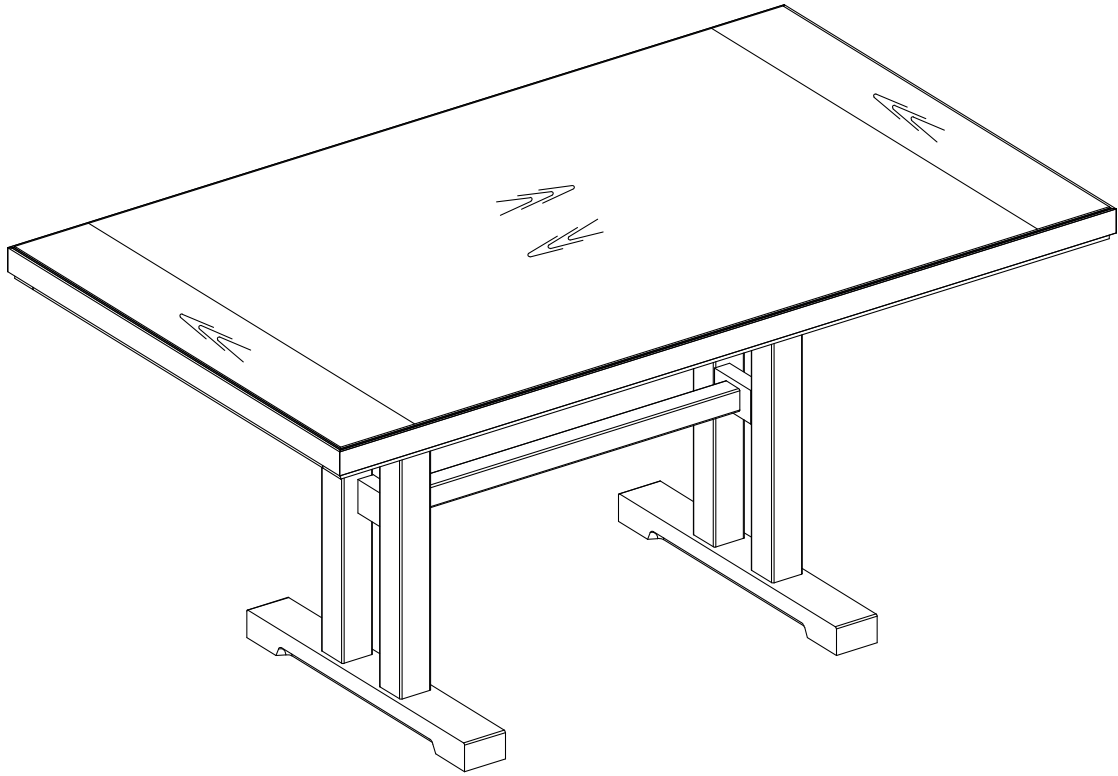


ASSEMBLY INSTRUCTION

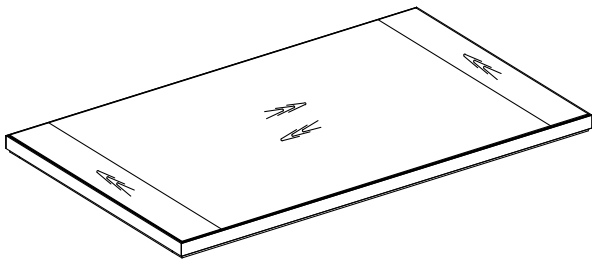


DARK BROWN RECT. DINING TABLE

Congratulations on your purchase.

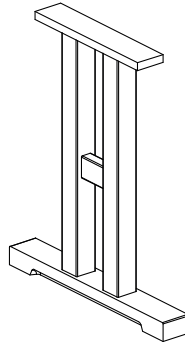
Rest assured only the finest materials, skilled artisans and modern engineering were used to carefully construct this exquisite piece.

PARTS LIST



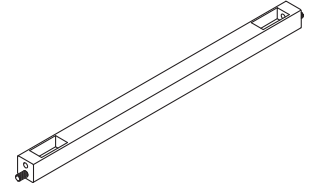
(A)

TABLE TOP
x 1 PC



(B)

TABLE LEGS
x 2 PCS



(C)

STRETCHER
x 1 PC

HARDWARE LIST

NO.	DESCRIPTION	SKETCH	QTY
1	ALLEN KEY 57mmL * 5mm		1 PC
2	SPRING WASHER Ø5/16" * 1.2mmT		10 PCS
3	FLAT WASHER Ø5/16" * 1.8mmT		10 PCS
4	ALLEN BOLT Ø5/16" * 38mmL		8 PCS
5	ALLEN BOLT Ø5/16" * 63mmL		2 PCS

STEP 1

Instructions:

Figure 1:

With assistance, align the holes in Stretcher(C) line-up with the holes in Table Leg(B) as shown in diagram. Secure the parts together with Allen Bolt(5), Spring Washer(2) and Flat Washer(3) by using Allen Key(1).

Fully tighten all bolts.

Repeat this assembly step to attach the Stretcher(C) to the remaining Table leg(B).

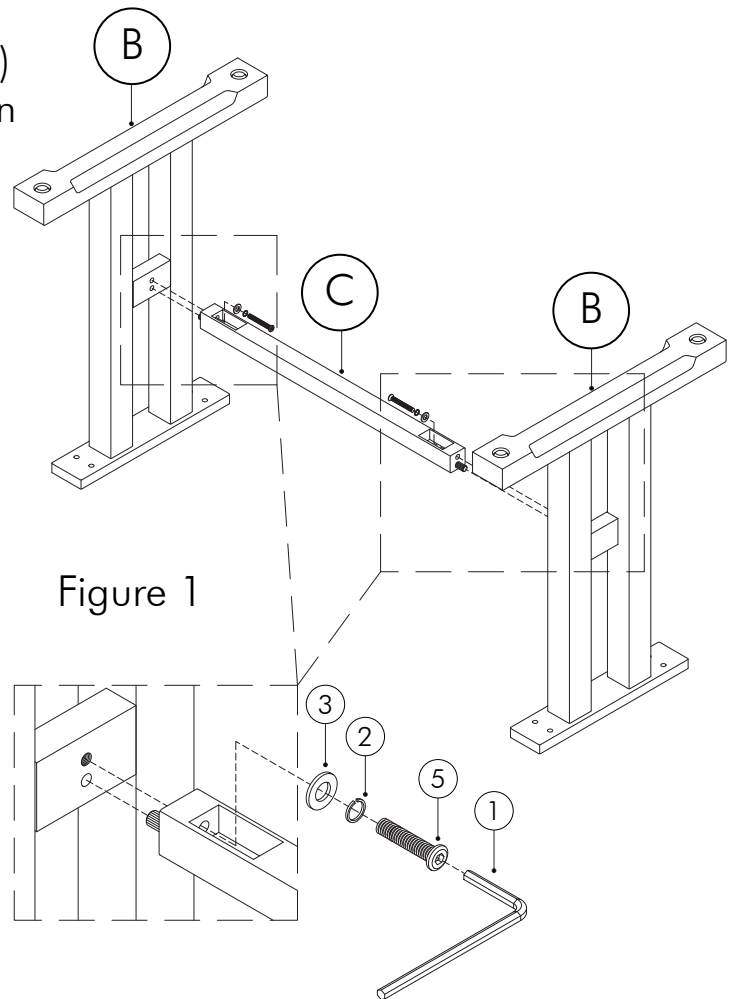


Figure 1

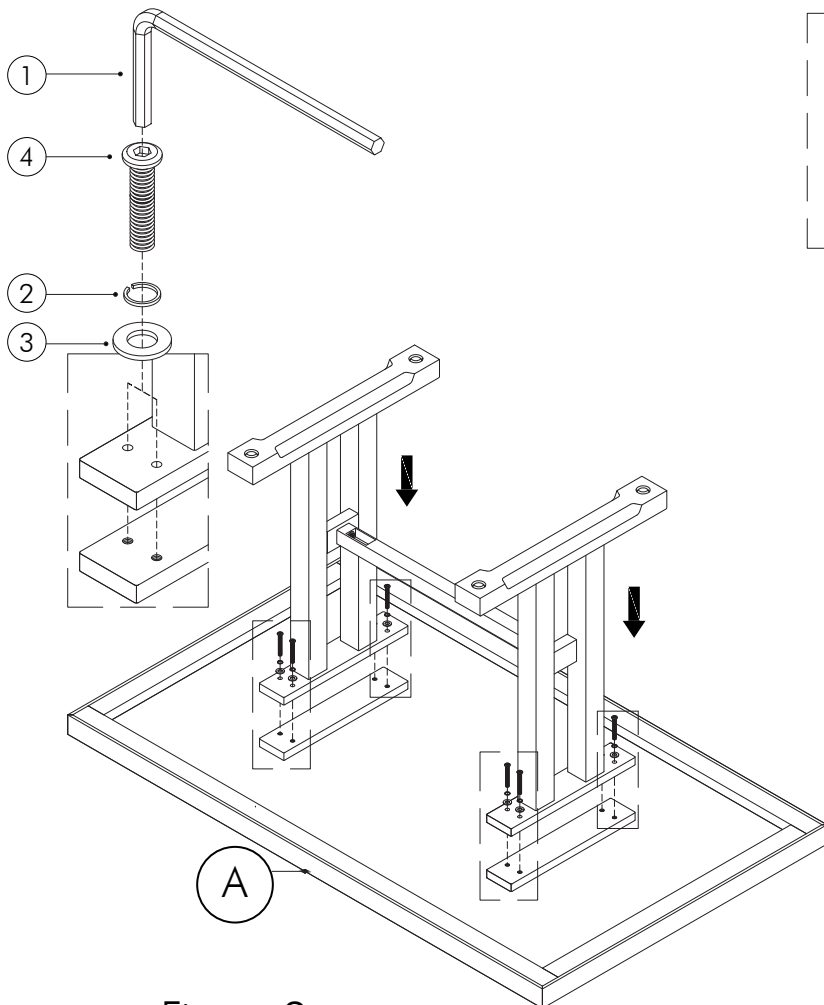


Figure 2

Figure 2:

With assistance, carefully place the Table Top(A) onto it's top as shown.

Overturn the assembled Table Leg, align the holes on the top of Table Legs(B) and slide into place.

Secure the Table Leg(B) to Table Top(A) with Allen Bolt(5), Spring Washer(2) and Flat Washer(3) by using Allen Key(1). Fully tighten all the bolts.

Repeat this assembly step to attach for the remaining Table Leg.

ASSEMBLY IS COMPLETED

With assistance, return the assembled Dining Table upright and place into the desired position.

