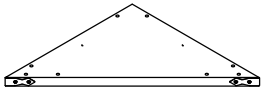


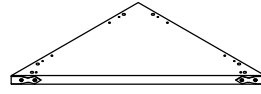
# PARTS LIST



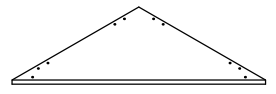
①X1



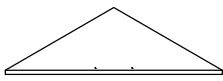
②X1



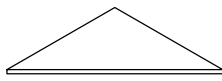
③X1



④X1



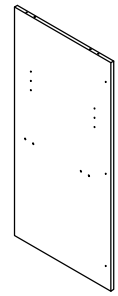
⑤X1



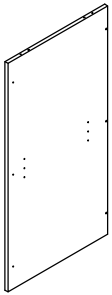
⑥X2



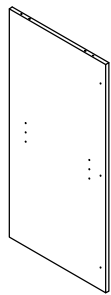
⑦X1



⑧X1



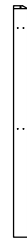
⑨X1



⑩X1



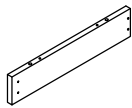
⑪X1



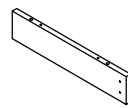
⑫X1



⑬X2



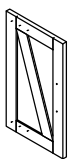
⑭X1



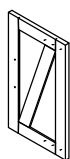
⑮X1



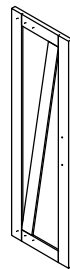
⑯X1



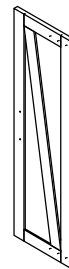
⑰X1



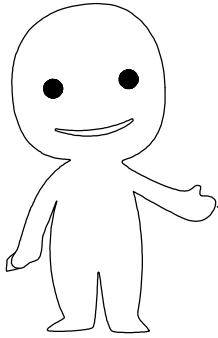
⑱X1



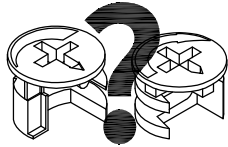
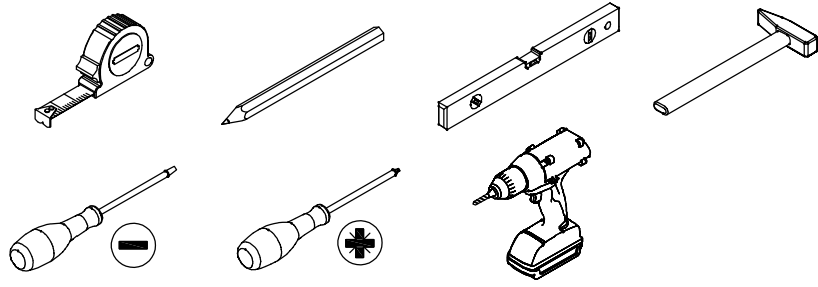
⑲X1



⑳X1



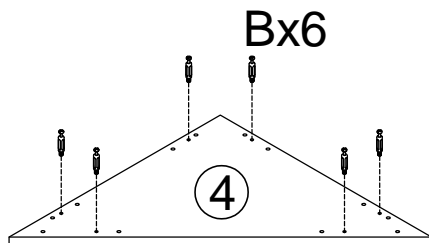
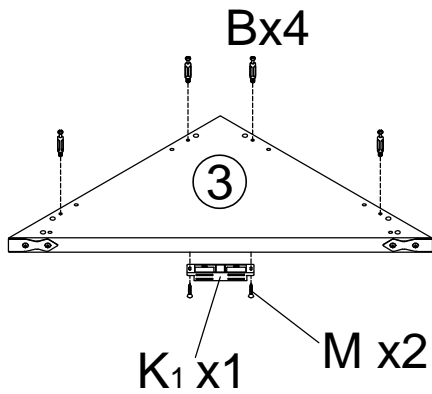
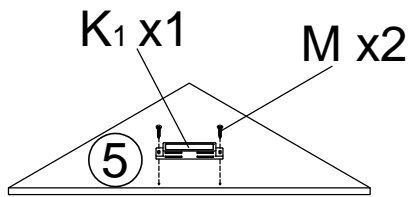
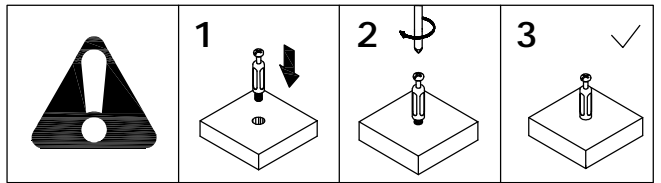
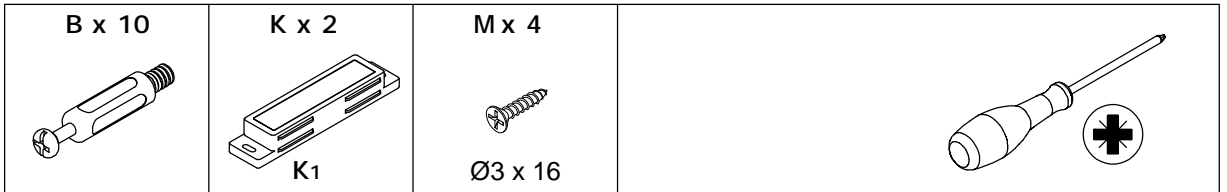
Please prepare the following tools



When installing, please carefully confirm whether each screw corresponds to the manual, accessories with similar shapes can be distinguished by size


<p><b>A x 10+2</b></p> <p>Ø15 x 9.5 mm</p>	<p><b>B x 10+2</b></p>	<p><b>C x 10+2</b></p>	<p><b>D x 32+2</b></p> <p>Ø6 x 30 mm</p>
<p><b>E x 32+2</b></p> <p>Ø5 x 40 mm</p>	<p><b>F x 8</b></p>	<p><b>G x 40+2</b></p> <p>Ø3.5 x 12</p>	<p><b>H x 4</b></p>
<p><b>I x 8</b></p> <p>M4 x 18</p>	<p><b>J x 8</b></p> <p>Ø5 x 15</p>	<p><b>K x 2</b></p> <p>K1 K2</p>	<p><b>L x 4</b></p> <p>Ø3 x 12</p>
<p><b>M x 4</b></p> <p>Ø3 x 16</p>	<p><b>N x 16+2</b></p> <p>Ø3.5 x 25</p>	<p><b>O x 2</b></p> <p>O1 O2 O3 O4 Ø4 x 15 Ø4 x 40</p>	<p><b>P x 4</b></p>


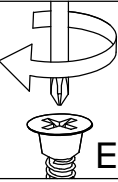
1

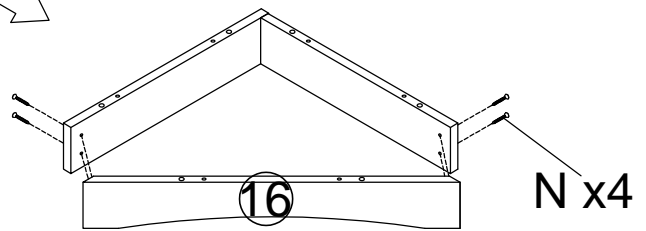
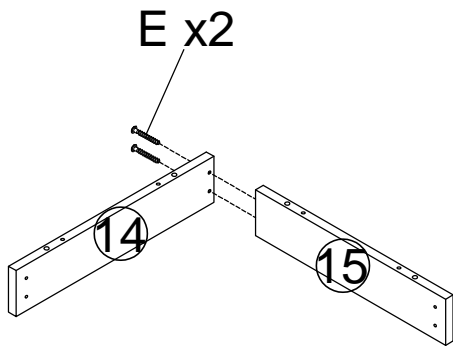





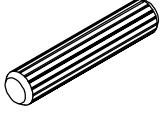

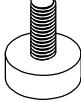
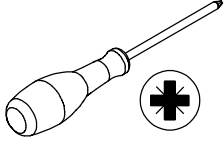


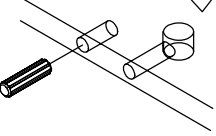
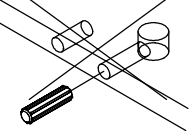
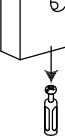
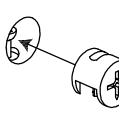
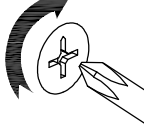
3

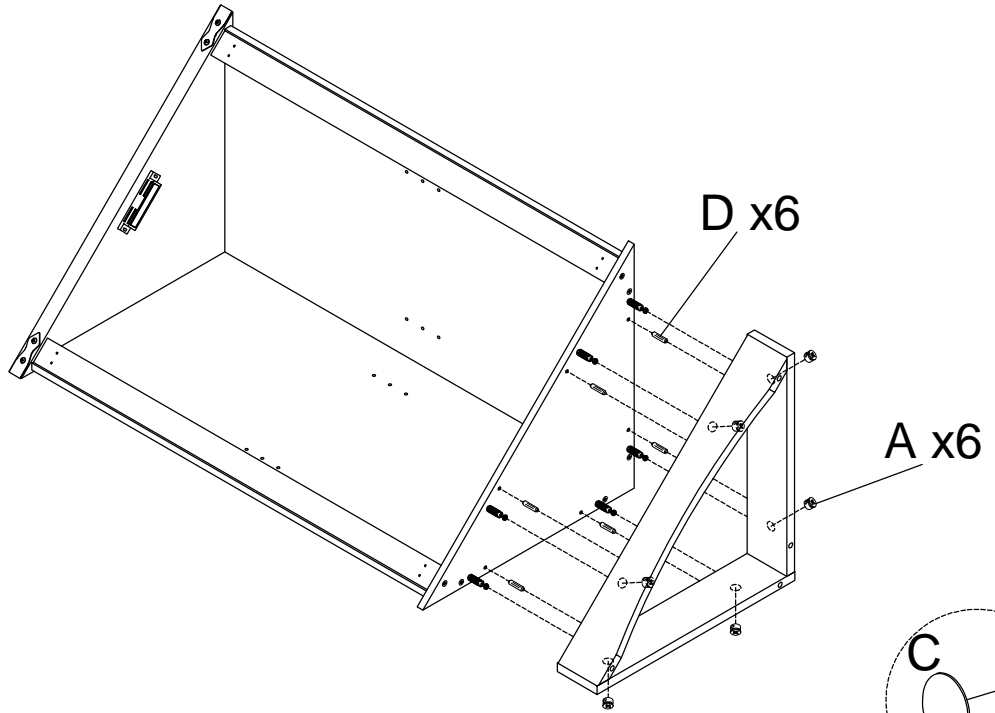
<p>E x 2</p>  <p>Ø5 x40 mm</p>	<p>N x 4</p>  <p>Ø3.5 x 25</p>	 
---	---	---

	 <p>E</p>
---	--

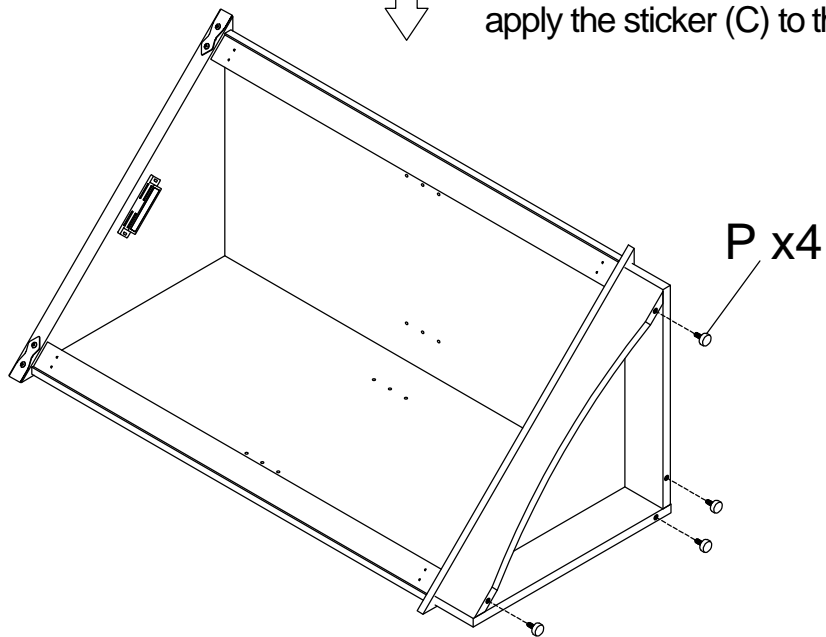
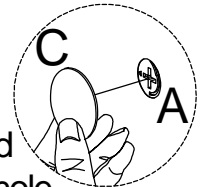


4

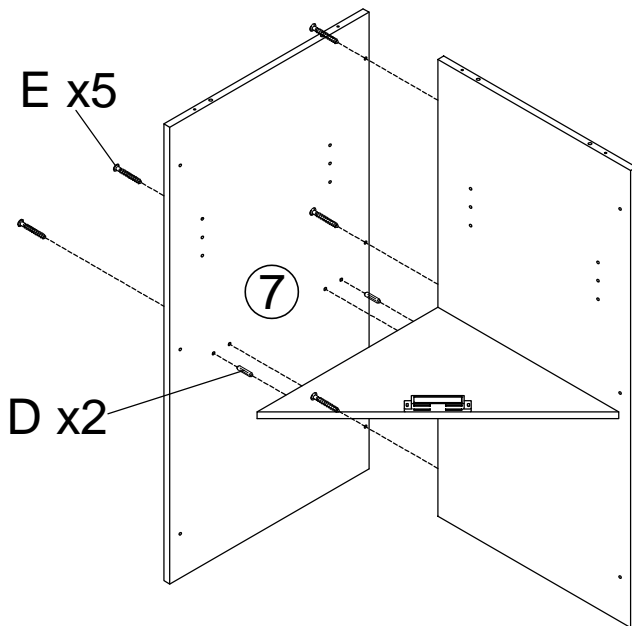
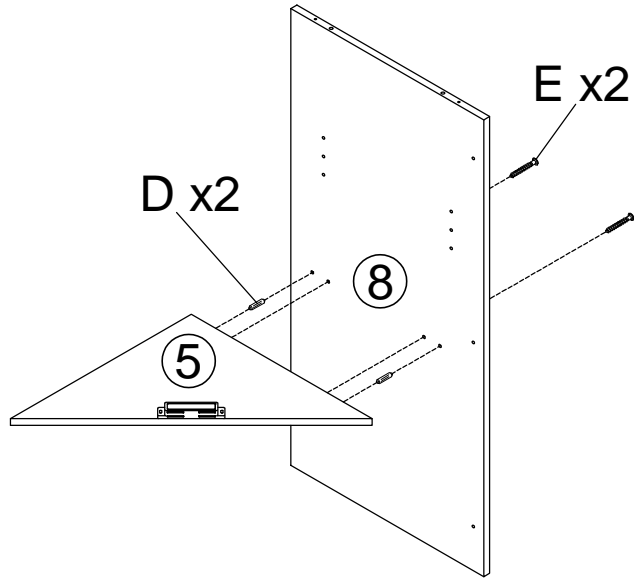
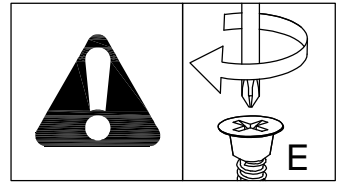
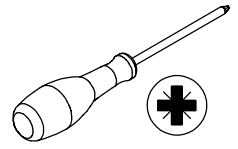
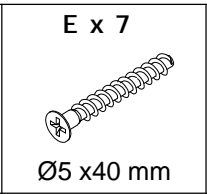
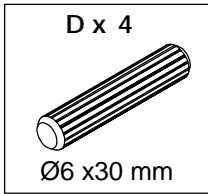
<p>A x 6</p>  <p>Ø15 x 9.5 mm</p>	<p>D x 6</p>  <p>Ø6 x30 mm</p>	<p>C x 6</p> 	<p>P x 4</p> 	 	
					



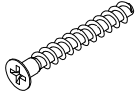
Tighten the three in one and apply the sticker (C) to the hole.

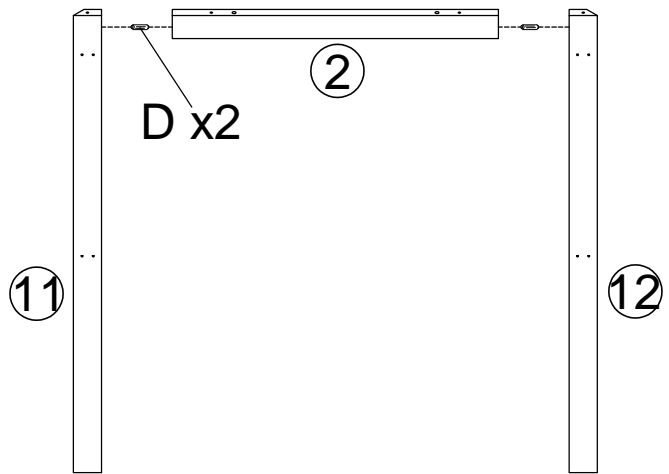
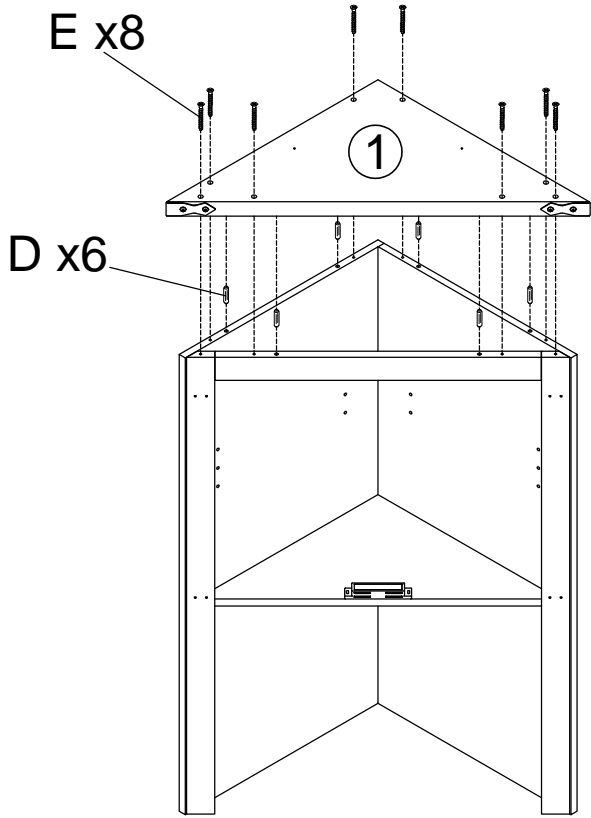
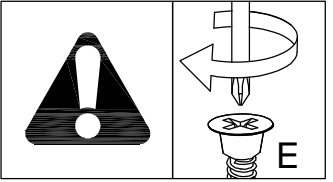


5


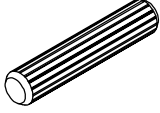

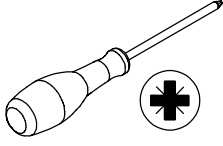


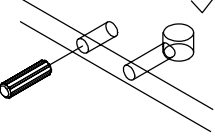
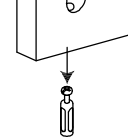
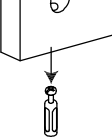
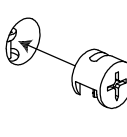



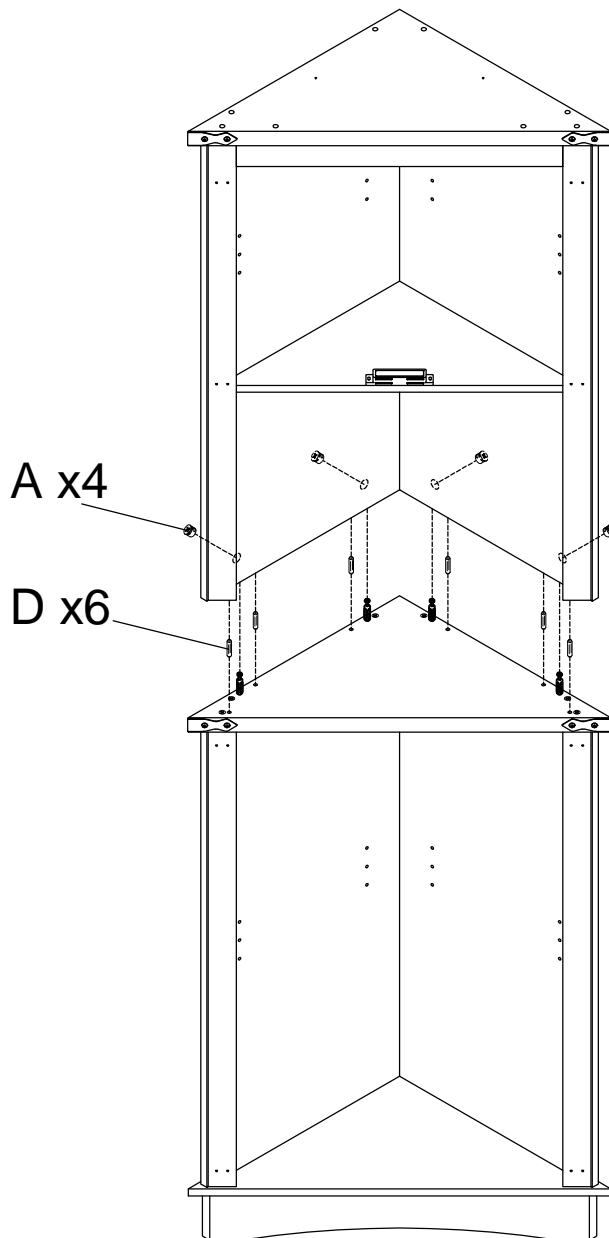
6

<p>D x 8</p>  <p>Ø6 x30 mm</p>	<p>E x 8</p>  <p>Ø5 x40 mm</p>	
---	---	--

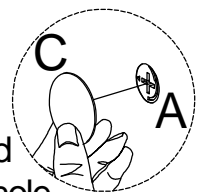


7

<p>A x 4</p>  <p>Ø15 x 9.5 mm</p>	<p>D x 6</p>  <p>Ø6 x 30 mm</p>	<p>C x 4</p> 	 		
					



Tighten the three in one and apply the sticker (C) to the hole.

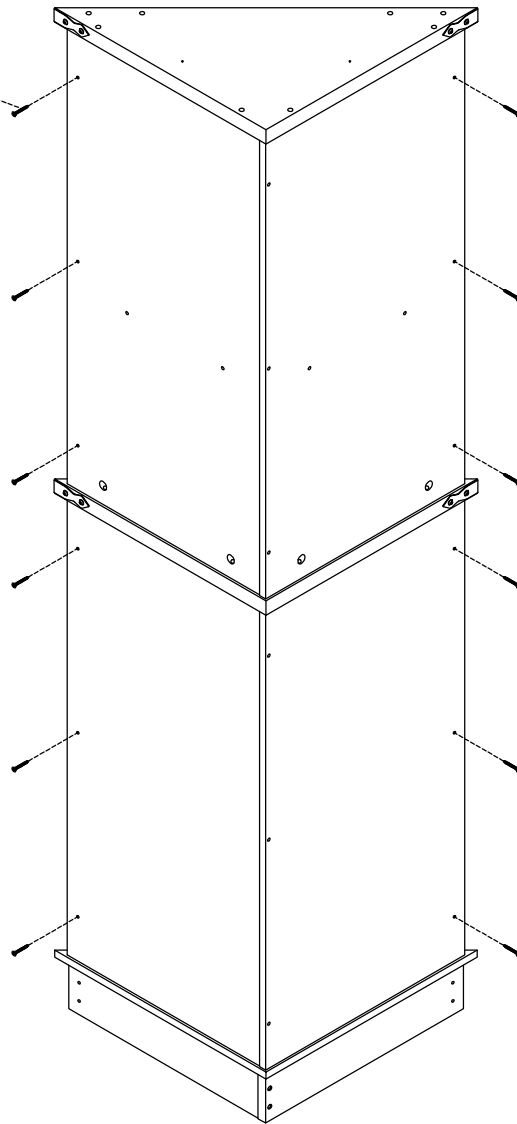
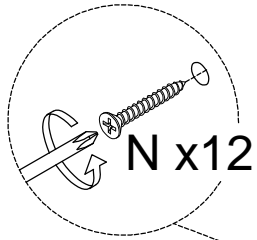
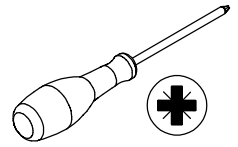


8

N x 12



Ø3.5 x 25

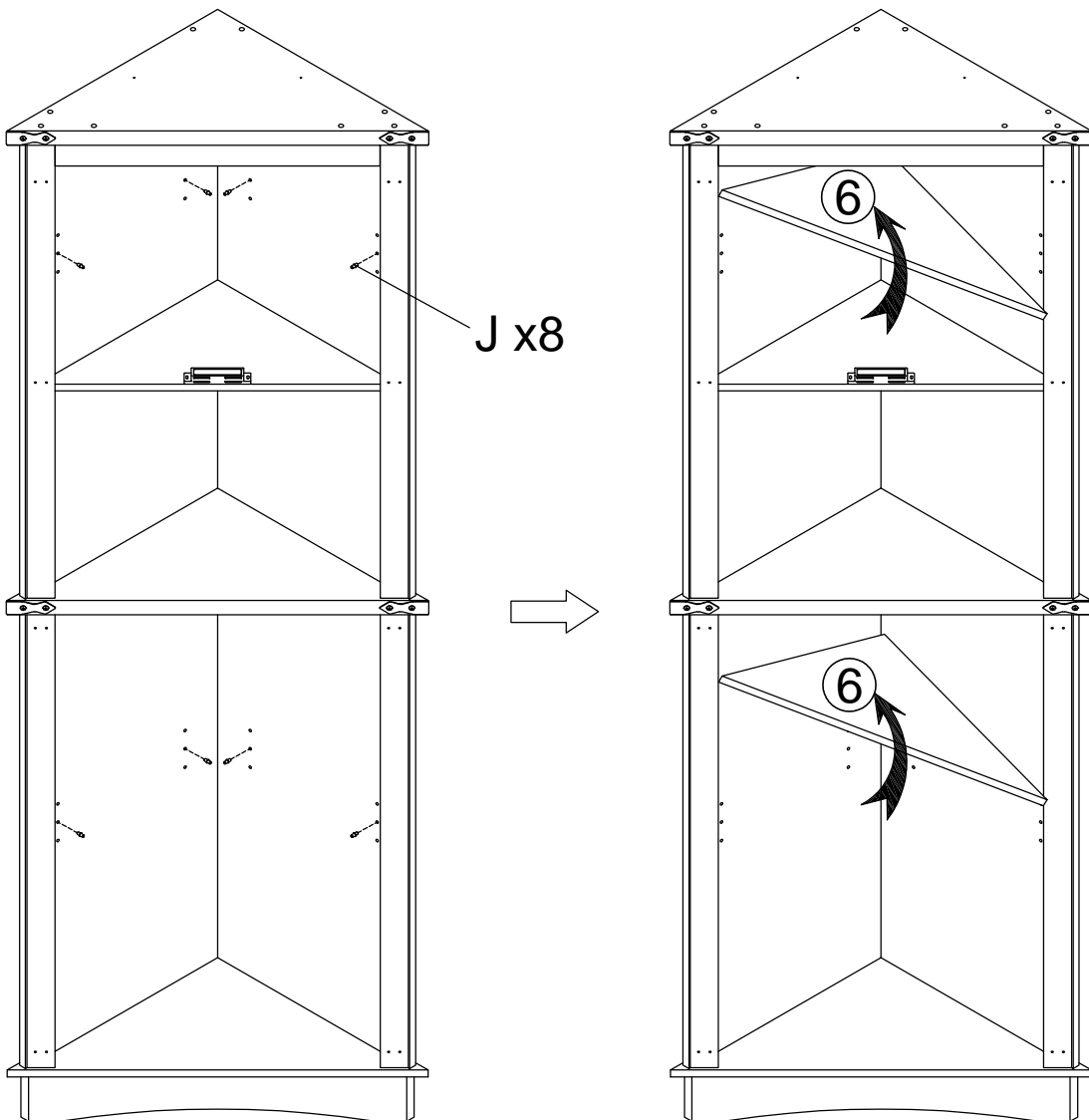


9

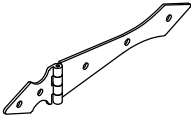
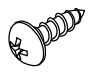




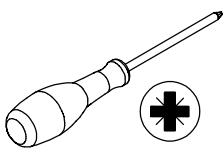
J x 8

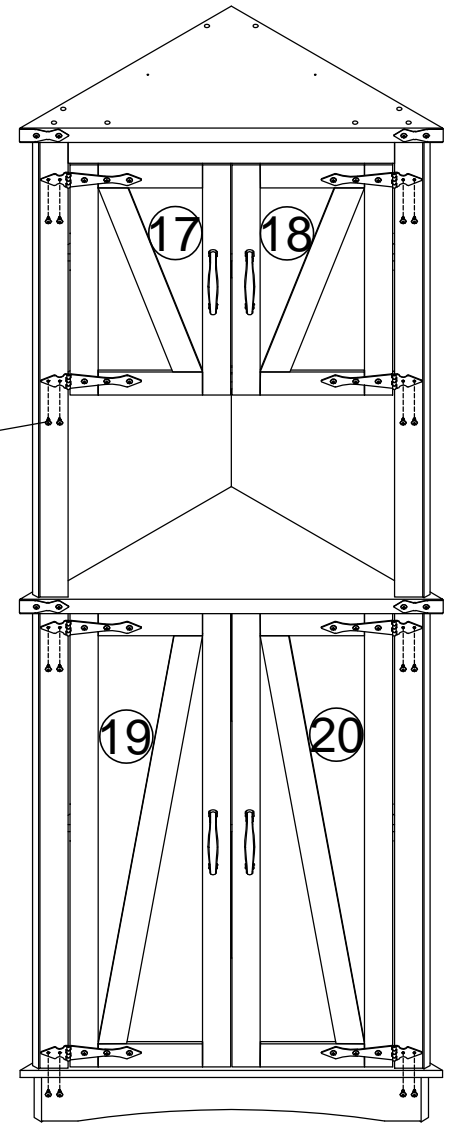
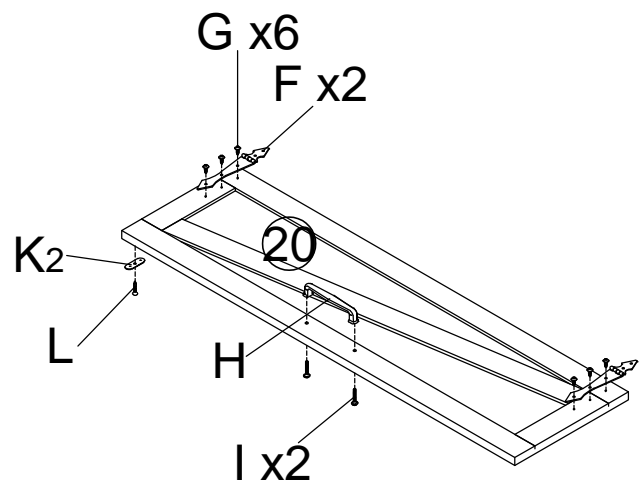
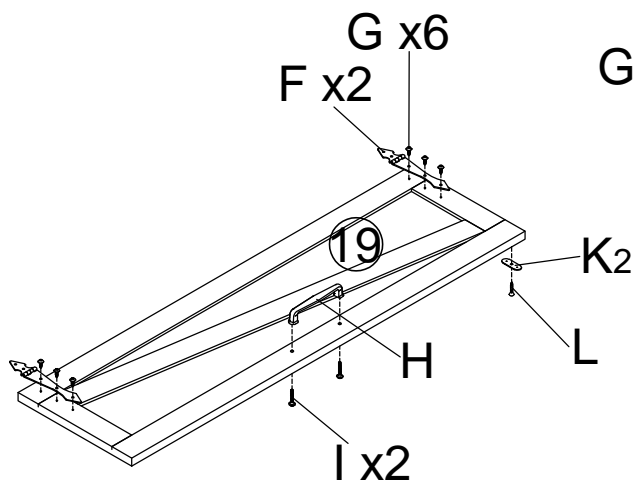
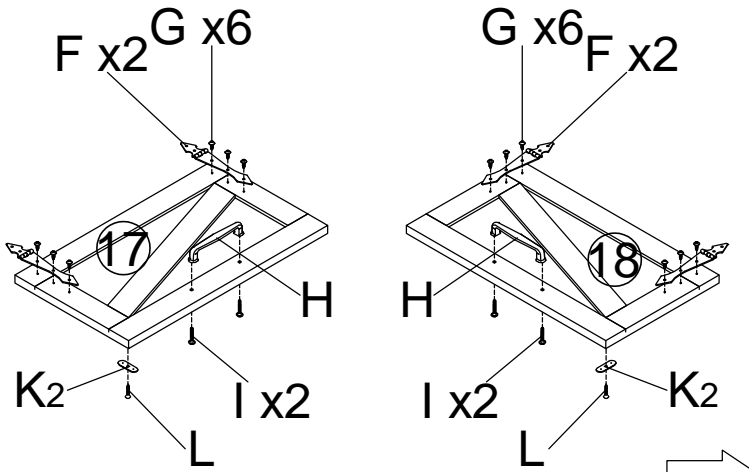


Ø5 x 15



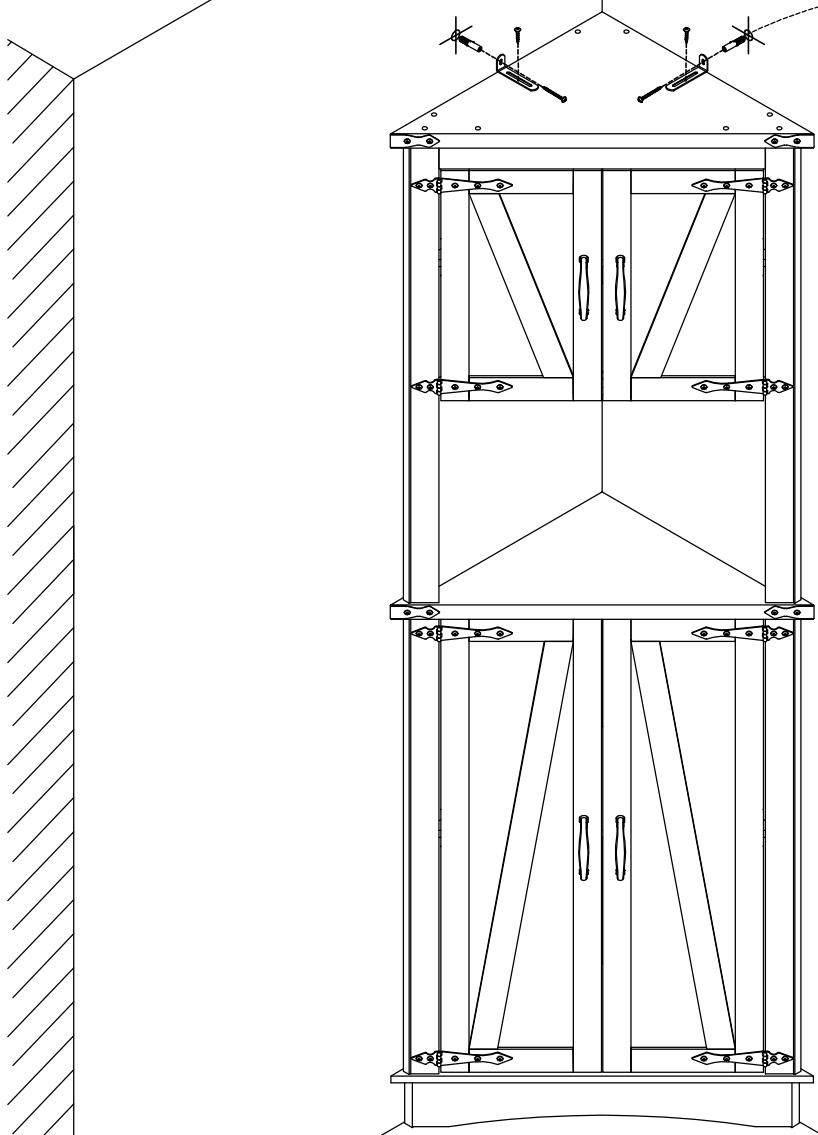
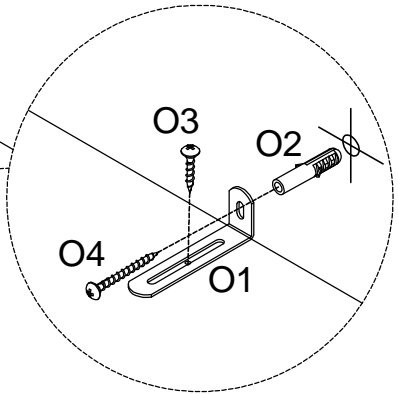
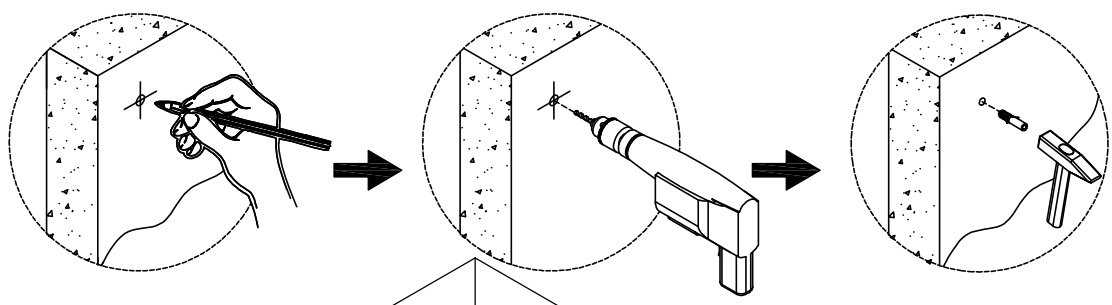
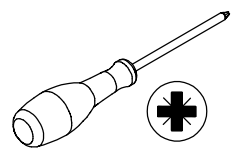
10

F x 8 	G x 40 	H x 4 	I x 8 M4 x 18 	K x 4 K2 	L x 4 Ø3 x 12 	
--	---	--	---	--	---	---



1 1

- O x 2
- O1
- O2
- O3  $\varnothing 4 \times 15$
- O4  $\varnothing 4 \times 40$



Final Assembly