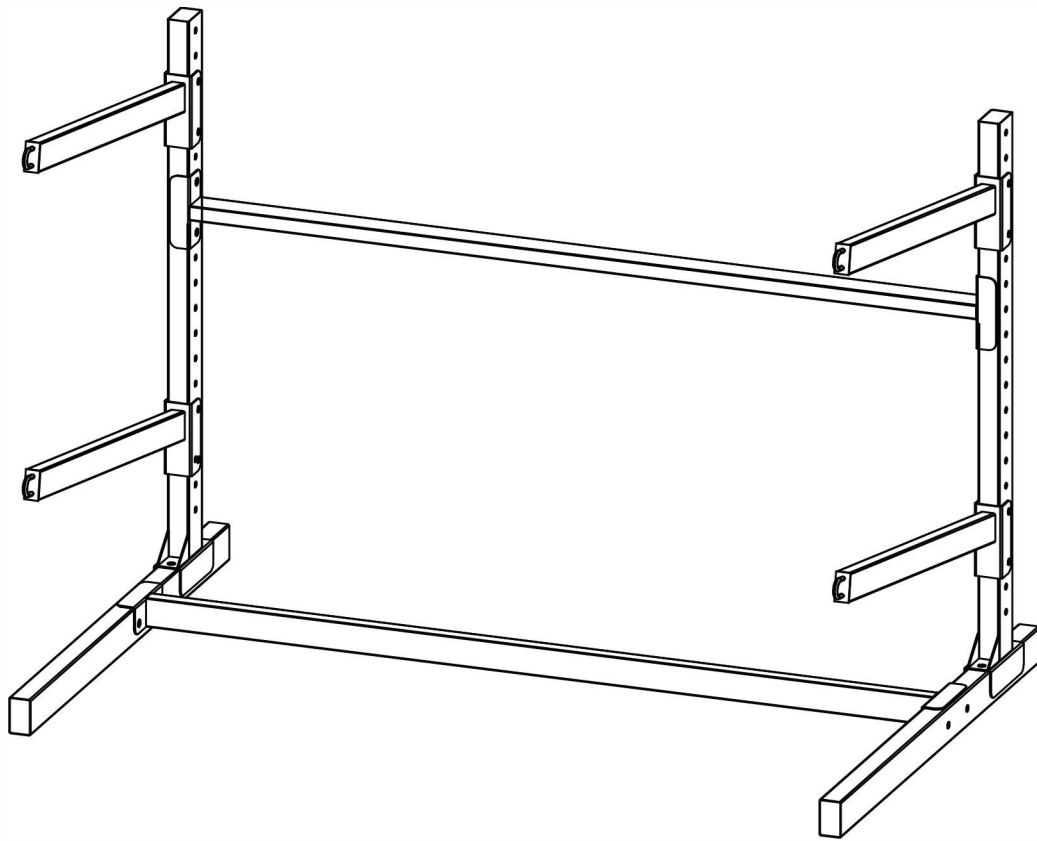
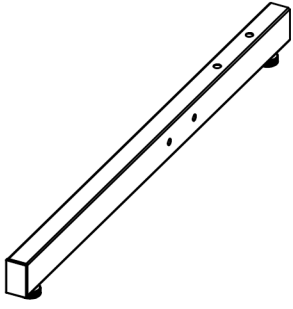


ASSEMBLY INSTRUCTION

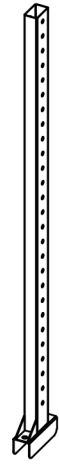


A



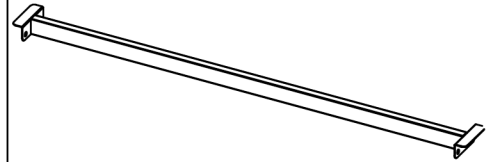
x2

B



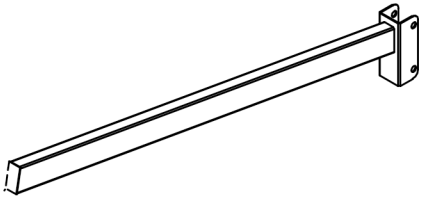
x2

C



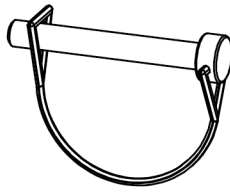
x2

D



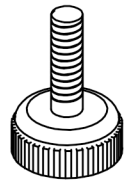
x4

E



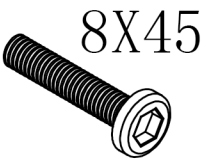
x8

F



x4

G



x8

H



x12

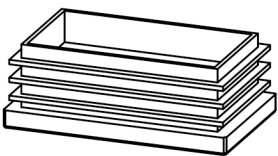
I



x4

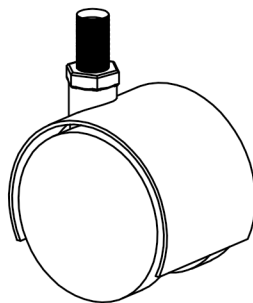
J

30 × 50



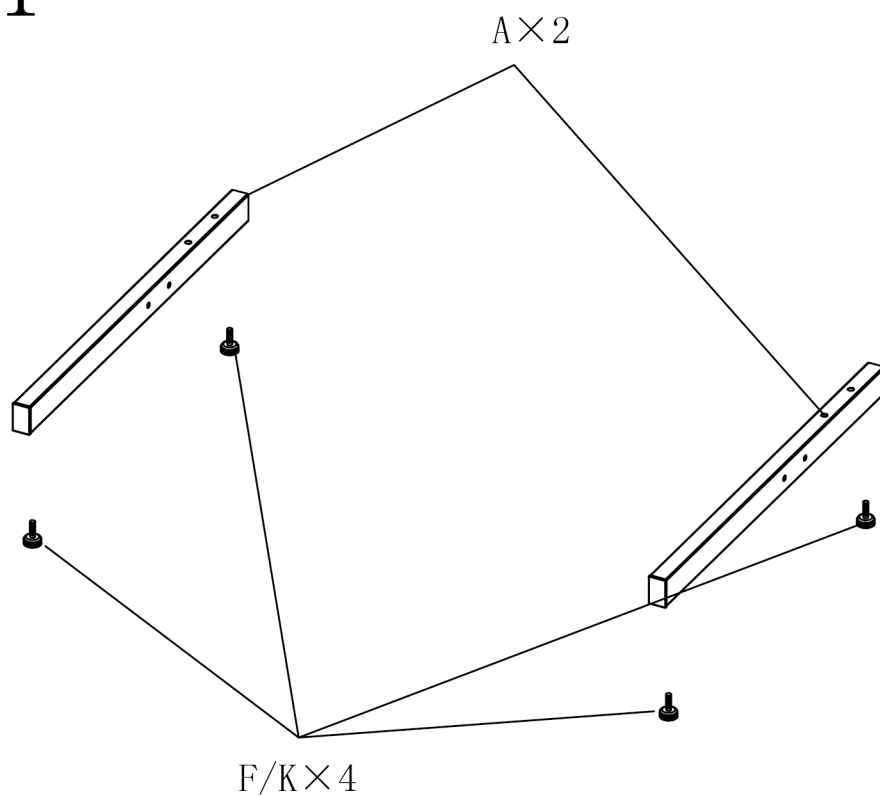
x6

K



x4

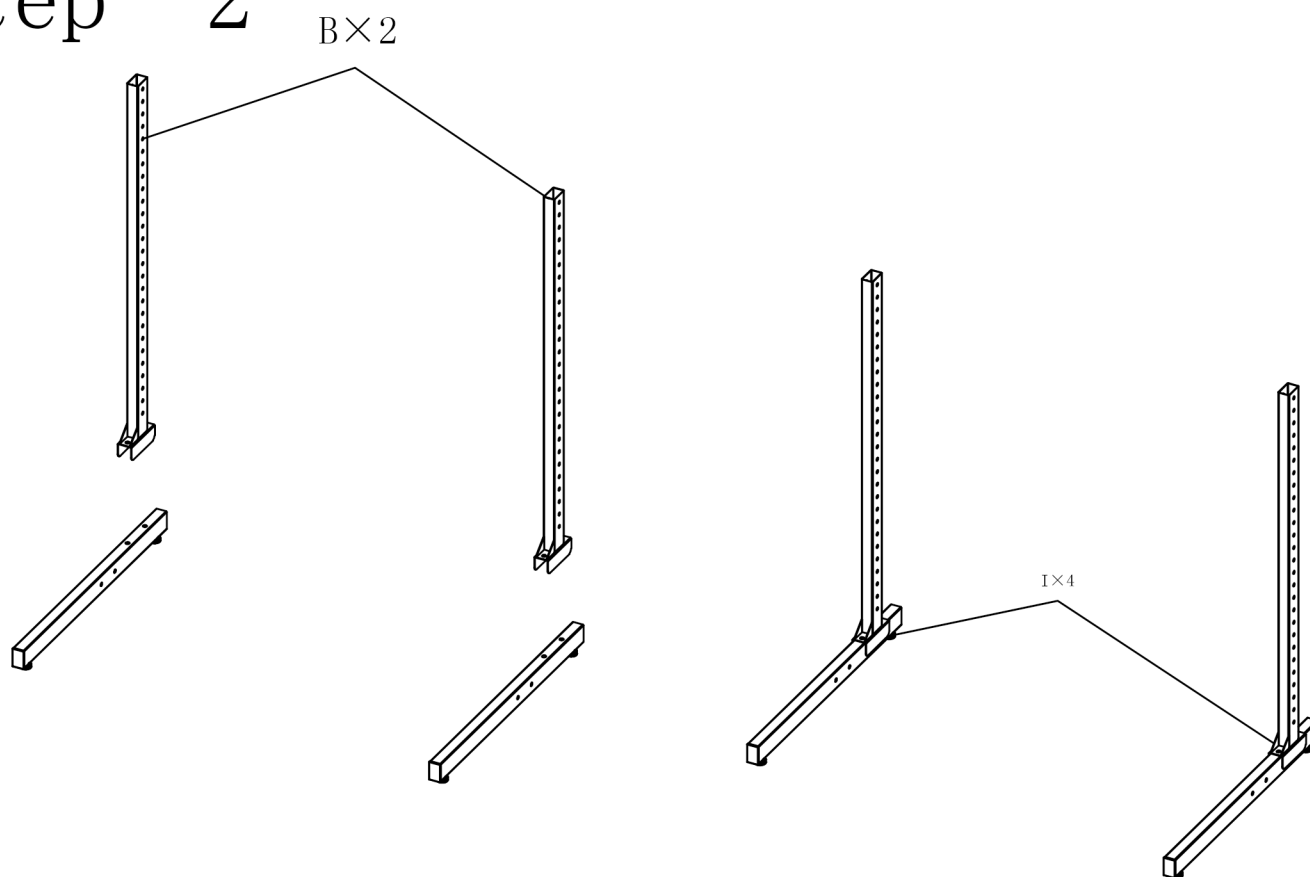
Step 1



$F/K \times 4$

$A \times 2$

Step 2

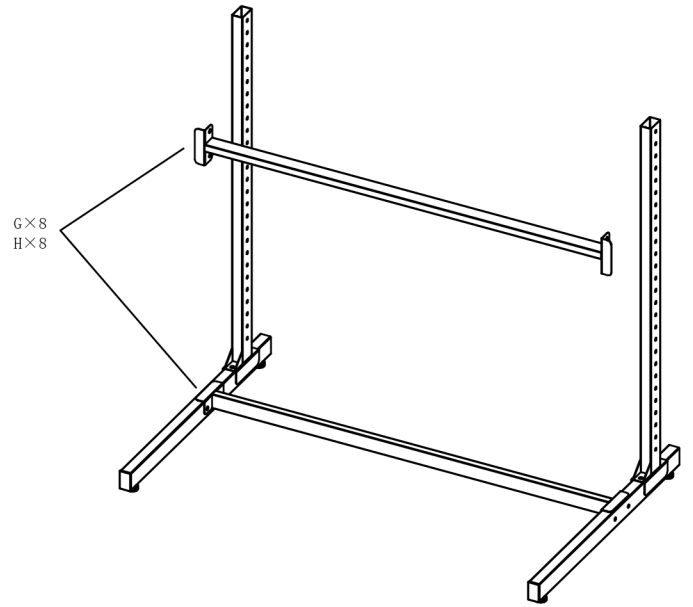
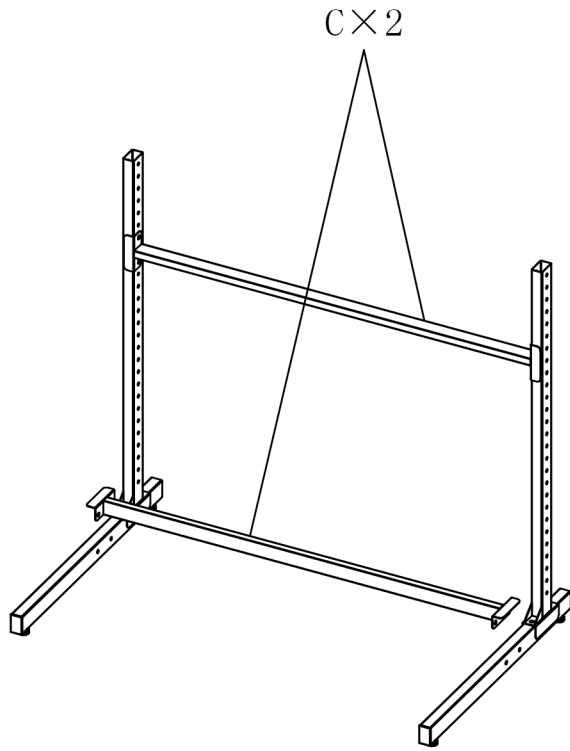


$B \times 2$

$I \times 4$

$H \times 4$

Step 3

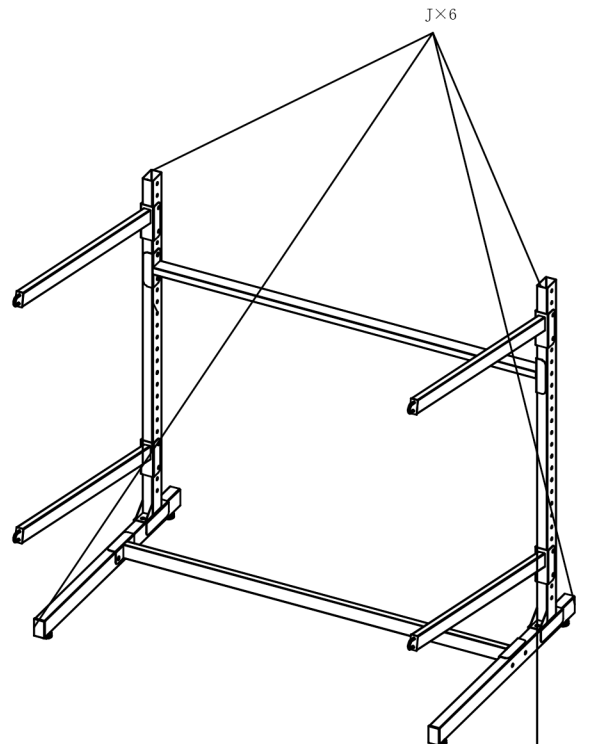
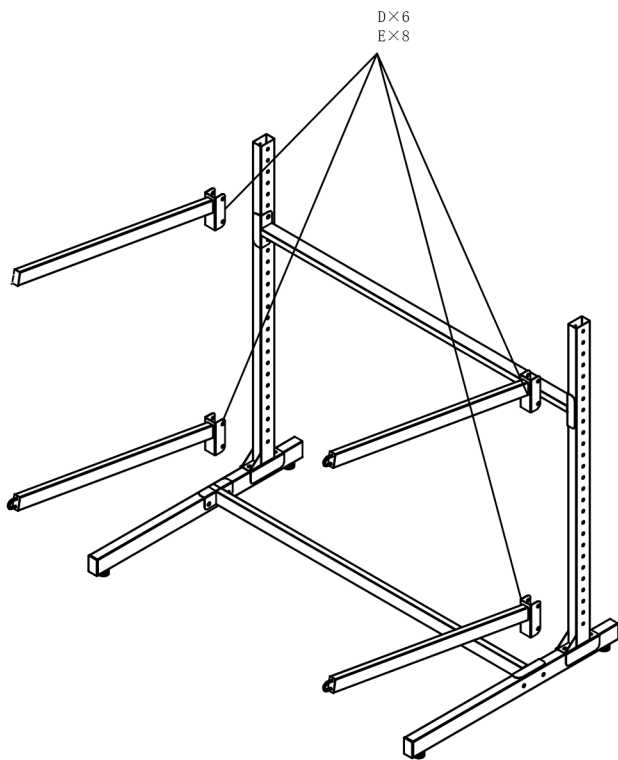


$G \times 8$

$H \times 8$

$C \times 2$

Step 4



$E \times 8$

$D \times 4$

$J \times 6$