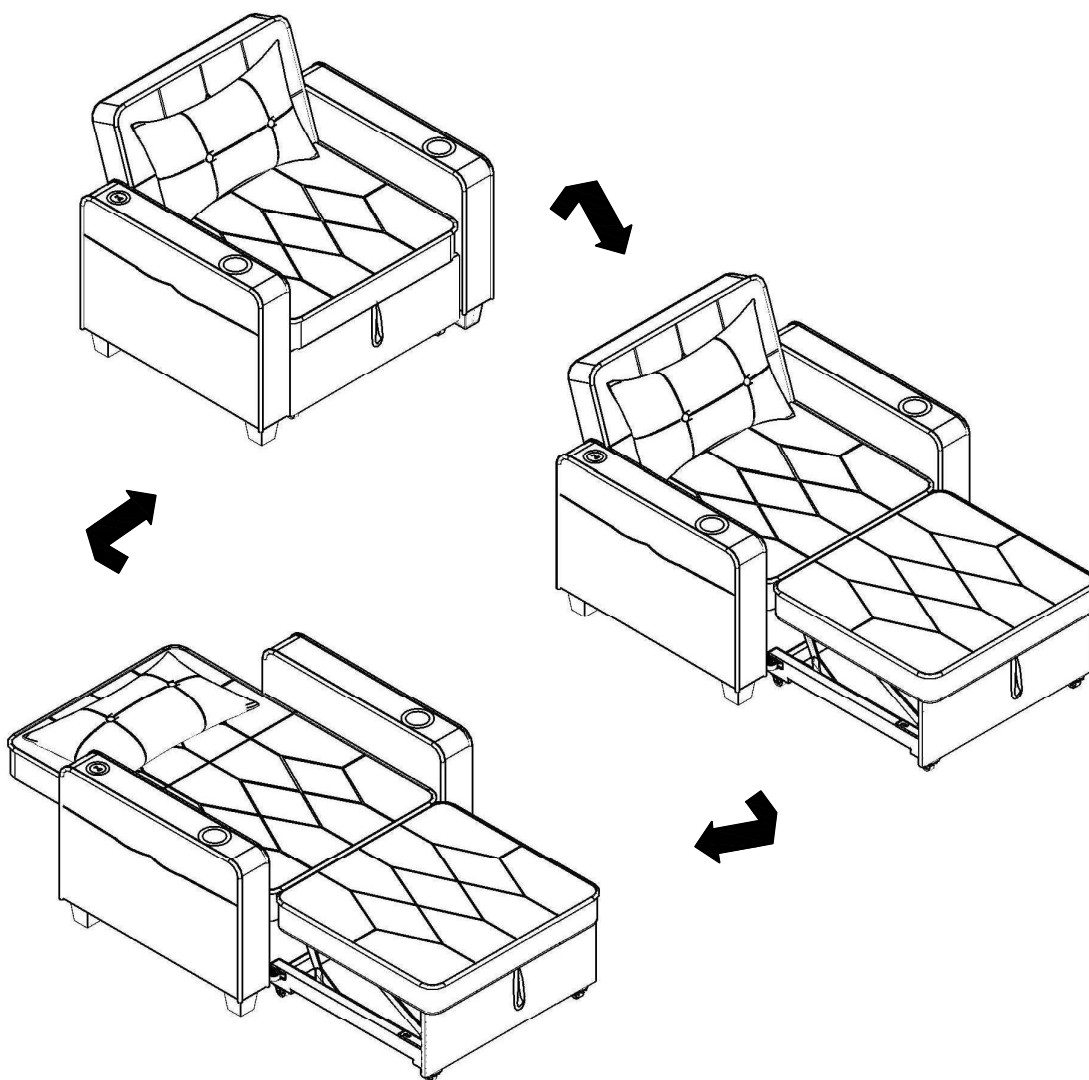
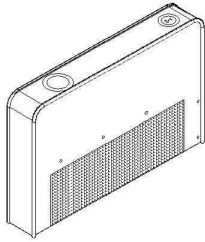


SINGLE SOFA



1

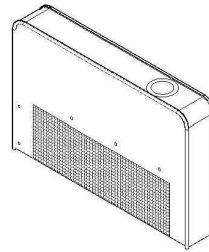
LEFT ARMREST



x1

2

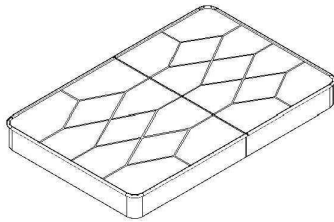
RIGHT ARMREST



x1

3

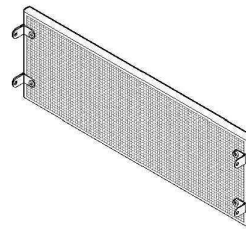
ADJUST SEAT CUSHION



x1

4

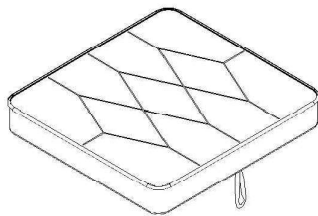
SEAT BACKBOARD



x1

5

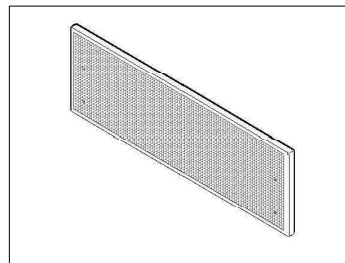
PEDAL SEAT BAG



x1

6

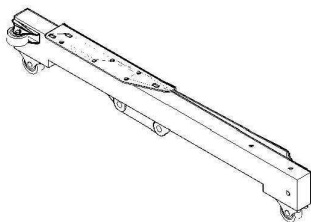
FOOT PEDAL PANEL



x1

7

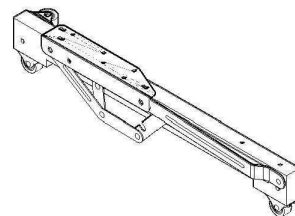
LEFT PULLEY WOODEN SQUARE



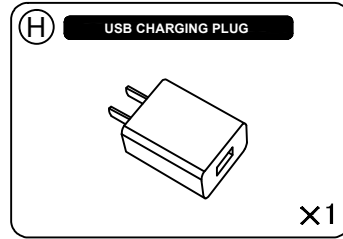
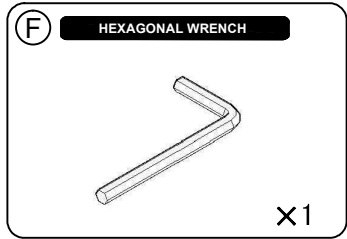
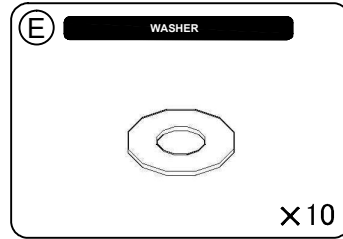
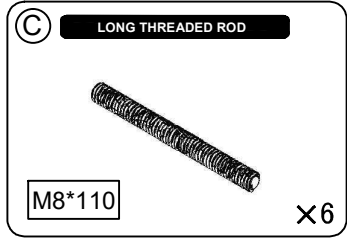
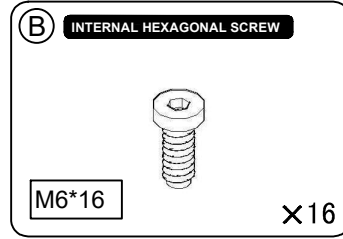
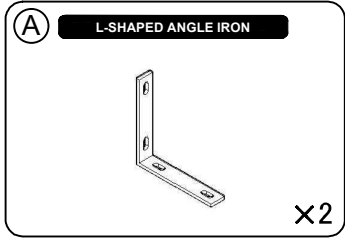
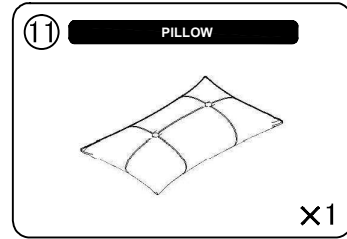
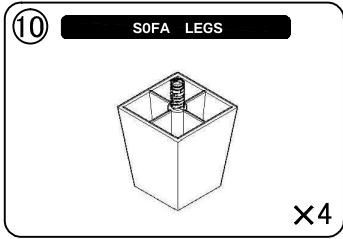
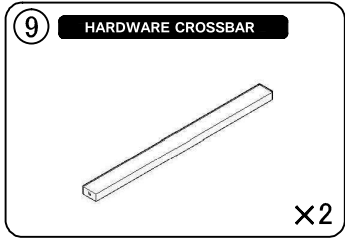
x1

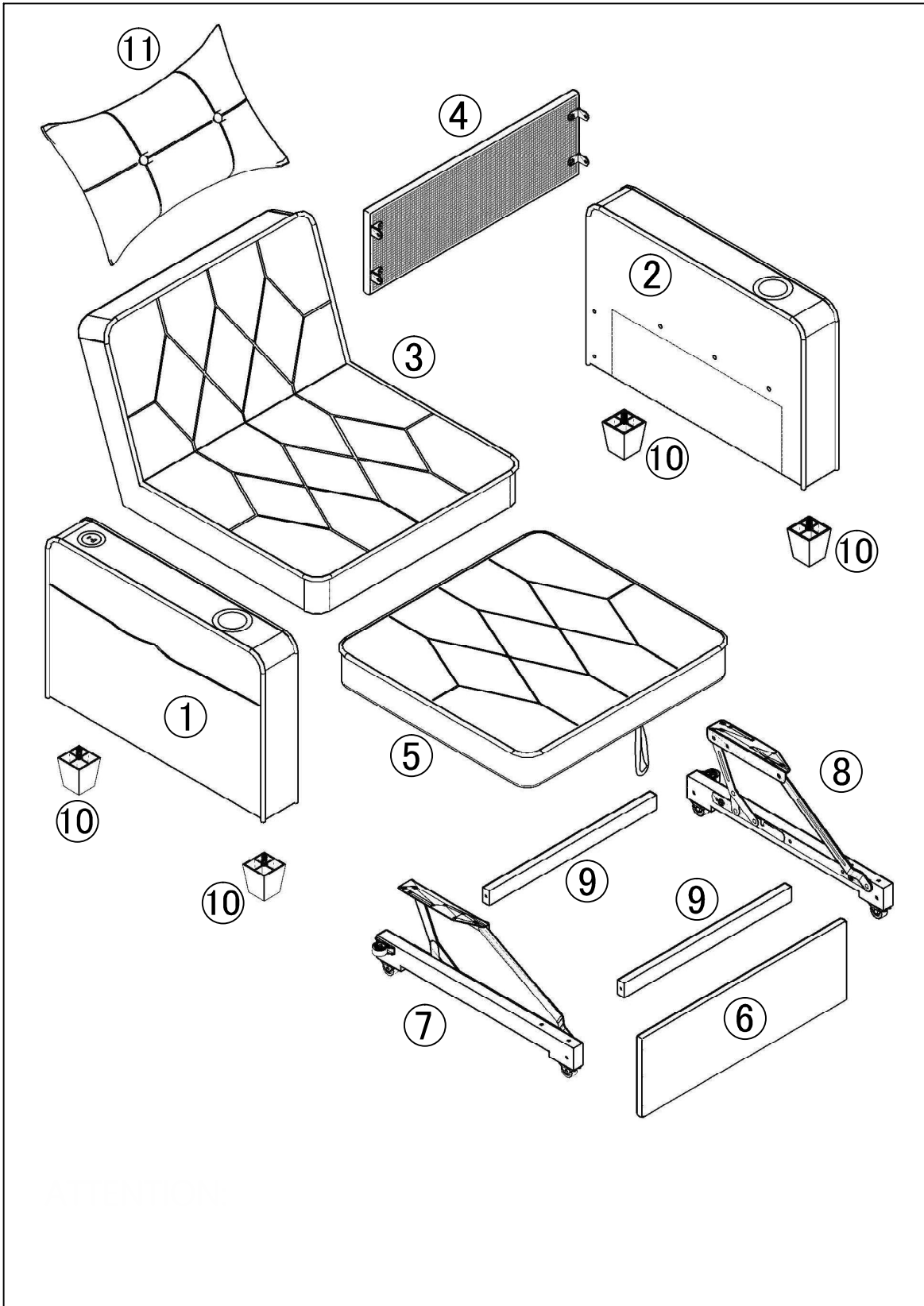
8

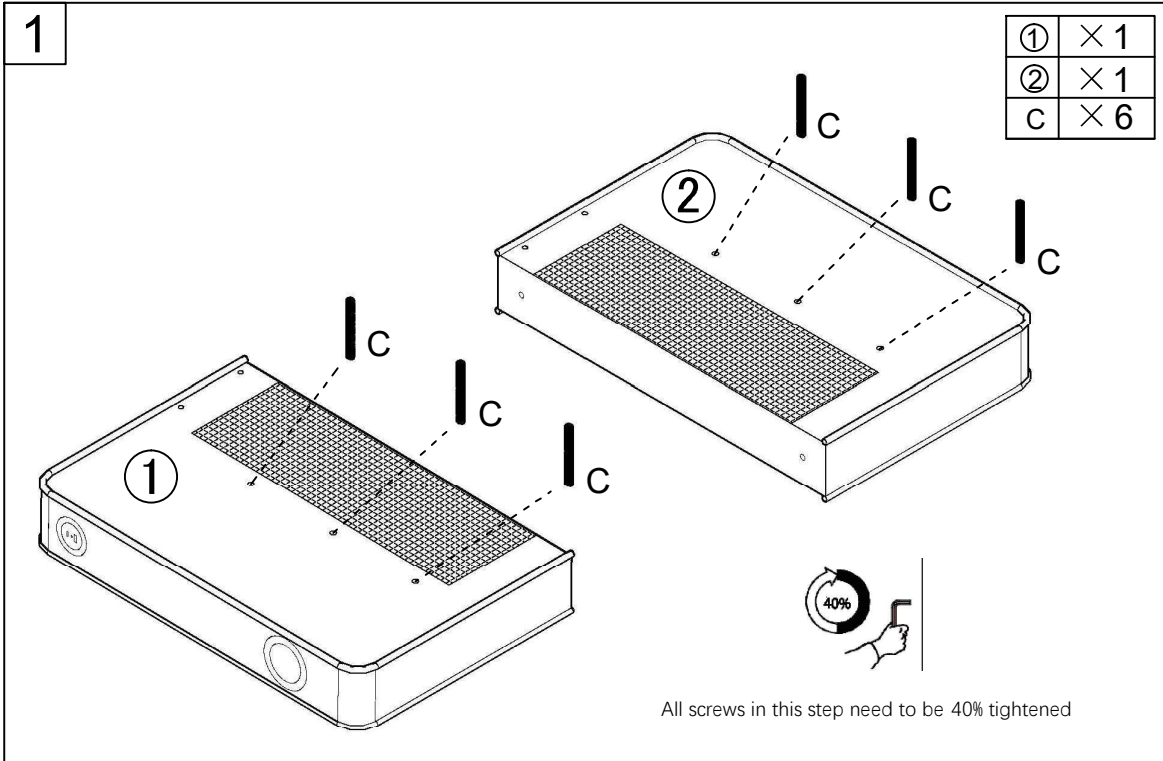
RIGHT PULLEY WOODEN SQUARE



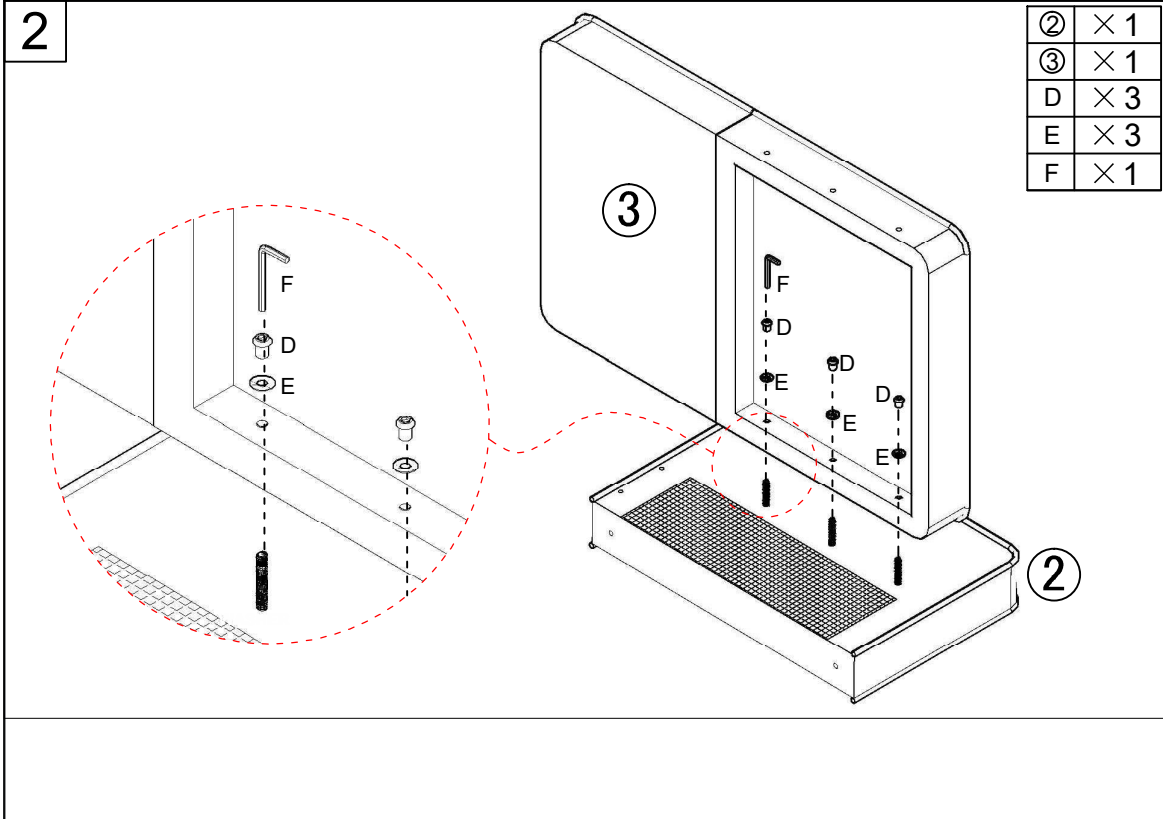
x1

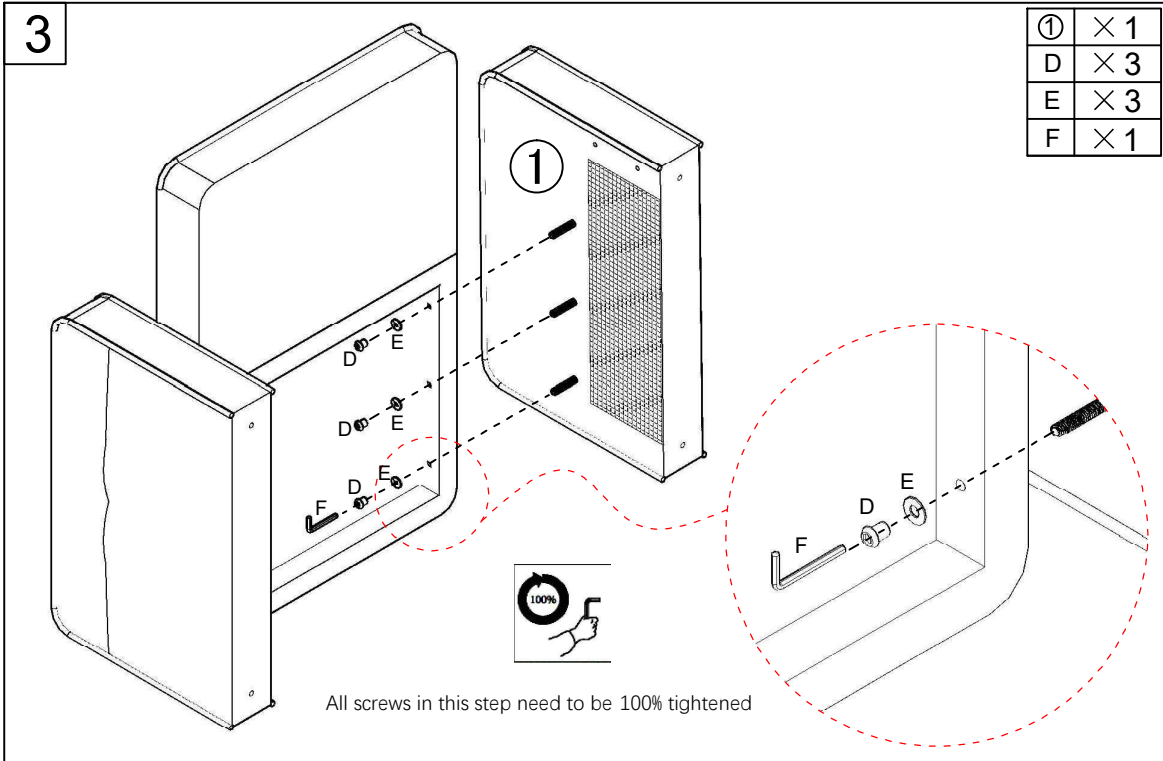




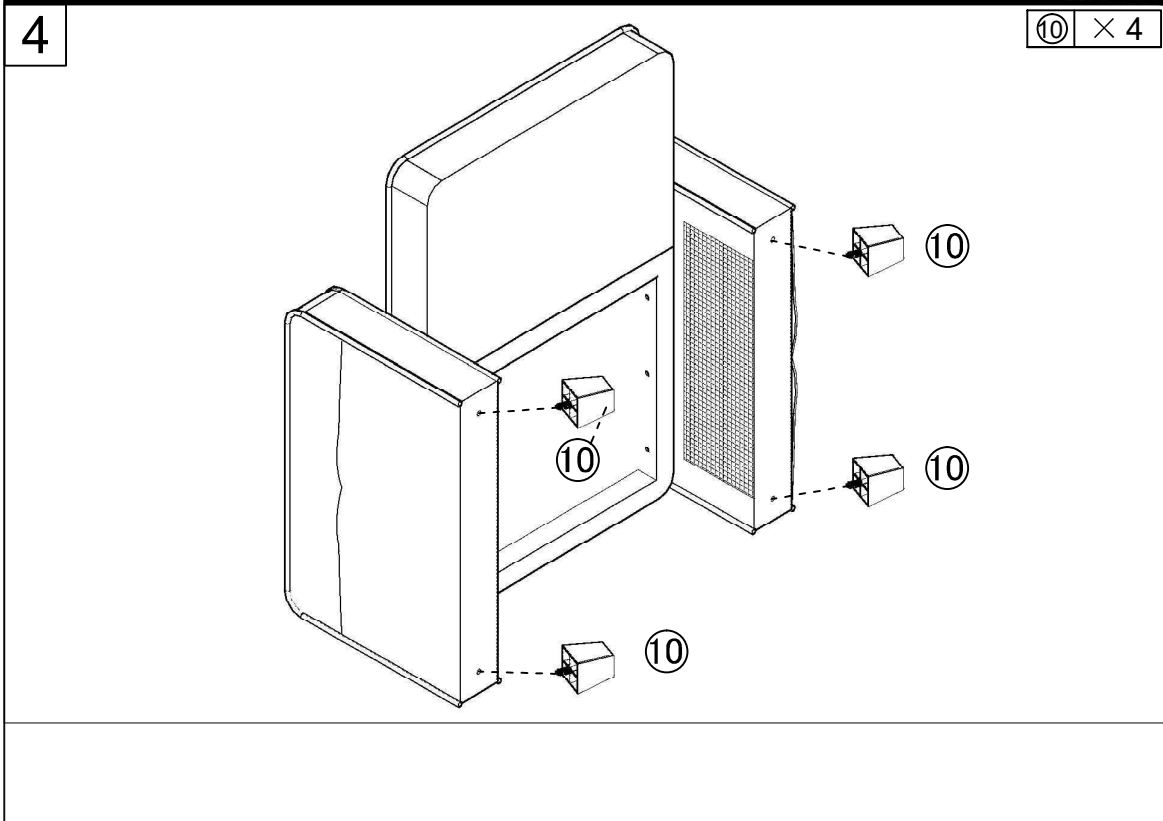


Lock the M8 * 110mm screw onto the armrest





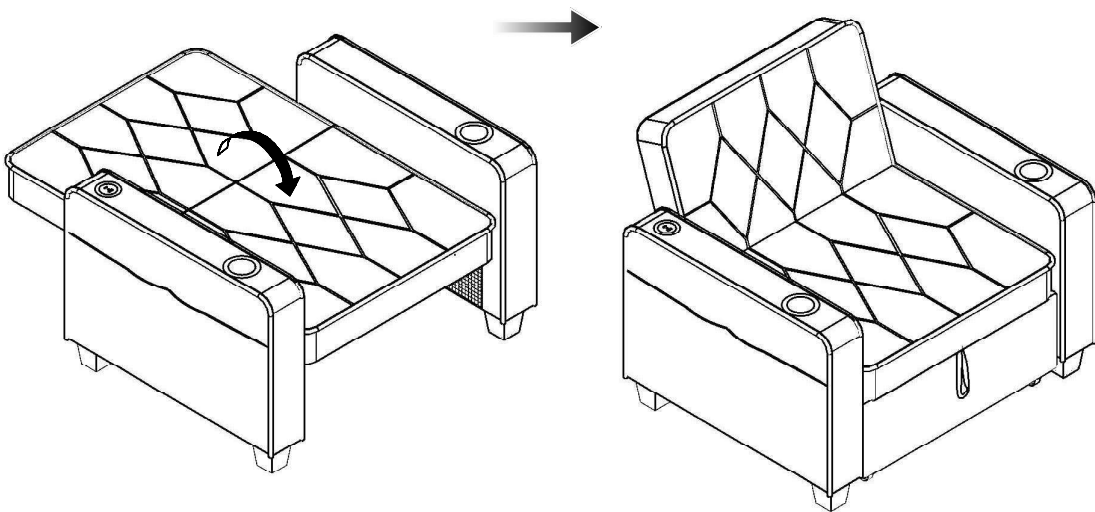
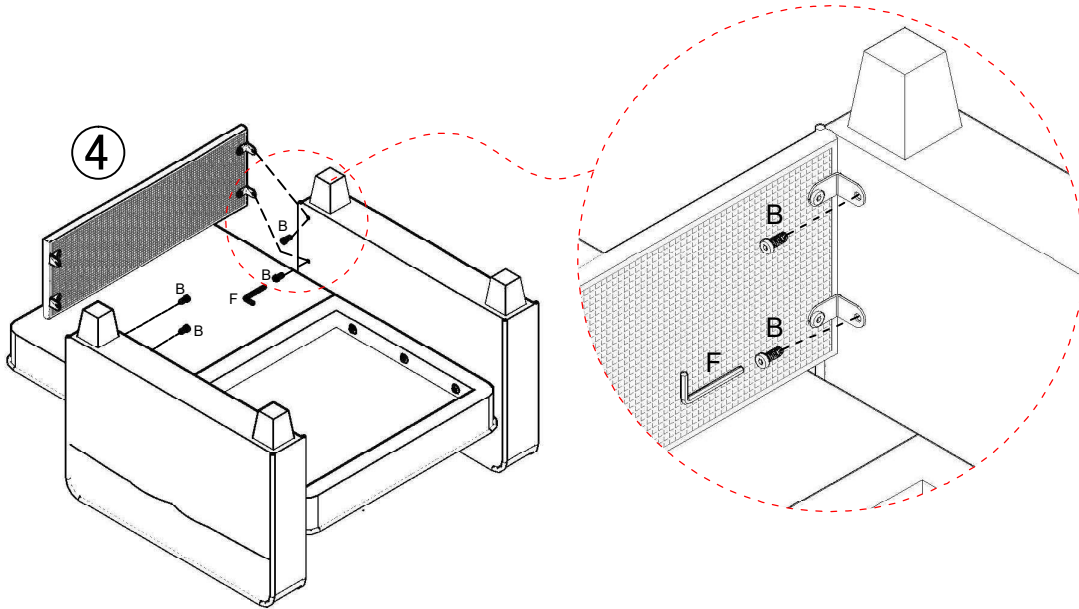
Fix the seat and sofa armrest with hexagonal tortoiseshell and padding

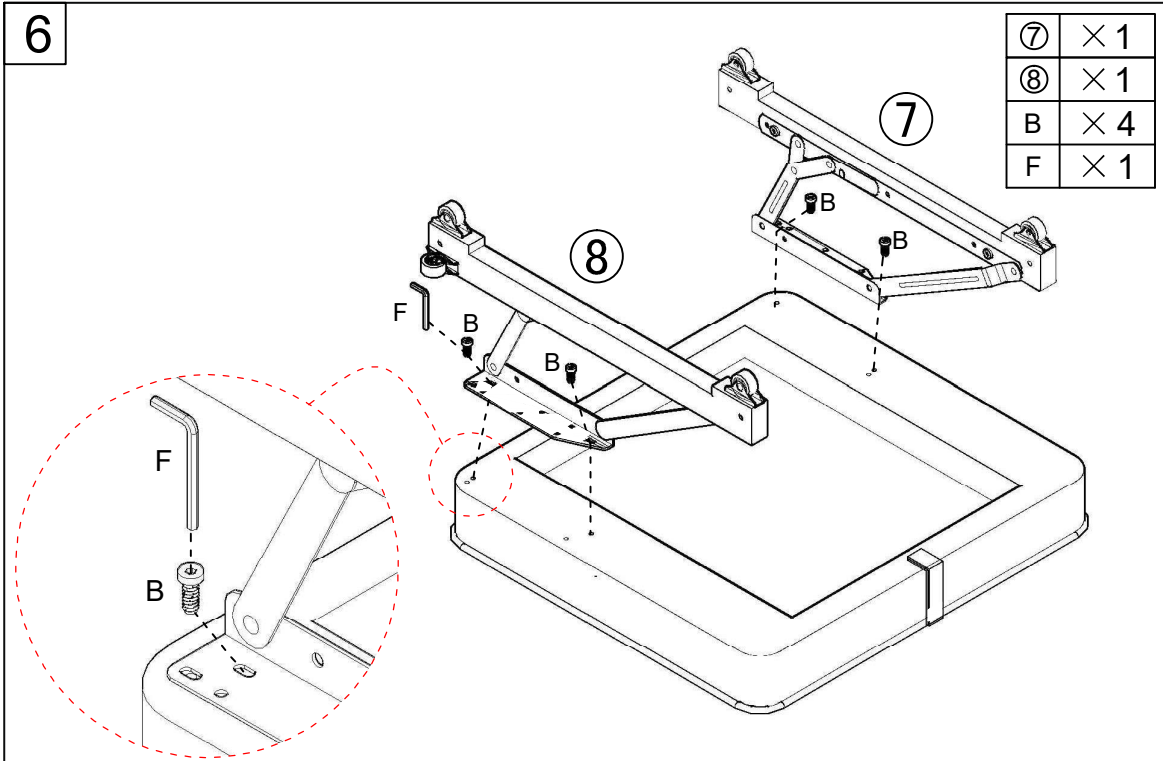


5

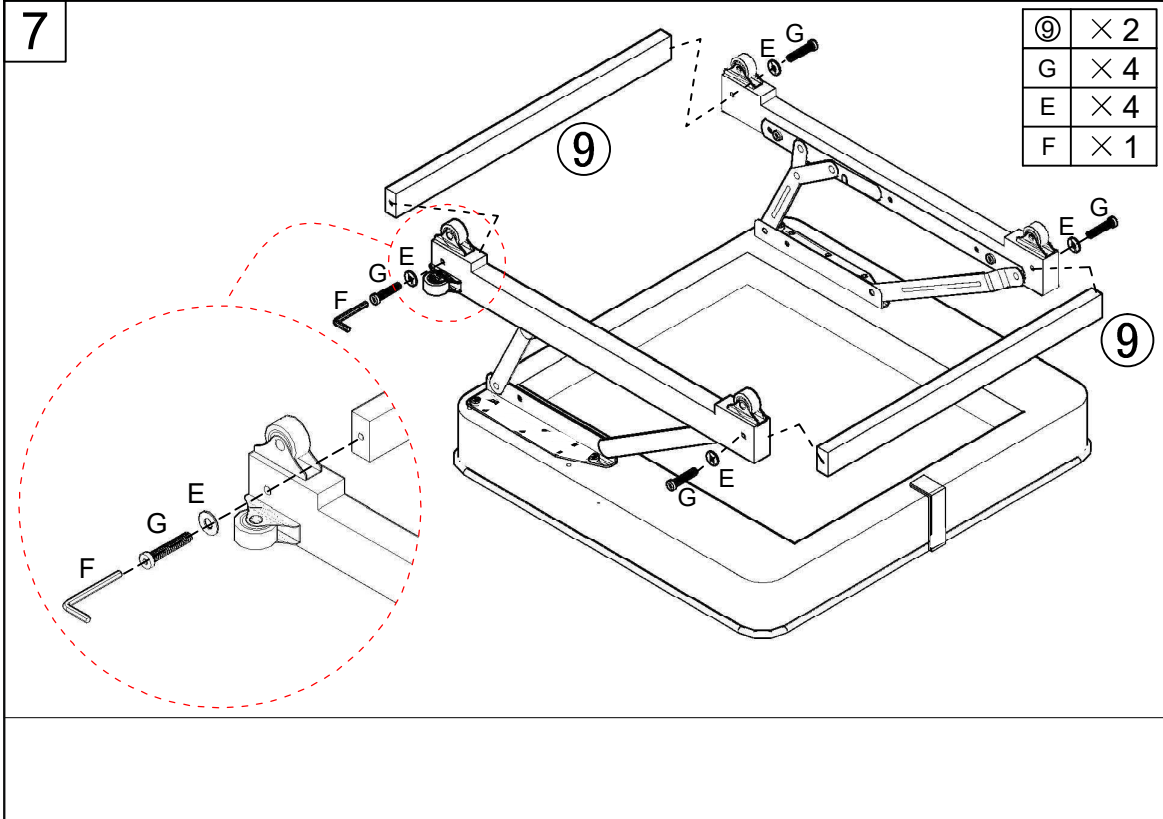
Four M6 screws first in this step need to be 50% tightened, again 100% tighten

④	× 1
B	× 4
F	× 1



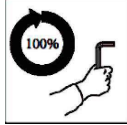


Lock the hardware lifter to the pulley wooden square with M6 * 16mm long screws

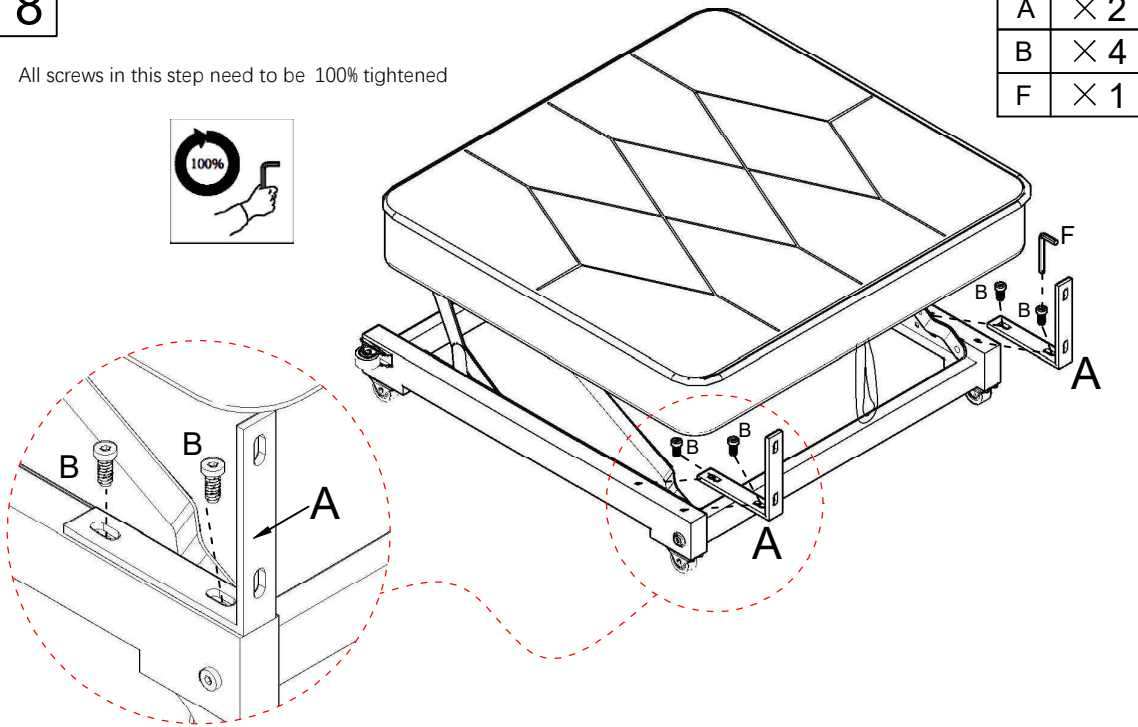


8

All screws in this step need to be 100% tightened



A	× 2
B	× 4
F	× 1

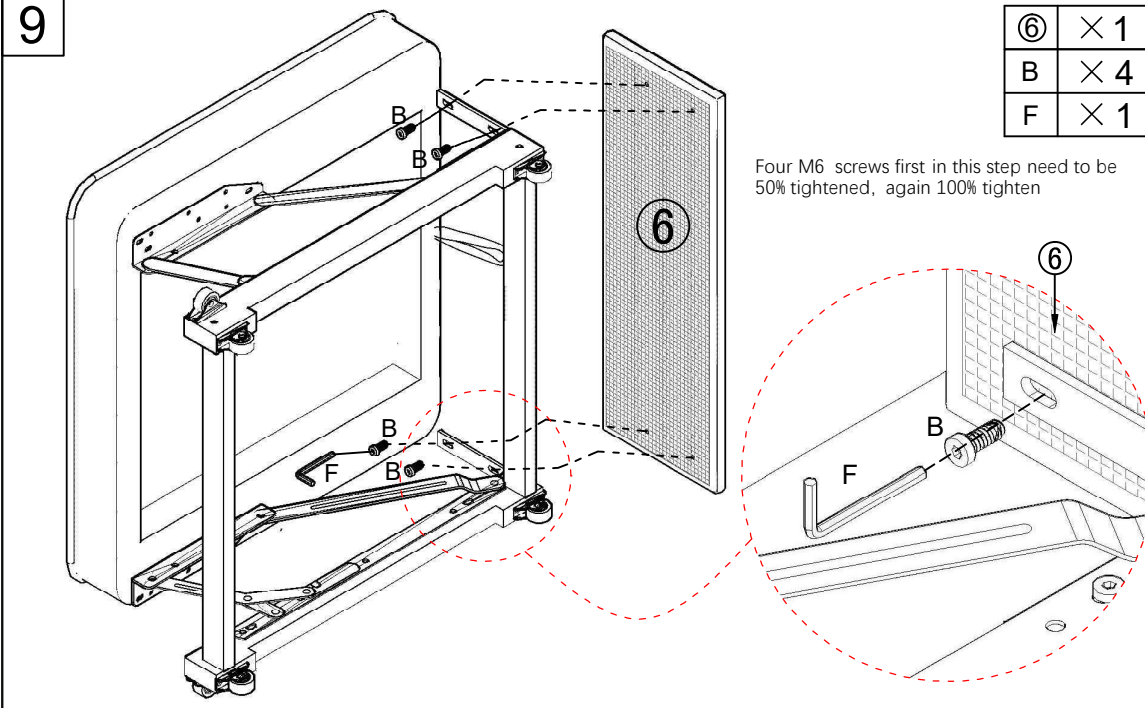


The L-shaped angle iron is locked to the pulley wooden square with M6 * 16mm long screws

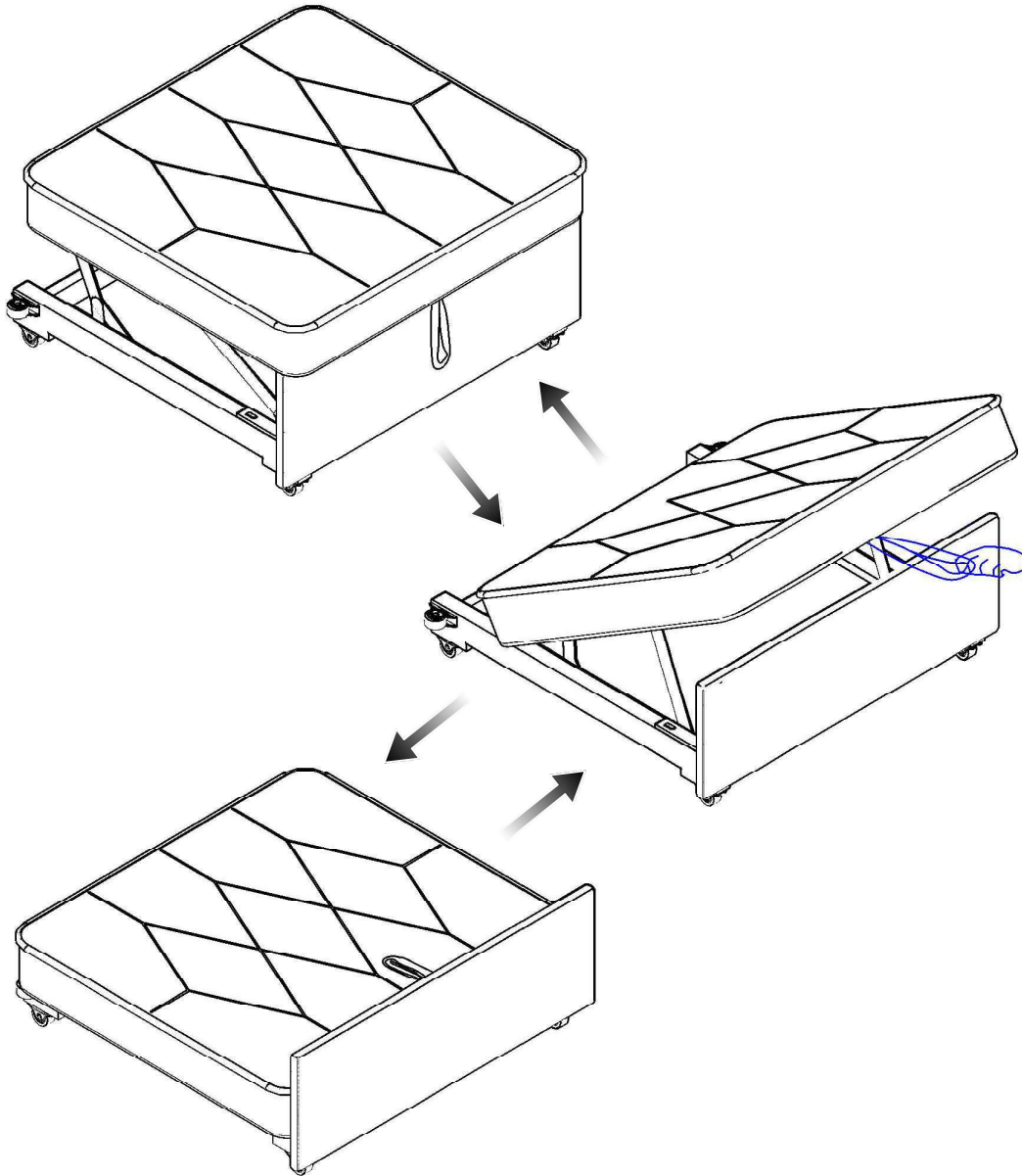
9

⑥	× 1
B	× 4
F	× 1

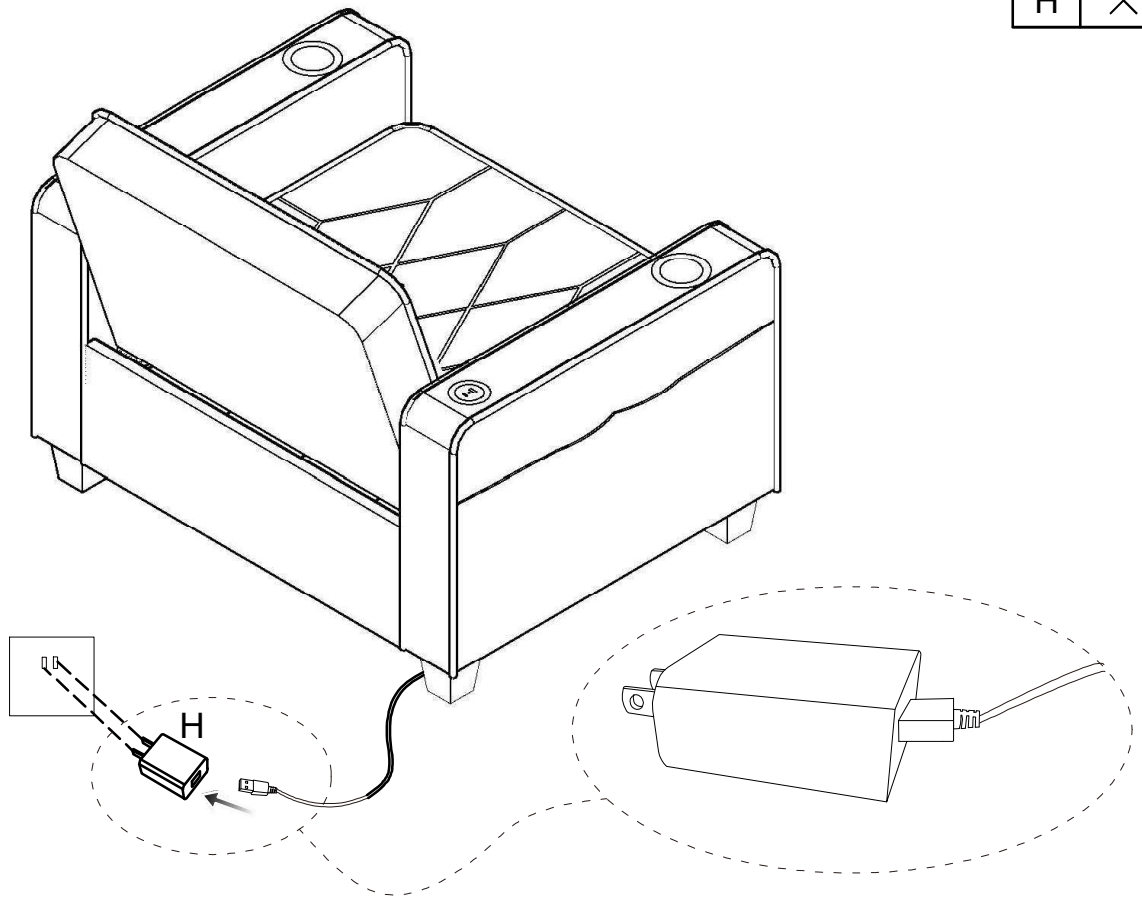
Four M6 screws first in this step need to be 50% tightened, again 100% tighten



FOOT OPERATED LIFTING METHOD



H × 1



Insert the sofa USB cable into the charging plug, Insert the charging plug into the external power source again